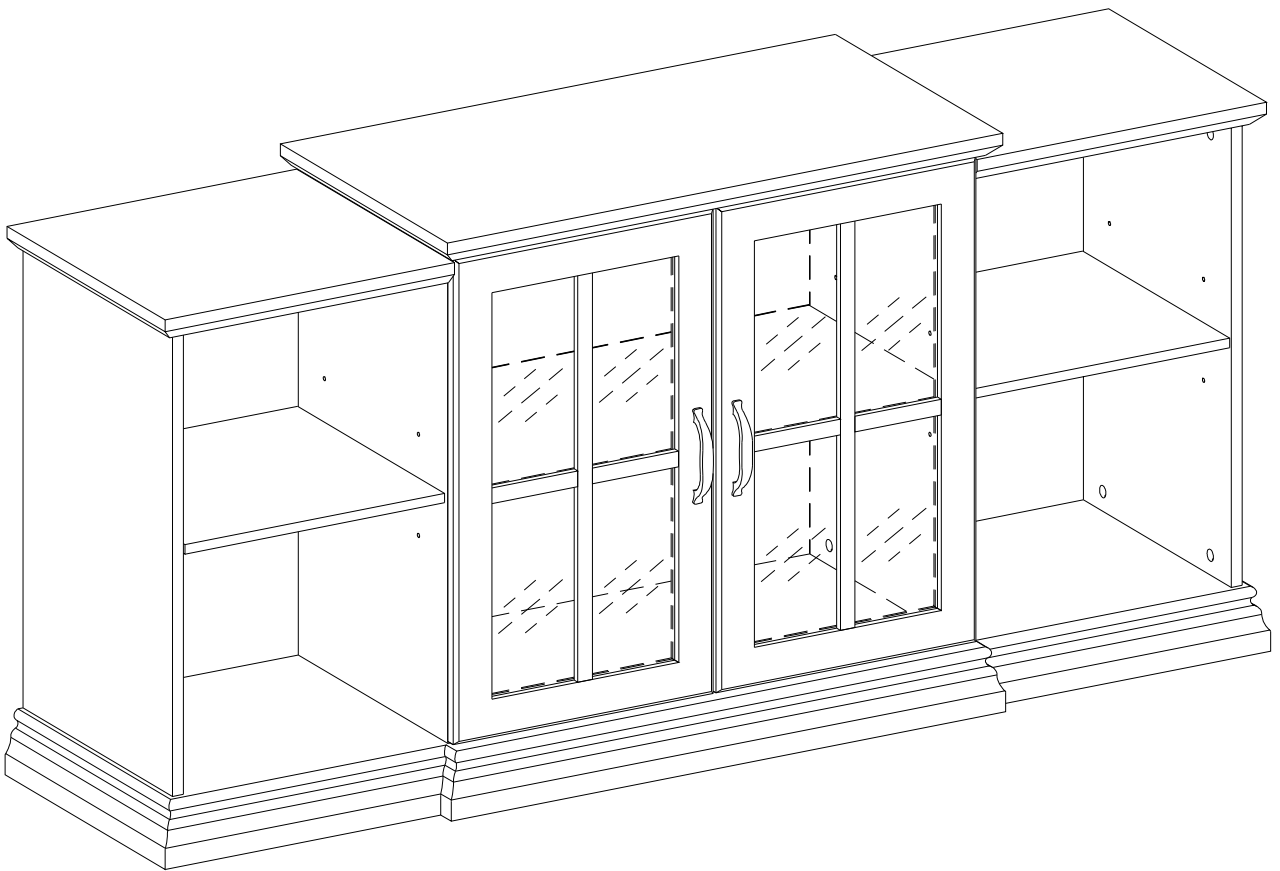


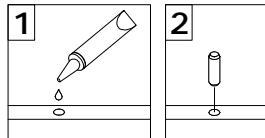
# Assembly Instructions



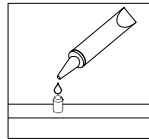
*Please visit our website for the most current instructions, assembly tips, report damage, or request parts.*

# General Assembly Guidelines

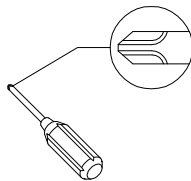
- I. Ensure that all parts and hardware are available before beginning assembly.
- II. Follow each step carefully to ensure the proper assembly of this product.
- III. Two people are recommended for ease in the assembly of this product.
- IV. The three main types of hardware used to assemble this product are: wood dowels, screws and bolts.
- V. The provided glue is to secure wood dowels in place. When first inserting dowels, locate the appropriate hole for the dowel, place a small amount of glue in the hole and insert the dowel. Wipe away excess glue immediately.



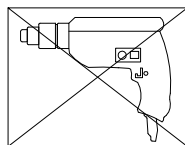
In future assembly steps when dowels are necessary to attach assembly parts together, place a small amount of glue on the end of the dowel before attaching parts together. Wipe away excess glue immediately.



- VI. A Phillips head screwdriver is required for the assembly of this product.

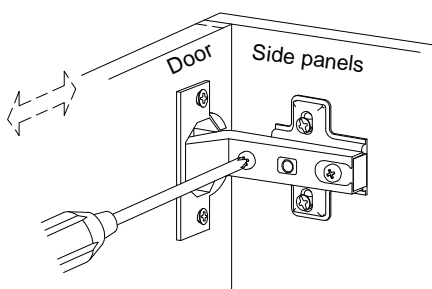


- VII. Power tools should not be used to assemble this product.

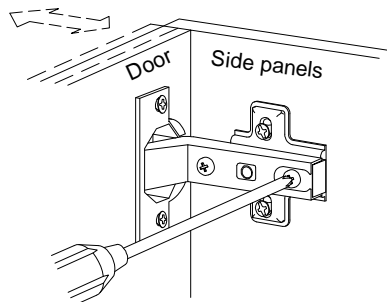


- VIII. Drill may be needed for securing product to wall.

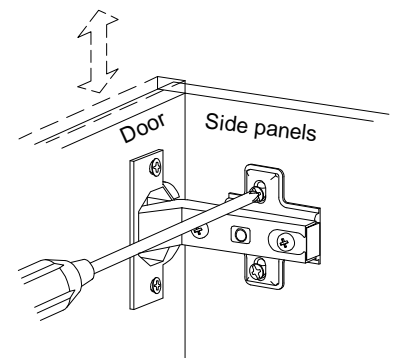
- IX. Concealed hinges are three-way adjustable.



Horizontal  
by screw adjustment

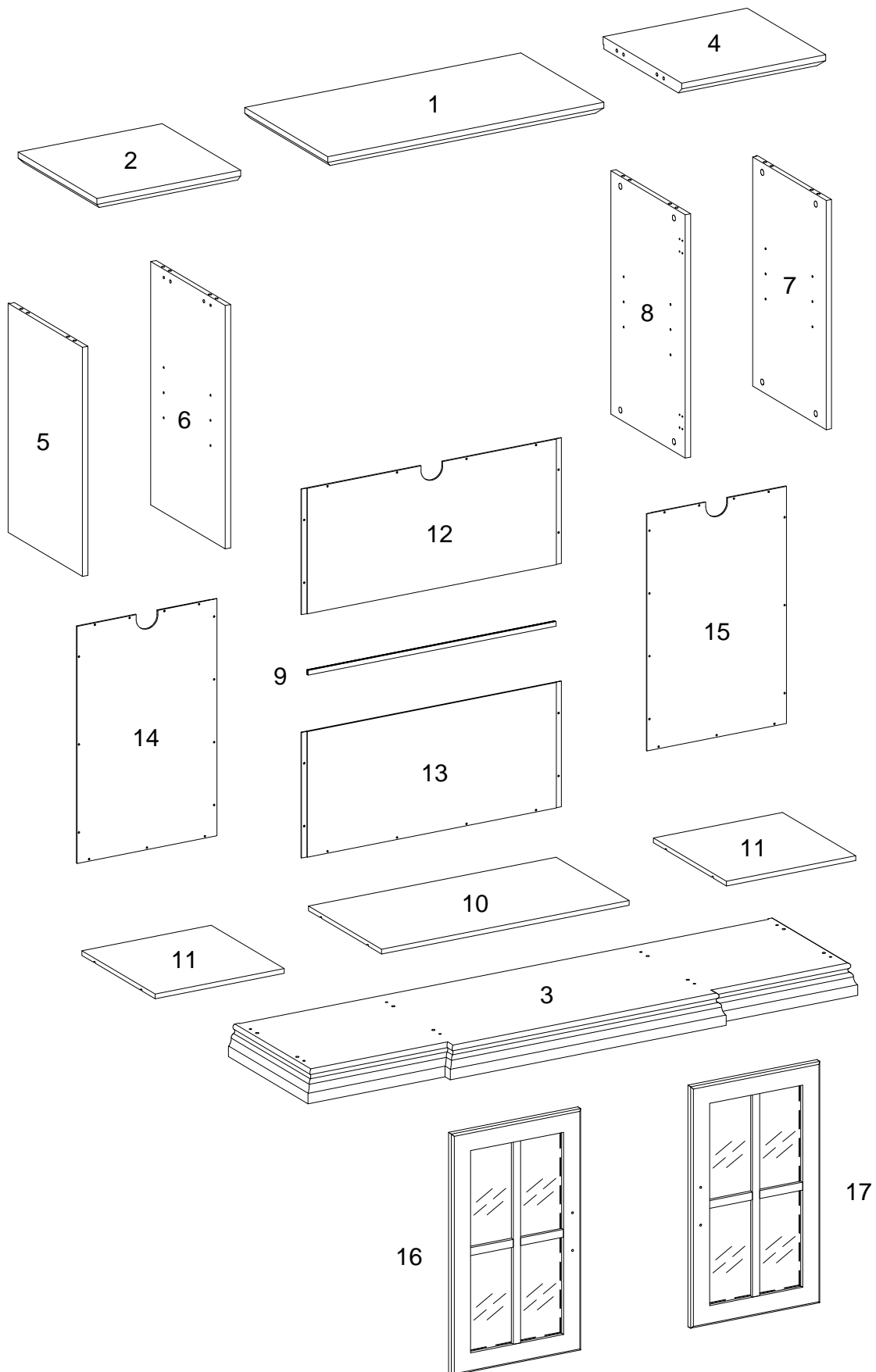


In-and-Out  
by loosening the hinge-arm  
mounting screw or via cam  
adjustment


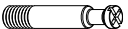






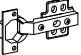



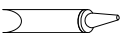


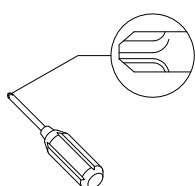
Vertical  
Via slots in the mounting  
plate or via cam adjustment

# Parts List



# Hardware List

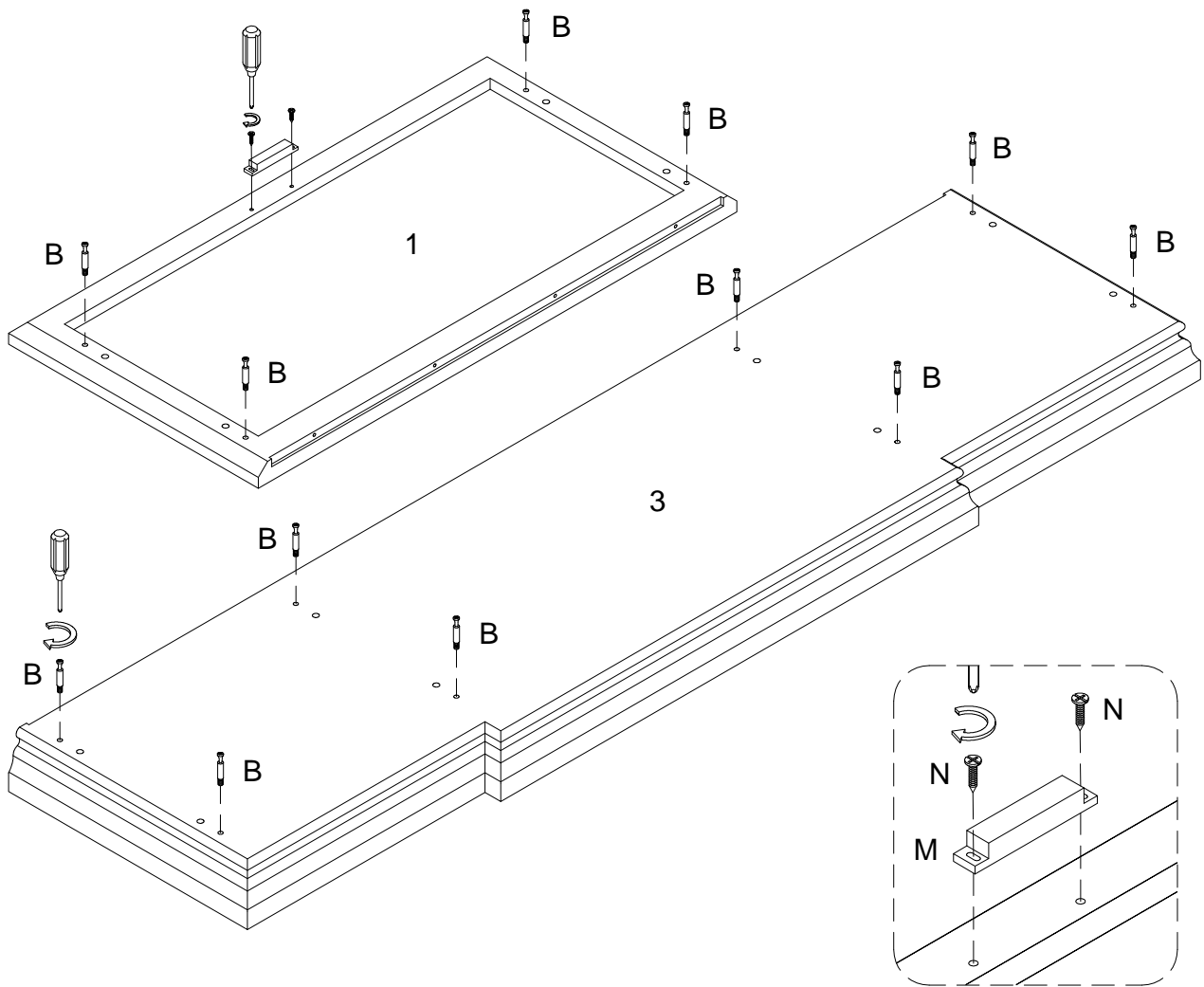
A		Ø8x30mm	Wooden dowel	20 pcs
B		Ø6x32mm	Cam bolt	20 pcs
C		Ø15x10mm	Cam lock	20 pcs
D		Ø30mm	Sticker	20 pcs
E		Ø8x5x16mm	Shelf support pin	12 pcs
F		Ø3x12mm	Screw	36 pcs
G			Handle	2 pcs
H		Ø4x18mm	Handle bolt	4 pcs
J			Hinge	4 pcs
K		Ø4x12mm	Bolt	24 pcs
M			Door stopper	1 pc
N		Ø3x16mm	Screw	2 pc
P			Glue tube	1 pc



Philips head screwdriver required for assembly  
(not included)

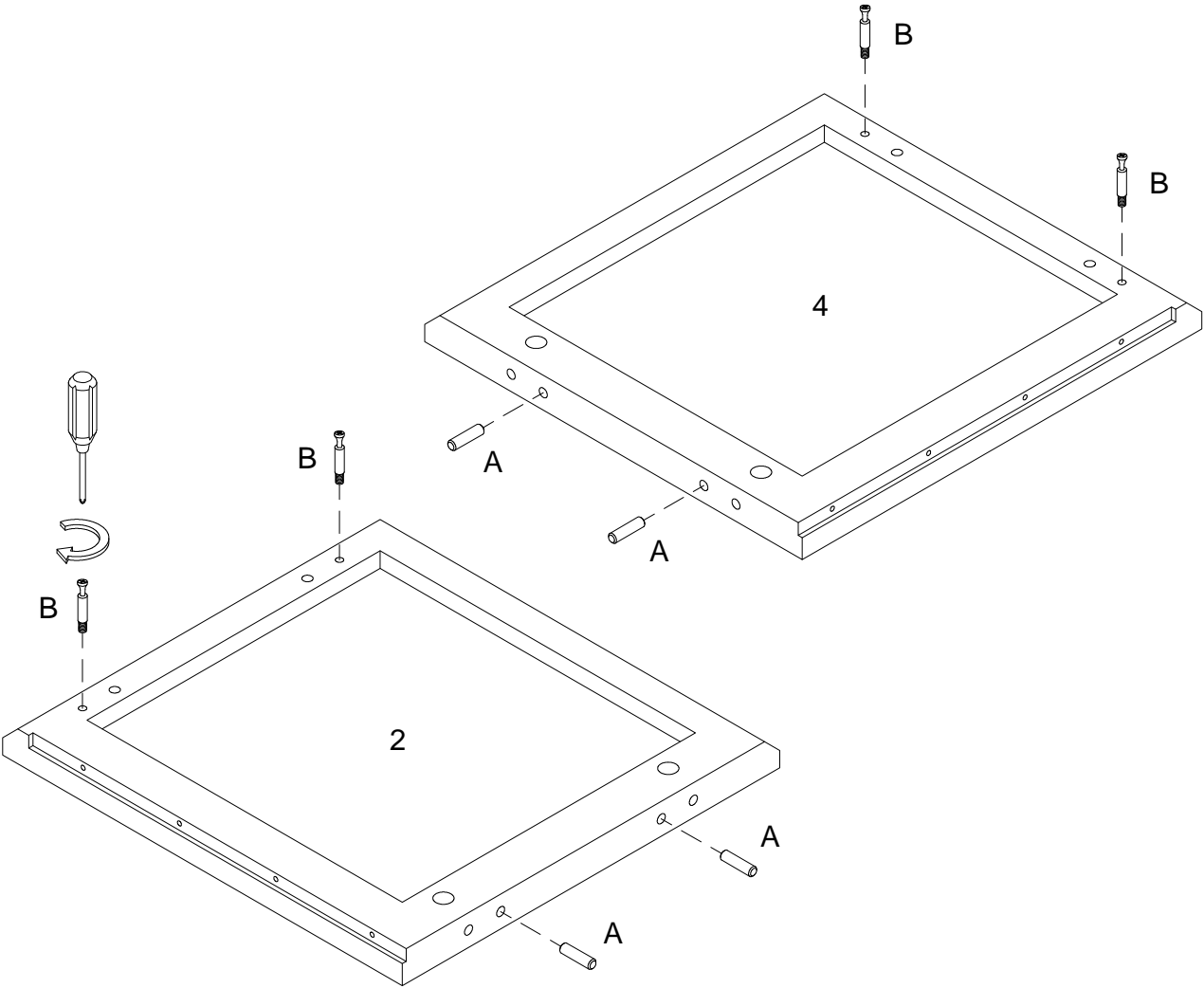
*The hardware quantities listed above are required for proper assembly.  
Some extra hardware may also have been included.*

# Step 1



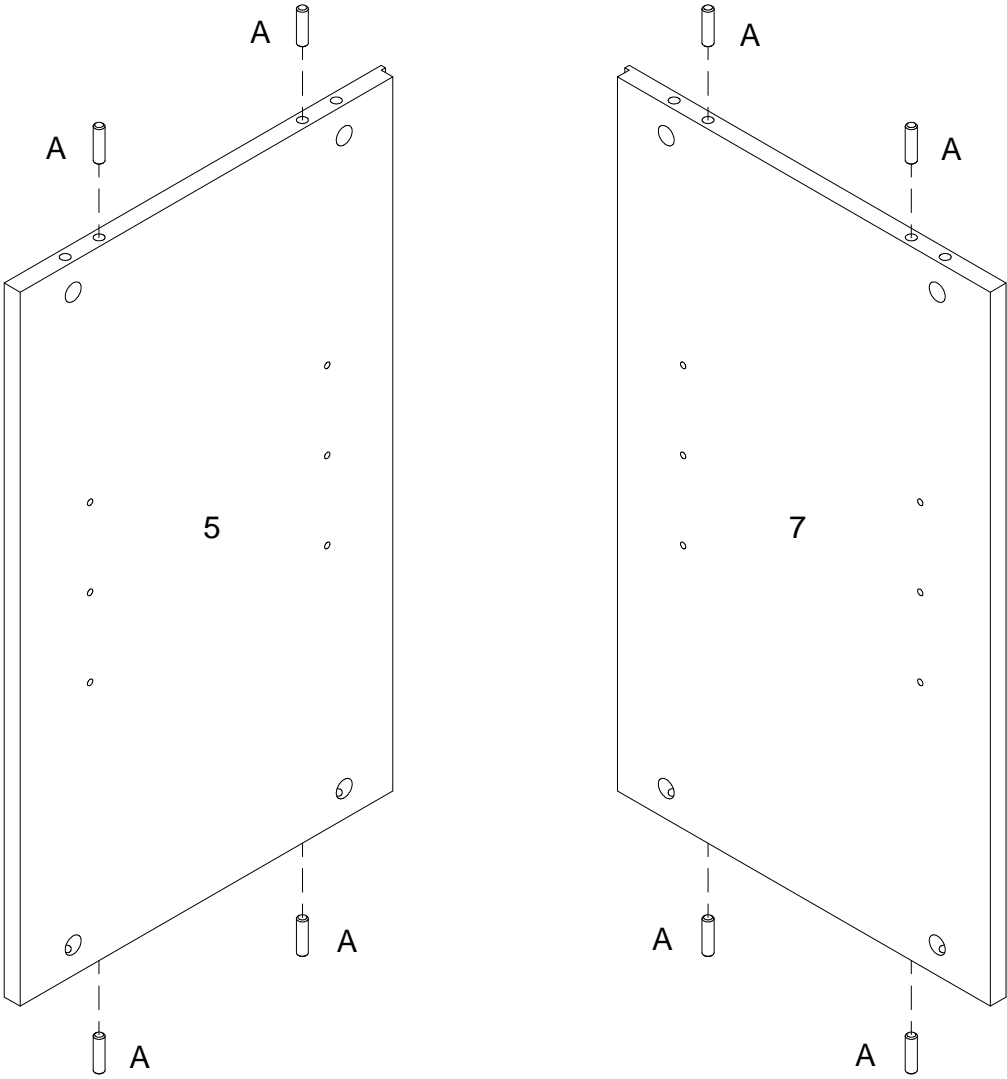
Insert cam bolt (B) into part (1,3) secure with Philips screwdriver, using screw (N) secure door stopper (M) secure to part (1) with Philips screwdriver as per diagram.

# Step 2



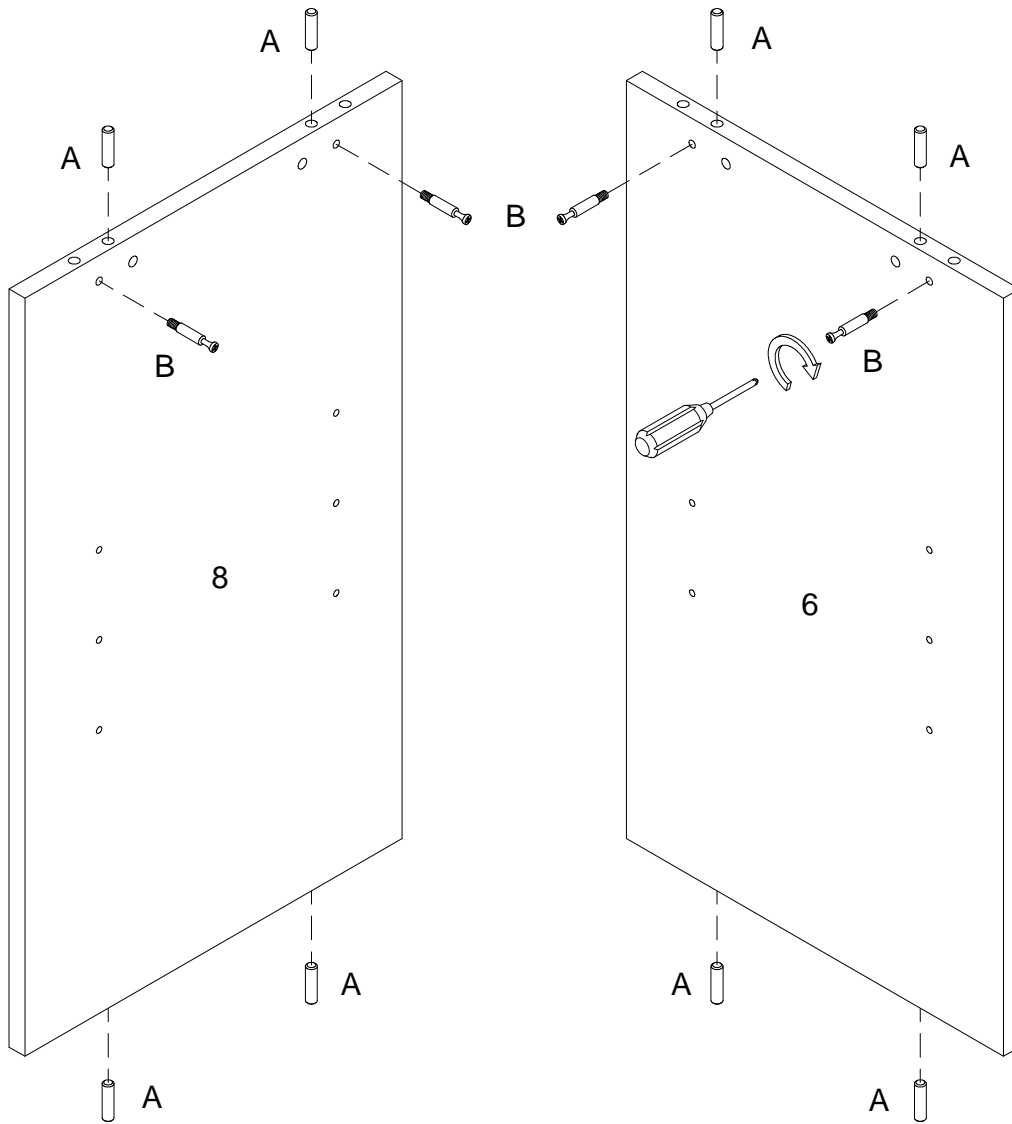
Insert cam bolt (B) into part (2,4) secure with Philips screwdriver, insert wooden dowel (A) to part (2,4) as per diagram.

# Step 3



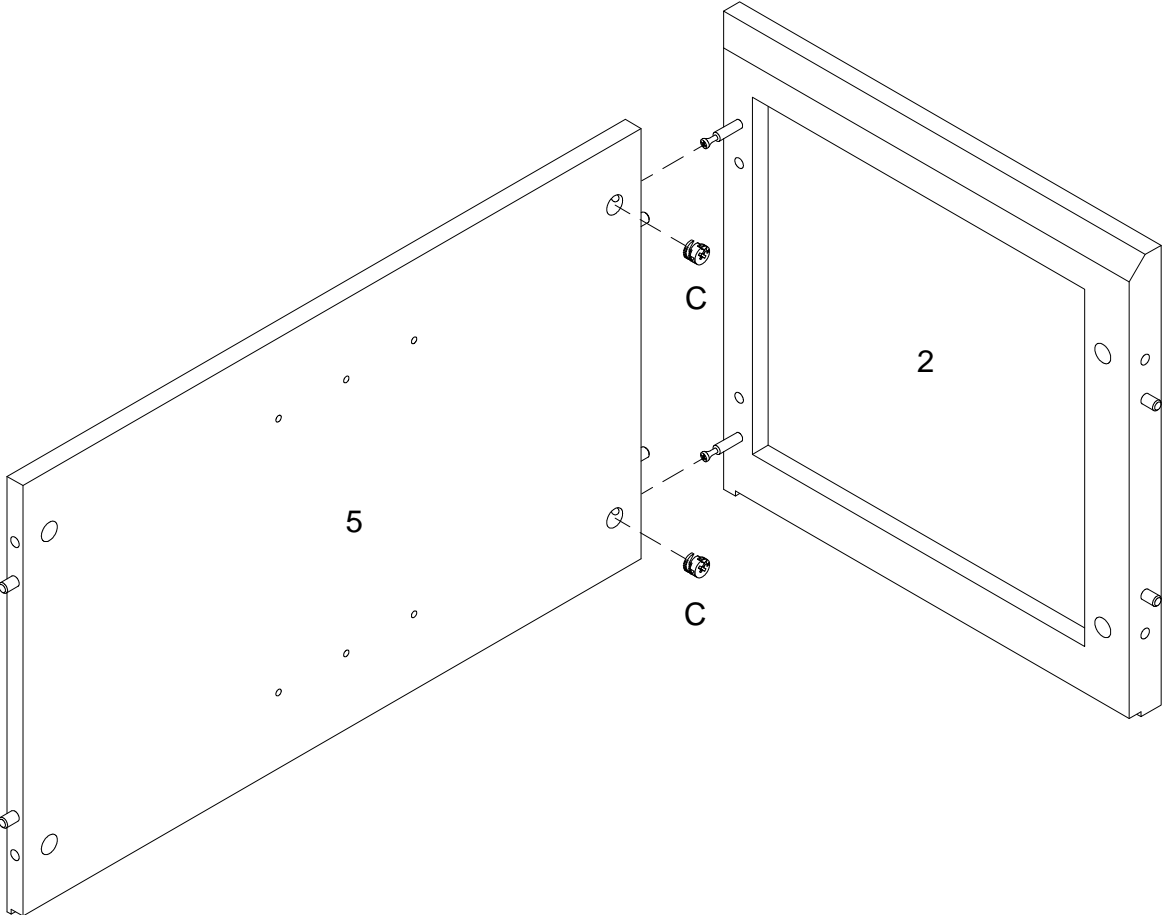
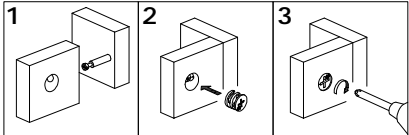
Insert Wooden dowel (A) into part (5,7) as per diagram

# Step 4



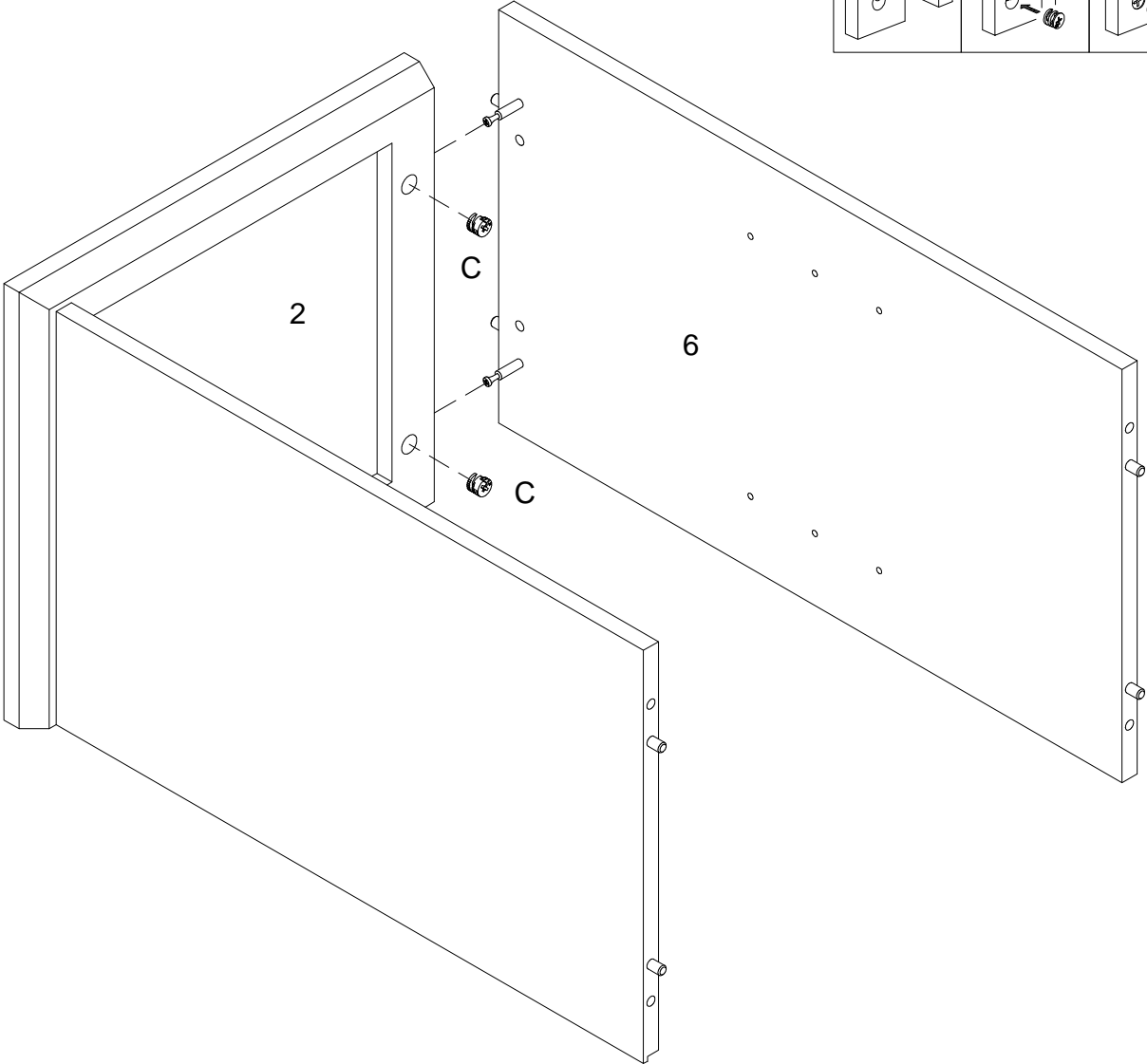
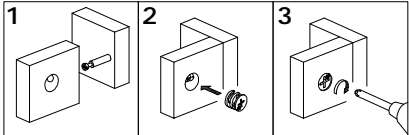
Insert wooden dowel (A) into part (6,8), Insert cam bolt (B) into part (6,8) secure with Philips screwdriver .

# Step 5



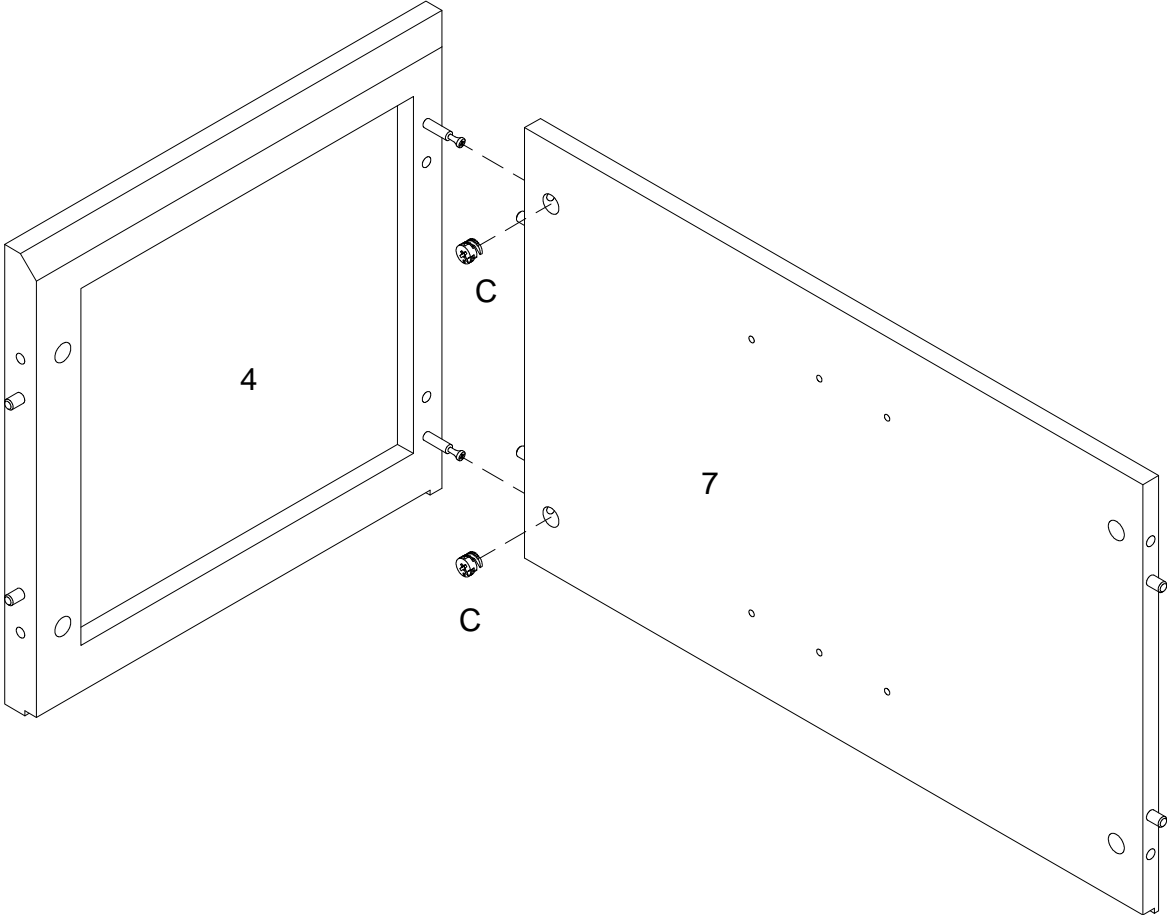
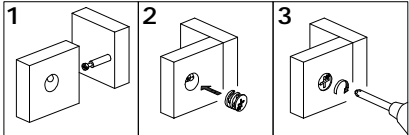
Using cam lock (C) secure part (2) into part (5) with Philips screwdriver as per diagram.

# Step 6



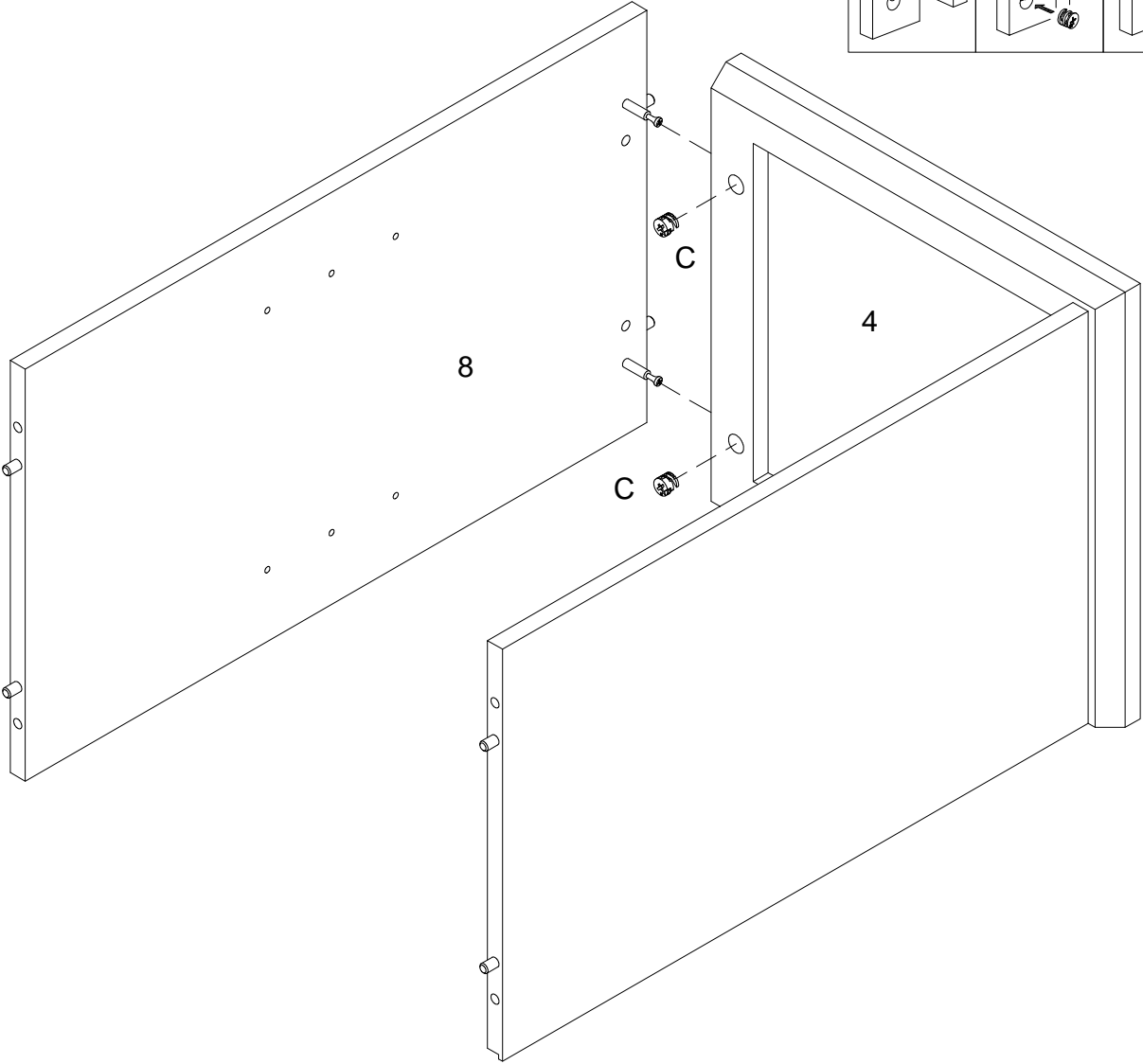
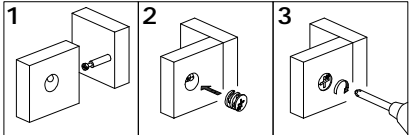
Using cam lock (C) secure part (6) into part (2) with Philips screwdriver as per diagram.

# Step 7



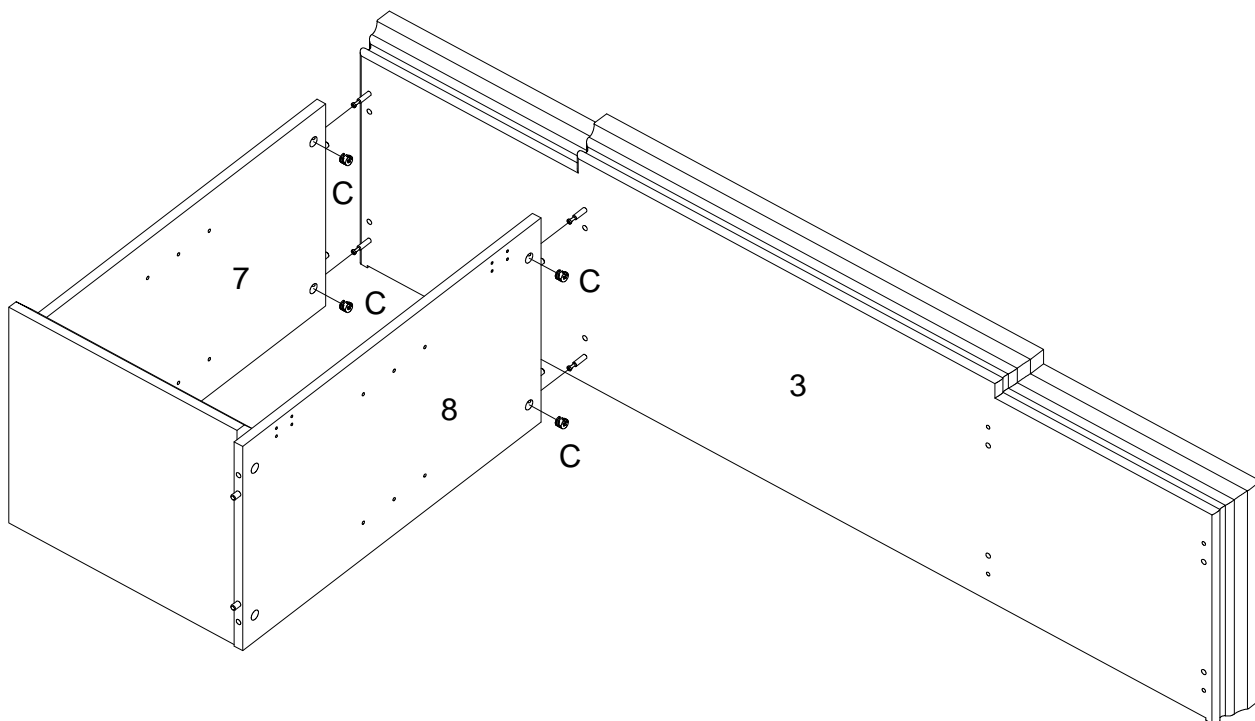
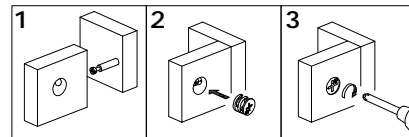
Using cam lock (C) secure part (7) into part (4) with Philips screwdriver as per diagram.

# Step 8



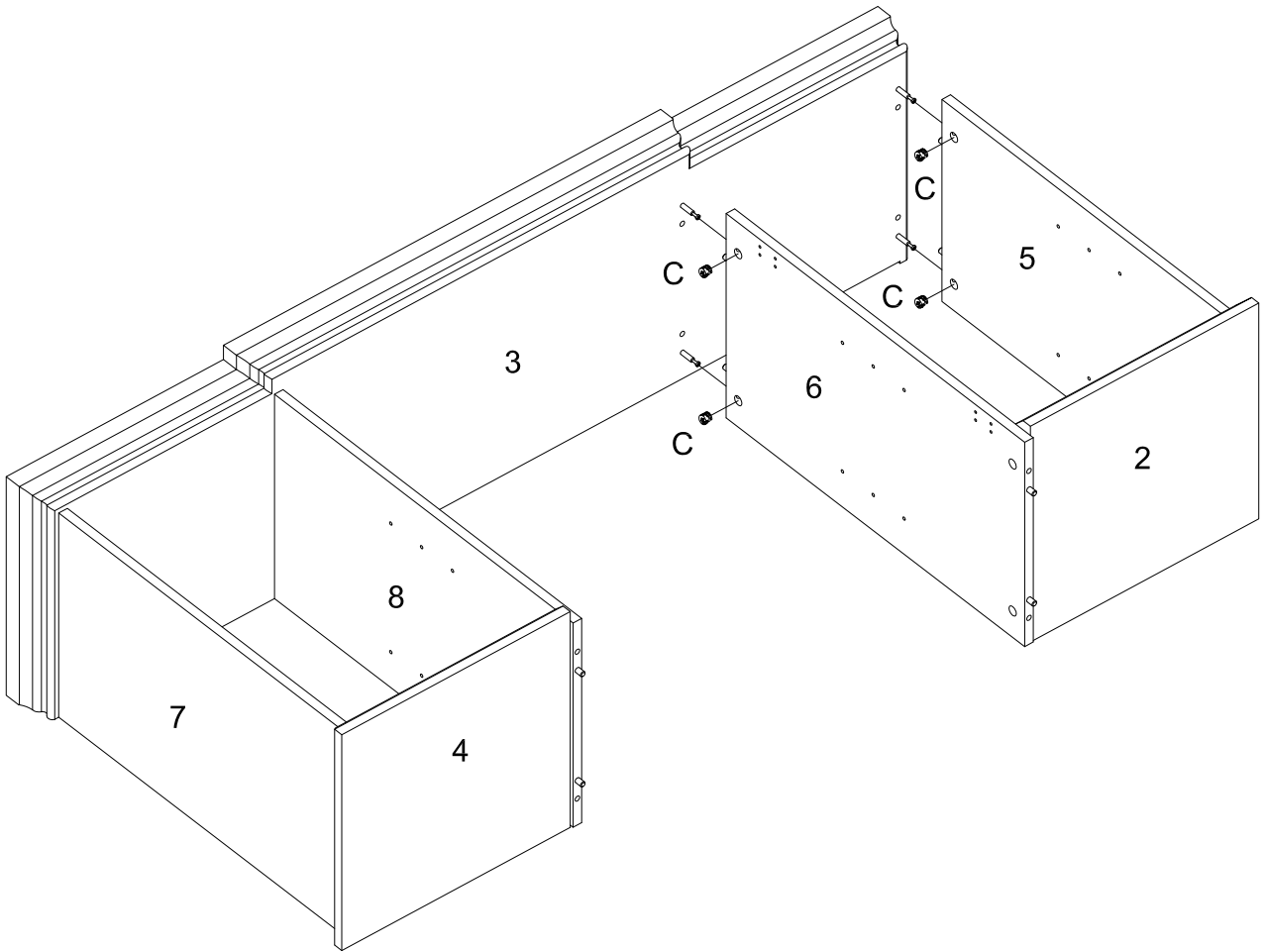
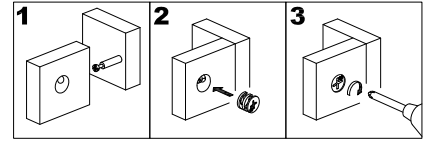
Using cam lock (C) secure part (8) into part (4) with Philips screwdriver as per diagram.

# Step 9



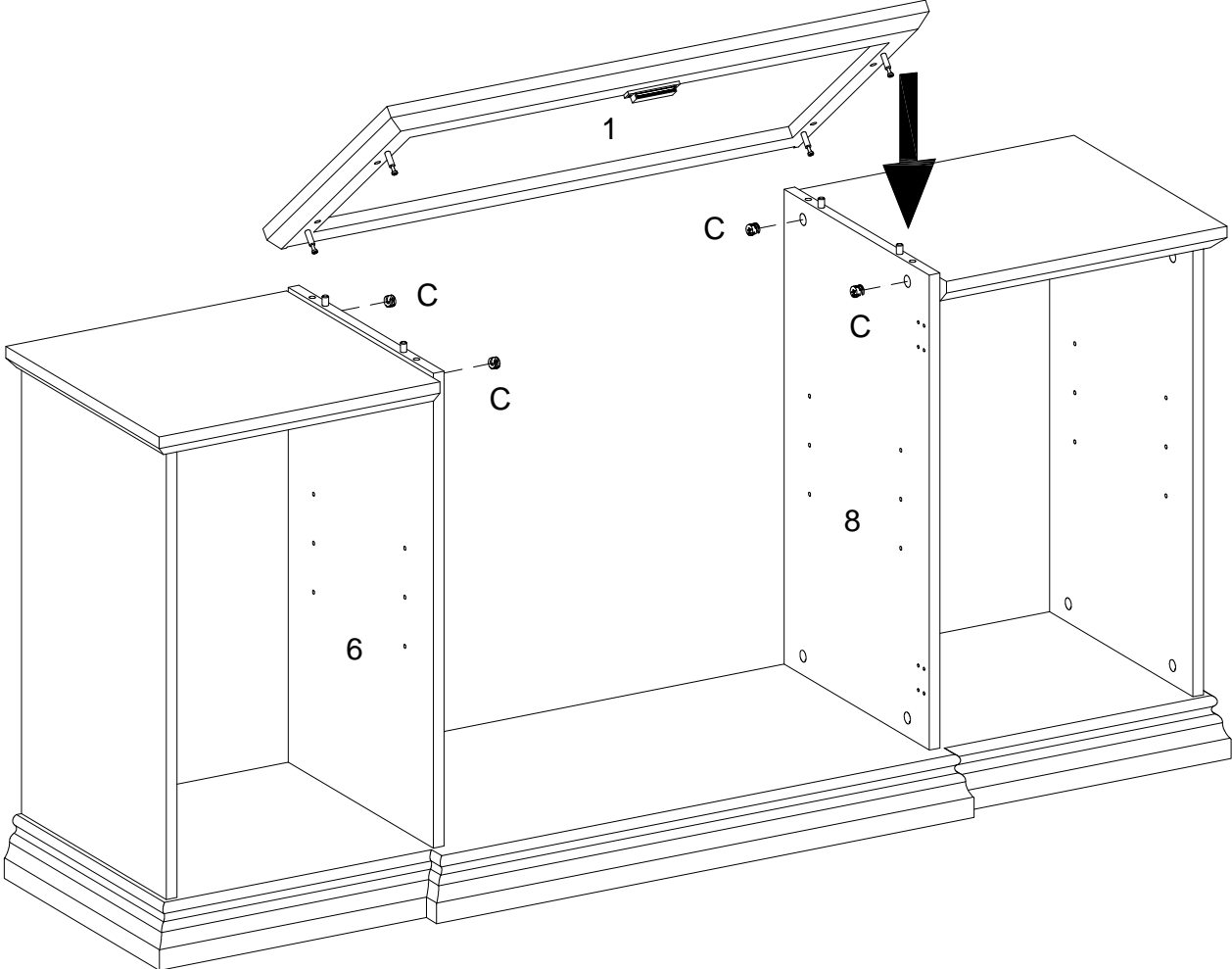
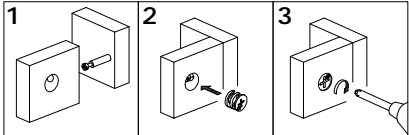
Using cam lock (C) secure part (7,8) into part (3) with Philips screwdriver as per diagram.

# Step 10



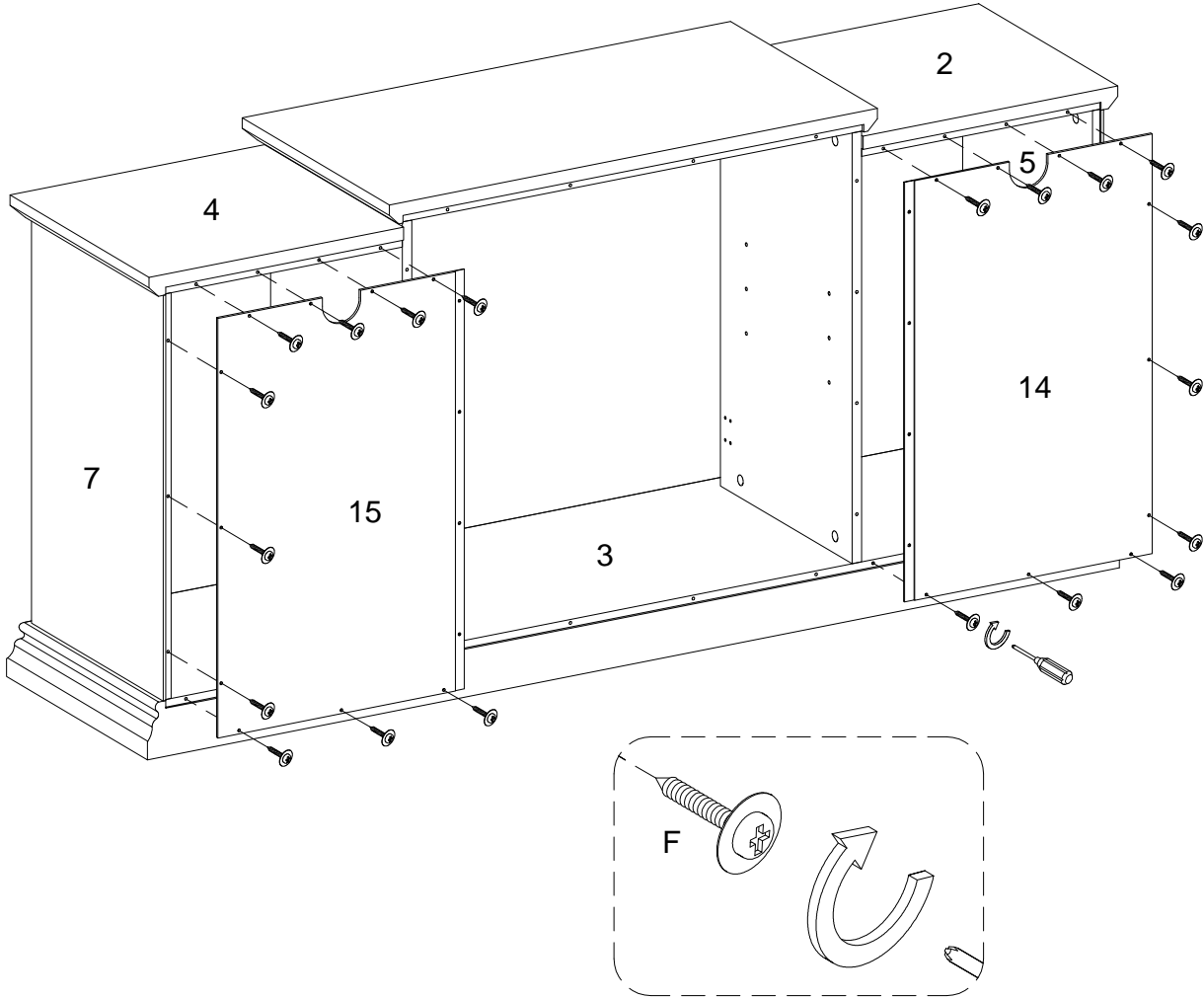
Using cam lock (C) secure part (5,6) into part (3) with Philips screwdriver as per diagram.

# Step 11



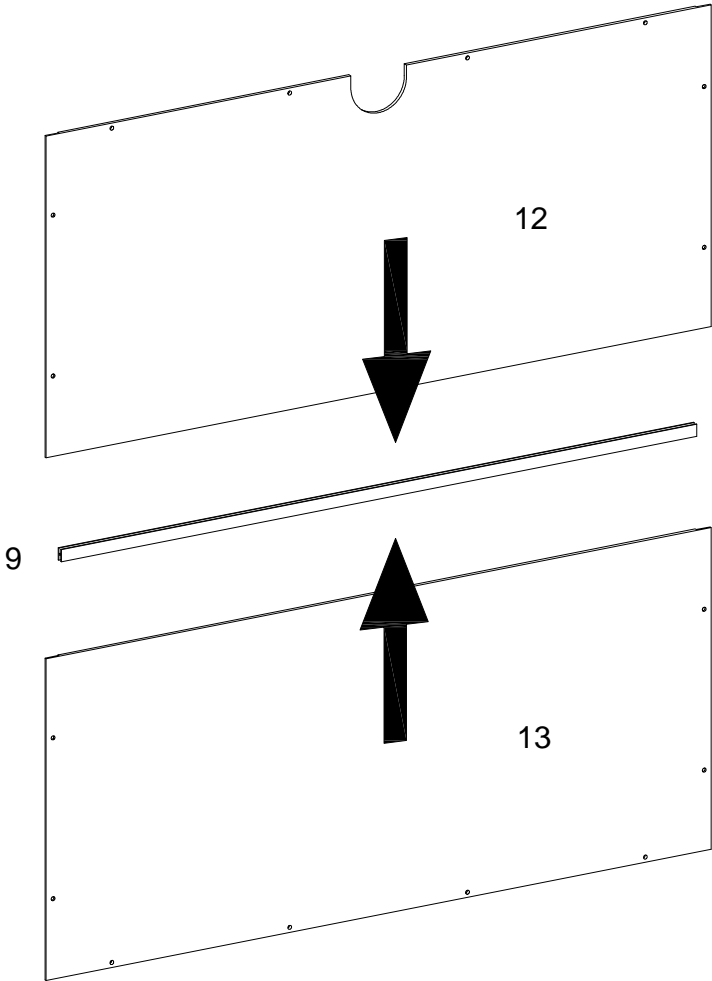
Using cam lock (C) secure part (1) into part (6,8) with Philips screwdriver as per diagram.

# Step 12



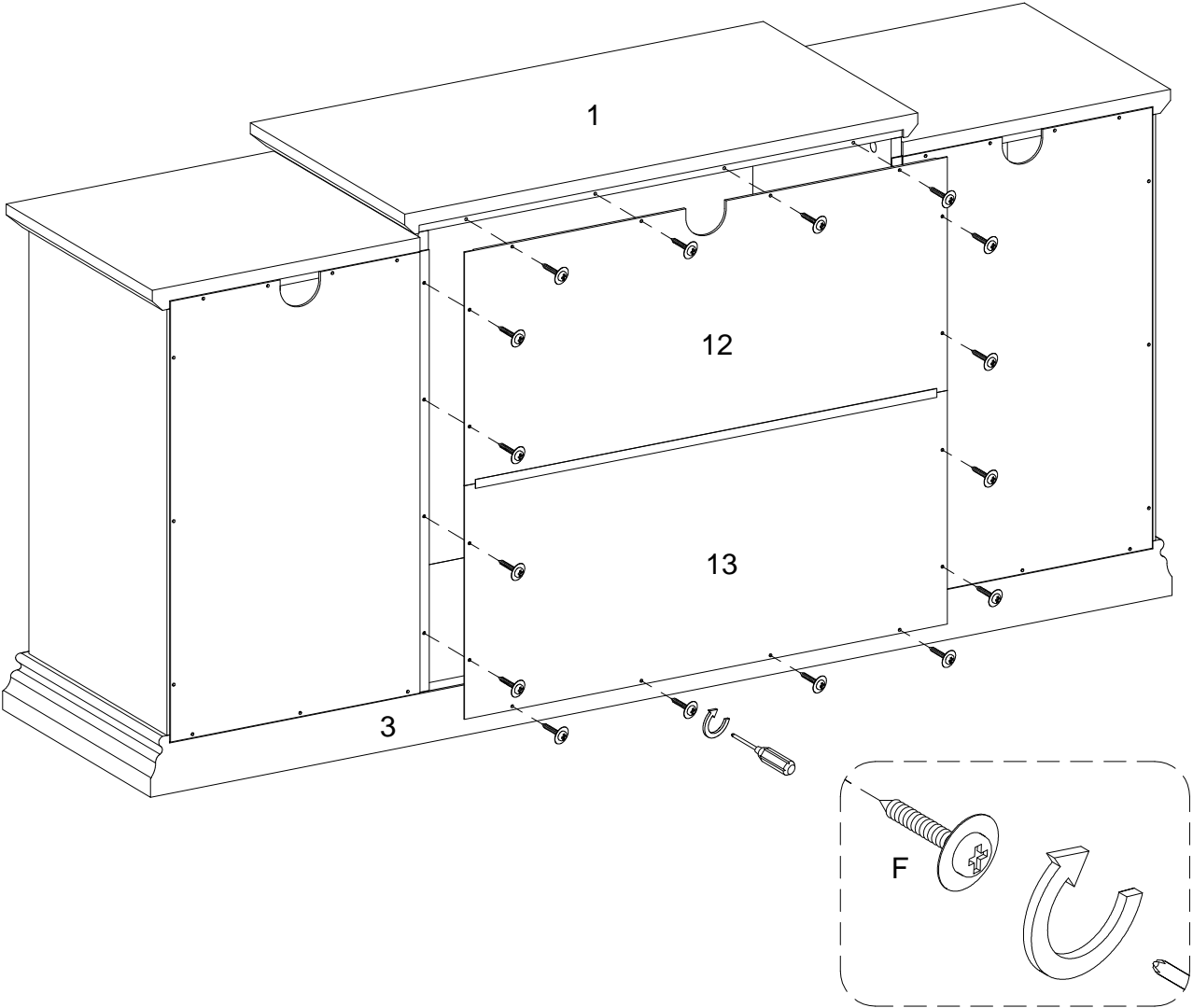
Using screw (F) secure part (14,15) into part (2,3,4,5,7) with Philips screwdriver as per diagram.

# Step 13



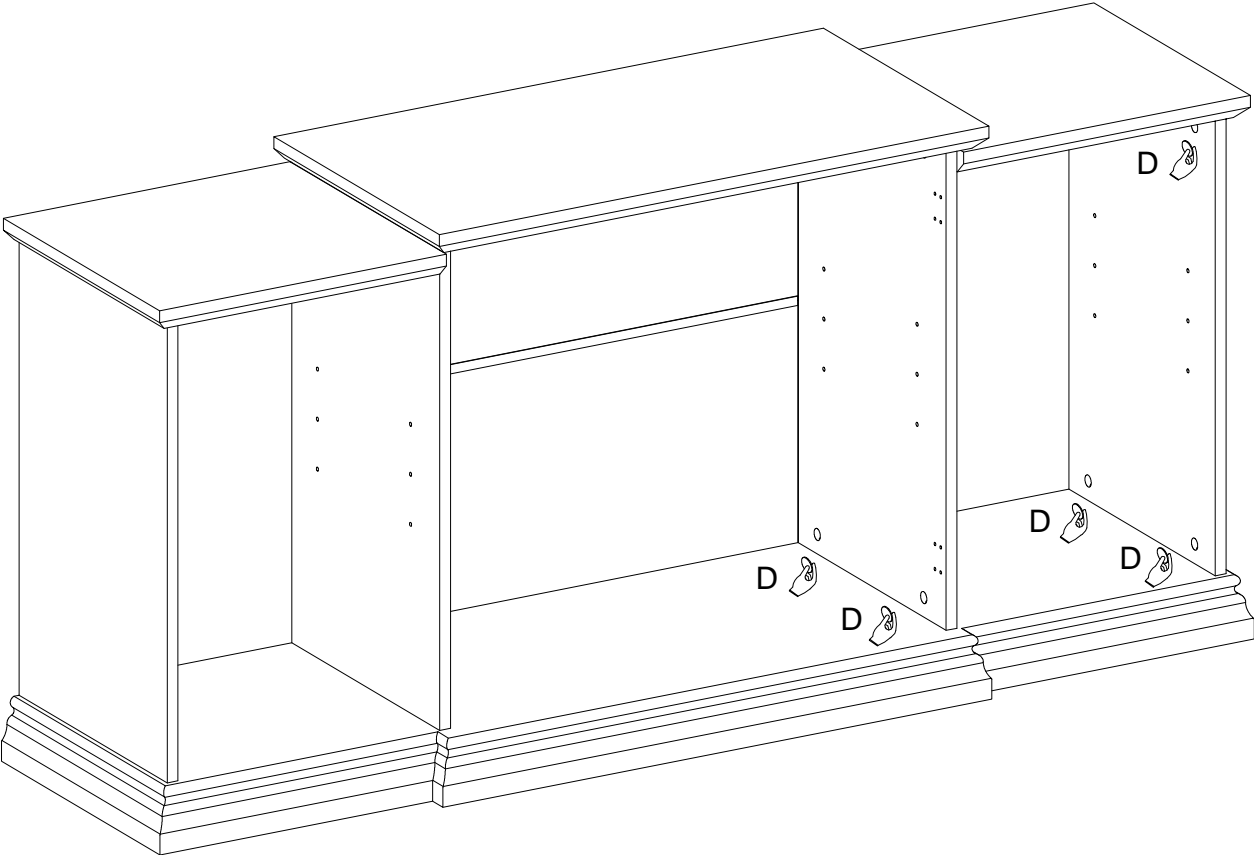
Place part (12,13) into part (9) as per diagram.

# Step 14



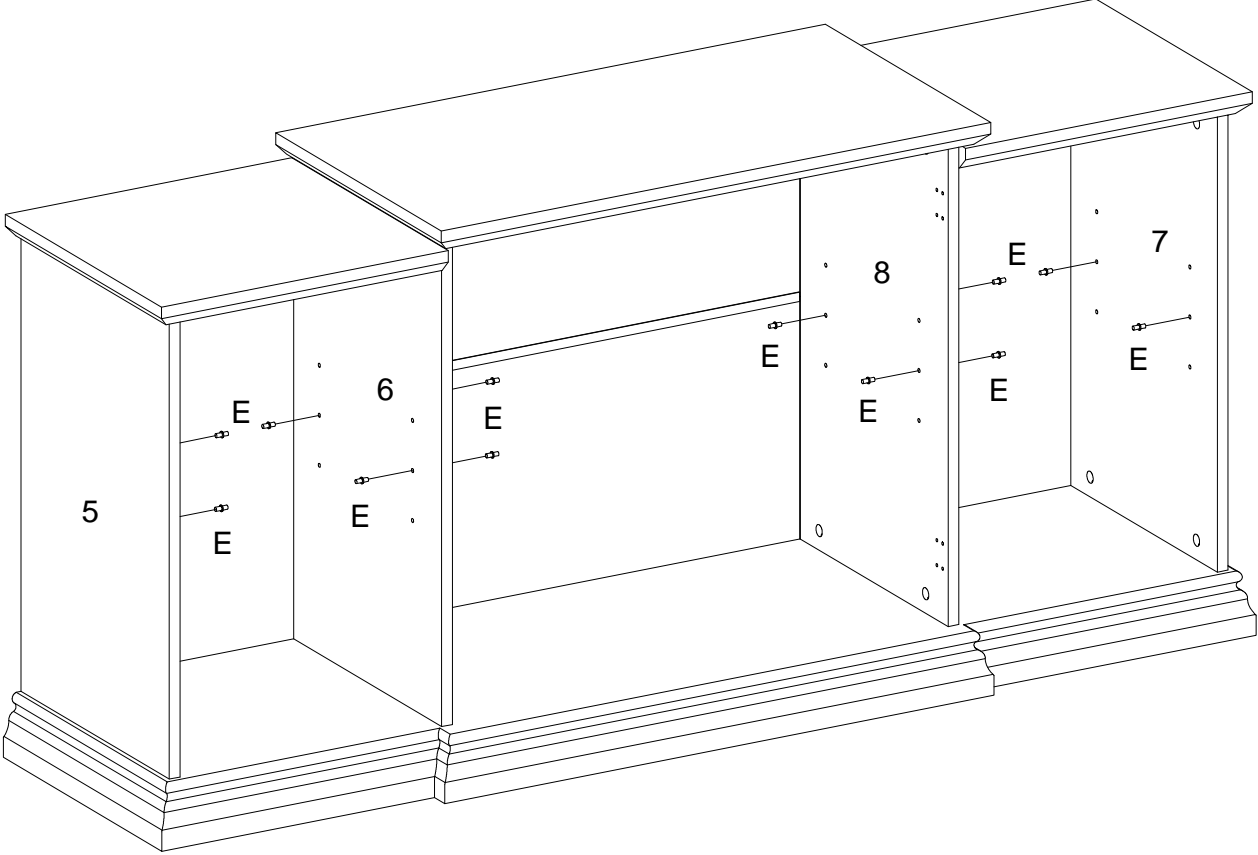
Using screw (F) secure part (12,13) into part (1,3,6,8) with Philips screwdriver as per diagram.

# Step 15



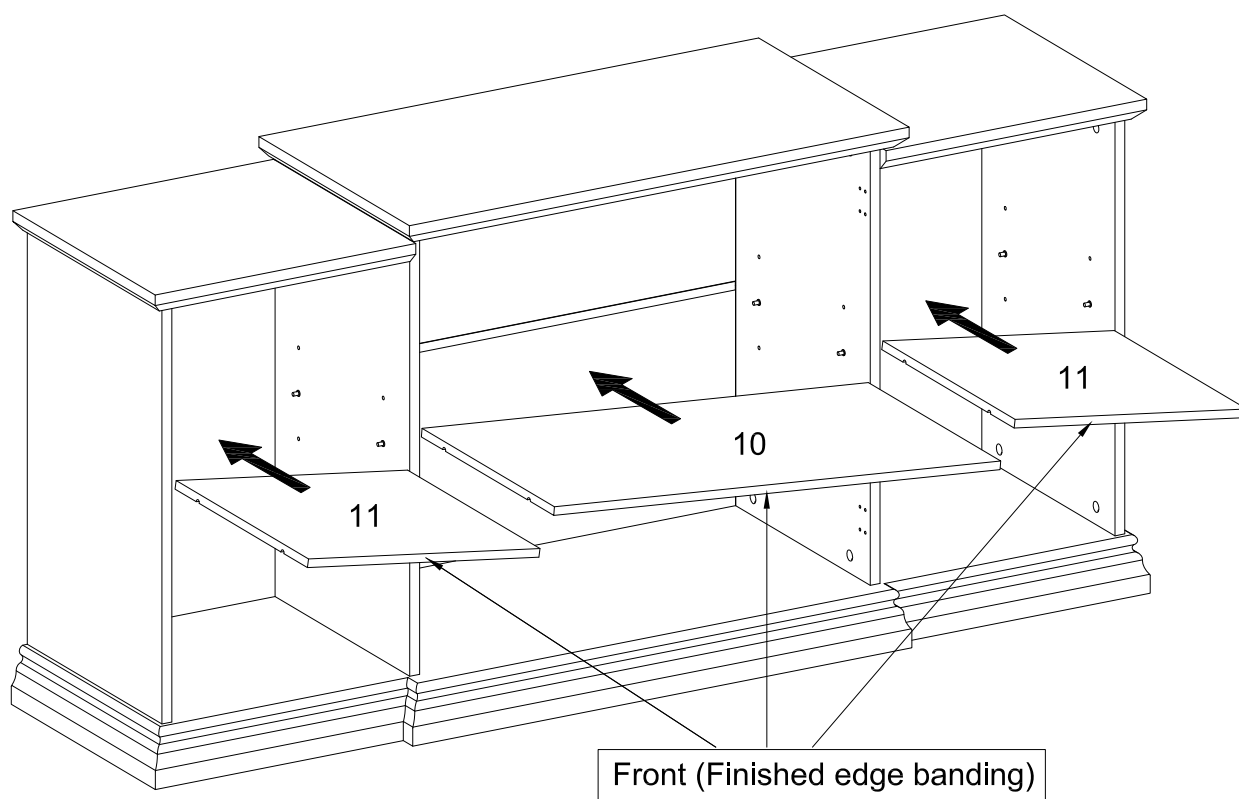
Place sticker (D) cover the holes as per diagram.

# Step 16



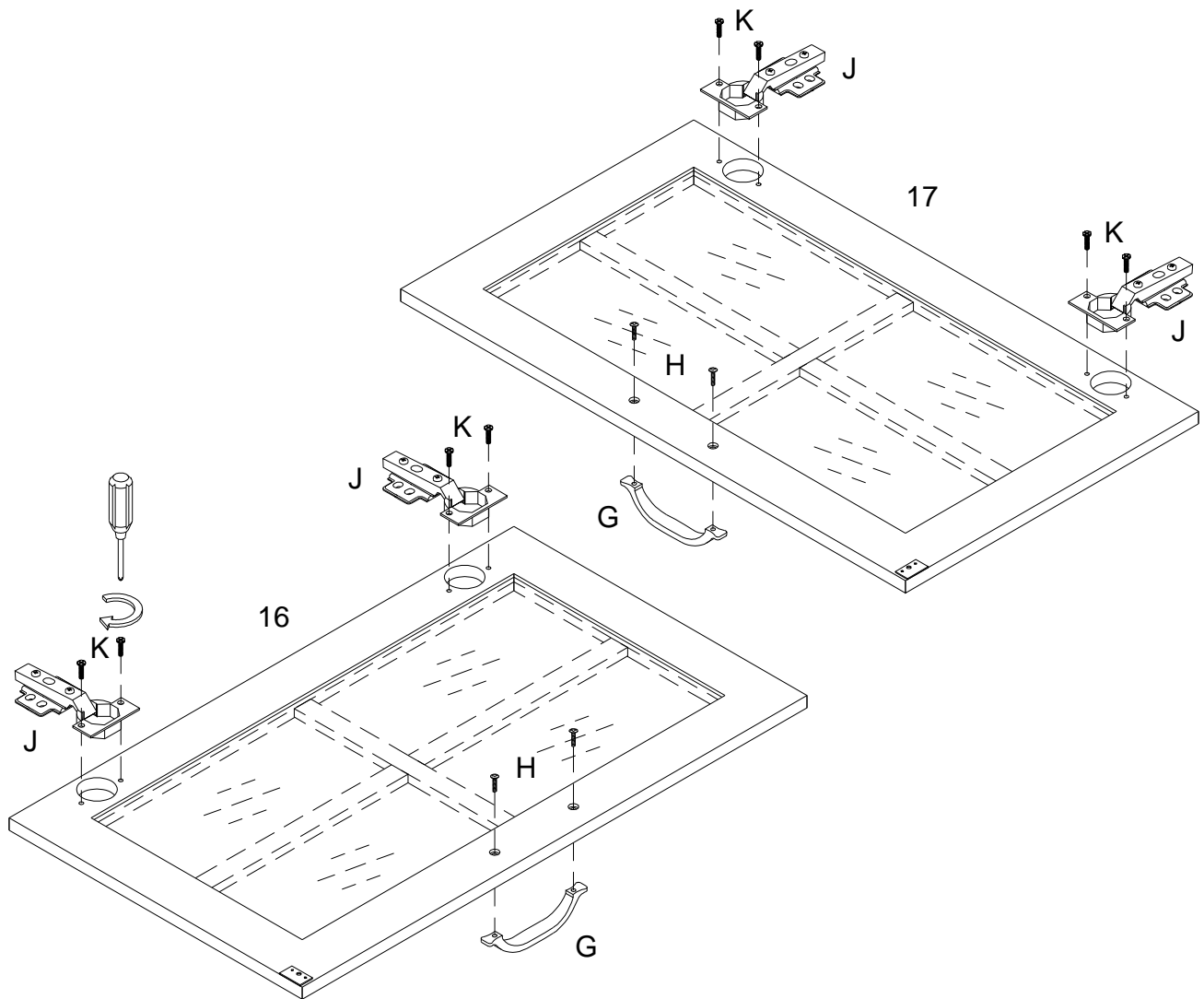
Insert shelf support pin (E) into part (5,6,7,8) as per diagram.

# Step 17



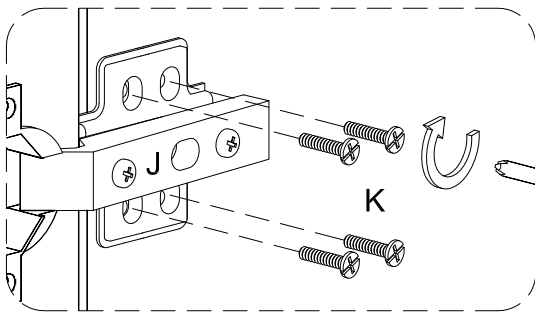
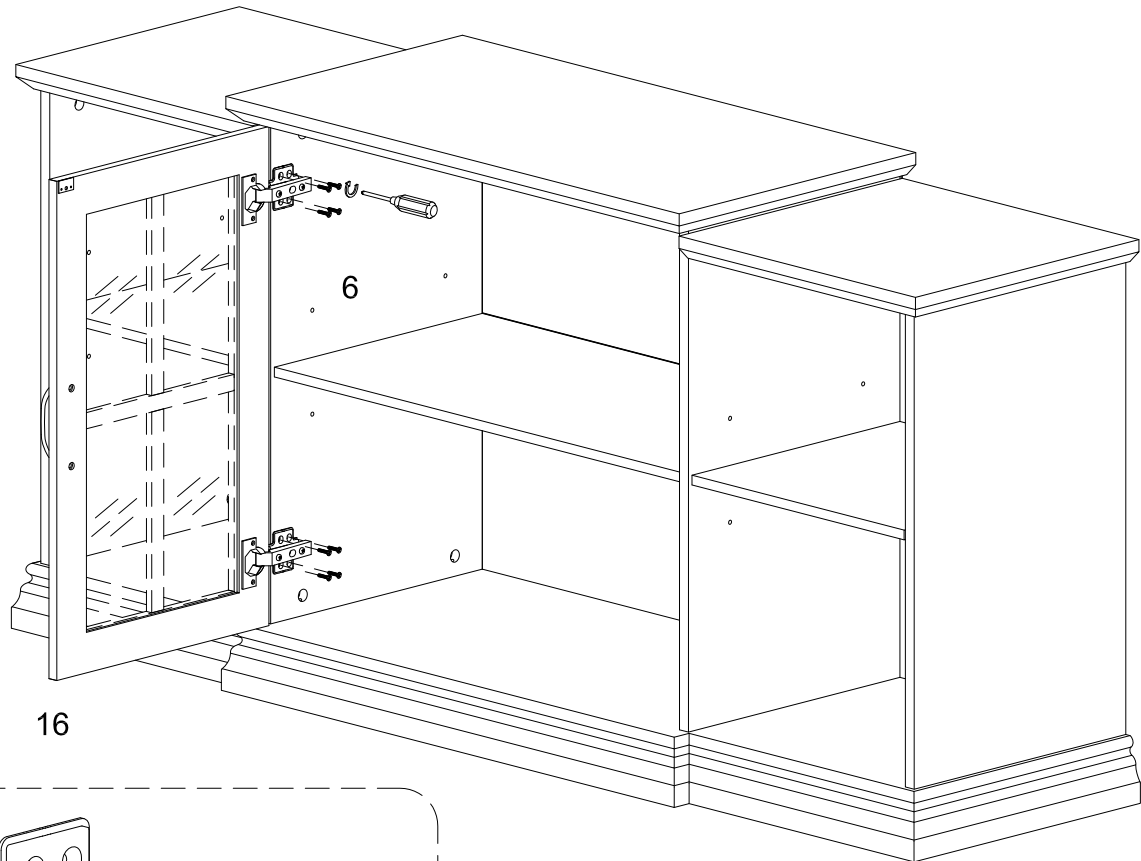
Put part (10,11) into cabinet as per diagram.

# Step 18



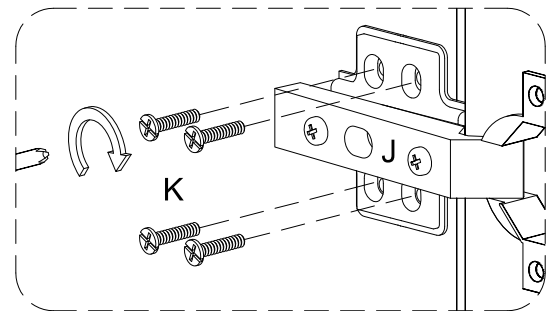
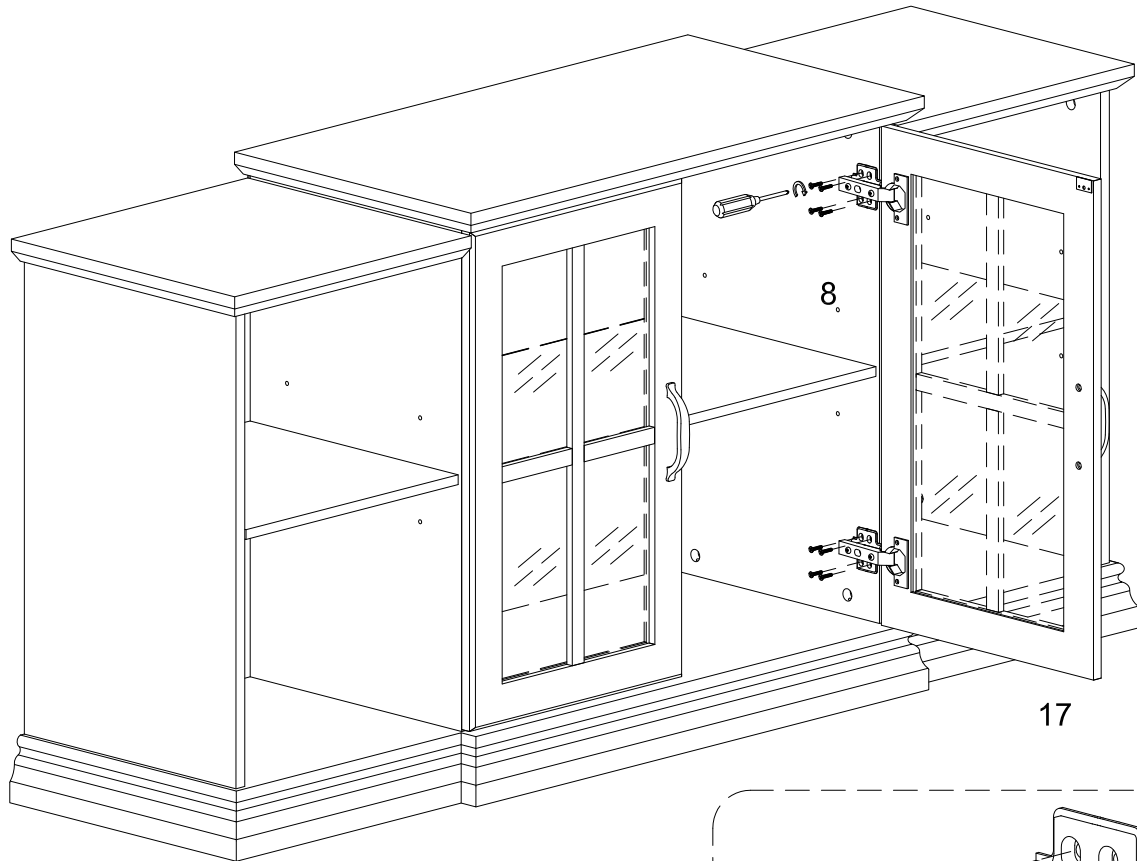
Using bolt (K) attach hinge (J) to part (16,17) secure with Philips screwdriver , using handle bolt (H) attach handle (G) to part (16,17) secure with Philips screwdriver as per diagram.

# Step 19



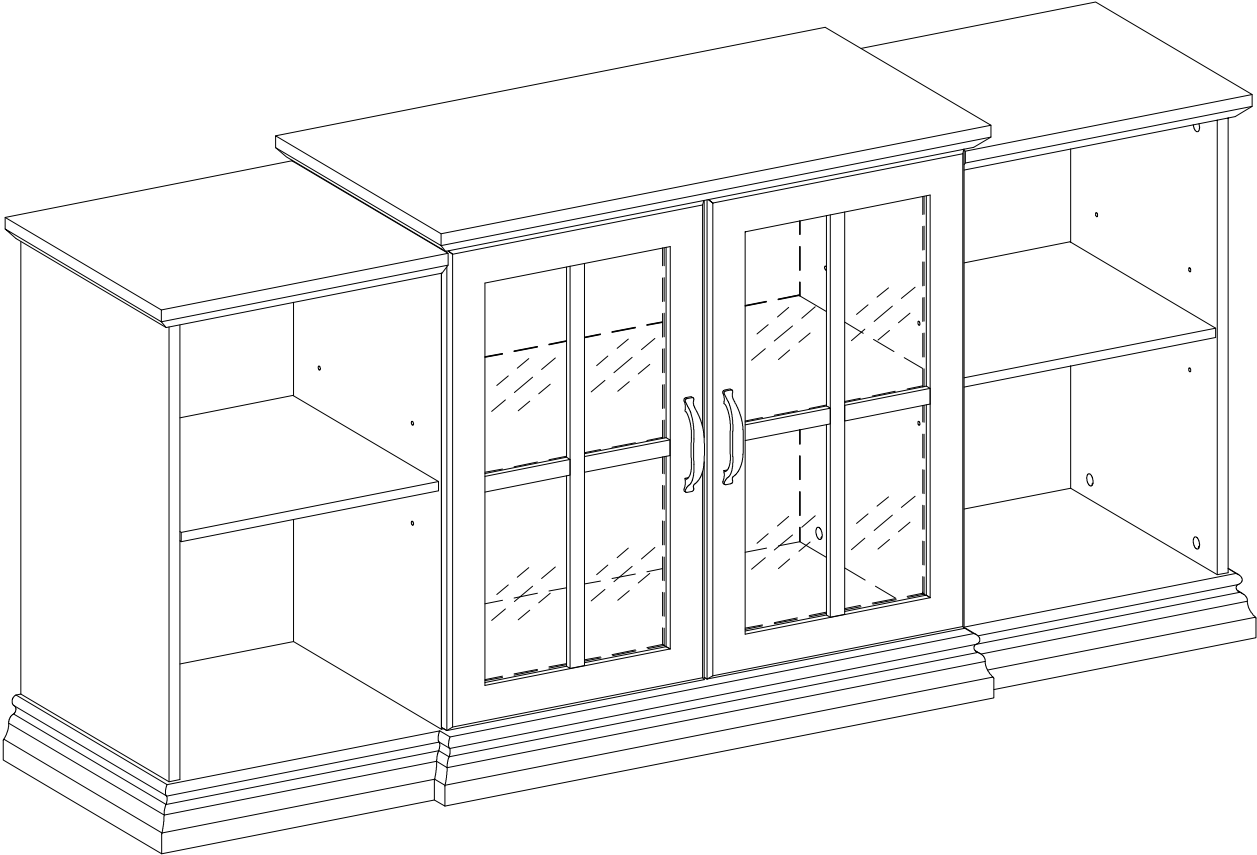
Using bolt (K) secure hinge (J) that has been attached to part (16) to part (6) with Philips screwdriver as per diagram.

# Step 20



Using bolt (K) secure hinge (J) that has been attached to part (17) to part (8) with Philips screwdriver as per diagram.

# Step 21



## Final Assembly