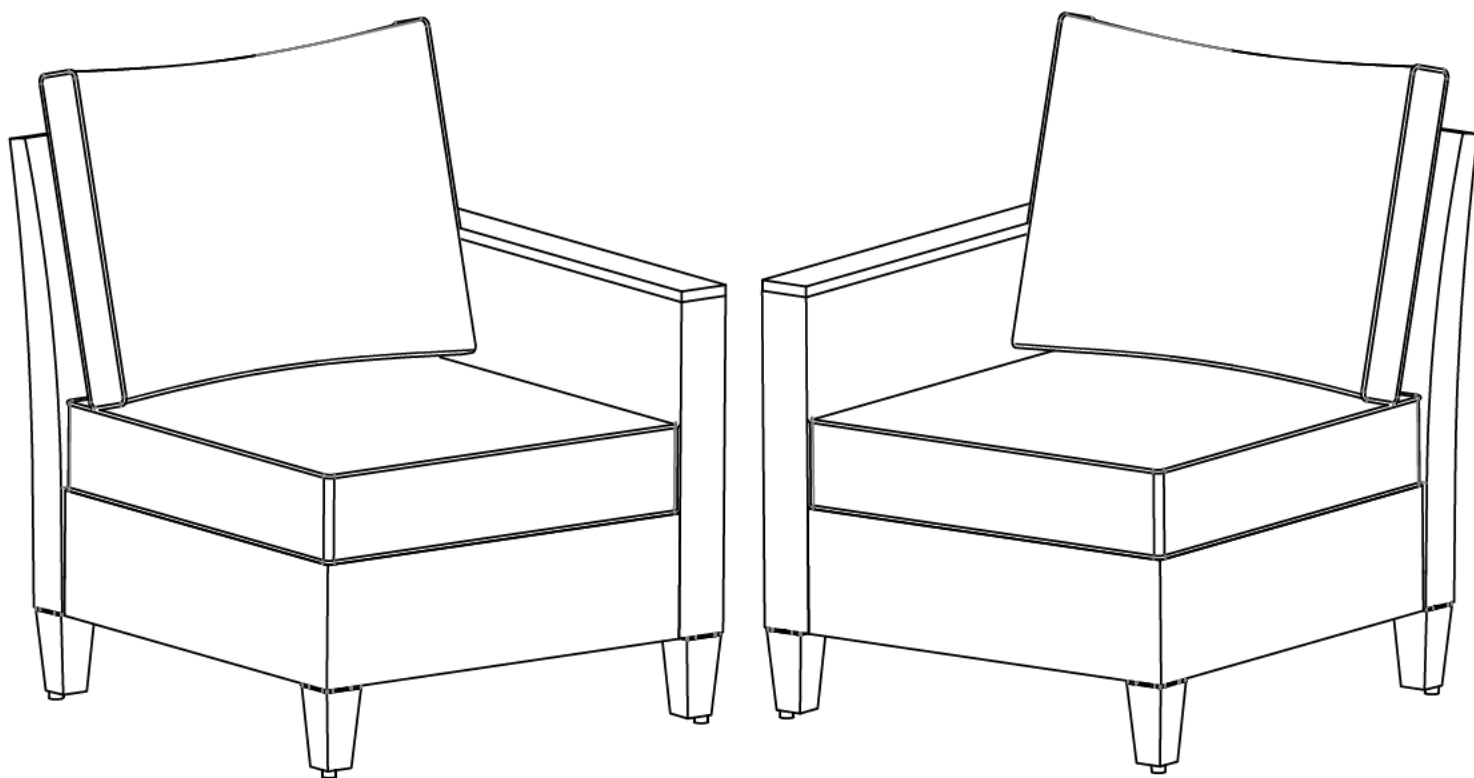


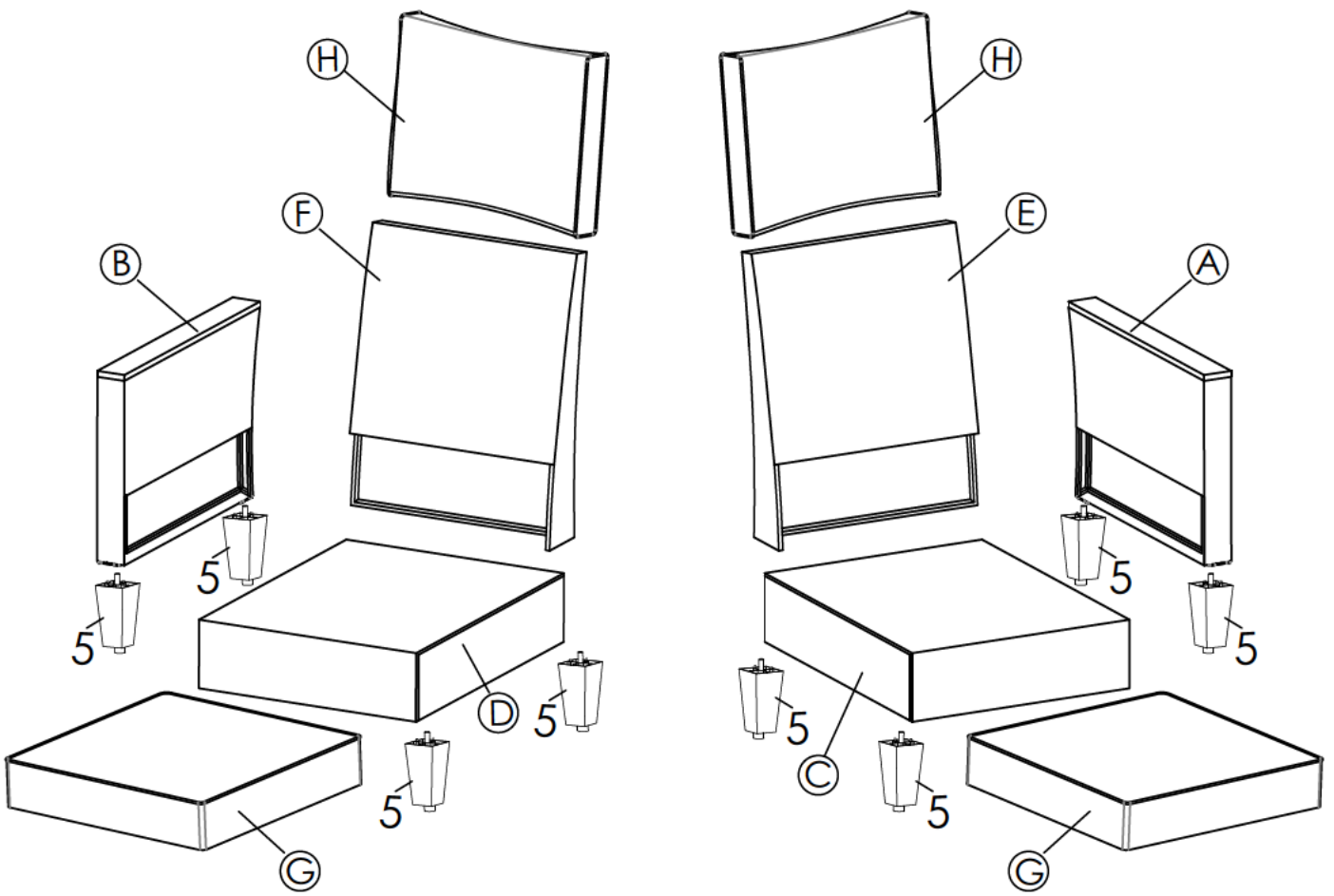
Assembly Manual

Left/Right Corner Sofa



Please read this manual carefully before any operation and keep it properly for future use.

Exploded View



Components List

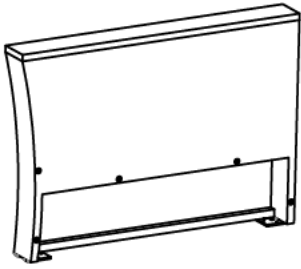
40 min

Assembly Time



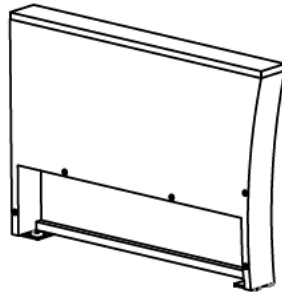
Two People

A



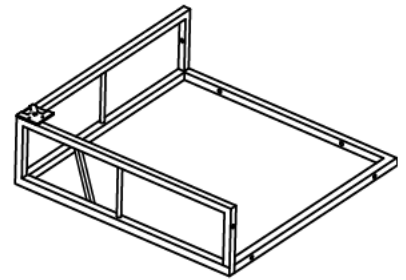
Left Arm (X1)

B



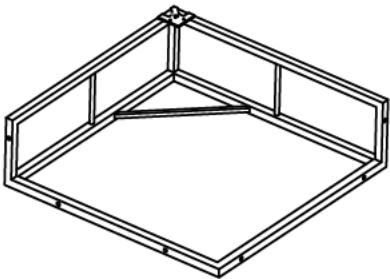
Right Arm (X1)

C



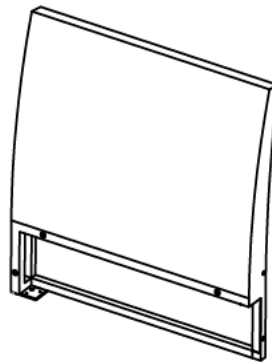
Left Seat (X1)

D



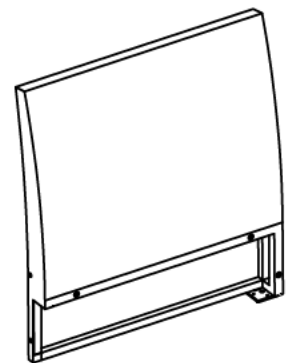
Right Seat (X1)

E



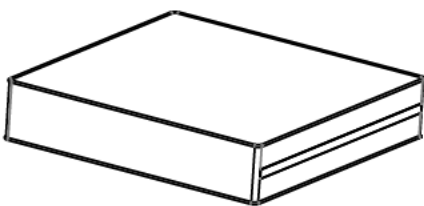
Left Back (X1)

F



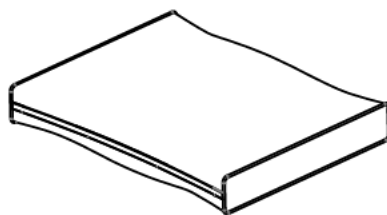
Right Back (X1)

G





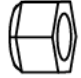


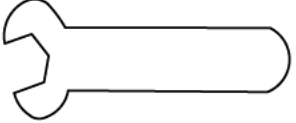
Seat Cushion (X2)

H



Back Cushion (X2)

Components list

1			2			3		
								
Bolt	M6x35	16+2	Washer	M6	16+2	Nut	M8	8+1
4			5			6		
								
Allen wrench	M6	1	Foot		8	wrench	M8	1

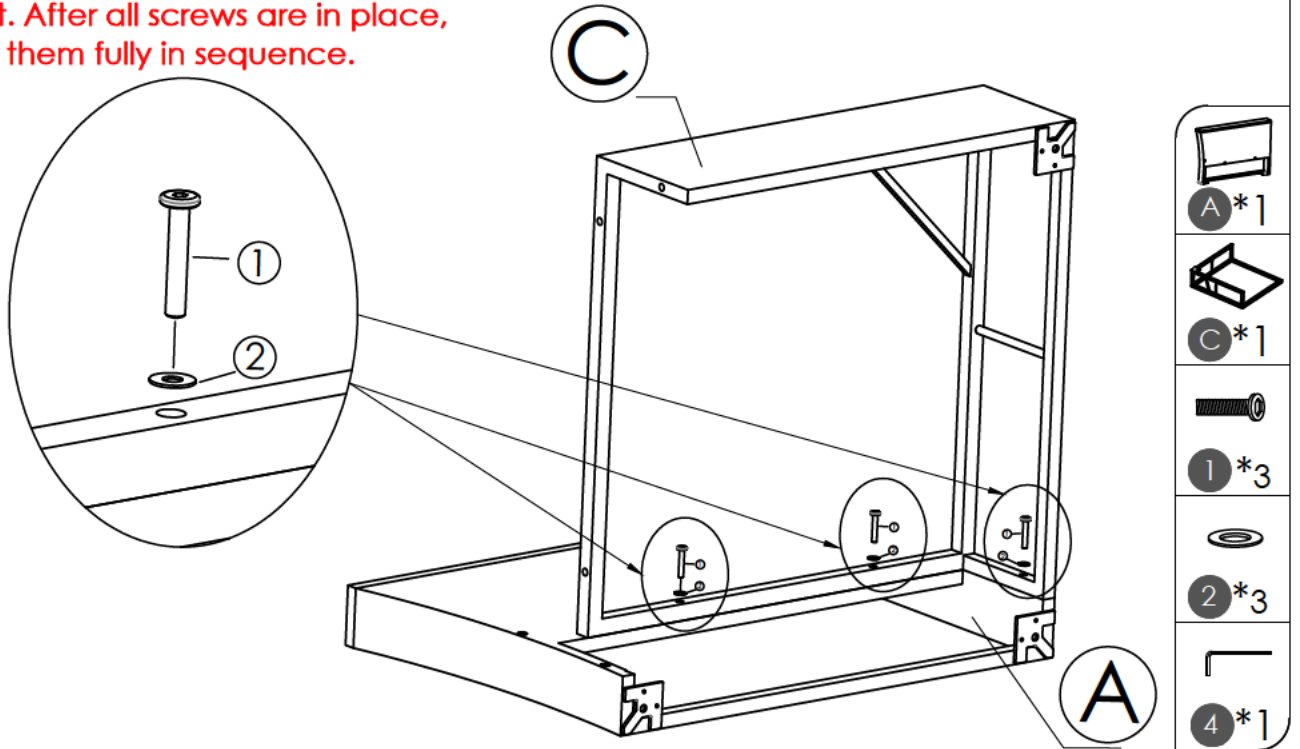
Note: The qty after "+" sign indicates the extra piece(s).

Assembly Instruction

STEP 1

Attach left armrest(A) to left seat(C) using washers(2),bolts(1)and Allen wrench(4).

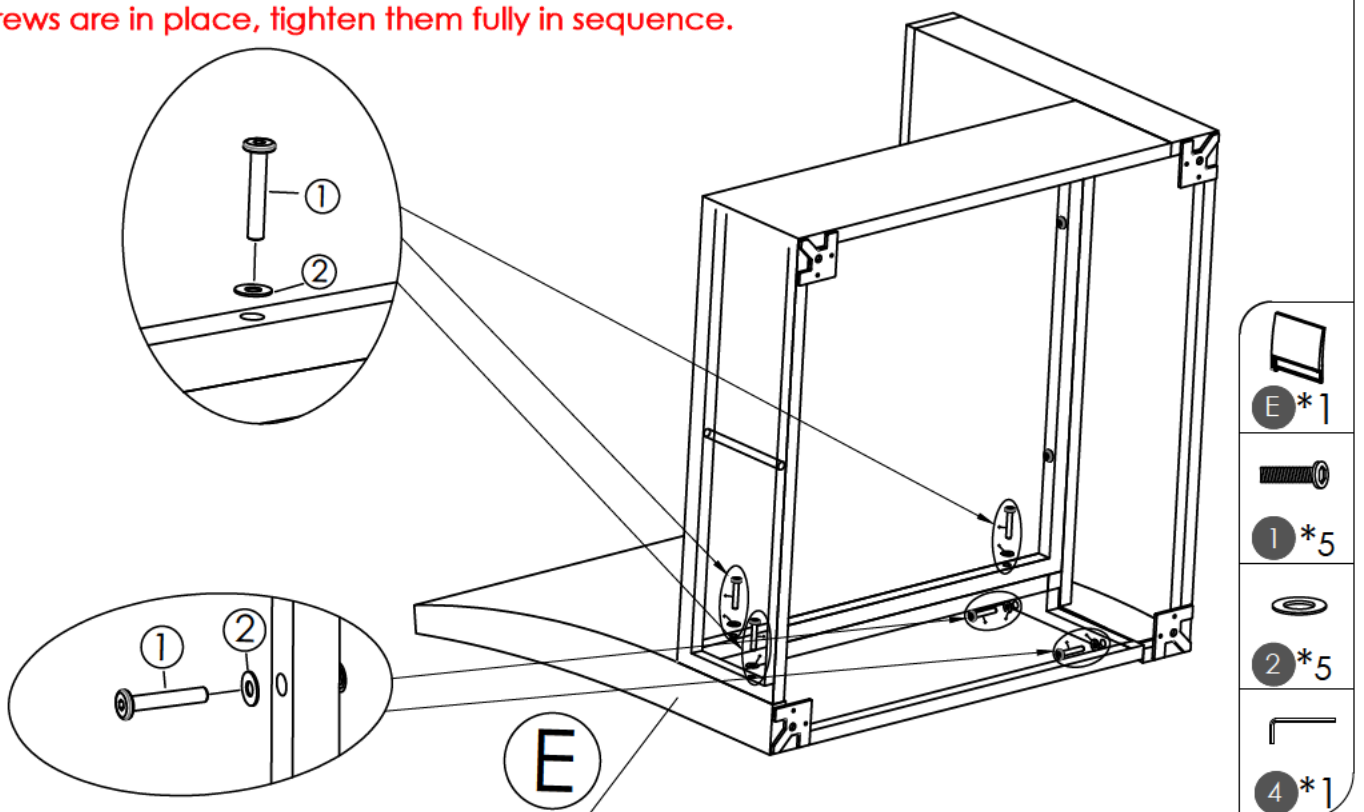
Note: Hand-tighten all screws to about 80% first. After all screws are in place, tighten them fully in sequence.



STEP 2

Attach left backrest(E) to left seat(C) using washers(2),bolts(1)and Allen wrench(4).

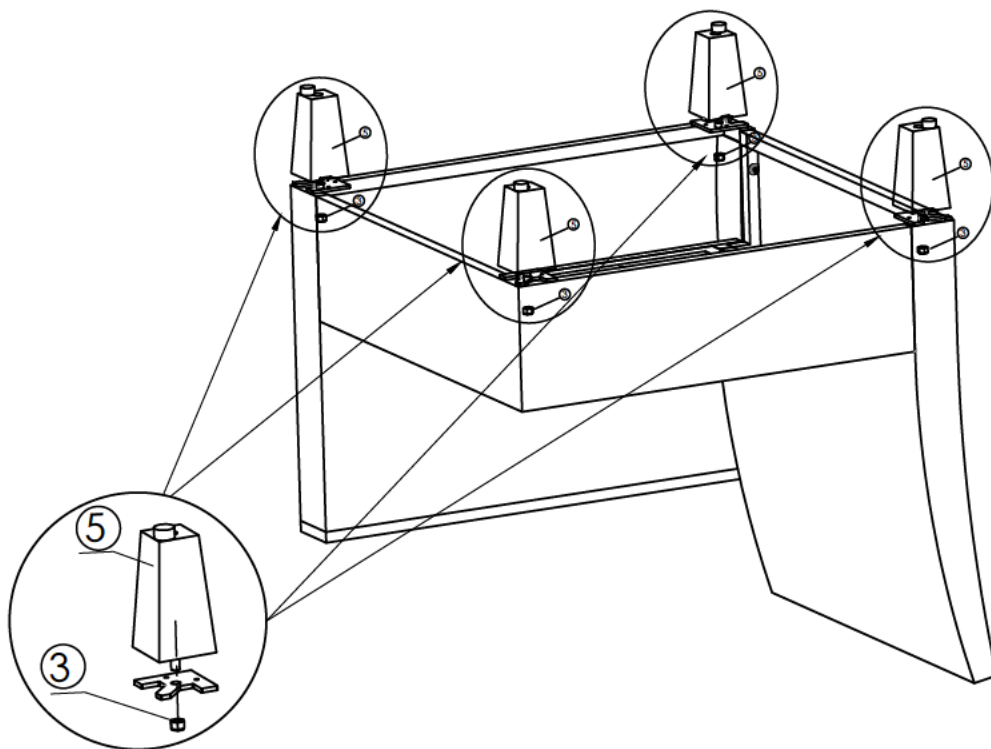
Note: Hand-tighten all screws to about 80% first. After all screws are in place, tighten them fully in sequence.



Assembly Instruction

STEP 3

Attach feet(5) to seat frame using nuts(3) and wrench(6).



STEP 4

Tighten all the bolts 100% and flip the sofa over. Then place cushions(G and H) in place. The assembly is done. If you find the sofa not level, please adjust the feet pads accordingly.

