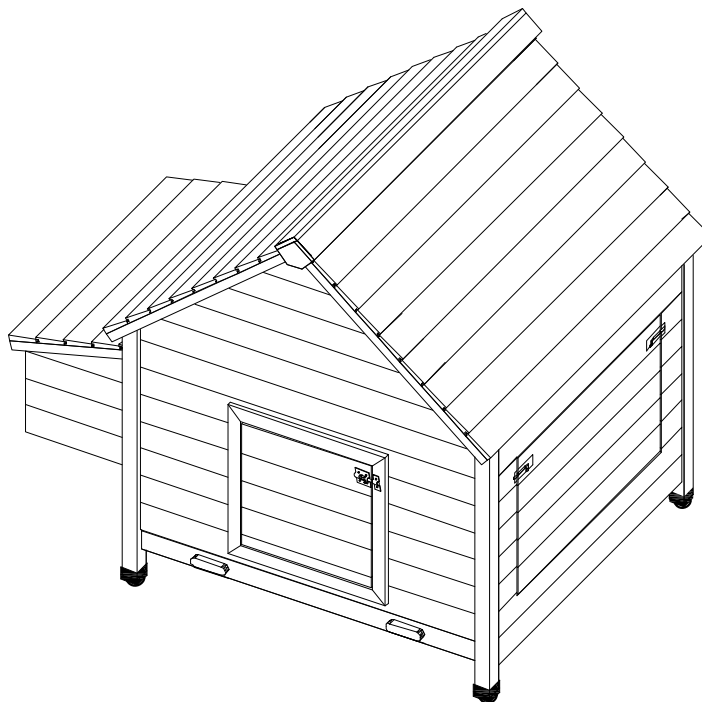


ASSEMBLY



INSTRUCTIONS












Model: Hawksmoor

PRE-ASSEMBLY PREPARATION:

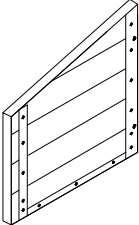
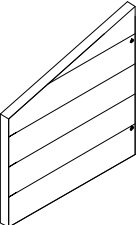
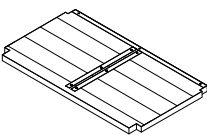
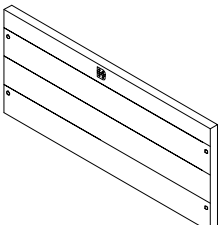

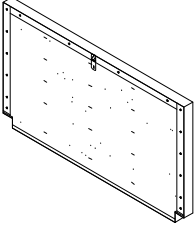
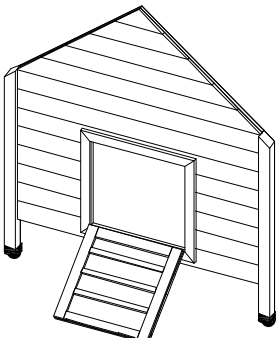
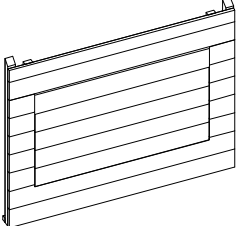
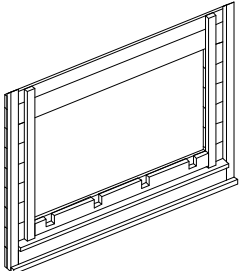
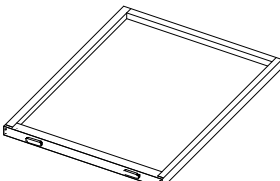

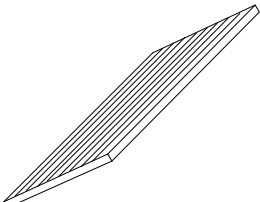
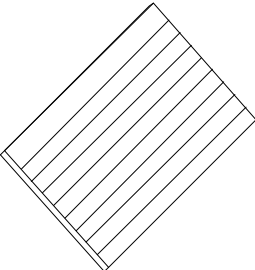

Notice:

1. This chicken house is for outdoor use only.
2. Warning fire hazard: keep away from naked flame.
3. Do not place heavy items on this chicken house, this may result in damage.
4. Assemble this chicken house on a flat surface.
5. An appropriate screwdriver is to be used in the assembly of this chicken house.

HARDWARE LIST:

Ⓐ		M6x50mm	4pcs	Ⓕ		4pcs	Ⓖ		2pcs	
Ⓑ		M6x45mm	4pcs	Ⓖ		Ø3.0x12	12Pcs	Ⓗ		1Pcs
Ⓒ		M6x65mm	8pcs							
Ⓓ		Ø3.5x25	2Pcs							
Ⓔ		Ø3.0x16	36Pcs							

PANELS AND FITTINGS IDENTIFICATION:

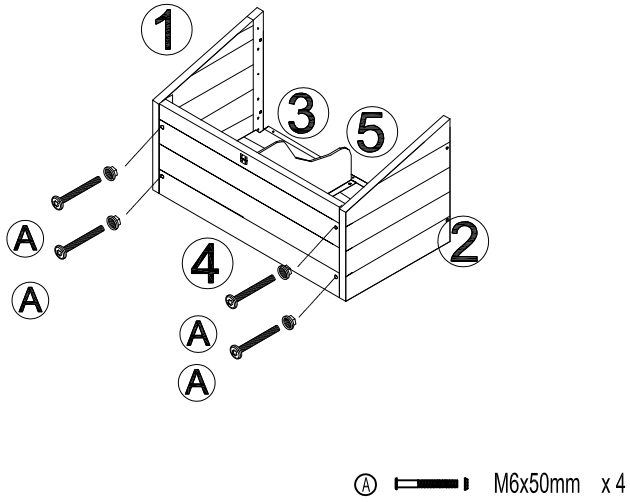
				
①	②	③	④	⑤
				
⑥	⑦ x2	⑧	⑨	⑩
				
⑪ x4	⑫	⑬	⑭	

ASSEMBLY INSTRUCTIONS

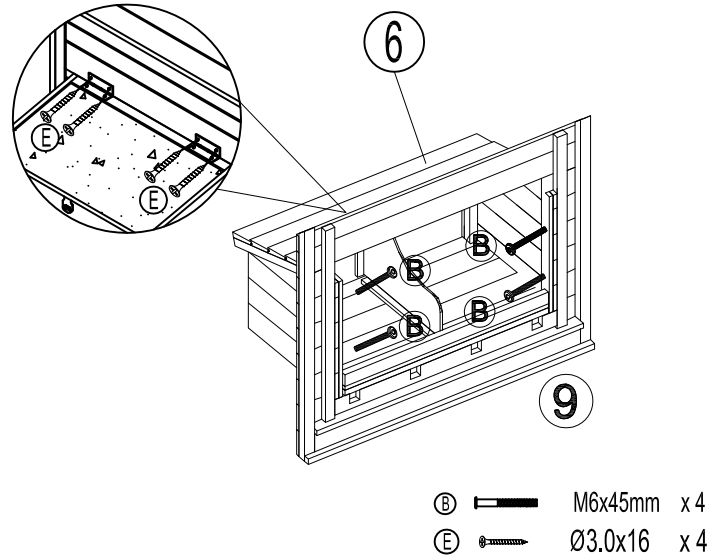
TAKING CARE OF YOUR PETS
www.petsimperial.co.uk

STEP-BY-STEP ASSEMBLY:

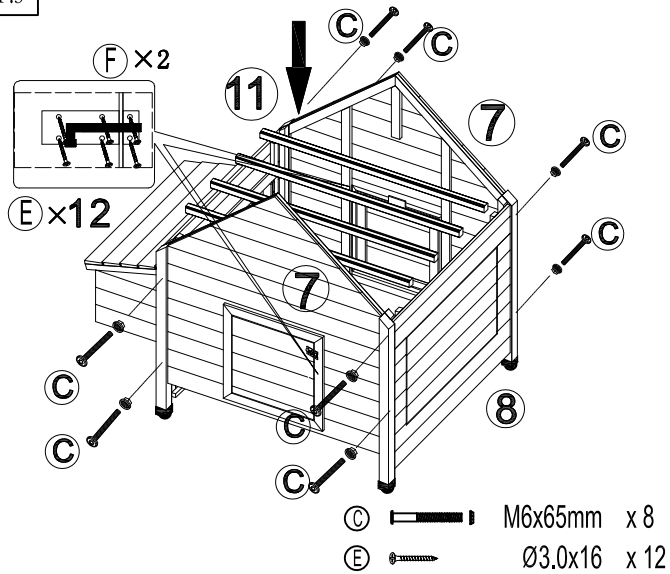
STEP:1



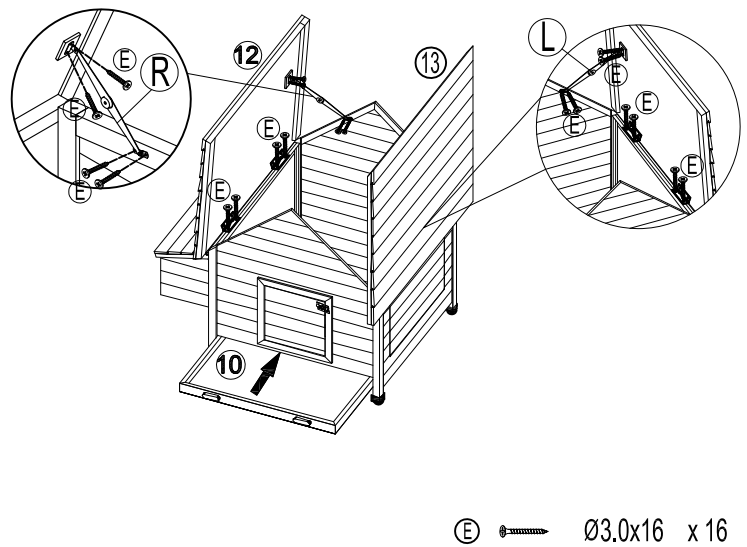
STEP:2



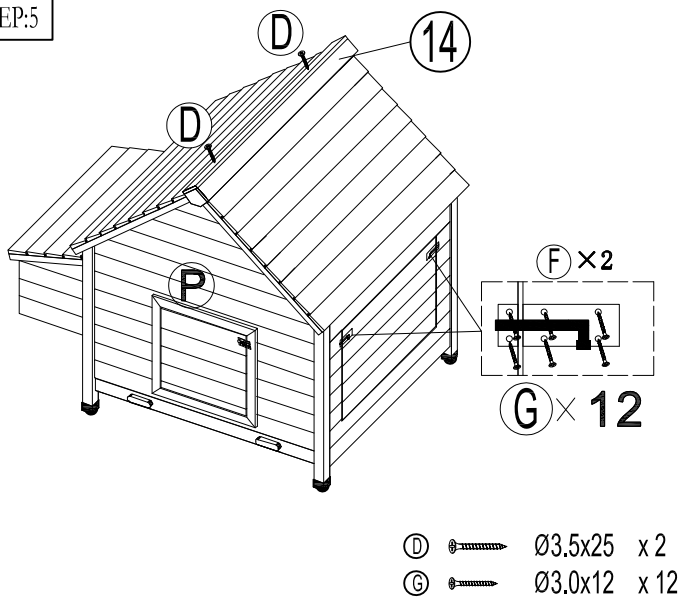
STEP:3



STEP:4



STEP:5



STEP:6

