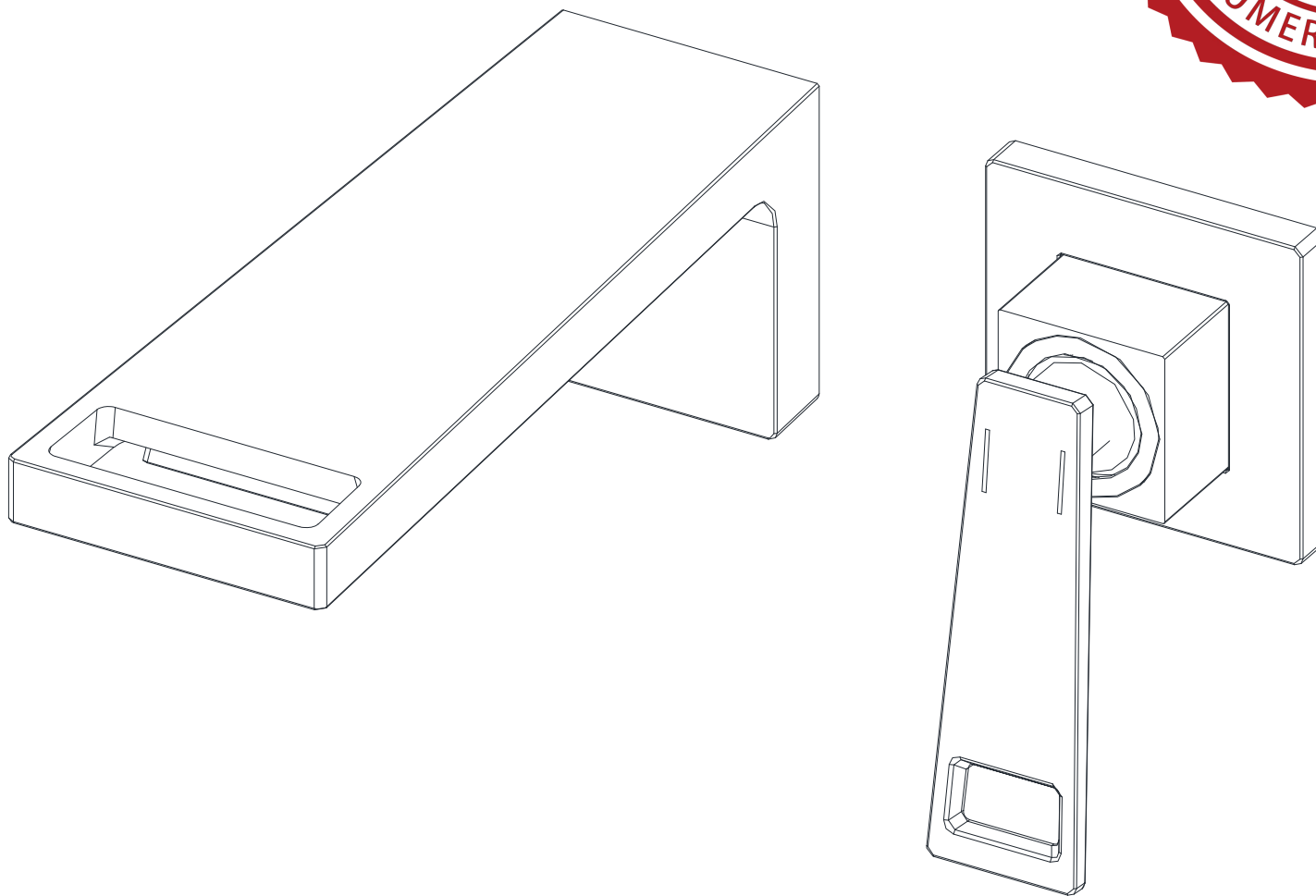


**INSTALLATION GUIDE**



**Wall-mounted Waterfall Bathroom Faucet**

<b>MODEL</b>	<b>FINISH</b>
S1428IW-CH	CHROME
S1428IW-BN	BRUSHED NICKEL
S1428IW-MB	MATTE BLACK
S1428IW-BG	BRUSHED GOLD
S1428IW-MG	Black and Brushed Gold

**HOT LINE: +1-866-203-0866**

## THANK YOU

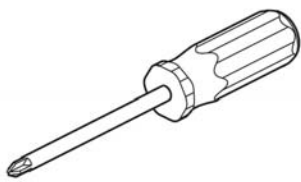
Dear Valued Customer,  
SUMERAIN would like to take this opportunity to thank you for purchasing SUMERAIN products. It is our sincere hope that you are completely satisfied with your new purchase. All SUMERAIN products are carefully engineered, and factory tested to provide long trouble-free use under normal conditions. This product is easy to install using basic tools and our easy to follow illustrated instructions. We welcome any questions or comments you may have and look forward to assisting you in the future. If you have any questions regarding this product, call +1-866-203-0866 or email to [supports@sumerain.com](mailto:supports@sumerain.com).

Sincerely,  
SUMERAIN customer service department

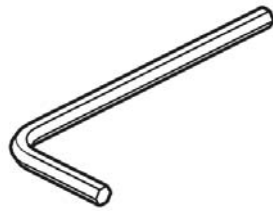
## BEFORE PROCEEDING

1. Unpack your new product and ensure that all the parts are contained in the packaging. Keep the product in its original box until you ready to install it.
2. Locate water supply inlets and shut off the water supply valves. These are usually found near the water meter.
3. if you are replacing an existing unit, remove the old unit and clean the mounting surface thoroughly.
4. Observe all plumbing and building codes in your area.
5. It is recommends calling professional if you are uncertain about installing this product.

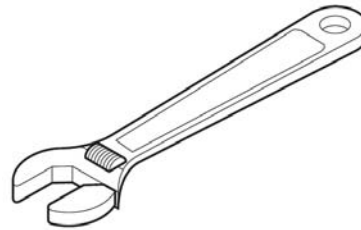
## TOOLS RECOMMENDED



Philips screwdriver



Allen wrench



Adjustable wrench



Channel locks



Thread Sealant

## LIMITED LIFETIME CONSUMER WARRANTY

VERSION: 140320.15.3

This product has been manufactured and tested to the highest quality standards by SUMERAIN sanitary Inc("SUMERAIN").This warranty is limited to SUMERAIN products which are purchased by a consumer in the China after Jan 1,2010 and installed in China or the state which has SUMERAIN technical support department locally.(visit <http://www.sumerain.com/en/supportcenter.asp> for review the state list of SUMERAIN technical support department).If the faucet should leak or drip during normal use,SUMERAIN will, free of charge, mail to the purchaser the cartridge necessary to put the faucet in good working condition. If a defect is found in normal residential use, SUMERAIN will, at its election, repair, provide a replacement part or product, or make appropriate adjustment.

### WHO IS COVERED BY THE WARRANTY

This warranty extends to the original consumer purchaser only (exclusive online retail original customer, online retail original customer cover by the "Online CONSUMER Limited Lifetime WARRANTY & Return policy"), This warranty is not-transferable.

### WHAT IS COVERED BY THE WARRANTY

This warranty covers only your SUMERAIN manufactured product. SUMERAIN warrants this product against defects in material or workmanship as follows: SUMERAIN will repair at no charge for parts only or, at its option, replace any product or part of the product that proves defective because of improper workmanship and/or material, under normal installation, use, service and maintenance. If SUMERAIN unable to provide replacement, SUMERAIN may elect to provide similar model upon close value.

### FINISH WARRANTY

It is the responsibility of the customer to check for any material finish defects before installation. SUMERAIN doesn't warranty these finishes after the fixture has been installed.

### ELECTRONIC FAUCETS WARRANTY

SUMERAIN warrants that its electronic faucets, valves and controls to be free from manufacturing defects in material and workmanship under normal use for three(3) years from the date of purchase and waterflow impeller-dynamo (generate power for LED faucet) for six(6) months from the date of purchase.

### LENGTH OF WARRANTY

Replacement or repaired parts of products will be covered for the term of this warranty as stated in the following two sentences, if you are a consumer who purchased the product for use primarily for personal,family,or household purposes, this warranty extends for 5 years since the product originally installed (Extend max 1 month From the date of purchase).if you purchased the product for use primarily for any other purpose,including,without limitation, a commercial purpose or is installed outside of China, or if the finish is gold, non-Vibrant or a painted or powder coated color finish this warranty extends only for one year, with respect to SUMERAIN and commercial products.

### THIS WARRANTY DOES NOT COVER, AND SUMERAIN WILL NOT PAY FOR:

- A. Conditions, malfunctions or damage not resulting from defects in material or workmanship.
- B. Conditions, malfunctions or damage resulting from normal wear and tear, improper installation, improper maintenance, misuse, abuse,negligence,accident or alteration or the use of abrasive or caustic cleaning agents or "no-rinse" cleaning products, or the use of the product in any manner contrary to the product instructions. Conditions in the home such as excessive water pressure or corrosion.
- C. Labor or other expenses for the disconnection, deinstallation, or return of the product for warranty service, or for installation or reinstallation of the product.
- D. Accessories, connected materials and products (including but not limited in handshower flexible hose, spray flexible hose, handshower), or related products not manufactured by SUMERAIN

### TO OBTAIN WARRANTY PARTS OR INFORMATION

Contact your SUMERAIN retailer or contact technical service at: [supports@sumerain.com](mailto:supports@sumerain.com),In requesting warranty service, you will need to provide

1. The sales receipt or other evidence of the date and the place of purchase.
2. A description of the problem (Download URL: <http://www.sumerain.com/download/servicerequest/sheet.pdf> and fill out the Service Request Sheet).
3. Delivery of the product or the defective part, postage prepaid and carefully packed and insured to sumerain

When warranty service is completed, any repaired or replacement product or part will be returned to you postage prepaid.

### EXCLUSIONS AND LIMITATIONS

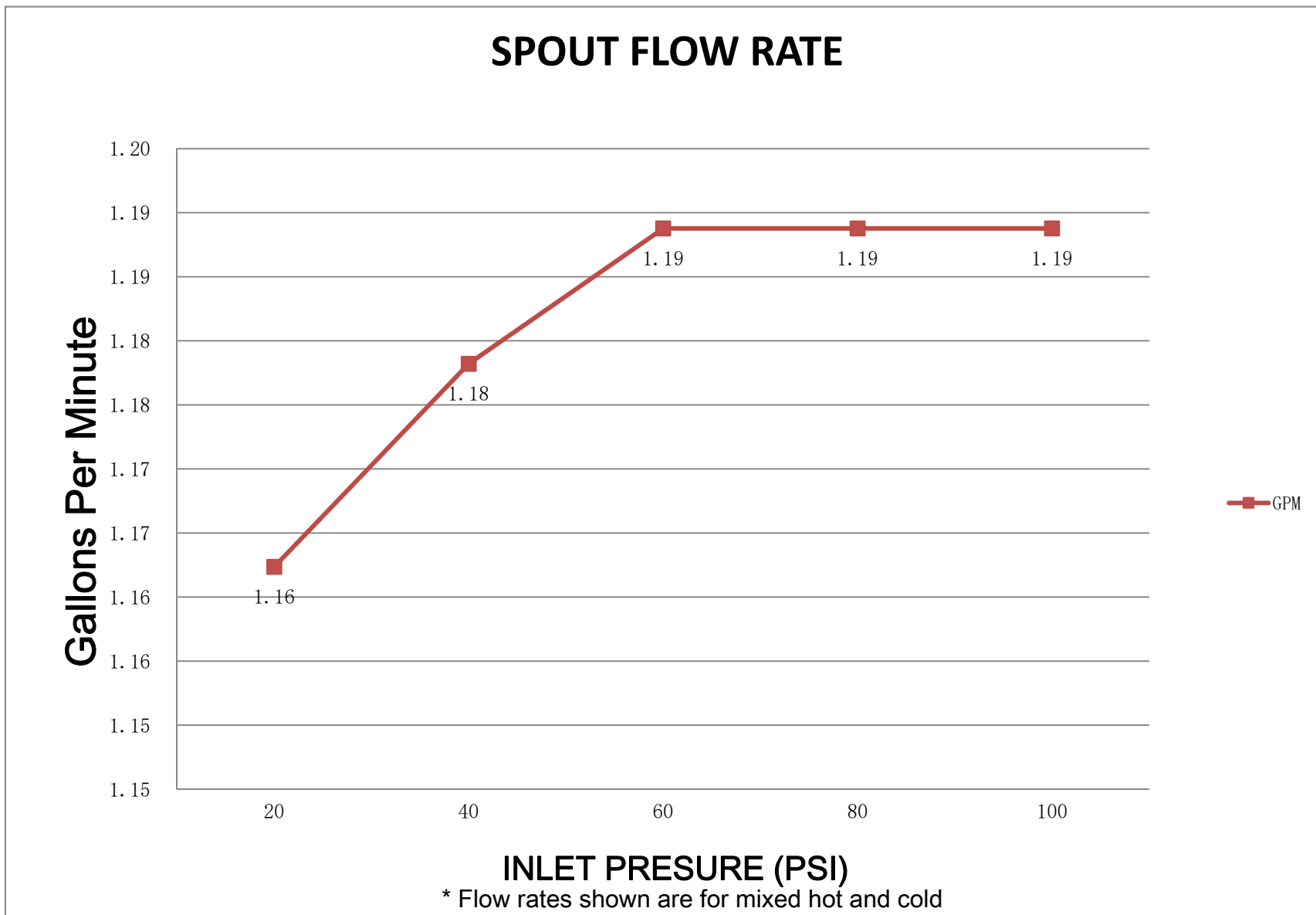
Repair or replacement (or, in limited circumstances, refund of the purchase price) as provided under this warranty is the exclusive remedy of the purchaser. SUMERAIN neither assumes nor authorizes any person to create for it any obligation or liability in connection with this product.SUMERAIN shall not be liable to purchaser or any person for any incidental, special, or consequential damages, arising out of breach of this warranty or any implied warranty (including merchantability) Some states do not allow the exclusion or limitation of incidental or consequential damages, so the above limitation or exclusion may not apply to you. This warranty gives you specific legal right, and you may have other rights which vary from state to state. You may be required by law to give us a reasonable opportunity to correct or cure any failure to comply before you can bring any action in court against us under the Magnusson-moss warranty Act.

### PRODUCT INSTRUCTIONS AND QUESTIONS

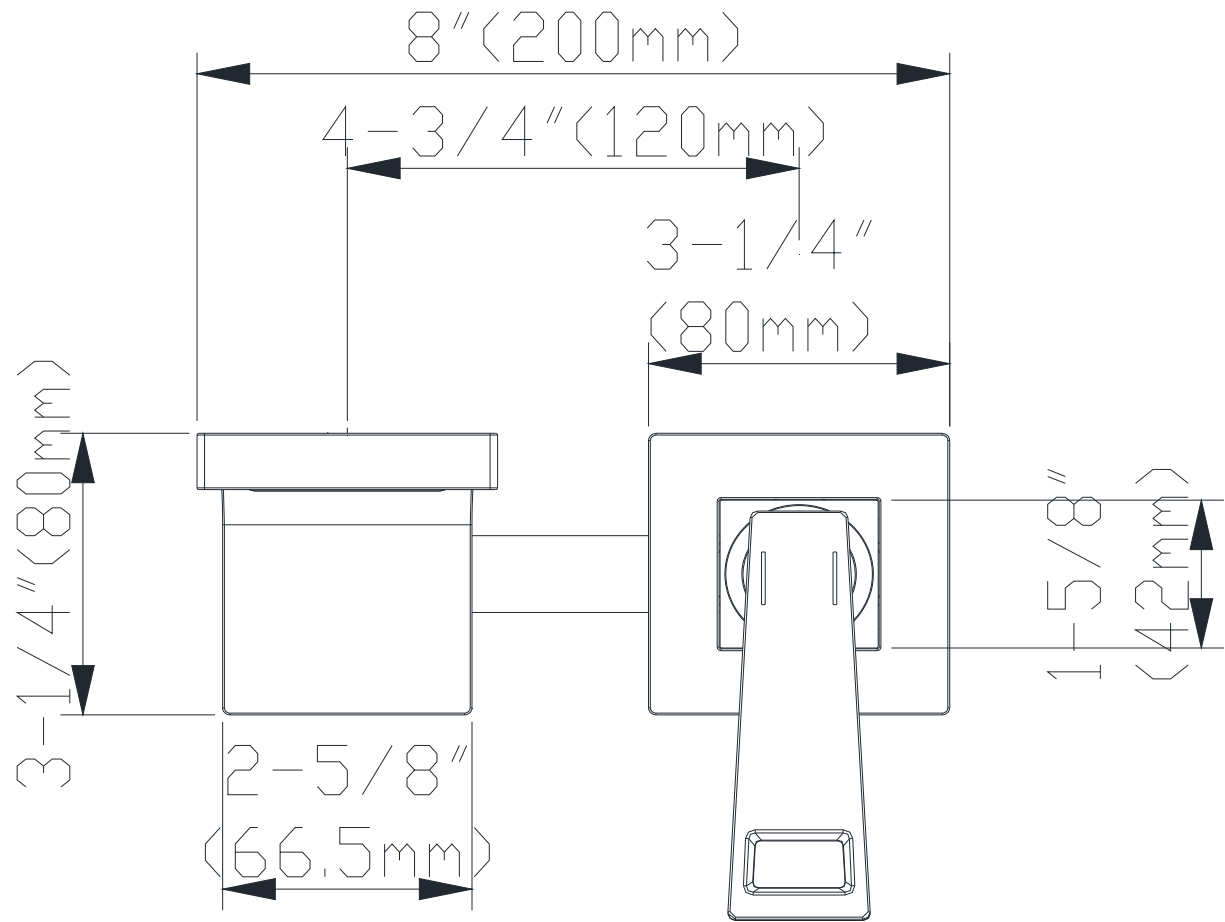
Upon purchase or prior to installation, please carefully inspect your SUMERAIN product for any damage or visible defect. Prior to installing, always carefully study the enclosed instructions on the proper installation and the care and maintenance of the product. if you have questions at any time about the use,installation,or performance of your SUMERAIN product, or this warranty, please call or email us at +1-866-203-0866, [supports@sumerain.com](mailto:supports@sumerain.com).

## FUNCTIONS AND SPECIFICATION

<b>Function</b>	Wall-mounted basin mixer
<b>Feature</b>	Wall mount
<b>Theme</b>	Modern ,Contemporary
<b>Configuration</b>	Vessel
<b>Finish</b>	Chrome / Nickel brushed/Matte Black/Brushed Gold/ Black and Brushed Gold
<b>Installation Holes</b>	Two
<b>Number of Handles</b>	One
<b>Handle style</b>	Lever
<b>Faucet Total Height</b>	non-adjustable
<b>Spout Reach</b>	230mm [9"]
<b>Spout Height</b>	non-adjustable
<b>Installation type</b>	Wall mounted
<b>Valve Type</b>	35# Ceramic disc
<b>Faucet Body Material</b>	Brass
<b>Spout Material</b>	Brass
<b>Handle Material</b>	Metal
<b>Net Weight</b>	2.54KG[5.60 lbs]
<b>Gross Weight</b>	2.91KG[6.42 lbs]
<b>Working water press</b>	0.2 ~1.0 Mpa
<b>Flow Rate@60PSI</b>	1.2 GPM [4.5L/M]
<b>Packing box size</b>	12-5/8"[320mm] x 9-1/4"[235mm] x 4-1/8"[105mm]

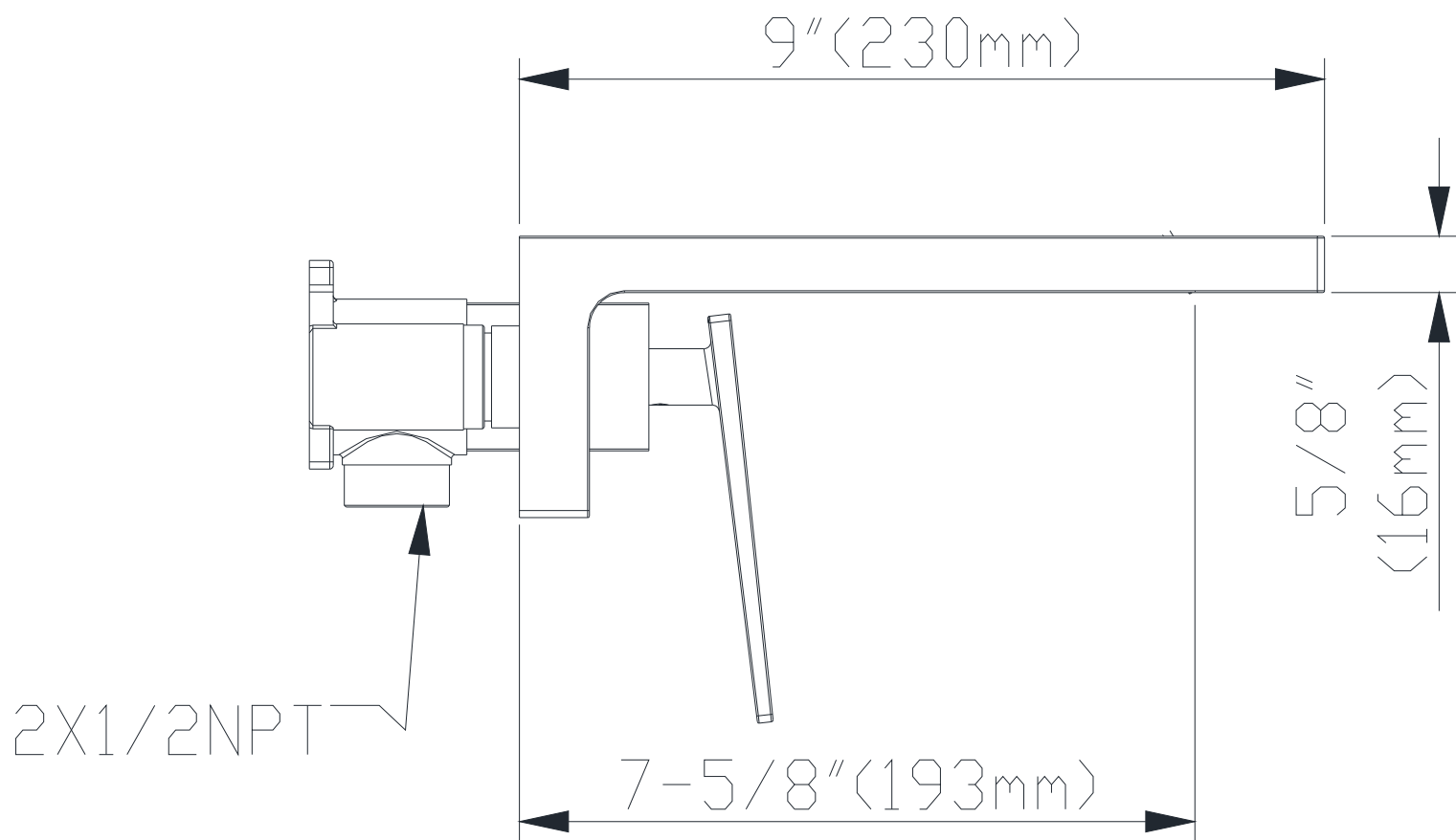


DEMENSION



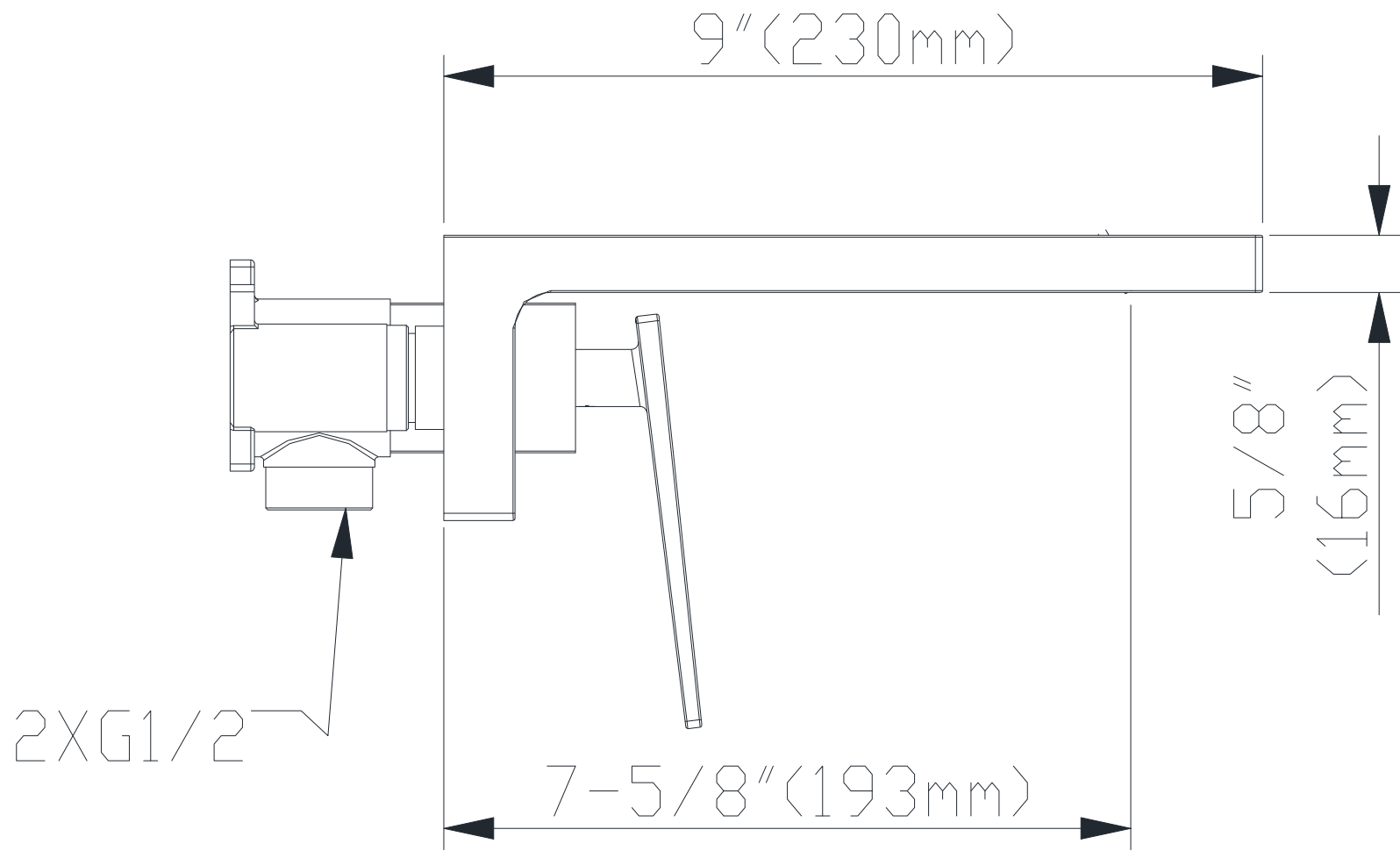
FRONT VIEW OF FAUCET

North America

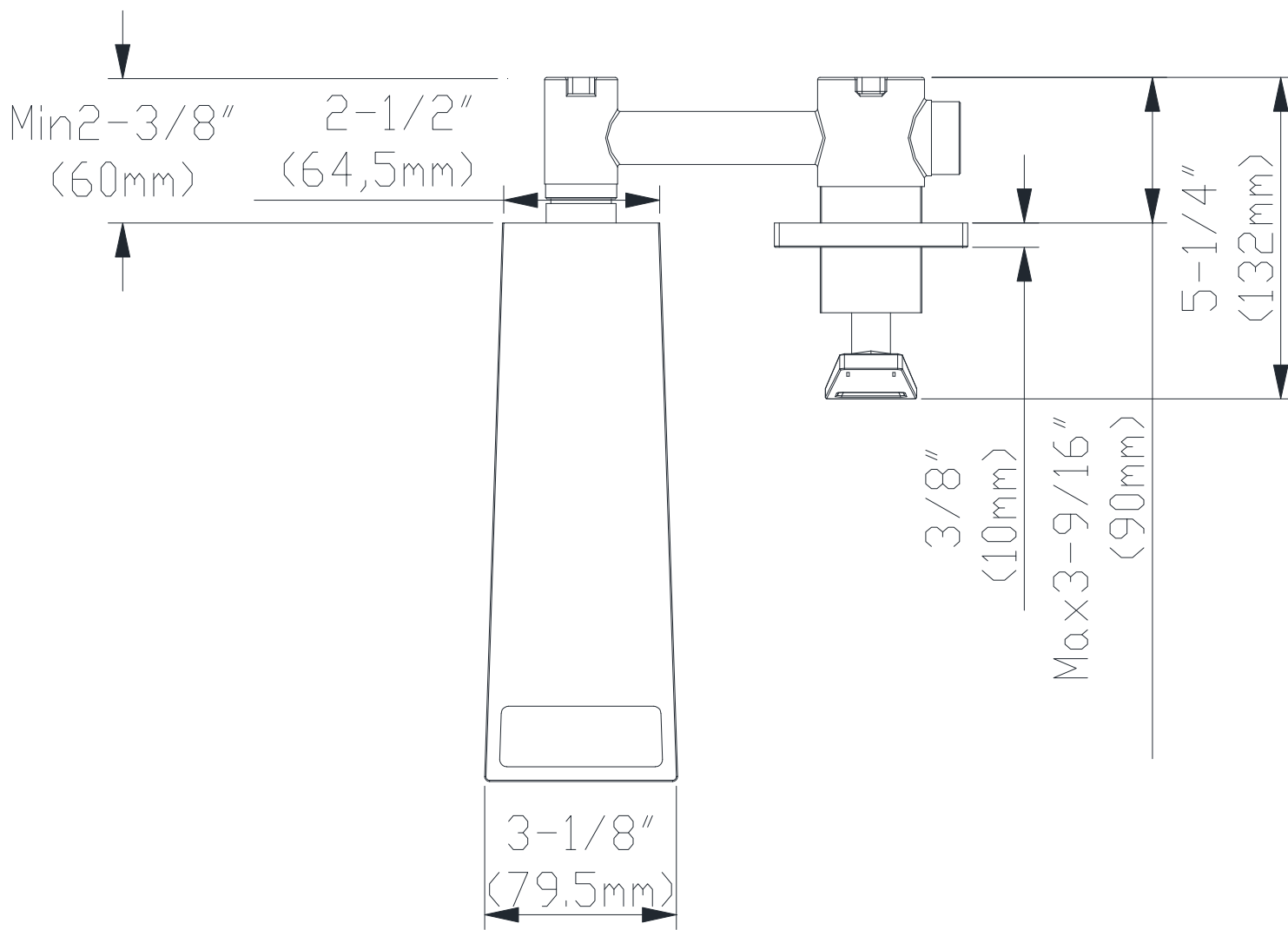


Side view of faucet

Europe & Asian



Side view of faucet



TOP VIEW OF FAUCET

## INSTALLATION STEPS

### 1. BEFORE PROCEEDING



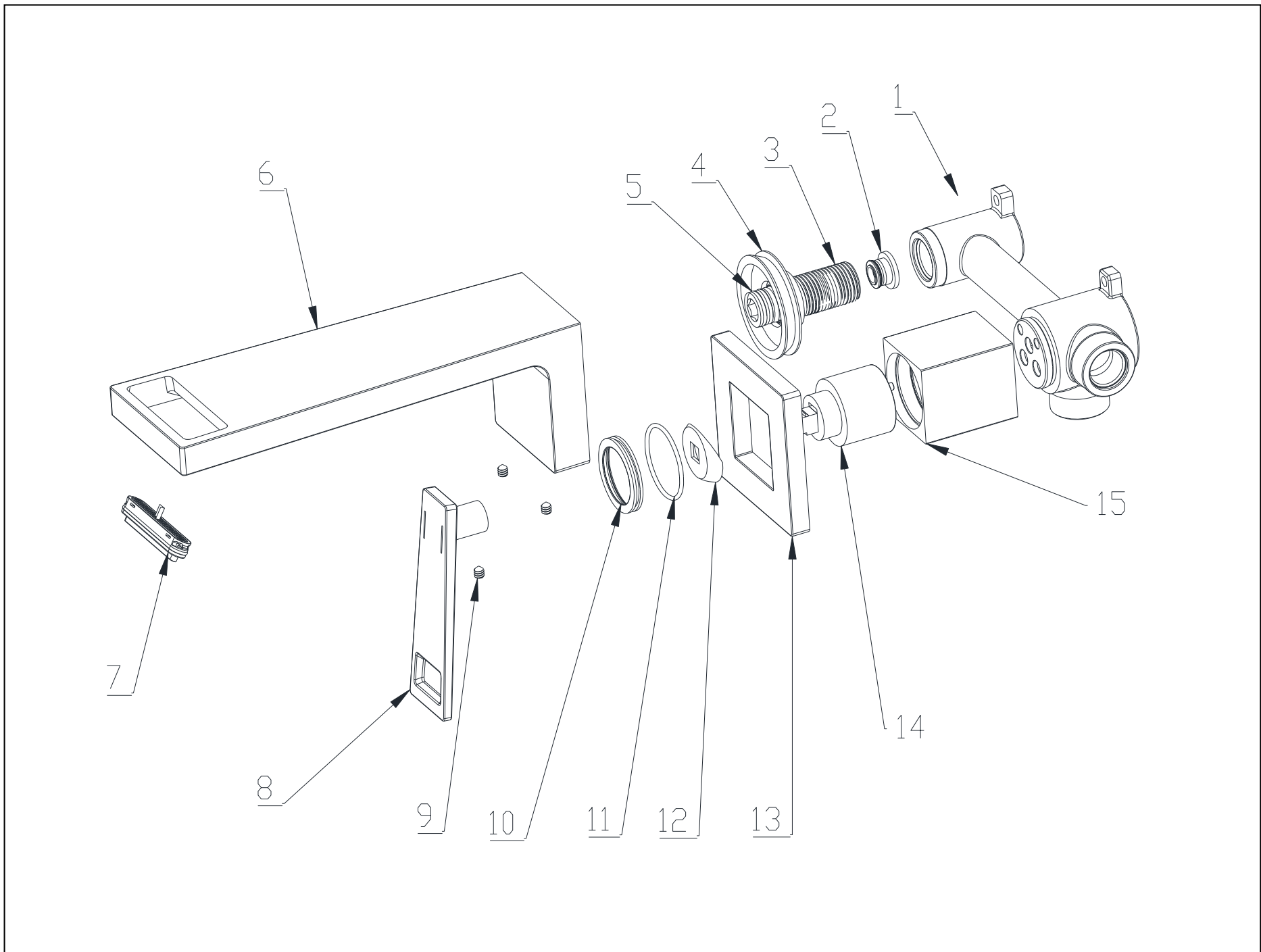
**WARNING:** Read all the instructions completely before proceeding. SUMERAIN recommends calling a professional if you are uncertain about installing this product!, this product should be installed in accordance with all local and state plumbing and building codes.

### 2. SHUT OFF WATER SUPPLY

Locate water supply inlets and shut off the water supply valves. These are usually found near the water meter. if you are replacing an existing unit, remove the old unit and clean the mounting surface thoroughly.

### 3. CHECKING THE CONTENTS OF THE BOX

Upon opening the box, check to ensure that all the following items are included.

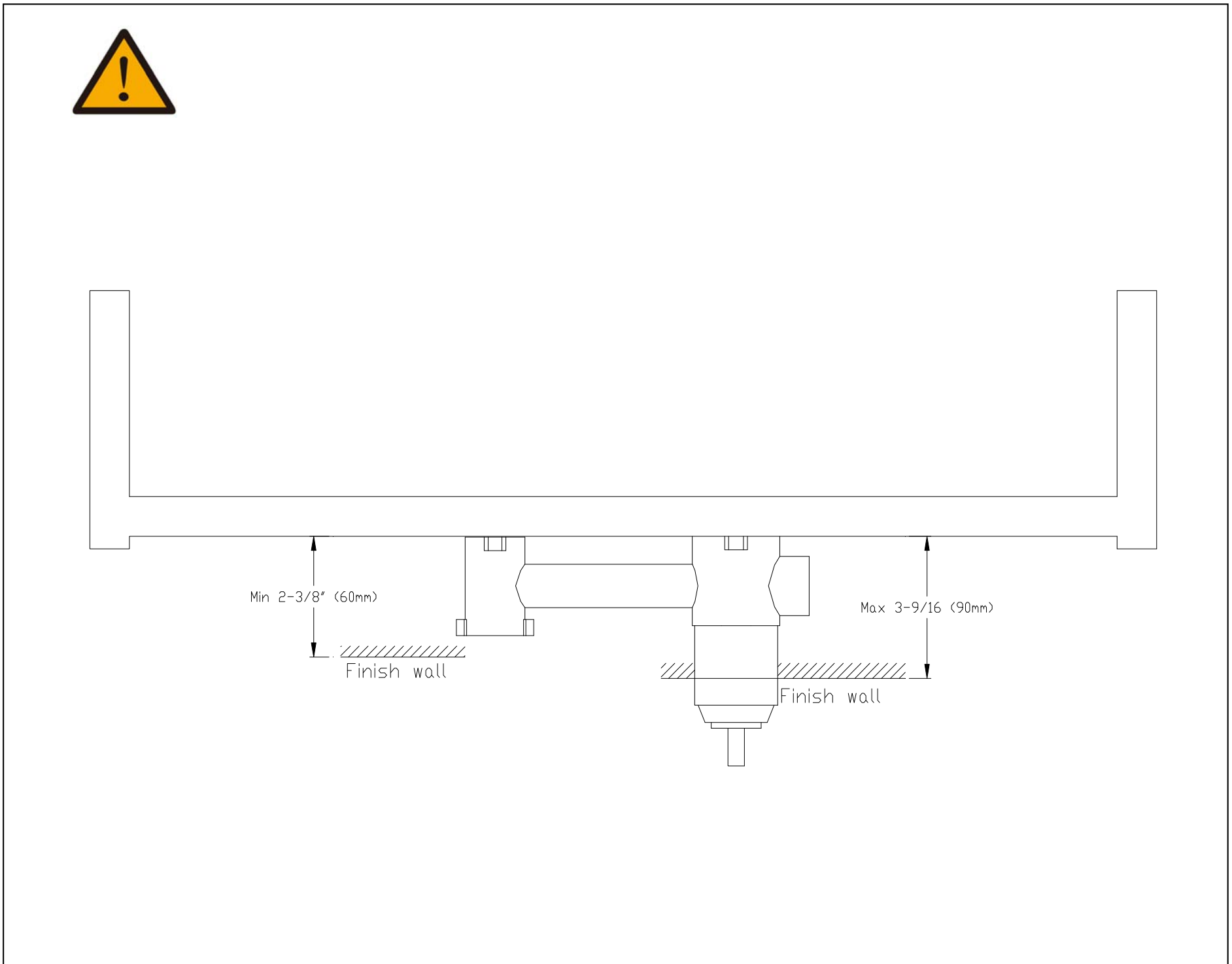
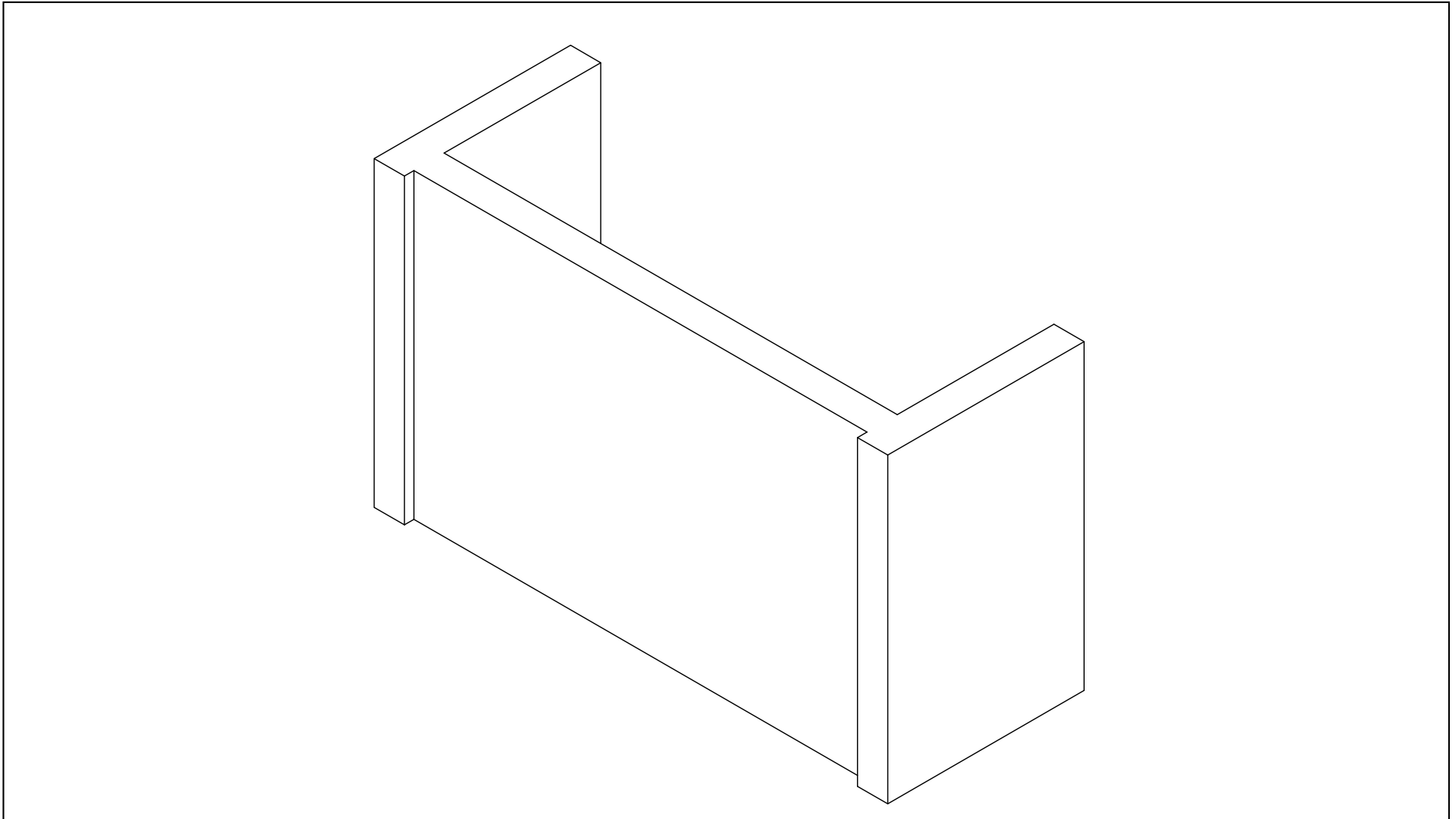


NO	ITEM NAME	MATERIAL	QTY	PART NO.	NO	ITEM NAME	MATERIAL	QTY	PART NO.
1	Rough-in valve	HPB59-1	1	PVB13710PB	9	Set screw	SUS304	3	PSC05051XX
2	Embedded gasket	ASSEMBLE	1	PAE00040XX	10	Bonnet	HPB59-1	1	PFC14281XX
3	Spout shank	HPB59-1	1	PCN14281XX	11	O-Ring	NBR	1	POR40020XX
4	Fixed joints	HPB59-1	1	PCN14280XX	12	Handle cover	Zn Alloy No.3	1	PFC14280XX
5	O-Ring	NBR	3	POR19020XX	13	Escutcheon	SUS304	1	PEC14280XX
6	Spout	HPB59-1	1	PSP14280XX	14	35#cartridge	ASSEMBLE	1	PCT35000XX
7	Waterfall net gall	ASSEMBLE	1	PAE14280XX	15	Brass sleeve	HPB59-1	1	PSL14280XX
8	Lever	Zn Alloy No.3	1	PHD14280XX					

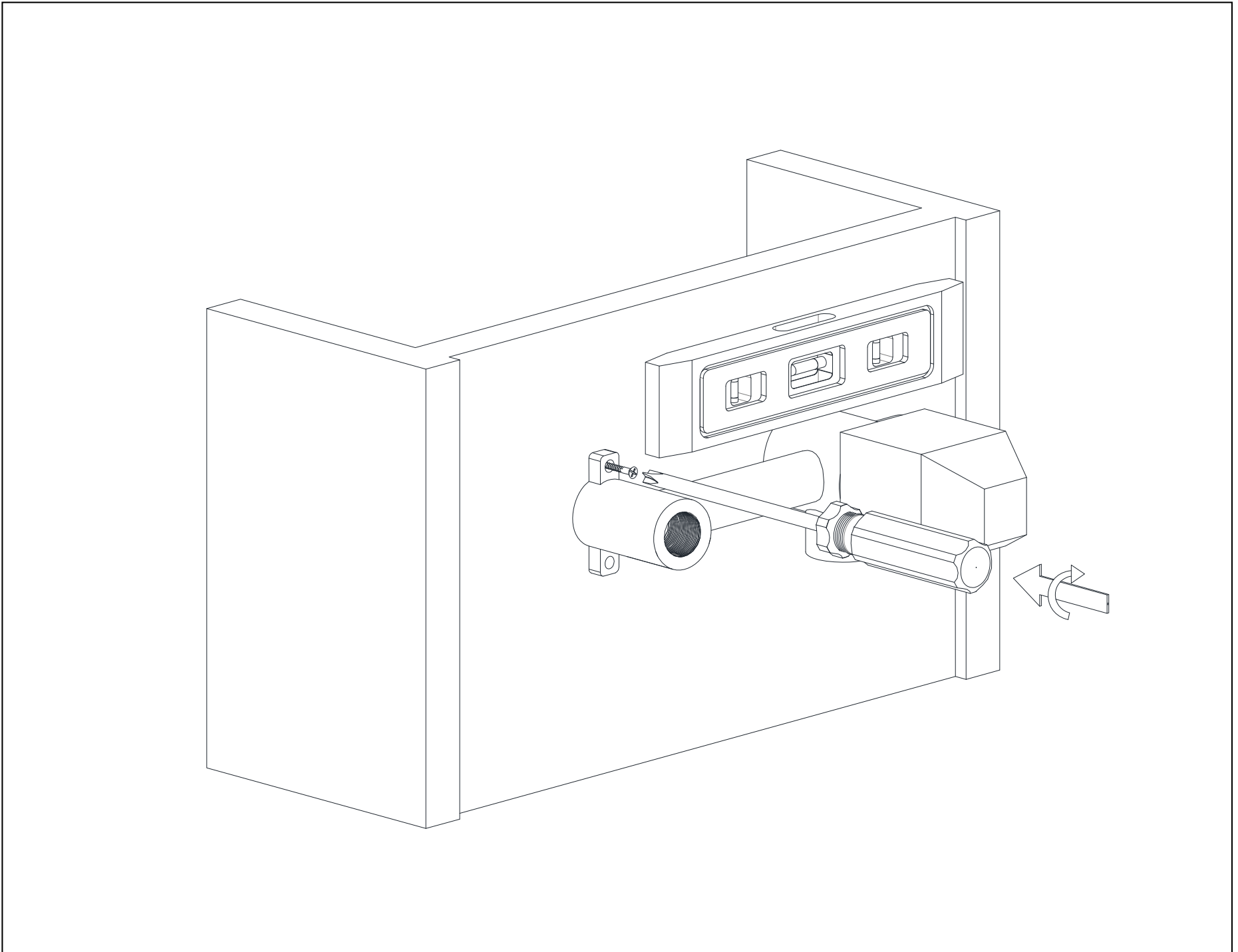
If any of these items are missing, please contact SUMERAIN consumer service by email to: [support@sumerain.com](mailto:supports@sumerain.com)

#### **4. VALVE TRIM SET INSTALLATION**

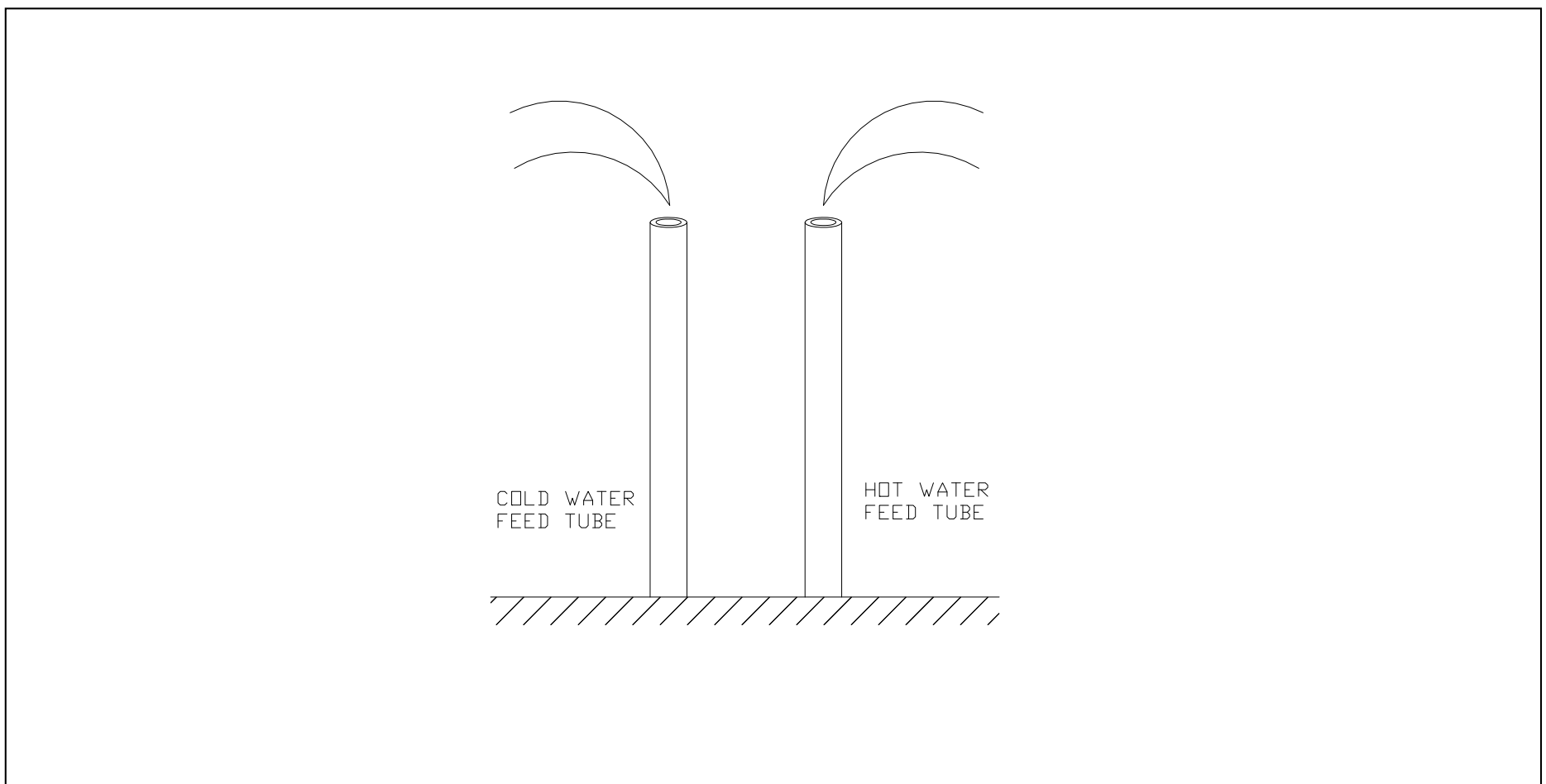
4.1 Construct a mounting rack for the rough-in valve using wood as the material. Ensure that the face of the mounting rack is positioned at least 2-3/8 inches (60 mm) and no more than 3-9/16 inches (90 mm) behind the finished wall surface.



4.2 Secure the rough-in valve to the mounting rack with screws (screws not including).



4.3 Turn on your shut-off valve for cleaning the hot and cold water supply tube before connect to the valve trim, allow the water flush 3~5 minutes to flush out dirt and debris. Shut off the water supply again after finish.

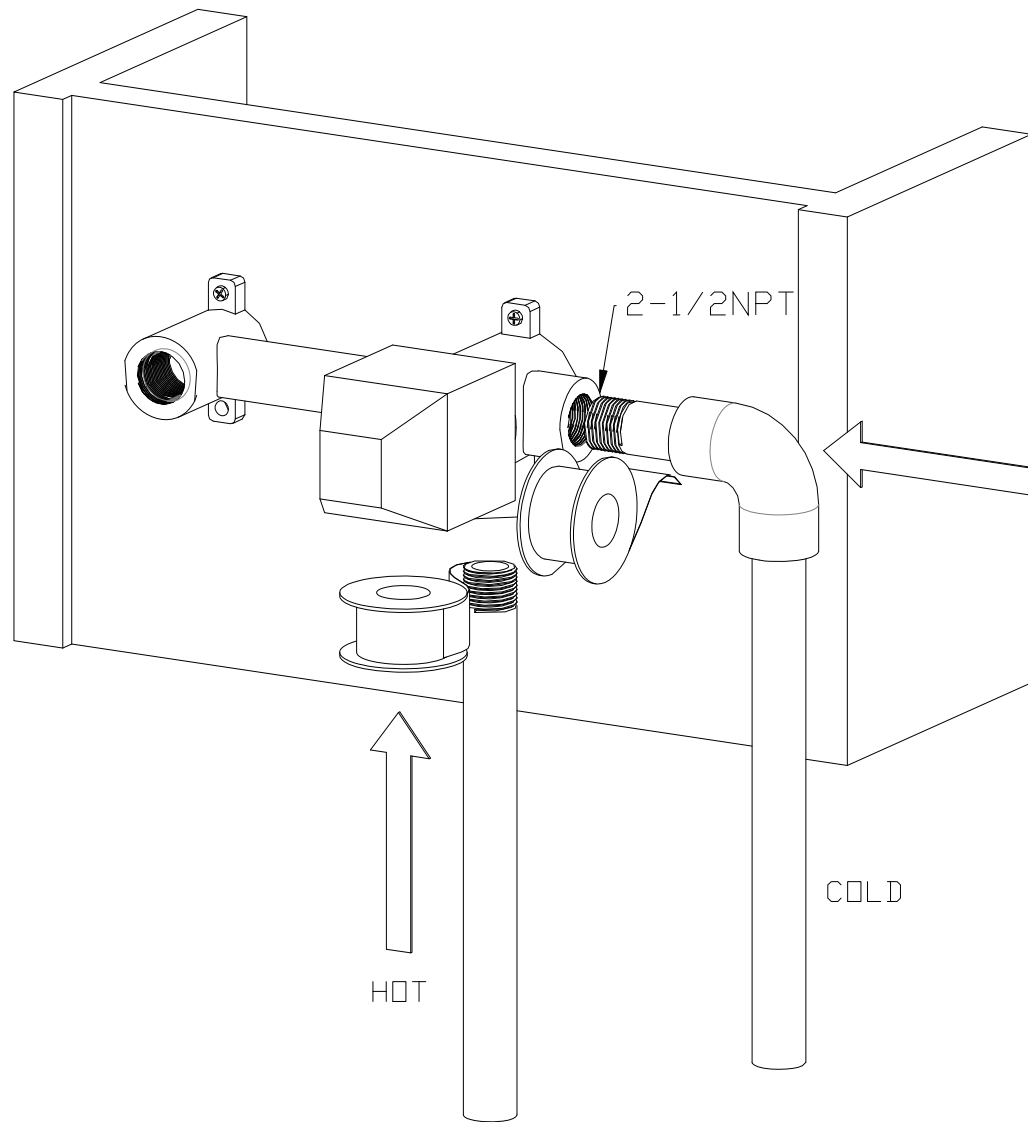


4.4 Wrap Teflon tape clockwise around the thread of the supply tube outlet to ensure a tight seal. Use enough tape to cover the threads fully without overwrapping. After applying the tape, attach the supply tube outlet to the rough-in valve using an elbow. Make sure the connection is secure and leak-free. Note the thread specifications for the rough-in valve as follows:

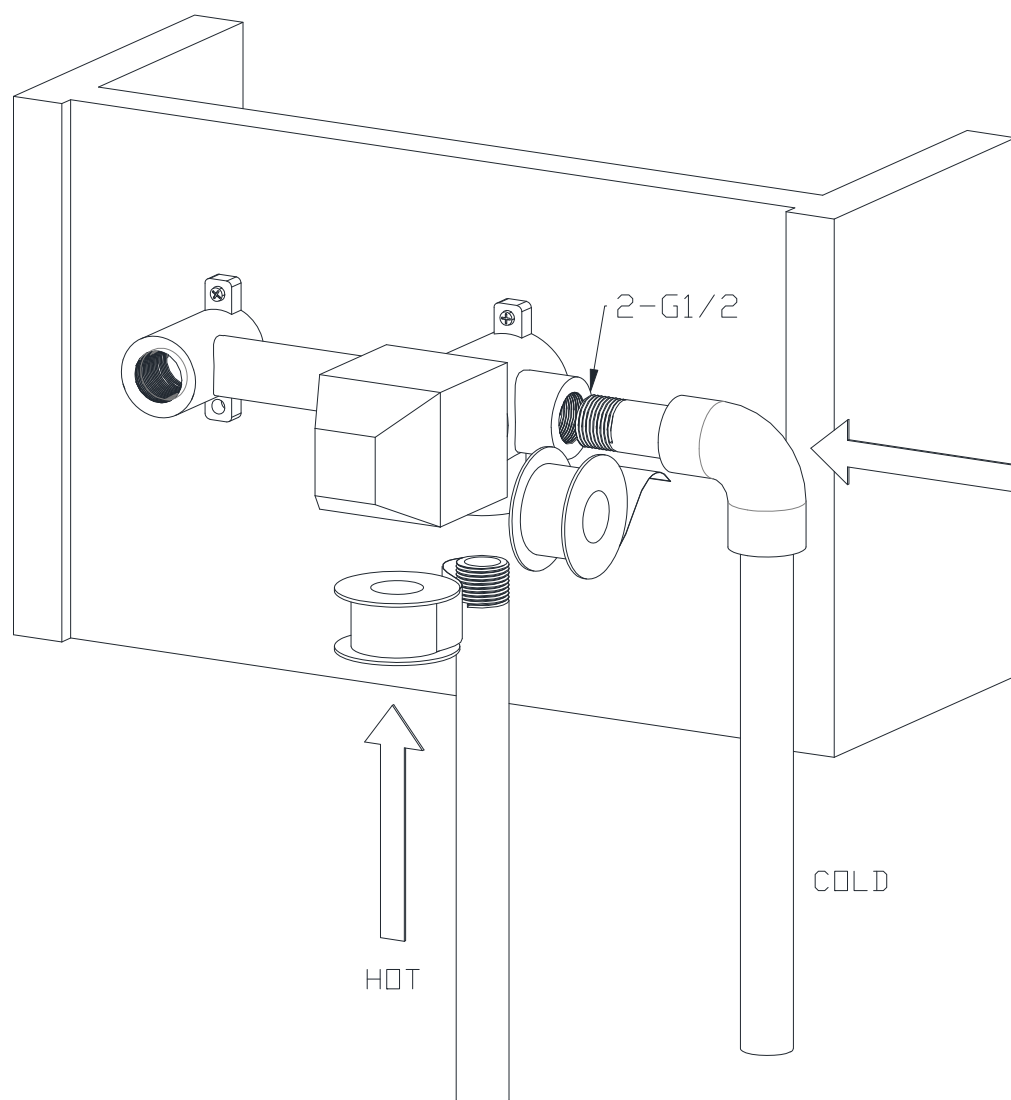
For Hot & Cold water inlet in the US and Canada: 1/2-14 NPT

For Hot & Cold water inlet in the UK, EU, and other regions: G1/2"

**North America**

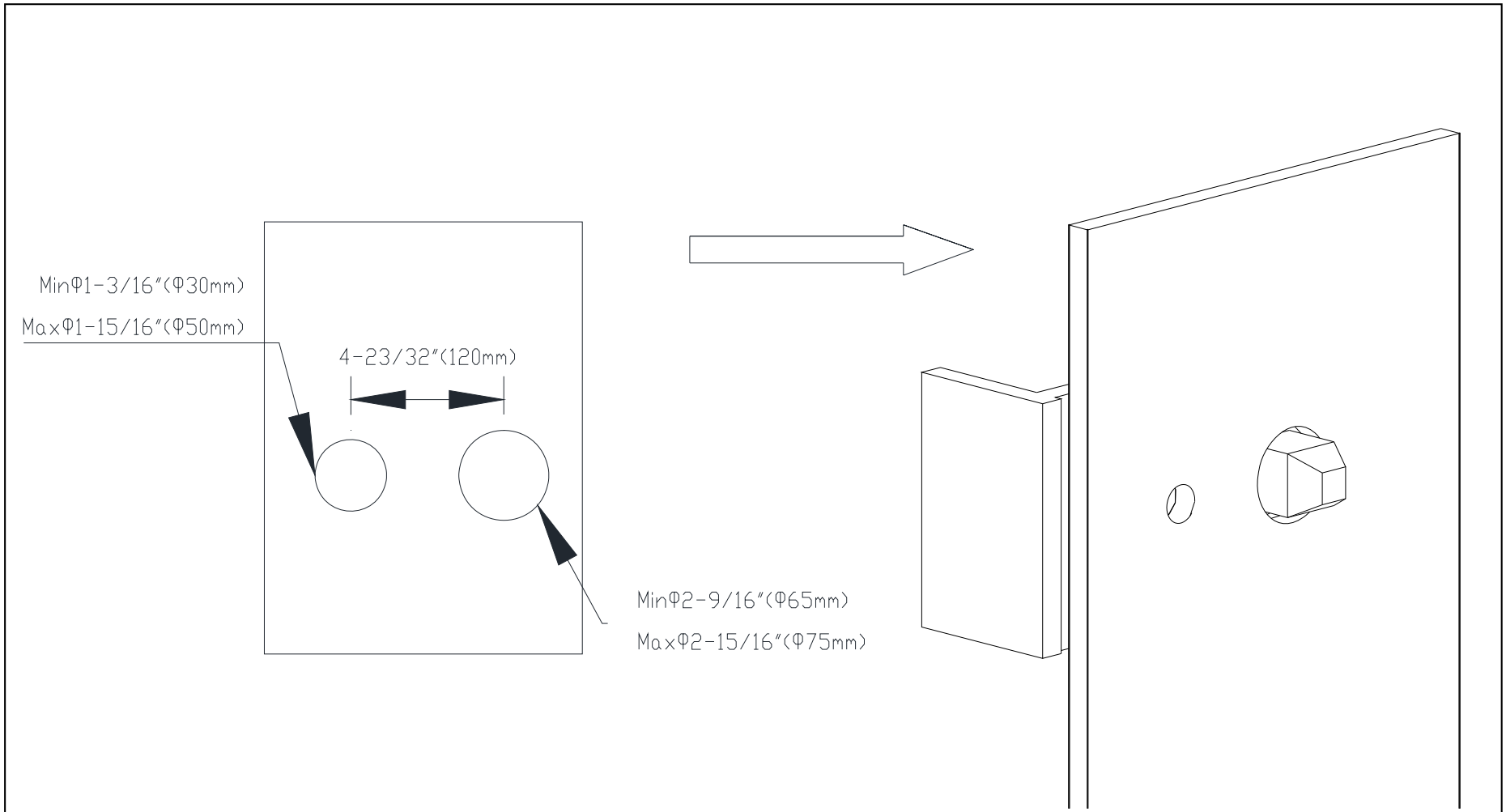


**Europe**

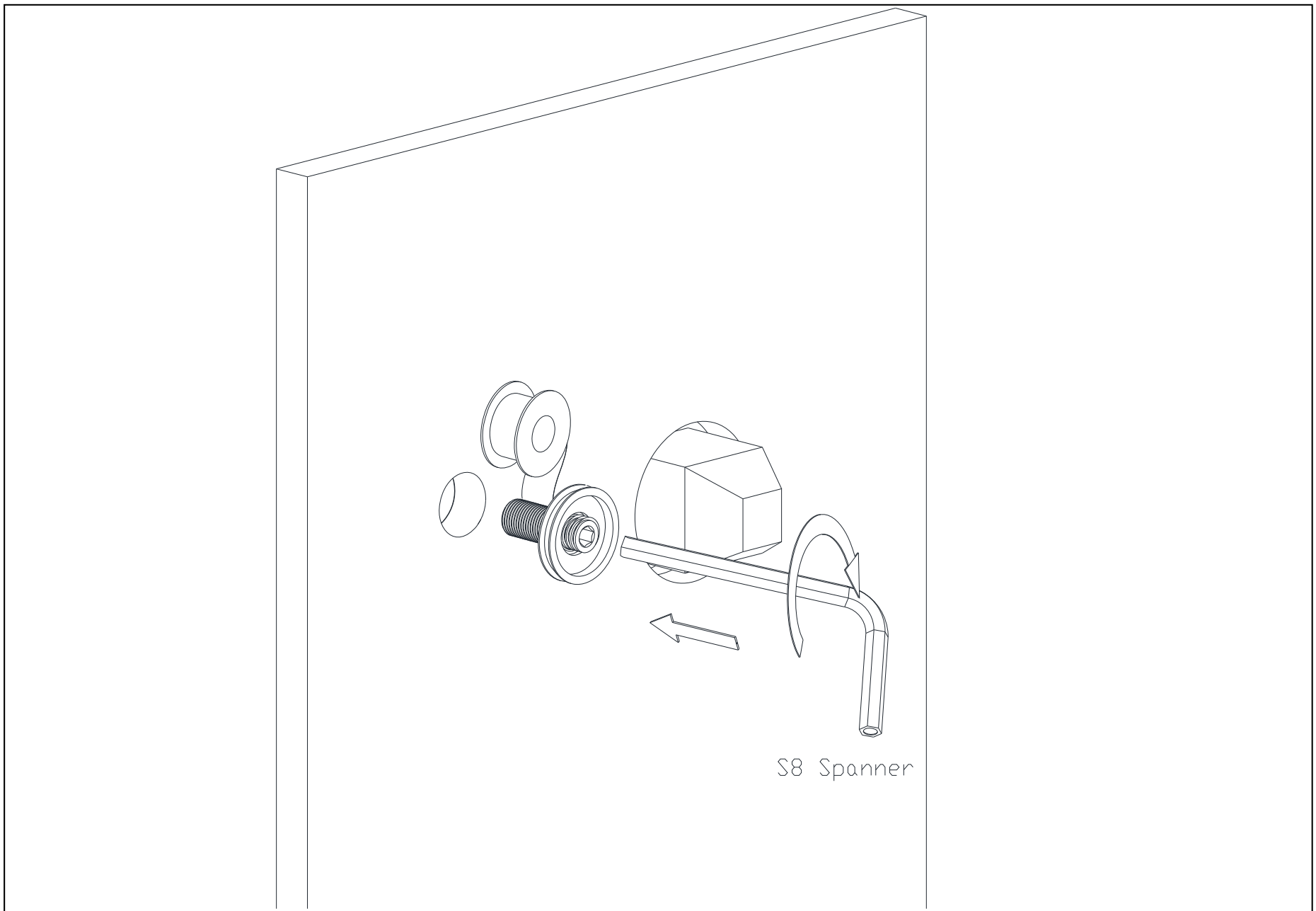


**4.5** Drill the hole at the designated valve body location on the finished wall and complete the installation of the finished wall.

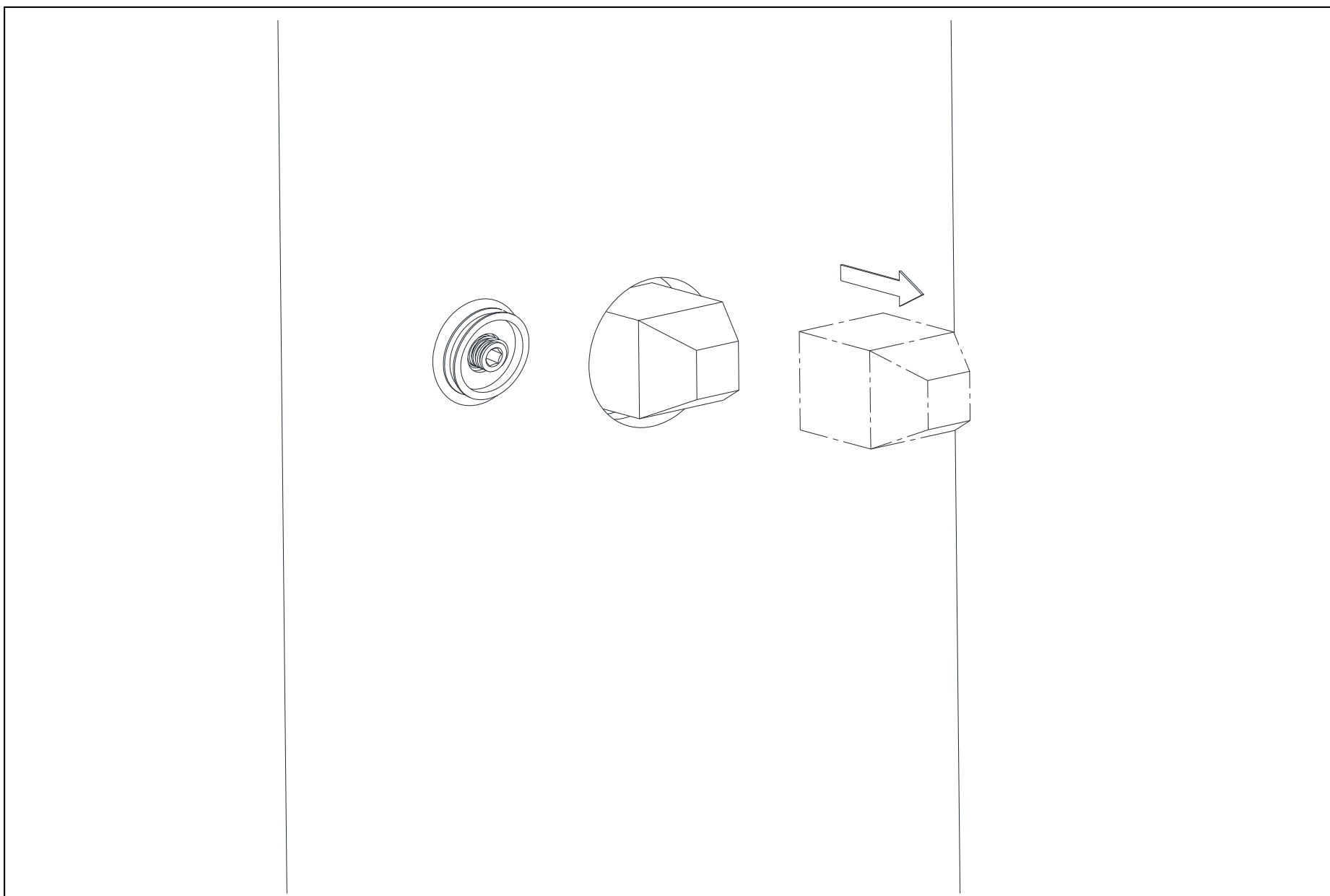
**!** Attention: For the finished wall, the installation hole on the left side should have a maximum diameter of 1-15/16 inches (50 mm) and a minimum of 1-3/16 inches (30 mm). On the right side, the hole must have a maximum diameter of 2-15/16 inches (75 mm) and a minimum of 2-9/16 inches (65 mm). The center-to-center distance between the left and right holes should be 4-23/32 inches (120 mm).



**4.6** Wrap Teflon tape around the threads of the nipple in a clockwise direction. Ensure the tape is evenly and securely wrapped. Then, connect the nipple to the rough-in valve.



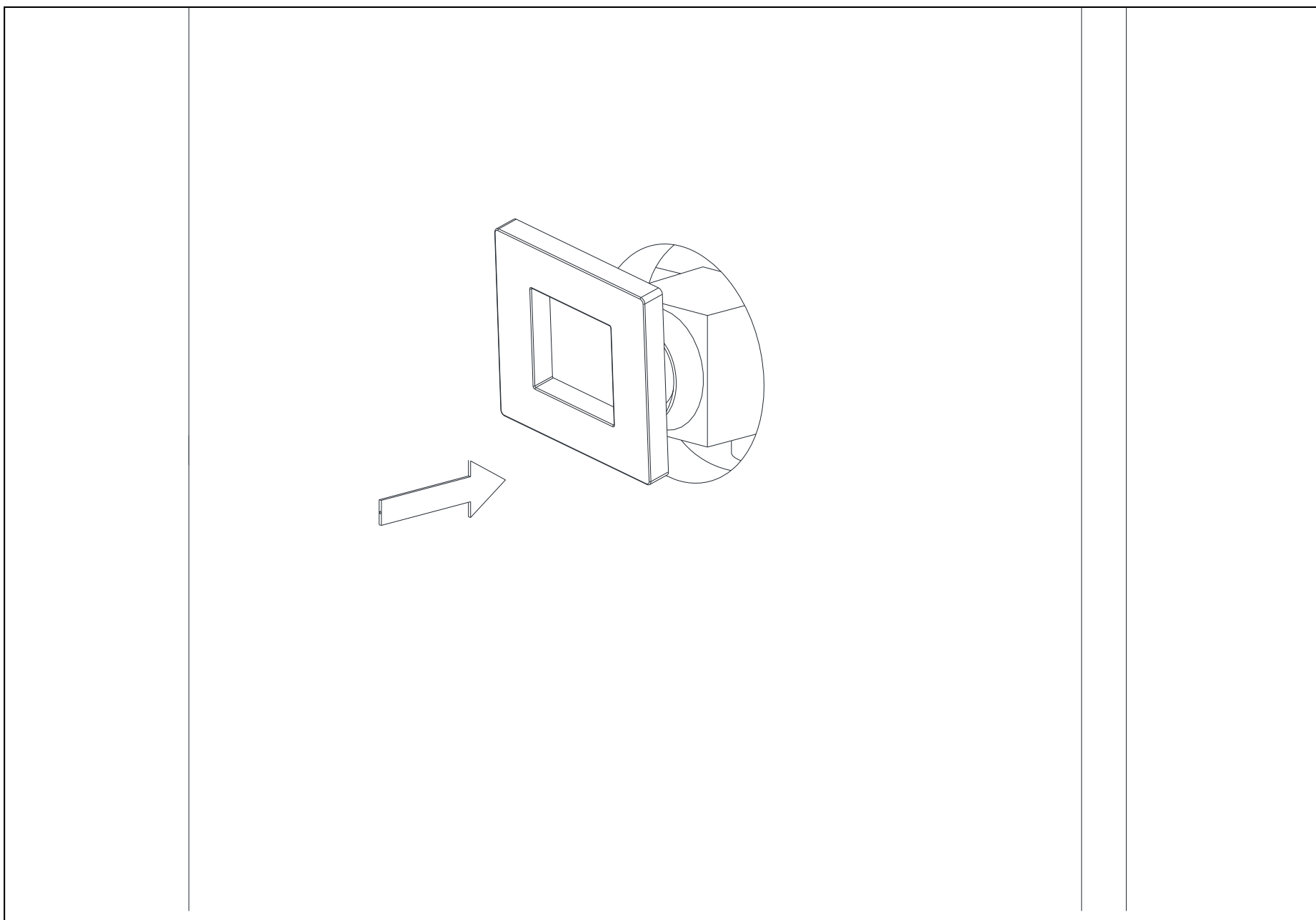
4.7 Carefully remove the plastic protective sleeve from the valve body. Ensure that the valve is not damaged during the removal process.



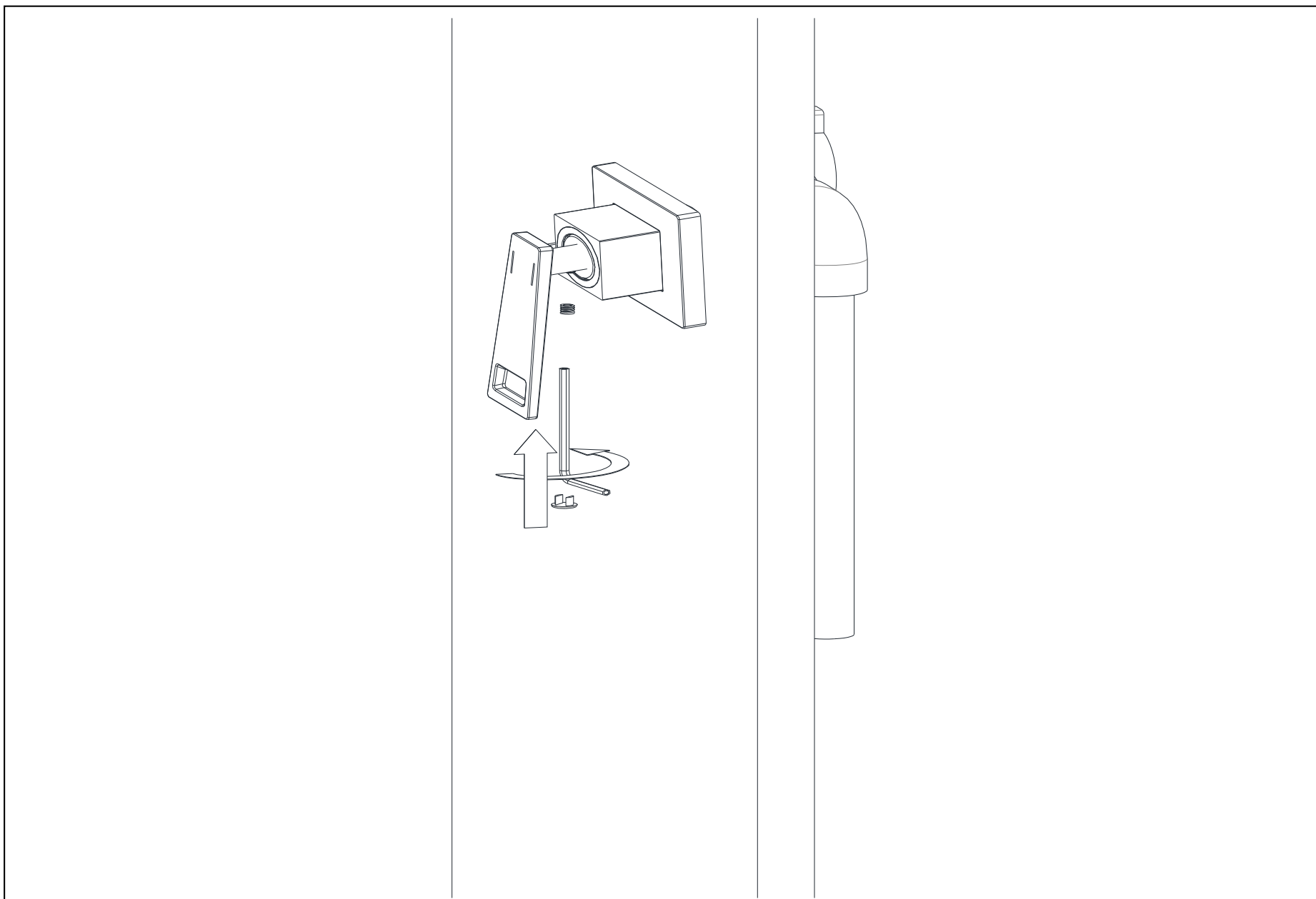
4.8 Secure the escutcheon to the wall, ensuring it is properly aligned and firm. Apply waterproof sealant around the plaster shield to create a water-tight seal, preventing any moisture ingress.



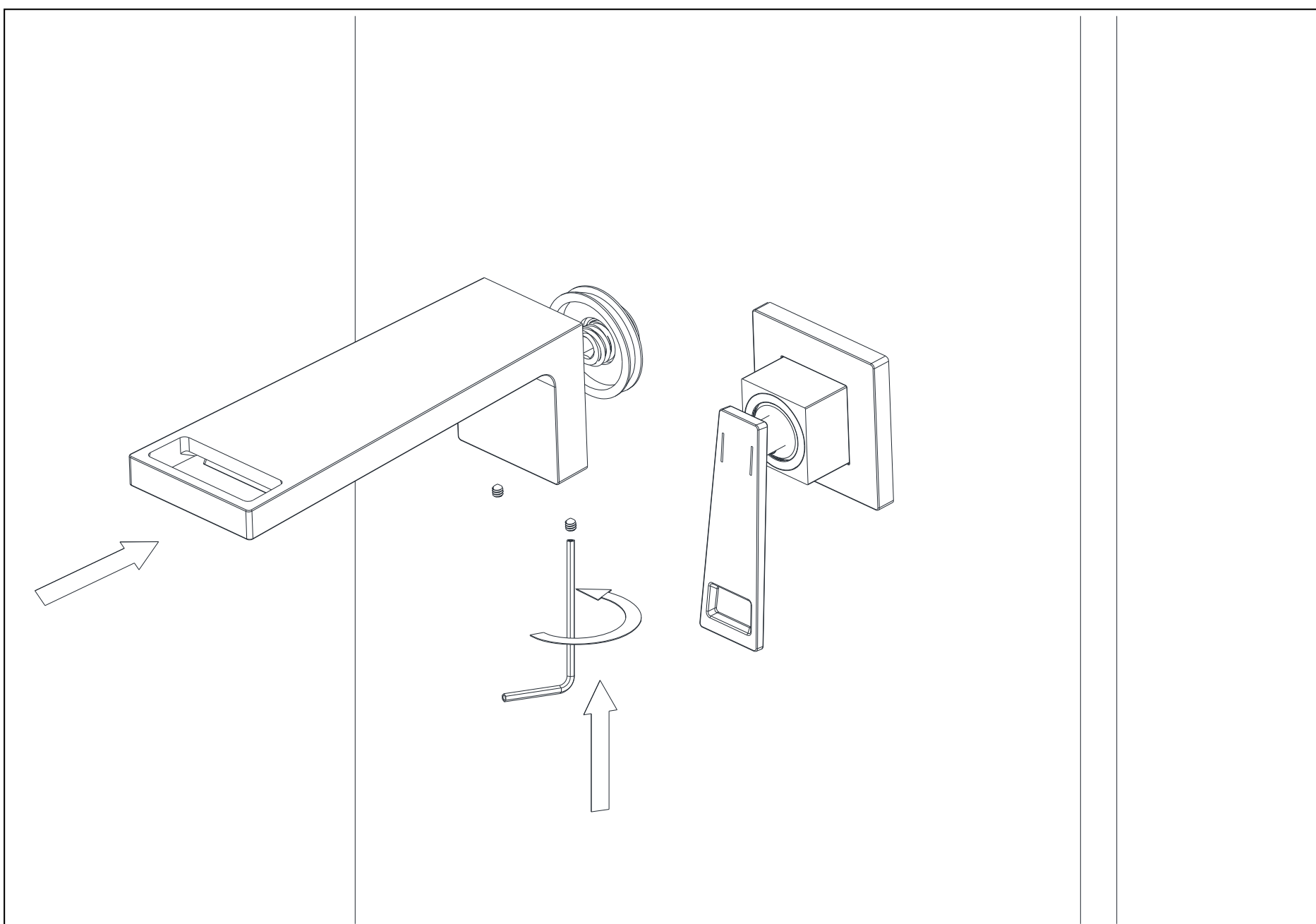
**WARNING:** Failure to seal the wall can lead to possible water damage.



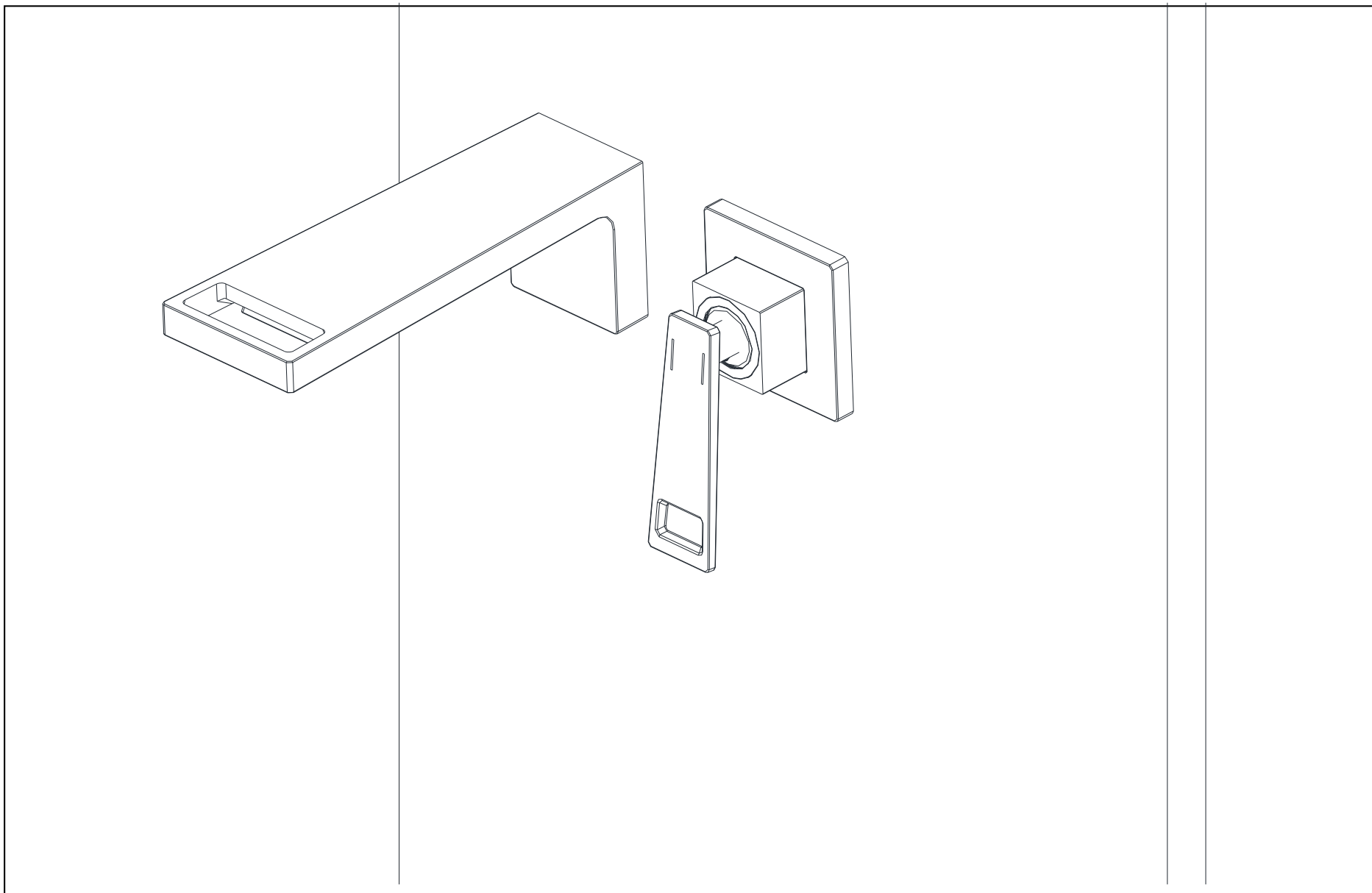
**4.9** Attach the handle to the valve stem. Using the included hex key, tighten the set screw by turning it clockwise. Be careful not to over tighten to avoid damaging the screw or handle. After tightening, place the screw cover over the set screw hole on the handle to conceal it.



**4.10** Align the faucet spout with the water nipple on the valve body and push it firmly into place. Adjust the spout to ensure it is horizontal. Using the included hex key, tighten the two set screws located at the bottom of the spout to secure it. Ensure the spout is stable and securely attached.



**ASSEMBLE FINISHED**

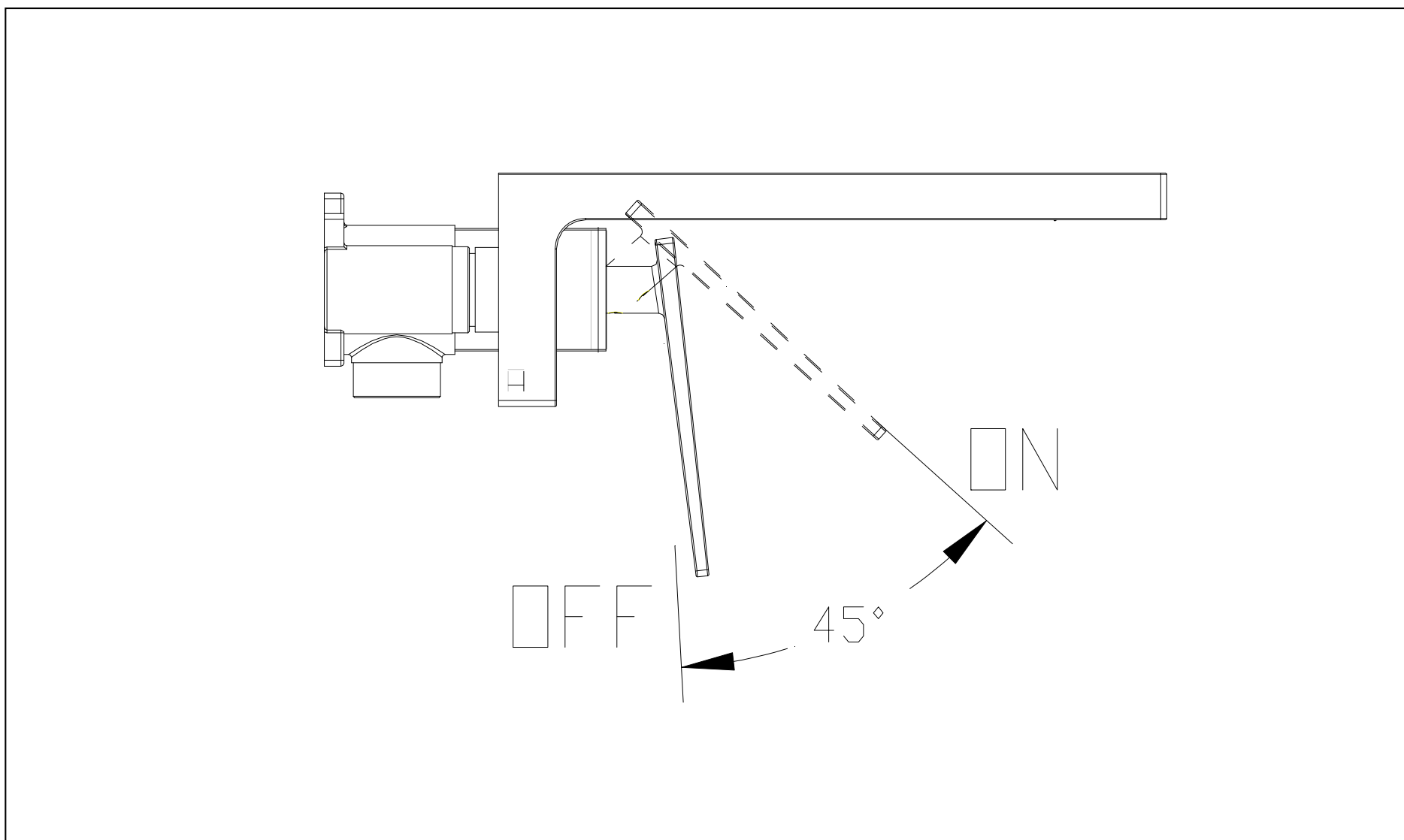


**5. INSPECTION**

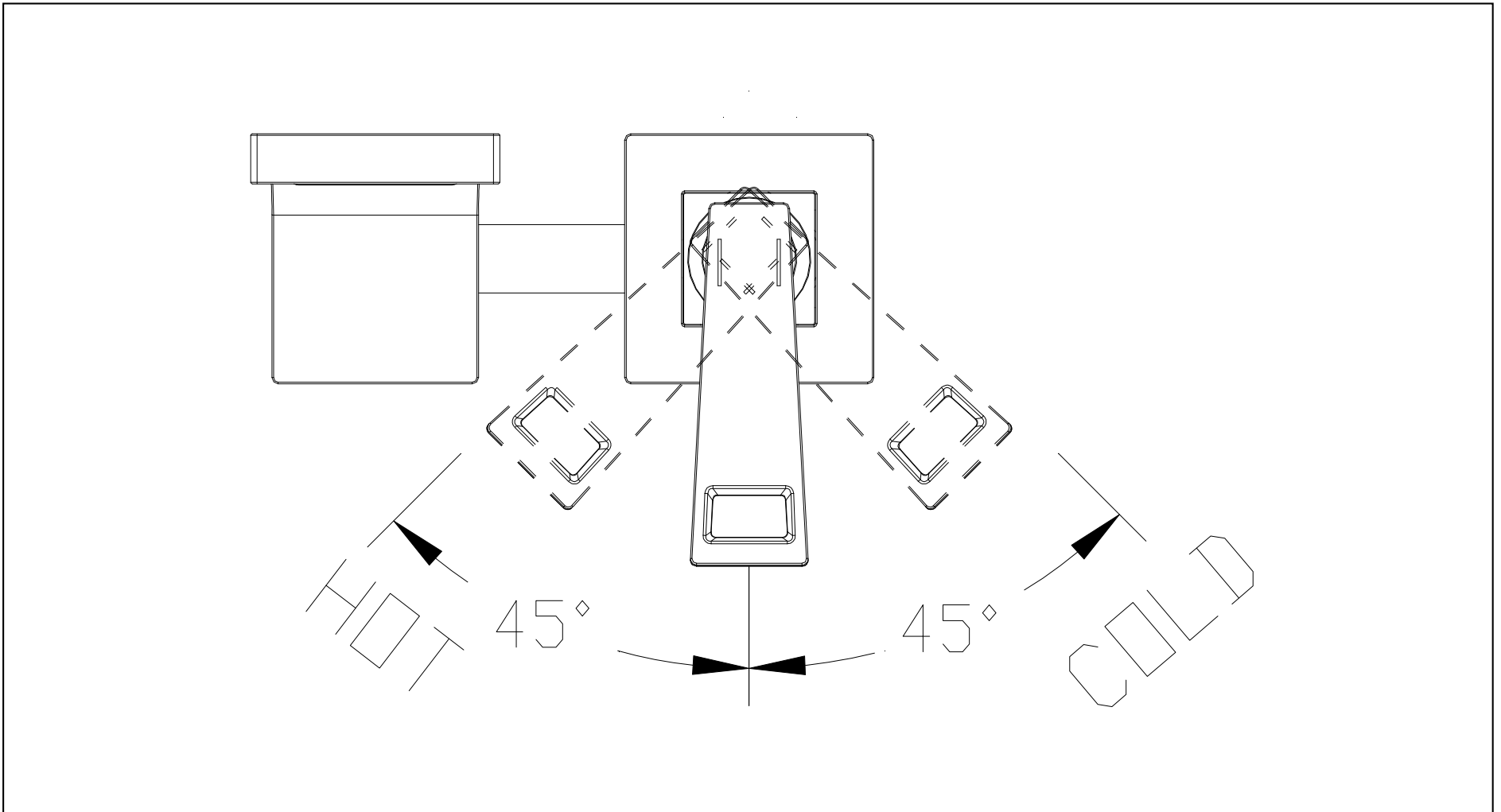
5.1 Turn on hot and cold water supply and check all connection for ensuring no leaking anywhere.

**6. FUNCTION INSPECTION**

6.1 Turn on the handle, the water outflow from the spout and then turn off the handle, the water stop out flowing.

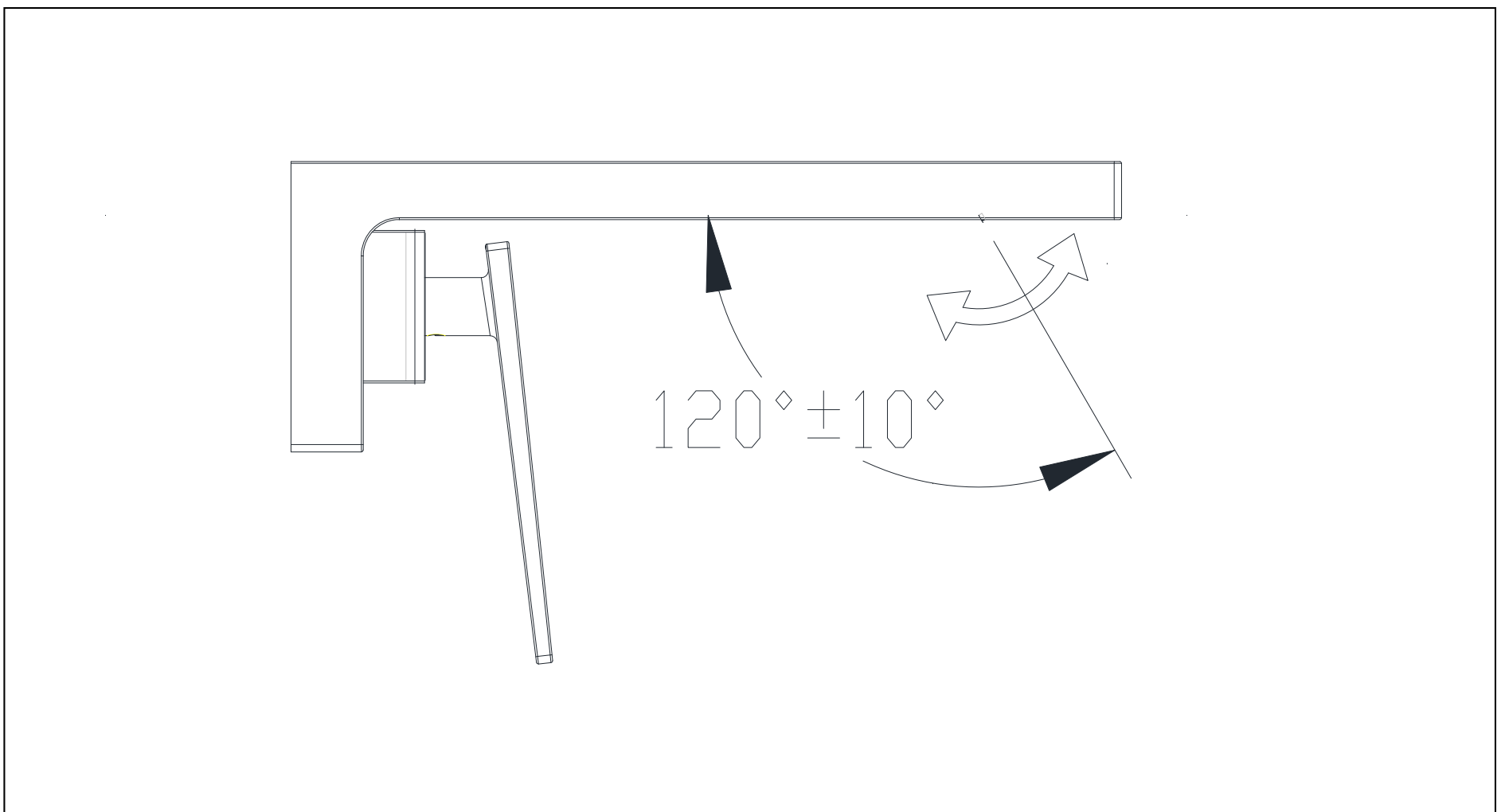


**6.2** Turn right the handle, the cold water coming, on the contrary way, turn left the handle, hot water coming.



**6.3 Instructions for Adjustable Faucet Spout**

Align the waterfall spout such that its standard discharge direction forms a 120-degree angle with the horizontal line. For optimal water flow direction, you can manually adjust the spout within a +/-10-degree range. Adjust it gently by hand to achieve the desired angle.



**INSTALL FINISH**

## CLEARNING RECOMMENDATION FOR SUMERAIN PRODUCTS

Modern lavatory faucets, kitchen faucets, and showers consist of very different materials to comply with the needs of the market with regard to design and functionality. To avoid damage and returns, it is necessary to consider certain criteria when cleaning.

### Cleaning Materials for faucets and showers

Acids are a necessary ingredient of cleaning materials for removing lime, however please pay attention to the following points when cleaning faucets and showers:

- Only use cleaning materials which are explicitly intended for this type of application.
- Never use cleaning materials which contain hydrochloric, formic, phosphoric, or acetic acid, as they cause considerable damage.
- Never mix one cleaning material with another.
- Never use cleaning materials or appliances with an abrasive effect, such as unsuitable cleaning powders, sponge pads, or micro fiber cloths.

### Cleaning instructions for faucets and showers

Please follow the cleaning material manufacturer's instructions. In addition, pay attention to the following points:

- Clean the faucets and showers as and when required.
- Use the amount of cleaning product and the amount of time recommended by the manufacturer. Do not leave the cleaner on the fixture longer than necessary.
- Regular cleaning can prevent calcification, if scale deposits are noticed on the faucet surface or the spout, you can clean it by a commercial limescale remover, such as Lime-Away® or CLR®. Dilute the remover according to the label instructions.
- The faucets might have some rusty if your faucet under hard water condition, please rub it with aluminum foil dipped in water until the surface is nice and smooth, and wipe it use a small amount of chrome polish or maybe something like car wax (such as Meguiar®, Turtle Wax®) or polish.
- For stainless steel faucet and spout both made of solid stainless, normally this finish has not protective coating on it (in particular waterfall spout inside), stainless steel is by its material nature very tarnish resistant, but by no means tarnish or stain proof. This finish might oxidize naturally over time and react to its environment. Keep your stainless fixture wiped clean and dry and use only a cleaner specifically made for stainless steel (such as Weiman®, CLR®).
- When using spray cleaners, spray first onto a soft cloth or sponge, never spray directly onto the faucet as droplets can enter openings and gaps and cause damage.
- After cleaning, rinse thoroughly with clean water to remove any cleaner residue.

### Important

Residues of liquid soaps, shampoos, and shower foams can also cause damage, so rinse with clean water after using.



**Please note:** if the surface is already damaged, the effect of cleaning materials will cause further damage.

**Components with damaged surfaces must be replaced or injury could result.**

**Damage caused by improper treatment is not covered under the warranty.**

# SUMERAIN®

### SUMERAIN INTERNATIONAL GROUP INC

**Address:** 1226 NORTH KING ST NUM 522  
WILMINGTON, DE 19801  
United States

**Tel:** +1(866)203-0866

**Web:** <http://www.sumerain.com>

**E-mail:** [supports@sumerain.us](mailto:supports@sumerain.us)

### HONGKONG SUMERAIN SANITARY INDUSTRY CO., LIMITED

**Address:** FLAT/RM 3B 3/F BANK TOWER  
NOS.351&353 KING'S ROAD  
NORTH POINT  
HK

**Tel:** +86-750-2731579

**E-mail:** [supports@sumerain.com](mailto:supports@sumerain.com)

### SUMERAIN EUROPE SUPPORT

**Address:** Flottwellstr. 15  
10785 Berlin,  
Deutschland

**Tel:** +49 (0)30/23975898

**E-mail:** [de@sumerain.com](mailto:de@sumerain.com)