

Cautions and Warnings

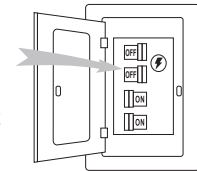
"IMPORTANT, RETAIN FOR FUTURE REFERENCE: READ CAREFULLY"

- To reduce the risk of personal injury, attach the fan directly to the support structure of the building according to these instructions, and use only the hardware supplied.
- To avoid possible electrical shock, before installing your fan, disconnect the power by turning off the circuit breakers to the outlet box and associated wall switch location. If you cannot lock the circuit breakers in the off position, securely fasten a prominent warning device, such as a tag, to the service panel.
- All wiring must be in accordance with national and local electrical codes and ANSI/NFPA 70. If you are unfamiliar with wiring, use a qualified electrician.
- To reduce the risk of personal injury, do not bend the blade attachment system when installing, balancing, or cleaning the fan. Never insert objects between rotating fan blades.
- To reduce the risk of fire, electrical shock, or motor damage, do not use a solid-state speed control with this fan.

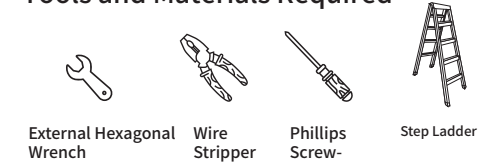
NOTE: The important safety precautions and instructions appearing in the manual are not meant to cover all possible conditions and situations that may occur. It must be understood that common sense and caution are necessary factors in the installation and operation of this fan.

BEFORE YOU START

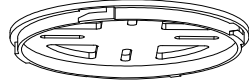
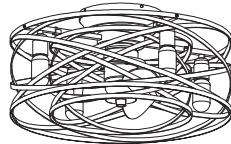
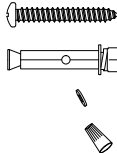
Contact a licensed electrician if you are not good at performing electrical work. It's the licensed electrician who installs the fan, if required by the local code. Do not use the fan with a dimmer switch. Turn off power at breaker.

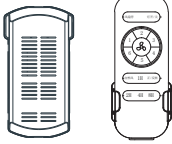



Tools and Materials Required



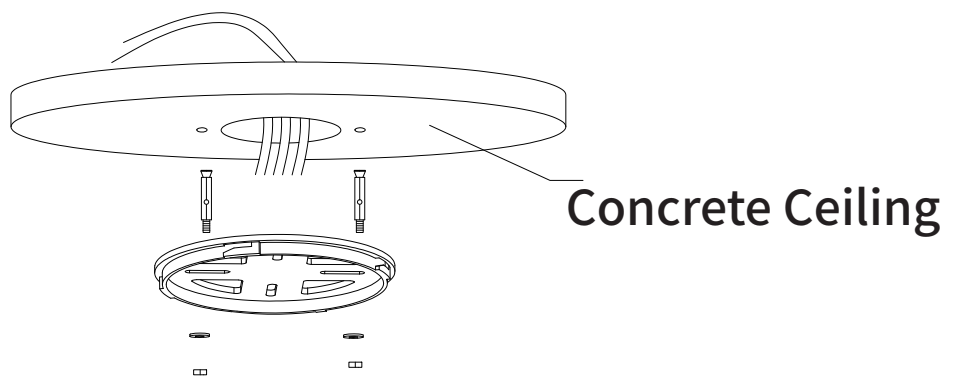
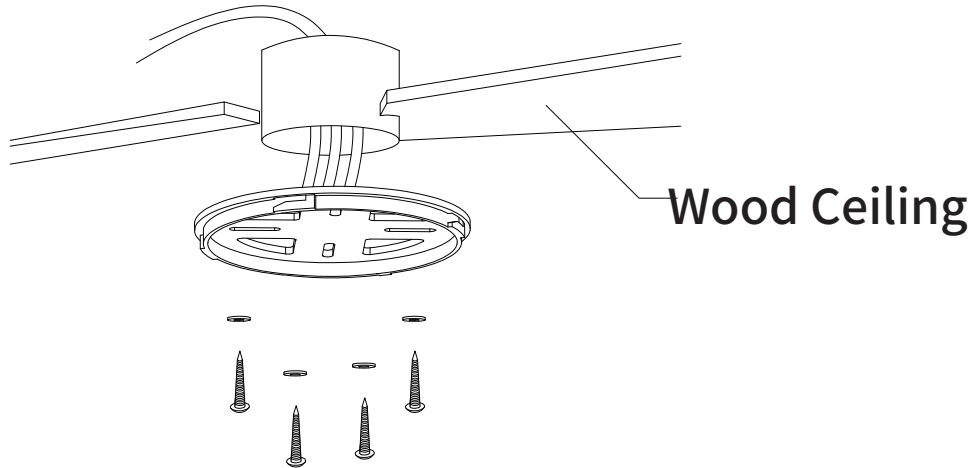
Parts Included

Item no.	Reference Image	Qty.
1	 Hanger bracket	×1
2	 Motor	×1
3	 A Pack of Screws	×4 ×2 ×4 ×4

Item no.	Reference Image	Qty.
4	 remote control	×1
5	 Security Screws	×2

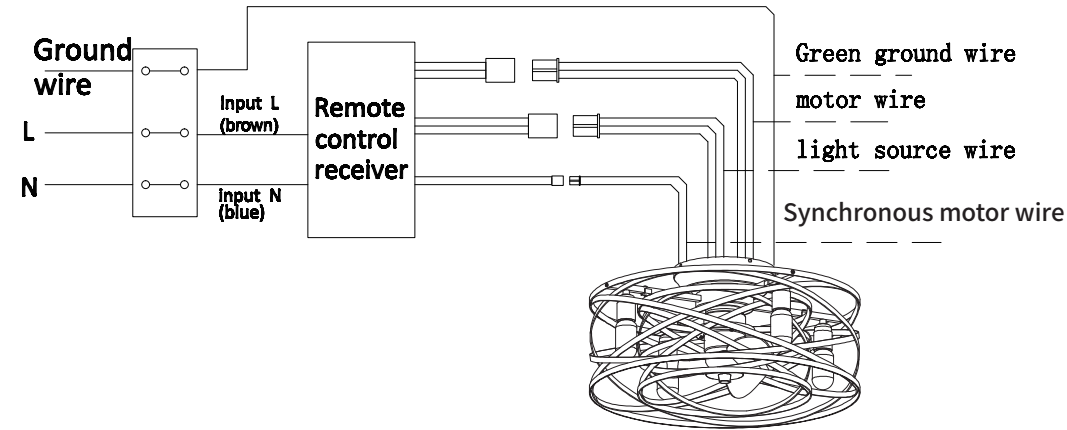
Carefully open the packaging. Remove items from Styrofoam inserts. Remove motor housing and place on carpet or Styrofoam to avoid damage to finish. Check against parts inventory that all parts have been included.

Installing the Hanger Bracket

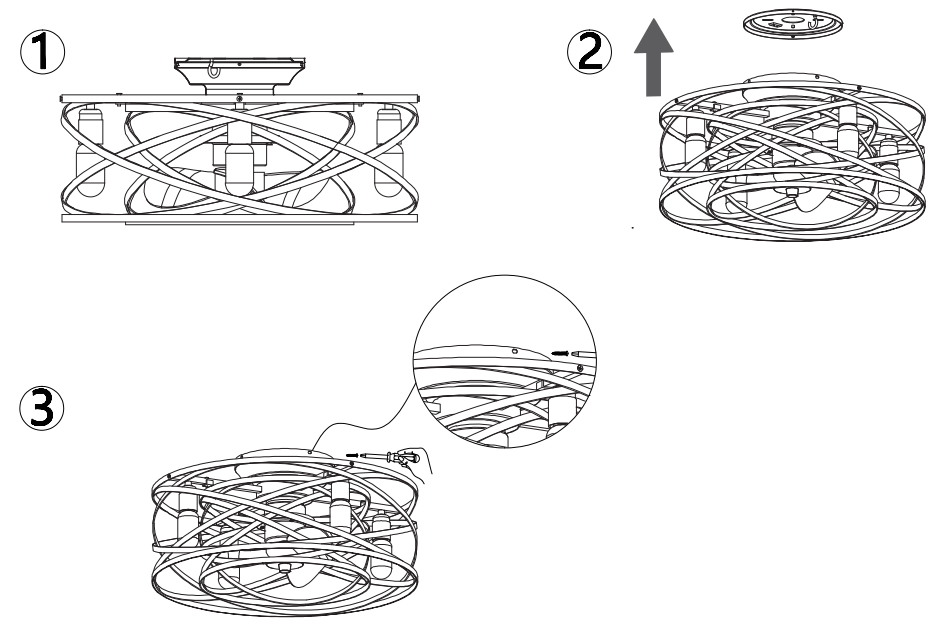


Please drill 8mm holes on the concrete ceiling, and insert the bolt. Align the bracket with the hole, then tighten with nuts.

Remote control connection



After connecting to the controller, install the main body of the fan light and lock the security screw



OPERATING YOUR FAN

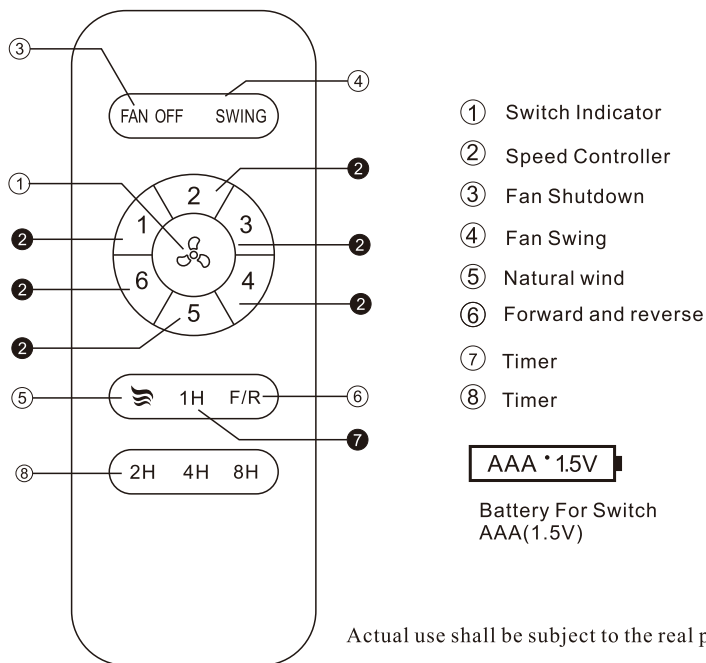
Turn on the power and check the fan's operation. The appropriate speed settings of warm or cool weather depend on many factors such as the room size, ceiling height, and fans' number.

REMOTE CONTROL SETTING AND OPERATION

1. Restore electricity to the outlet box by turning the electricity on at the main fuse box.
2. Remove the battery cover from the remote control transmitter, then put the battery in and fit the cover on.

Note:

- 1). Use 2 PCS AAA battery to install.
- 2). If not used for long periods of time, remove the battery to prevent damage to the remote transmitter, and store it away from excess heat or humidity.



Actual use shall be subject to the real product

IMPORTANT REMINDERS

1. Note: Receiver must be correctly installed on the fan's mounting bracket.
2. When the transmitter cannot control the receiver, please check the battery level.
3. When the transmitter cannot control the receiver, please check if similar remote controls your fan nearby and interferes with each other.
4. Battery's low power will affect the transmitter's sensitivity and the signal reception accordingly. You must replace the battery if its power is low.
5. Please take the battery out of the transmitter to avoid battery leaks when not used for a long time.
6. Isolation switch must be connected in the line.
7. When a blackout or otherwise circumstances happen, the light will work normally after the power restores

Before carrying out any cleaning or maintenance work, always make sure that the appliance is disconnected.

This is normal to hear occasional small noises, when it is quiet (especially at night). Because slight power fluctuations and frequency signals superimposed in the electricity for off-peak hot water control may change fan motor noise. Please allow a 24-hour "breaking-in" period, most noises of a new fan disappear over the time.

MAINTENANCE AND CLEANING

1. Periodical cleaning your ceiling fan is the only required maintenance. Use a soft brush/lint free cloth to avoid scratching the paint. Or use a dust catcher to collect the dust. Please turn off the electricity power before you clean your fan.
2. Do not use water to clean your ceiling fan. It may damage the motor or the blades or even evoke an electrical shock.
3. The motor has permanently lubricated ball bearing. No need to oil.

NOTE: MAKE SURE THE POWER IS OFF AT THE ELECTRICAL PANEL BOX BEFORE YOU CLEAN OR REPAIR FANS.

TROUBLESHOOTING

Your fan may occasionally jerk forward or backward upon starting up.

This is normal and does not affect the fan operation.

Try these troubleshooting steps before contacting customer service.

SYMPTOM	POSSIBLE SOLUTIONS
<p>The fan doesn't spin</p>	<ol style="list-style-type: none"> 1. Make sure the fan is getting power. 2. Check the functionality of circuit breaker or fuse panel and wall switch. 3. Confirm fan wires are correctly connected to the house wires. 4. Make sure the blocker of the fan motor is removed. 5. Use your remote to check the power to the breaker and try to work your ceiling fan manually from afar (Normal switch only for the fan power on/off)
<p>The fan's light does not work</p>	<p>Make sure the LED light kit and light bulb are connected well.</p>
<p>The fan is noisy</p>	<ol style="list-style-type: none"> 1. Confirm the coupling cover is NOT hitting the motor. 2. Tighten any loose screws of the light kit, fan blades, motor coupling, down rod, brackets and mounting hardware. 3. The ceiling beam must meet the minimum tensile test strength of 30KG for installation. 4. Confirm the wire connections are not rattling against each other. 5. Confirm the fan blades are not cracked. If the fan blades are cracked, replace the damaged blades with a new set of blades from the same brand to ensure your ceiling fan is compatible.
<p>The fan or light automatically turns on/off</p>	<ol style="list-style-type: none"> 1. Confirm the circuit breaker works normally. 2. Confirm the wire connections are not frayed. 3. Power off the fan and power on it again in 10 minutes.