

ASSEMBLY INSTRUCTION

Modular Sectional Sofa

Notes Before Assembly

1. This sofa is a modular design, consisting of Middle Seats, Ottomans, and Armrests. You can freely combine these parts to create different sizes and shapes of sofas, such as single, 2-seater, 3-seater, 4-seater, L-shaped, U-shaped, and more, depending on your needs.
2. The sofa is shipped in multiple boxes. We recommend that you unpack and begin assembly only after receiving all boxes. If any parts are damaged or missing, there's no need to return the product. We'll be happy to assist you and send replacement parts free of charge.
3. To ensure safe and satisfactory assembly, please read the following instructions carefully. Arrange for 2-4 adults to assemble the sofa based on the product size. It's important to assemble it on a clean, scratch-free surface. **Please keep all Boxes until assembly is completed.**
4. Some key components of your product may be stored inside other parts. Please open any zippered or hook-and-loop compartments to retrieve all parts. (For example, **some side panels are hidden inside the backrest (part B).**)
5. Important Note: **Some screws are pre-installed, please loosen the screws firstly, install the related parts and then lock the screws.** When setting up the product, do not tighten all screws initially. Place each screw into its corresponding hole and hand-tighten it halfway. Once everything seems aligned, tighten the screws fully.
6. Our cushions are vacuum-packed for easy shipping. Please allow 2-3 days for them to fully expand to their original shape and remove any wrinkles.



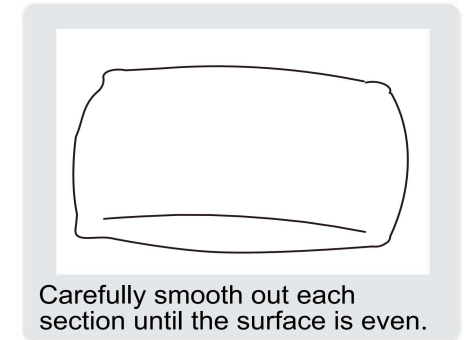
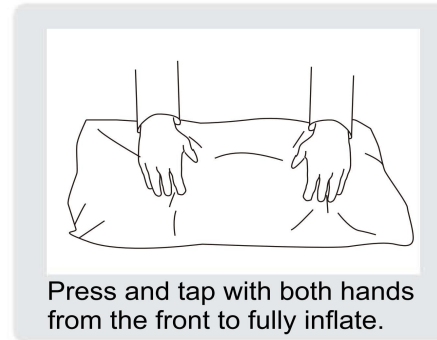
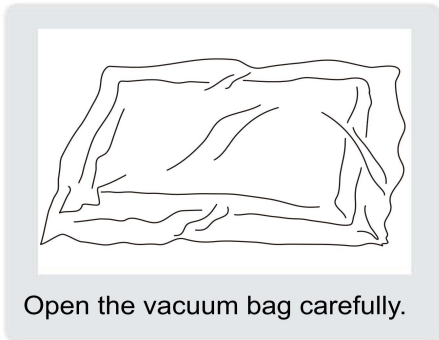
Safety and Care Advice

Important – Please read these instructions fully before starting assembly

Thanks for your purchase. Before the assembly, please follow the instruction to check if all the spare parts and screws are intact.

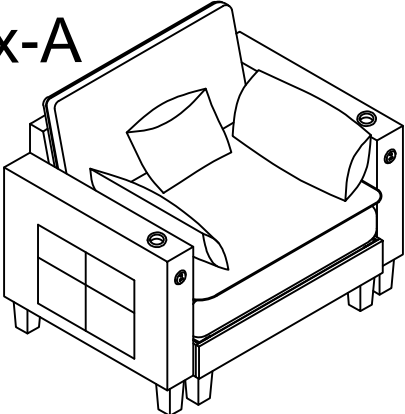
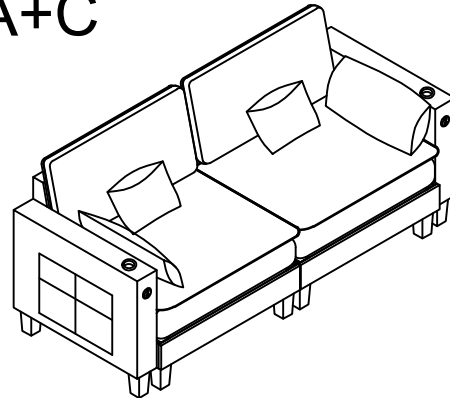
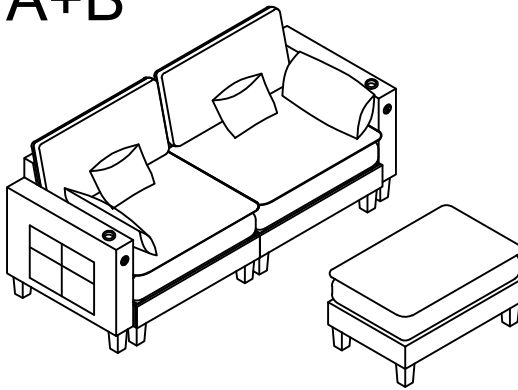
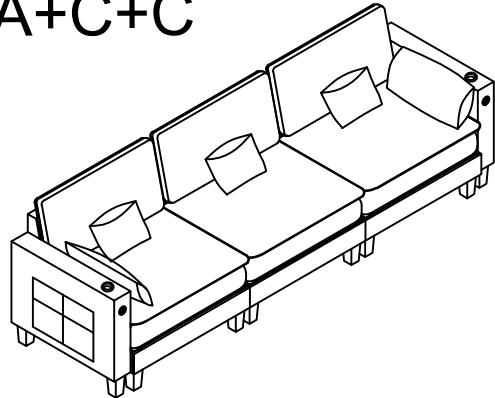
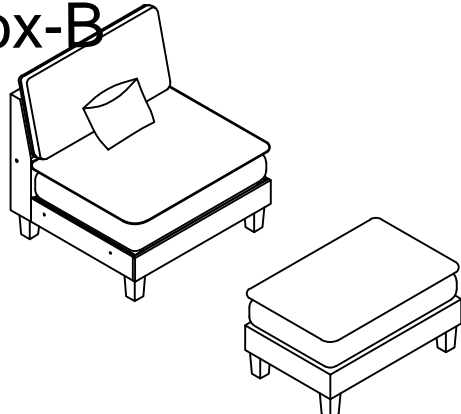
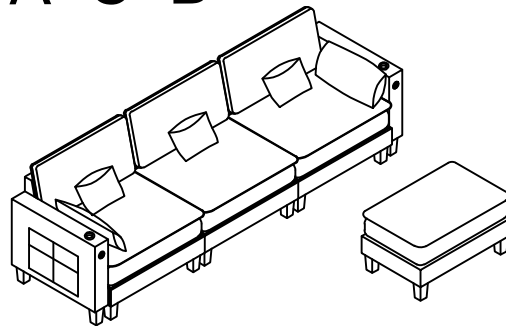
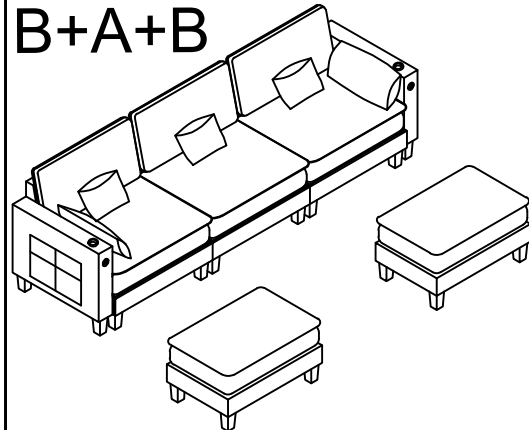
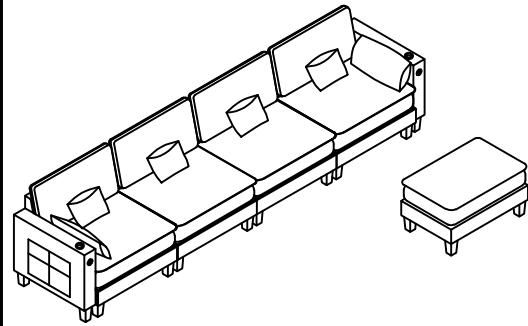
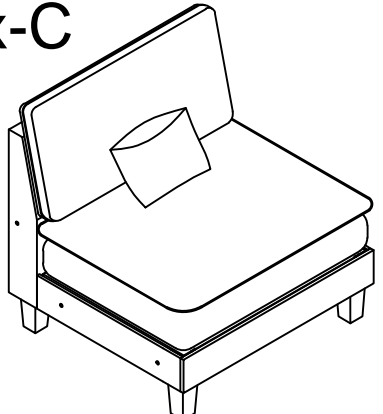
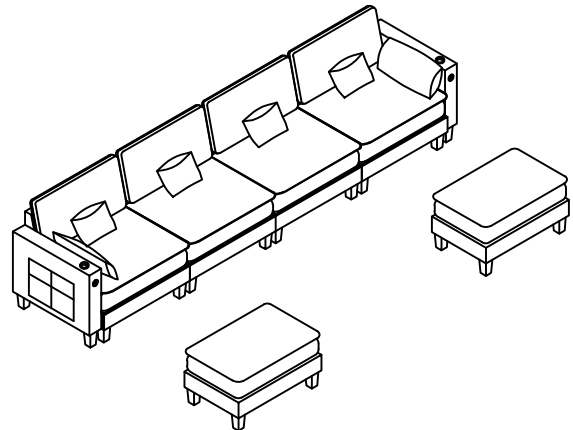
- Considering the size and weight of the sofa, we recommend two adults to assemble the sofa, on a carpeted or padded area, in the room that it is intended for. Approximate assembly time: 30 minutes.
- Keep all components and packaging out of reach of children or animals to avoid risk of choking or suffocation.
- Please do not throw away any of the packaging or the instruction until you have checked all the components and hardware and the furniture is fully assembled. Please ensure that the packaging is disposed of in a safe and environmentally friendly way.
- Please do not take off the cover, and do not wash.

Your cushions come vacuum packed and sealed for shipping. To restore the cushion's original shape, follow the steps below.



After packing up, place them in somewhere dry and ventilated. After about 72-96 hours, it can be restored to the best use condition.

Multiple Combinations Available Based on Your Purchase

<p>Box-A</p> 	<p>A+C</p> 	<p>A+B</p> 	<p>A+C+C</p> 
<p>Box-B</p> 	<p>A+C+B</p> 	<p>B+A+B</p> 	<p>A+C+C+B</p> 
<p>Box-C</p> 	<p>B+A+C+B</p> 		





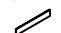


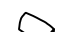




Packing List

Seller's Notice:

- The following is the list of components contained in each basic box.
- Depending on the configuration you purchase, you may receive multiple different base boxes.
- Please wait until you receive all the boxes and then start the assembly.

Box-A

Main Structure Accessories

A		Front Slat X 1
B		back frame X 1
C		left side panel X 1
D		right side panel X 1
E		The front side panel X 1
F		Back Cushion X 1
F1		Sitting Pad X 1
F5		Armrest Pillow X 2
F5-1		Pillow X 1
R		Right Armrest X 1
L		Left Armrest X 1
Z1		Support Wood X 2

Structural Accessories





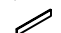

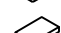




M		Sofa Legs X 8
W		Bracket X 2
W2		Bracket X 1
X2		Bracket X 1
Z2		Support Wood X 2
		Gloves X 2

Blister Box






N		M8X30mm Bolt	X 8
N1		M8X50mm Bolt	X 6
P		M8 Allen Key	X 1

Box-B



Main Structure Accessories

A		Front Slat X 1
B		back frame X 1
C		left side panel X 1
D		right side panel X 1
E		The front side panel X 1
E1		Ottoman Sitting Pad X 1
E2		Ottoman Frame X 1
F		Back Cushion X 1
F1		Sitting Pad X 1
F5-1		Pillow X 1
Z1		Support Wood X 2

Structural Accessories





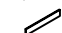

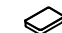


M		Sofa Legs X 8
W		Bracket X 2
W2		Bracket X 1
X2		Bracket X 1
Z2		Support Wood X 2

Blister Box






N		M8X30mm Bolt	X 8
T		M8X50mm Bolt	X 3

Box-C



Main Structure Accessories

A		Front Slat X 1
B		back frame X 1
C		left side panel X 1
D		right side panel X 1
E		The front side panel X 1
F		Back Cushion X 1
F1		Sitting Pad X 1
F5-1		Pillow X 1
Z1		Support Wood X 2

Structural Accessories

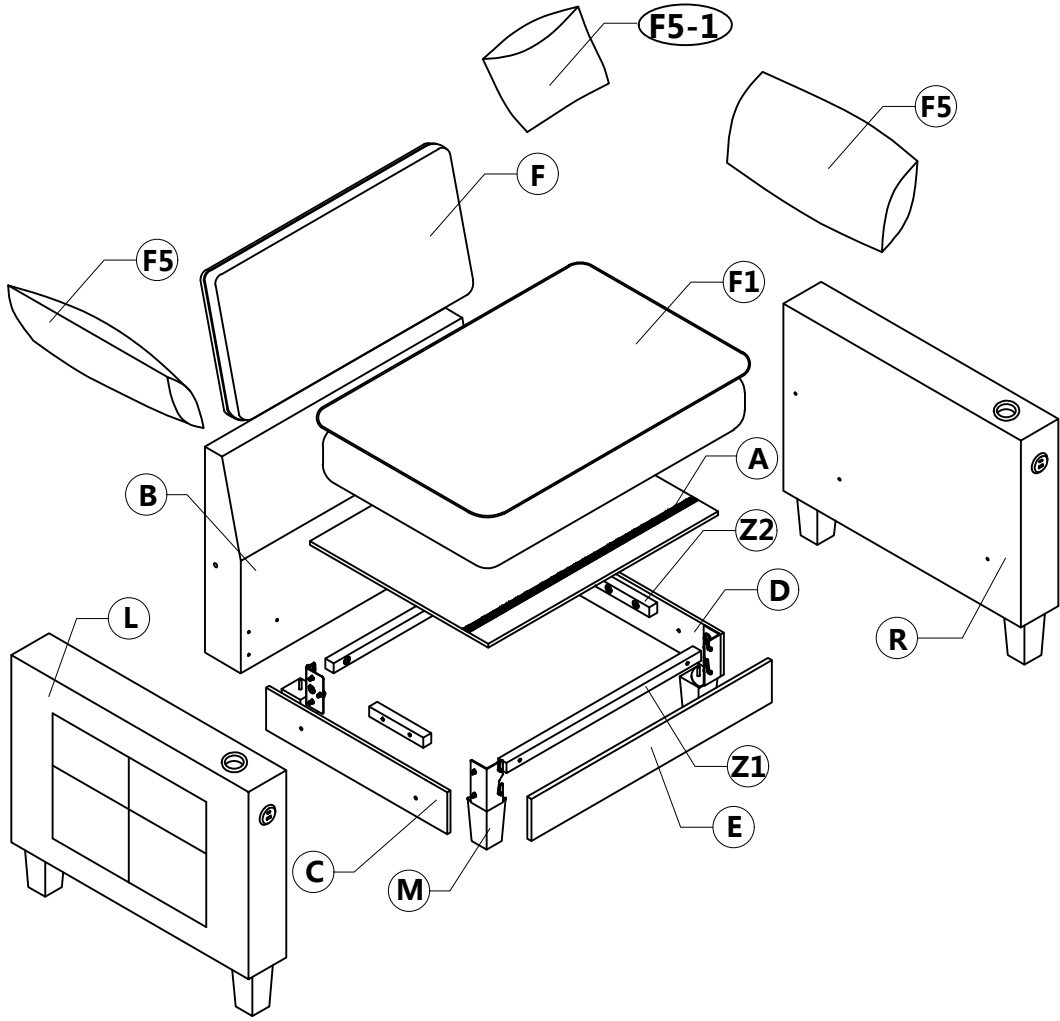
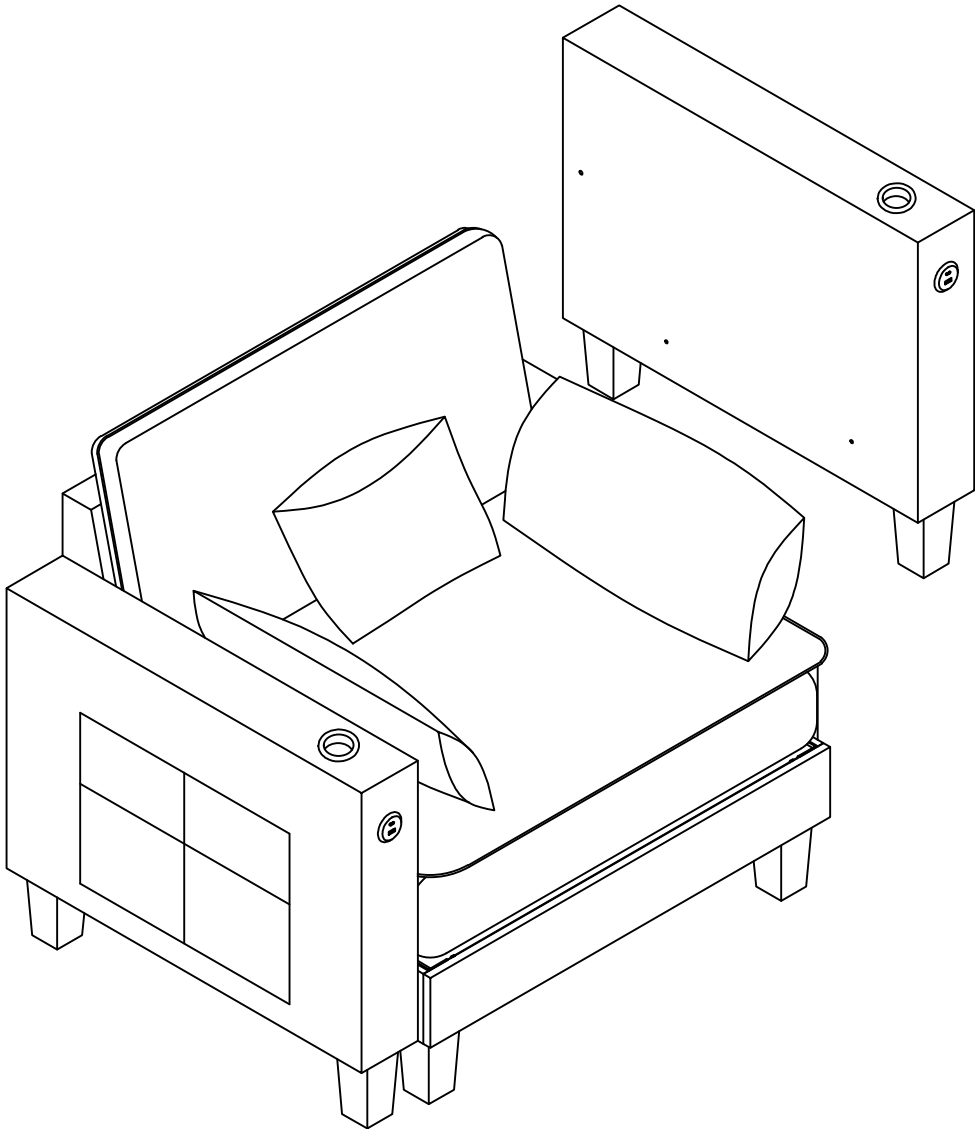
M		Sofa Legs X 4
W		Bracket X 2
W2		Bracket X 1
X2		Bracket X 1
Z2		Support Wood X 2

Blister Box

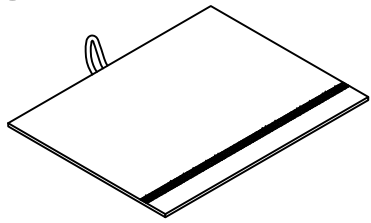
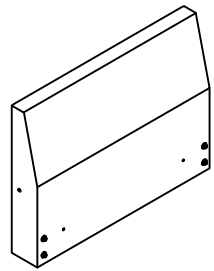
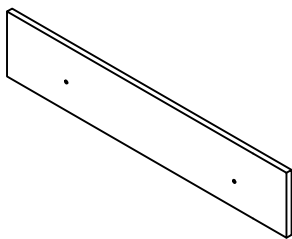
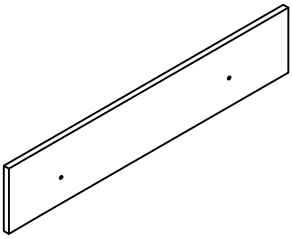
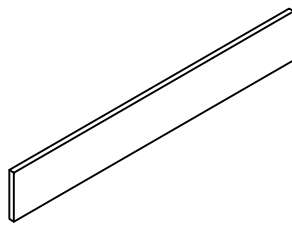
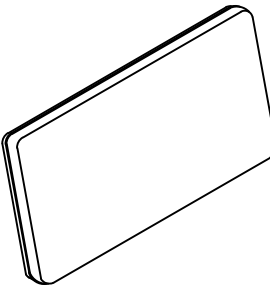
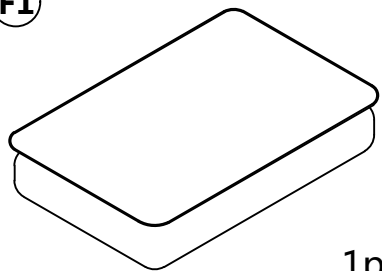
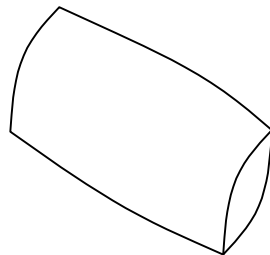
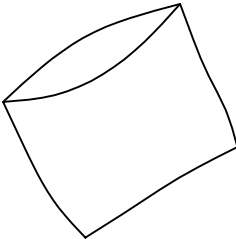
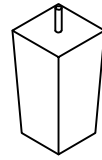
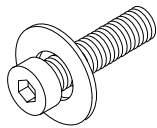
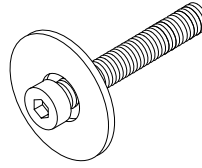
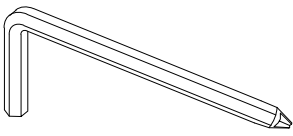
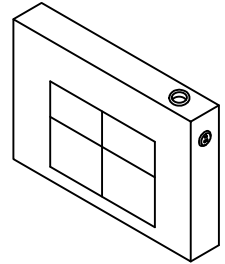
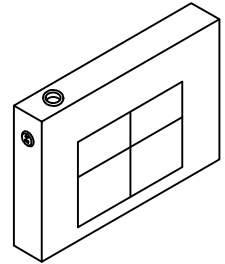
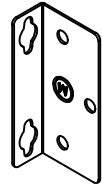
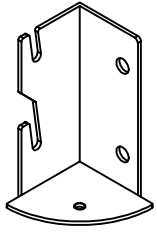
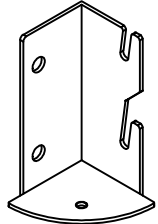
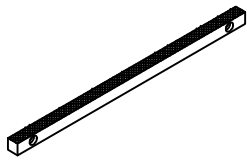
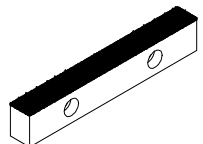

N		M8X30mm Bolt	X 8
T		M8X50mm Bolt	X 3

How to Install Box-A

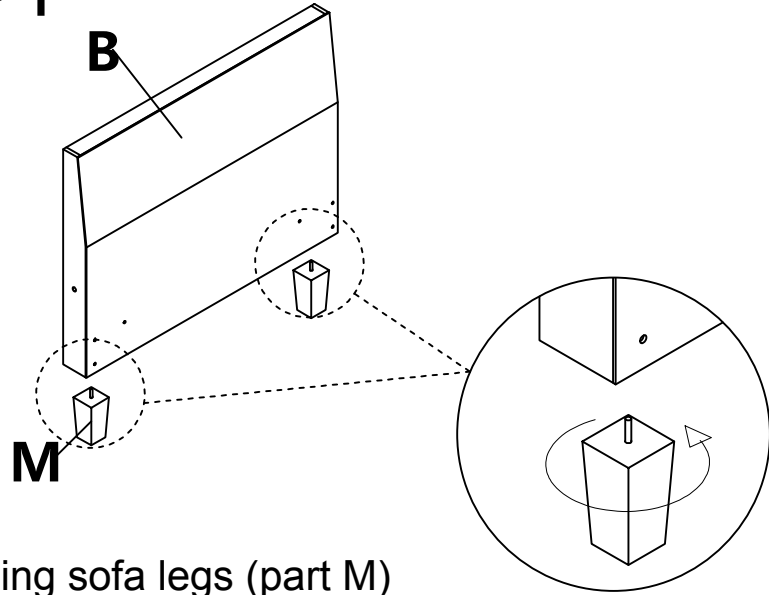
MIDDLE & ARMREST MODULE



Main Structure Accessories

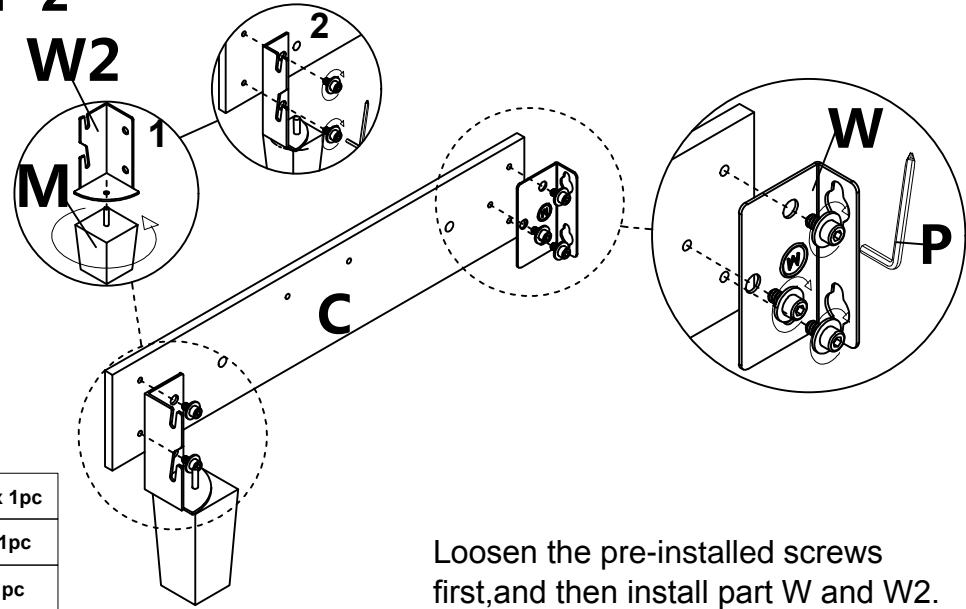
<p>(A)</p>  <p>1pc</p>	<p>(B)</p>  <p>1pc</p>	<p>(C)</p>  <p>1pc</p>	<p>(D)</p>  <p>1pc</p>	<p>(E)</p>  <p>1pc</p>	
<p>(F)</p>  <p>1pc</p>	<p>(F1)</p>  <p>1pc</p>	<p>(F5)</p>  <p>2pcs</p>	<p>(F5-1)</p>  <p>1pc</p>	<p>(M)</p>  <p>8pcs</p>	
<p>(N)</p>  <p>M8X30mm</p> <p>8pcs</p>	<p>(N1)</p>  <p>M8X50mm</p> <p>6pcs</p>	<p>(P)</p>  <p>1pc</p>	<p>(L)</p>  <p>1pc</p>	<p>(R)</p>  <p>1pc</p>	
<p>(W)</p>  <p>2pcs</p>	<p>(W2)</p>  <p>1pc</p>	<p>(X2)</p>  <p>1pc</p>	<p>(Z1)</p>  <p>2pcs</p>	<p>(Z2)</p>  <p>2pcs</p>	 <p>2pcs</p>

STEP 1



Installing sofa legs (part M)

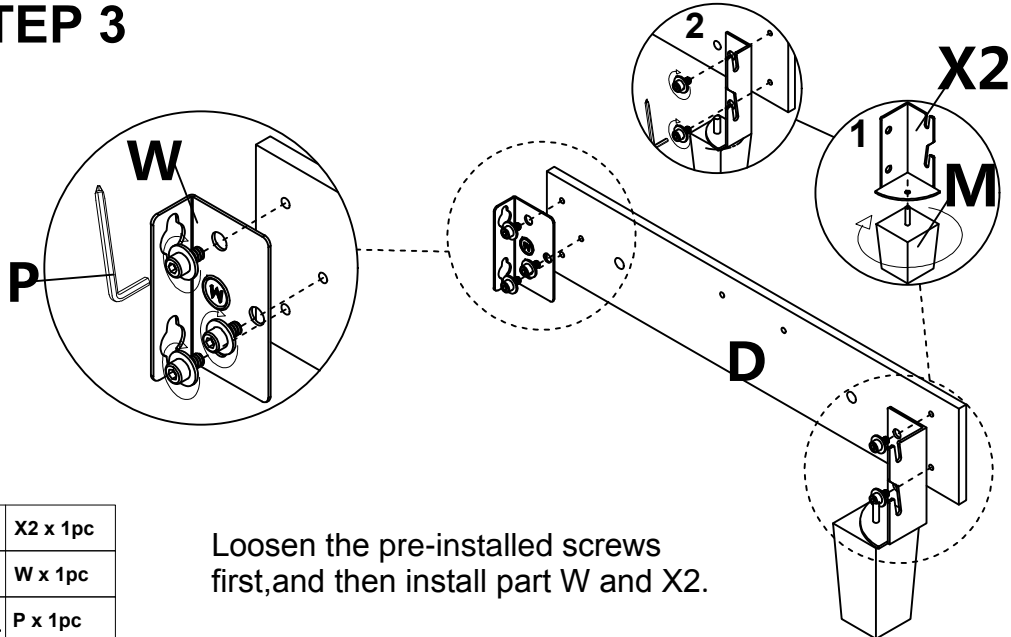
STEP 2



	W2 x 1pc
	W x 1pc
	P x 1pc

Loosen the pre-installed screws first, and then install part W and W2.

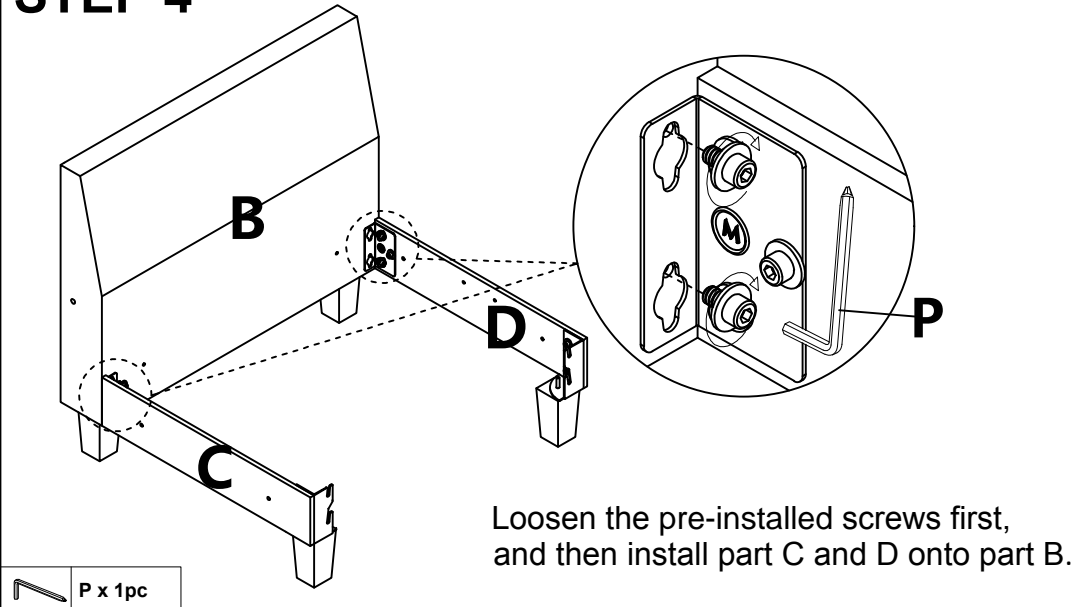
STEP 3



Loosen the pre-installed screws first, and then install part W and X2.

	X2 x 1pc
	W x 1pc
	P x 1pc

STEP 4

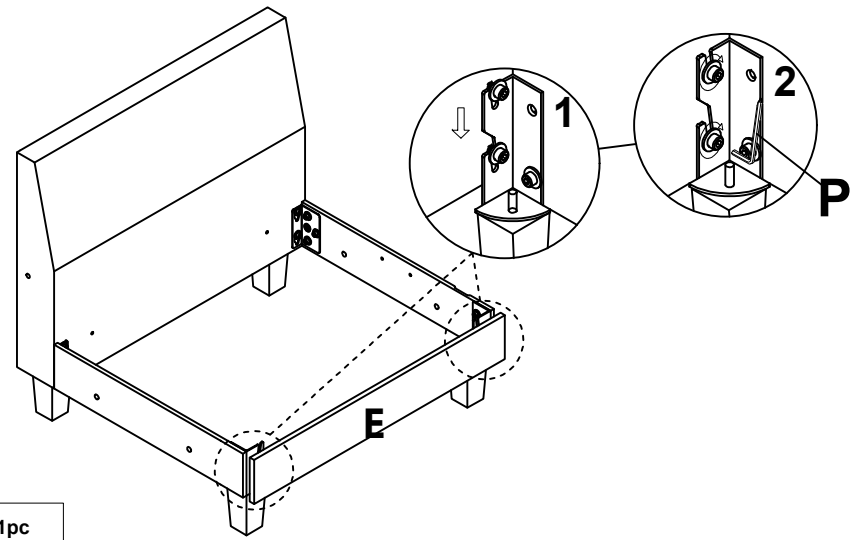


Loosen the pre-installed screws first, and then install part C and D onto part B.

	P x 1pc
--	---------

STEP 5

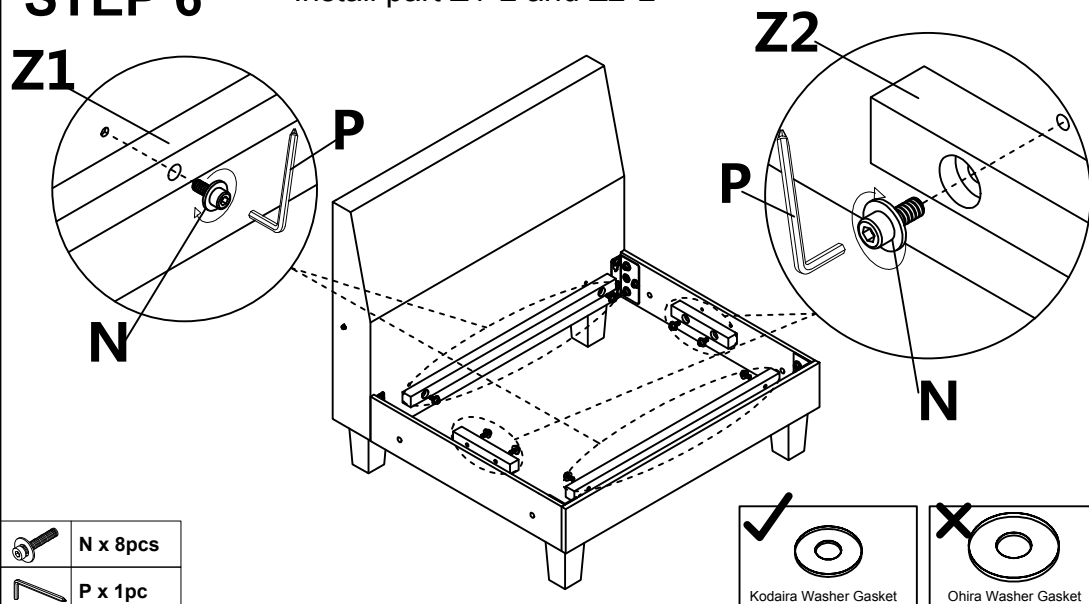
Loosen the pre-installed screws first, and then install part E



P x 1pc

STEP 6

Install part Z1*2 and Z2*2

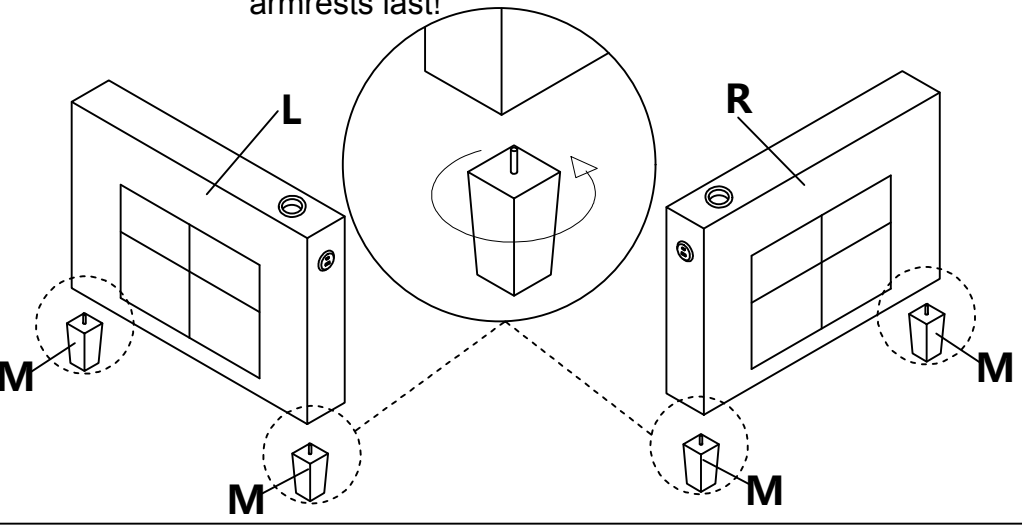


N x 8pcs
 P x 1pc

Kodaira Washer Gasket
 Ohira Washer Gasket

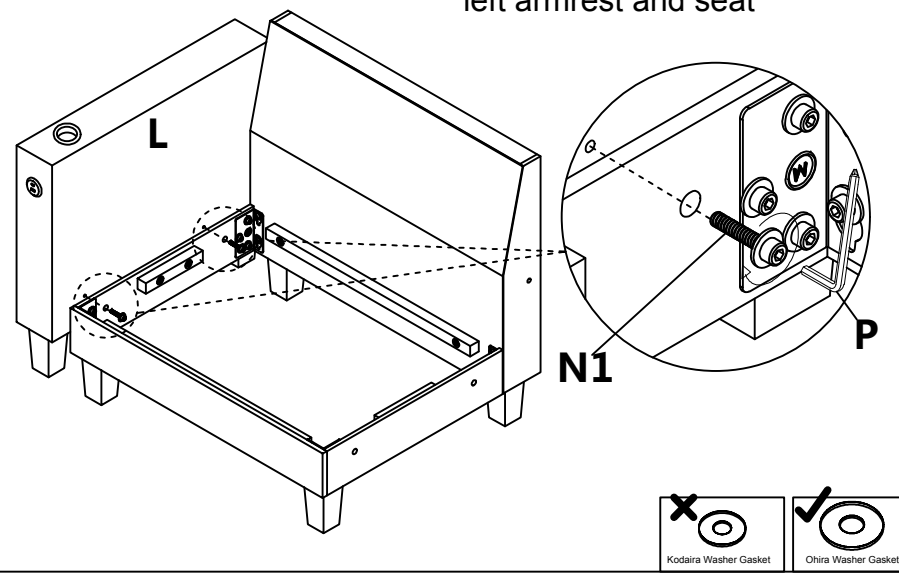
STEP 7

IMPORTANT NOTICE:
If you purchased a multi-seat sofa set, please install all the middle seats first, and then install the left and right armrests last!



STEP 8

Use screw N1 to connect the left armrest and seat

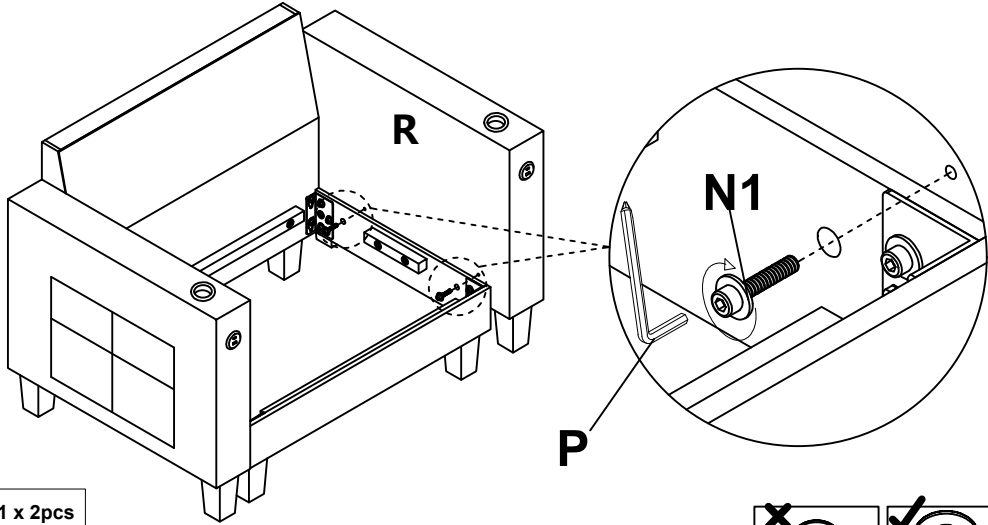




N1 x 2pcs
 P x 1pc

Kodaira Washer Gasket
 Ohira Washer Gasket

STEP 9

Use screw N1 to connect the right armrest to the seat

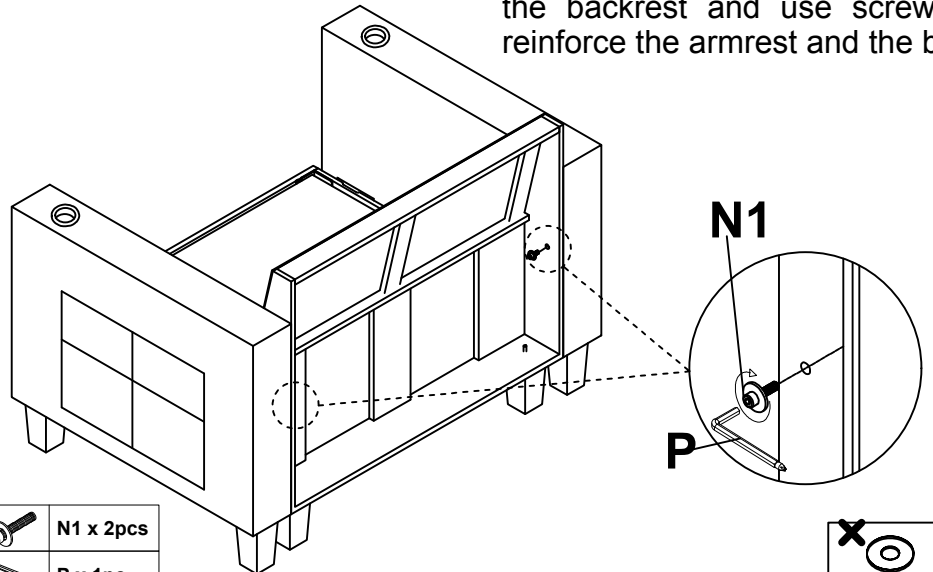




-  N1 x 2pcs
-  P x 1pc

-  Kodaira Washer Gasket
-  Ohira Washer Gasket

STEP 10

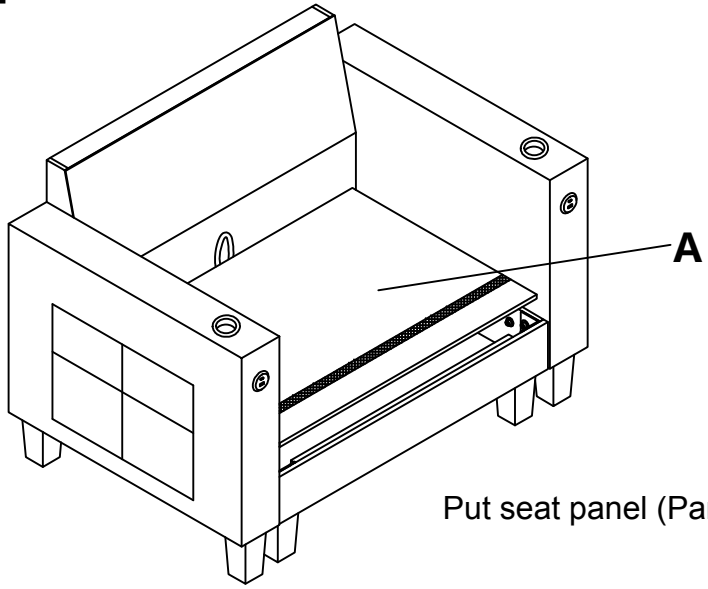
Open the zipper on the back side of the backrest and use screw N1 to reinforce the armrest and the backrest.



-  N1 x 2pcs
-  P x 1pc

-  Kodaira Washer Gasket
-  Ohira Washer Gasket

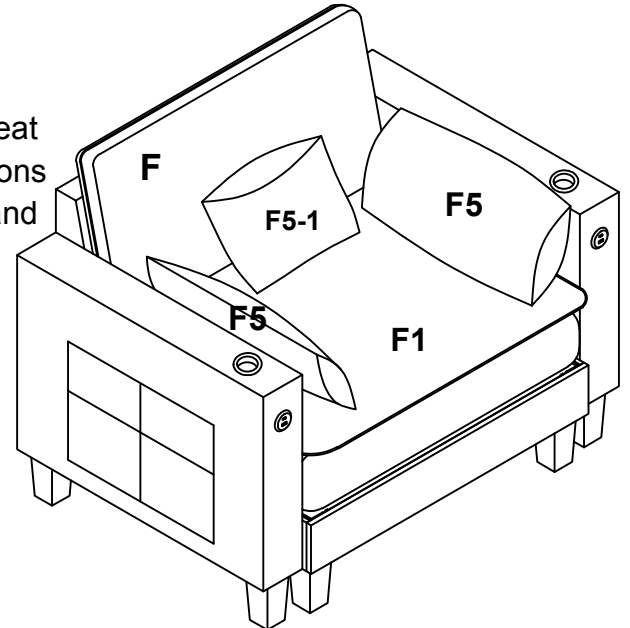
STEP 11



Put seat panel (Part A)

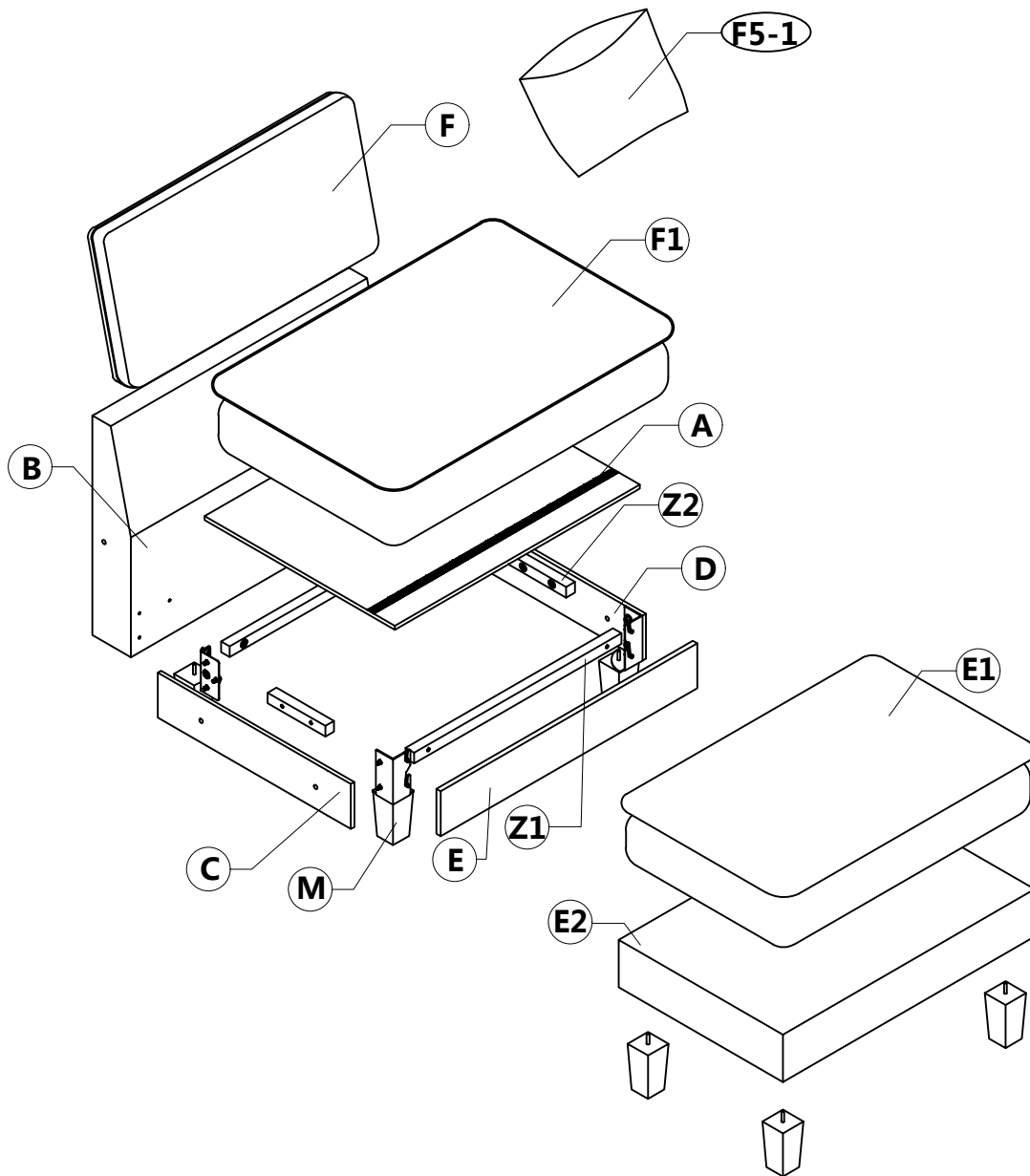
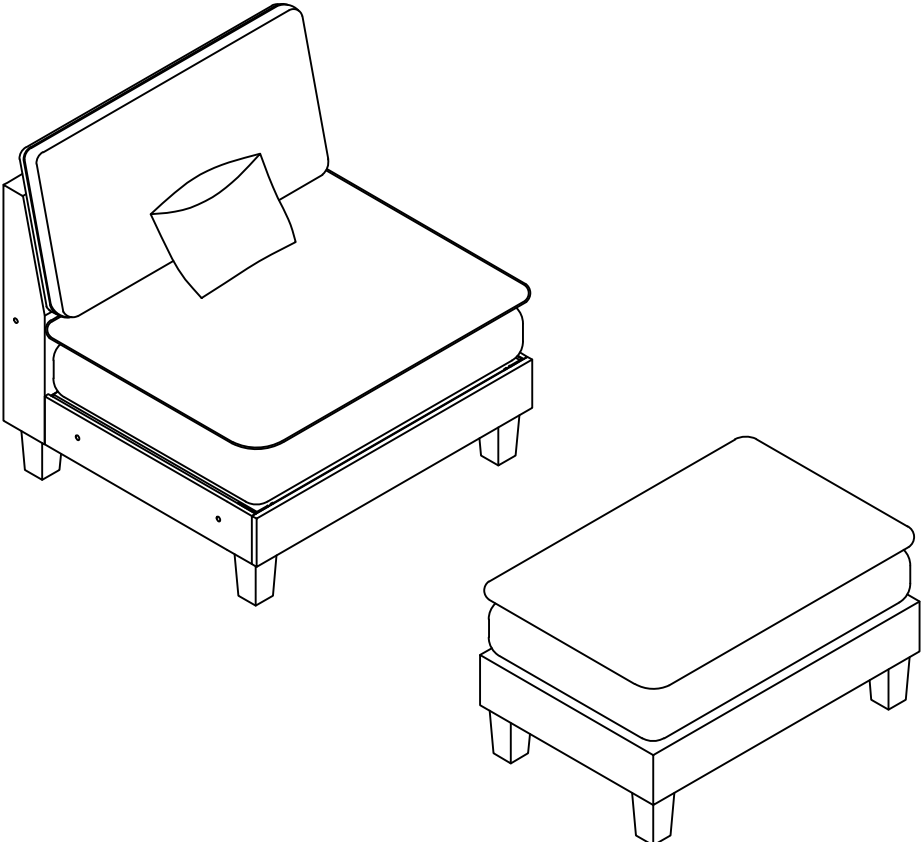
STEP 12

Put the corresponding seat cushions(F1), back cushions (F), armrest pillows(F5), and throw pillows(F5-1).

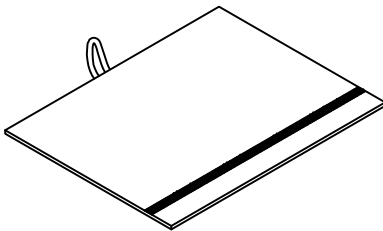
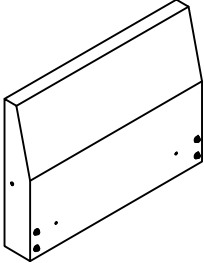
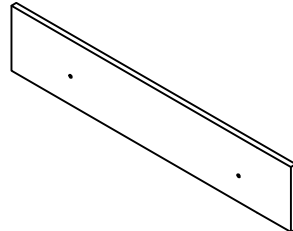
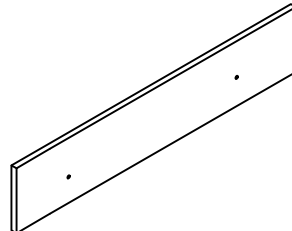
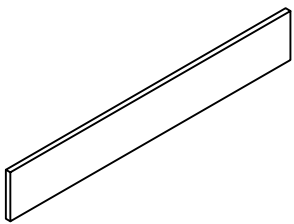
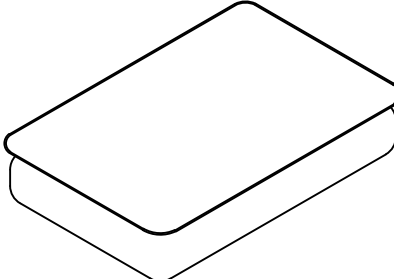
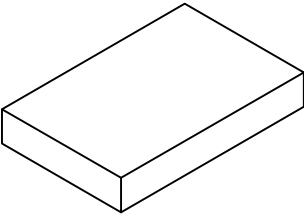
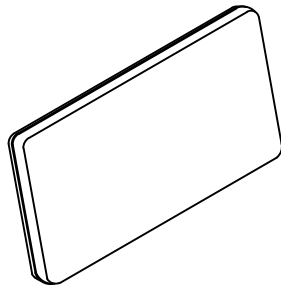
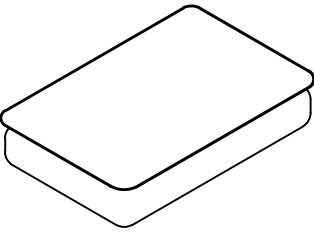
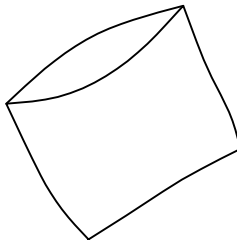

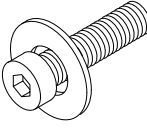
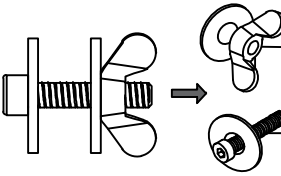
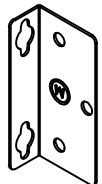
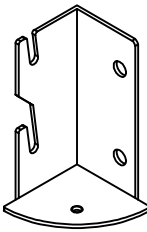
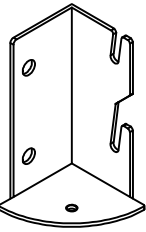
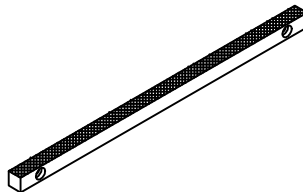
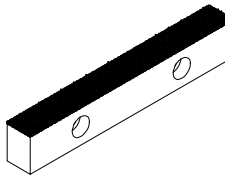


How to Install Box-B

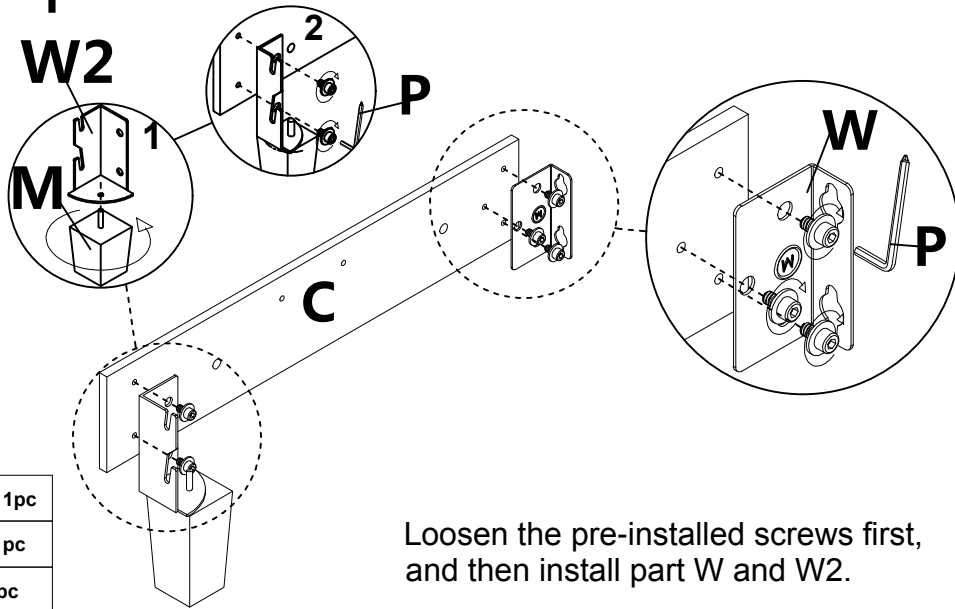
MIDDLE & OTTOMAN MODULE






Main Structure Accessories

<p>A</p>  <p>1pc</p>	<p>B</p>  <p>1pc</p>	<p>C</p>  <p>1pc</p>	<p>D</p>  <p>1pc</p>	
<p>E</p>  <p>1pc</p>	<p>E1</p>  <p>1pc</p>	<p>E2</p>  <p>1pc</p>	<p>F</p>  <p>1pc</p>	
<p>F1</p>  <p>1pc</p>	<p>F5-1</p>  <p>1pc</p>	<p>M</p>  <p>8pcs</p>	<p>N</p>  <p>M8X30mm</p> <p>8pcs</p>	<p>T</p>  <p>M8X50mm</p> <p>3pcs</p>
<p>W</p>  <p>2pcs</p>	<p>W2</p>  <p>1pc</p>	<p>X2</p>  <p>1pc</p>	<p>Z1</p>  <p>2pcs</p>	<p>Z2</p>  <p>2pcs</p>

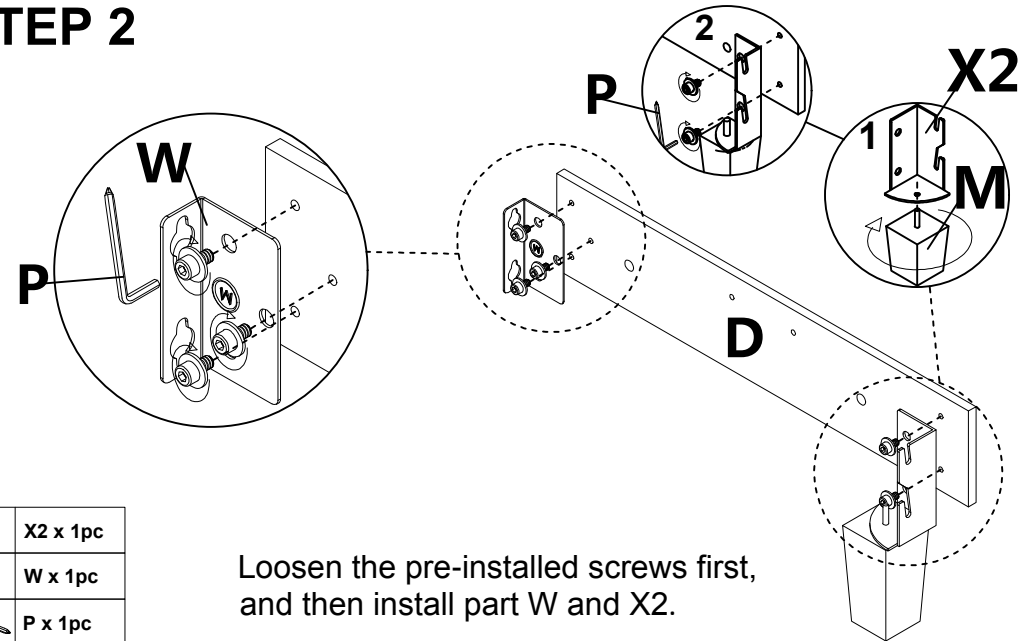
STEP 1






-  W2 x 1pc
-  W x 1pc
-  P x 1pc

Loosen the pre-installed screws first, and then install part W and W2.

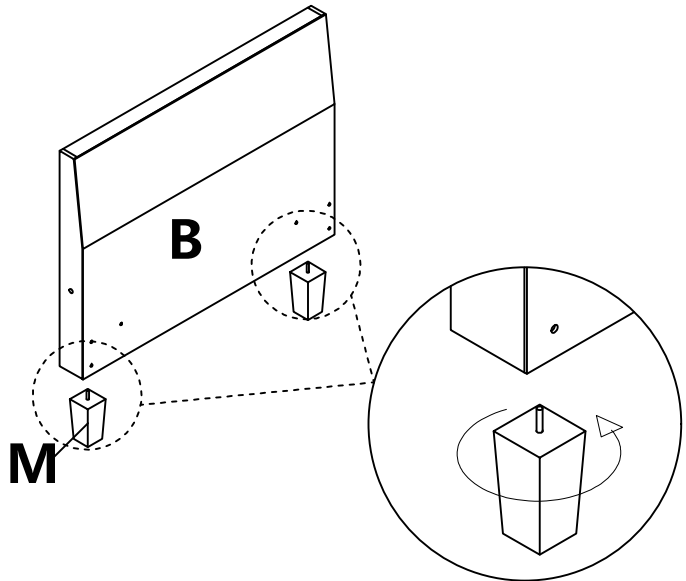
STEP 2



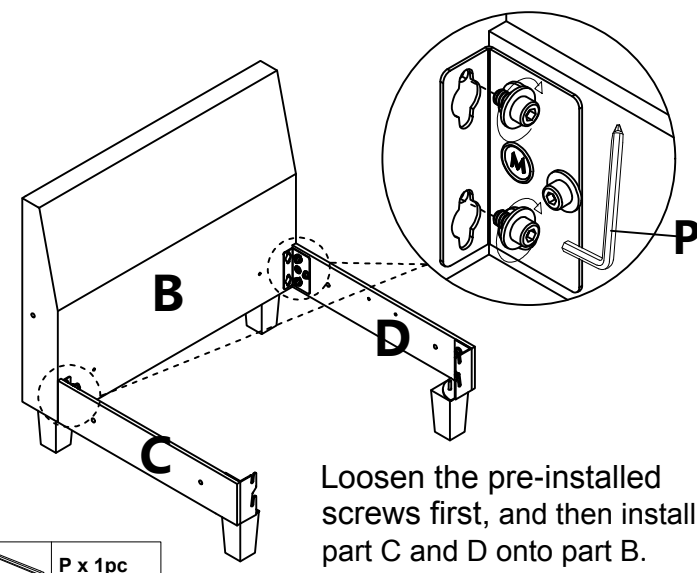
-  X2 x 1pc
-  W x 1pc
-  P x 1pc


Loosen the pre-installed screws first, and then install part W and X2.

STEP 3 Installing sofa legs (part M)



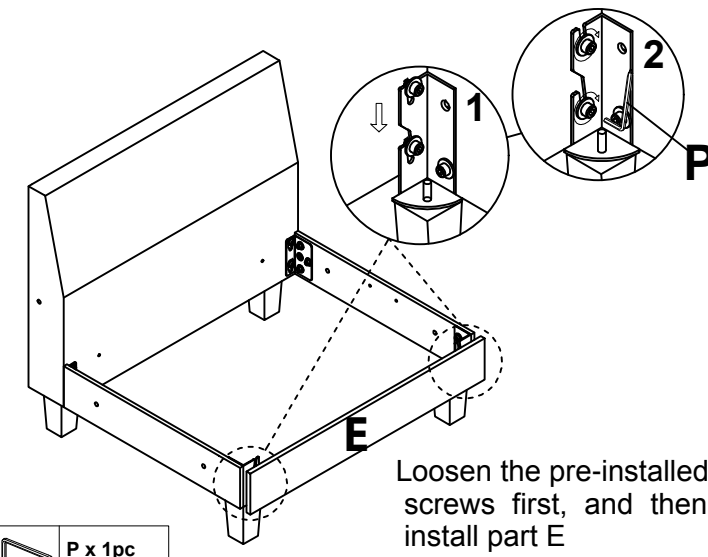
STEP 4



-  P x 1pc

Loosen the pre-installed screws first, and then install part C and D onto part B.

STEP 5

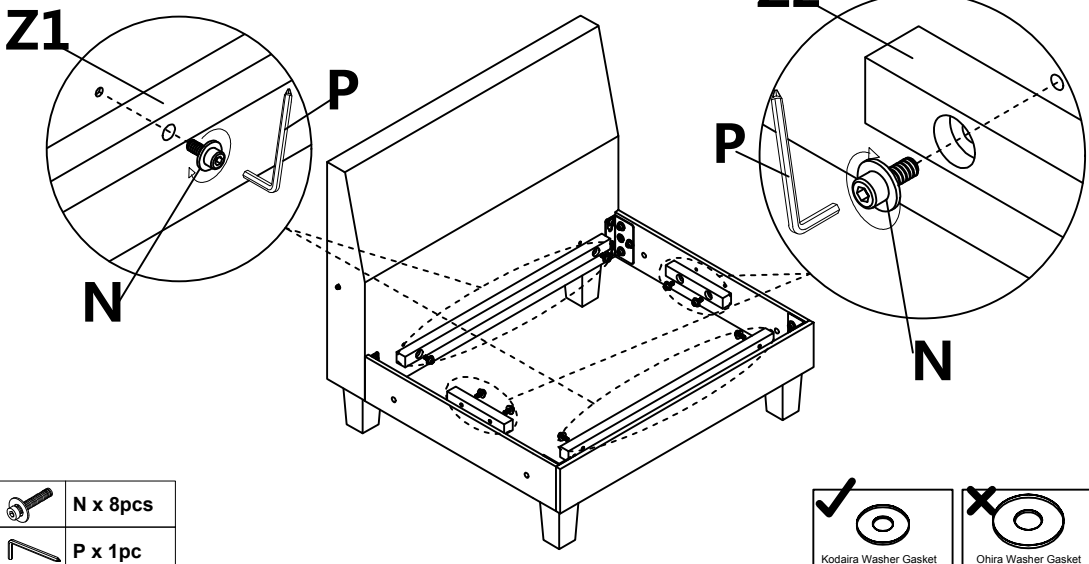


-  P x 1pc

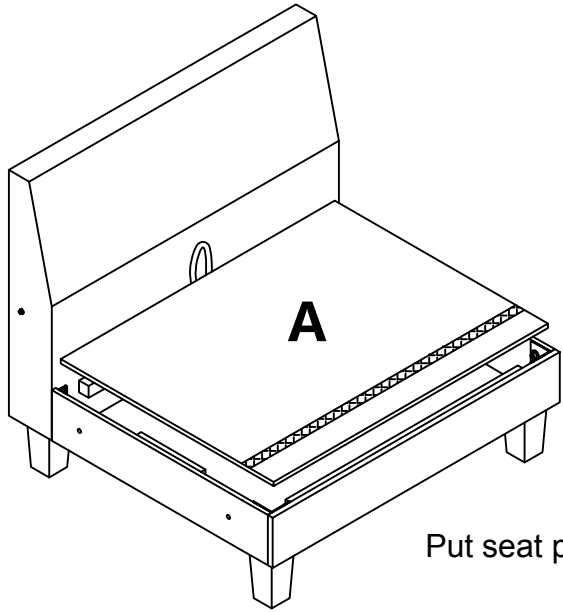
Loosen the pre-installed screws first, and then install part E

STEP 6

Install part Z1*2 and Z2*2

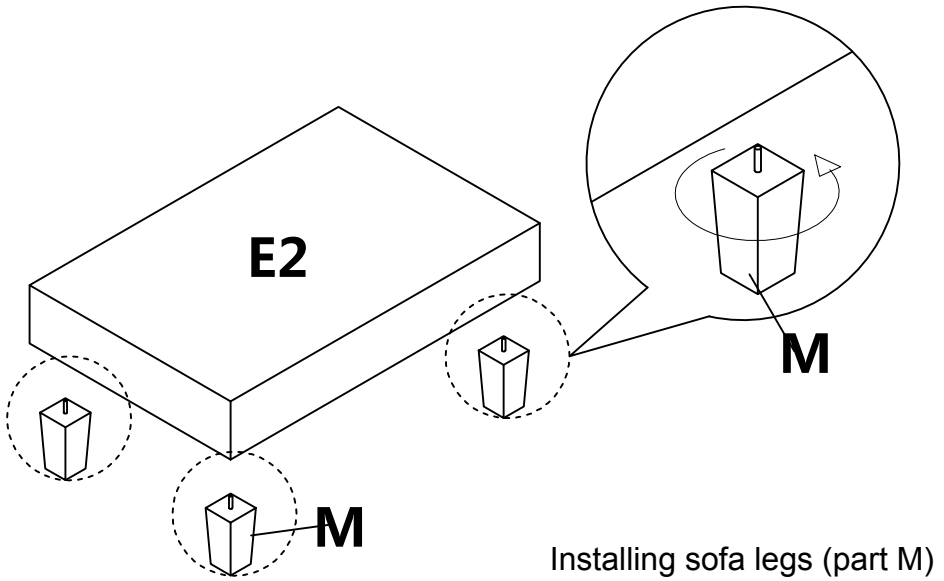


STEP 7



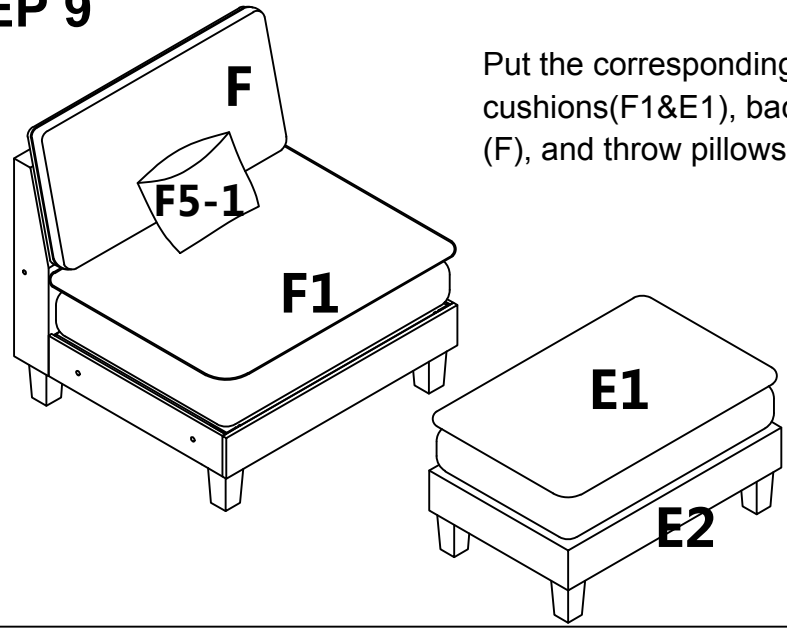
Put seat panel (Part A)

STEP 8



Installing sofa legs (part M)

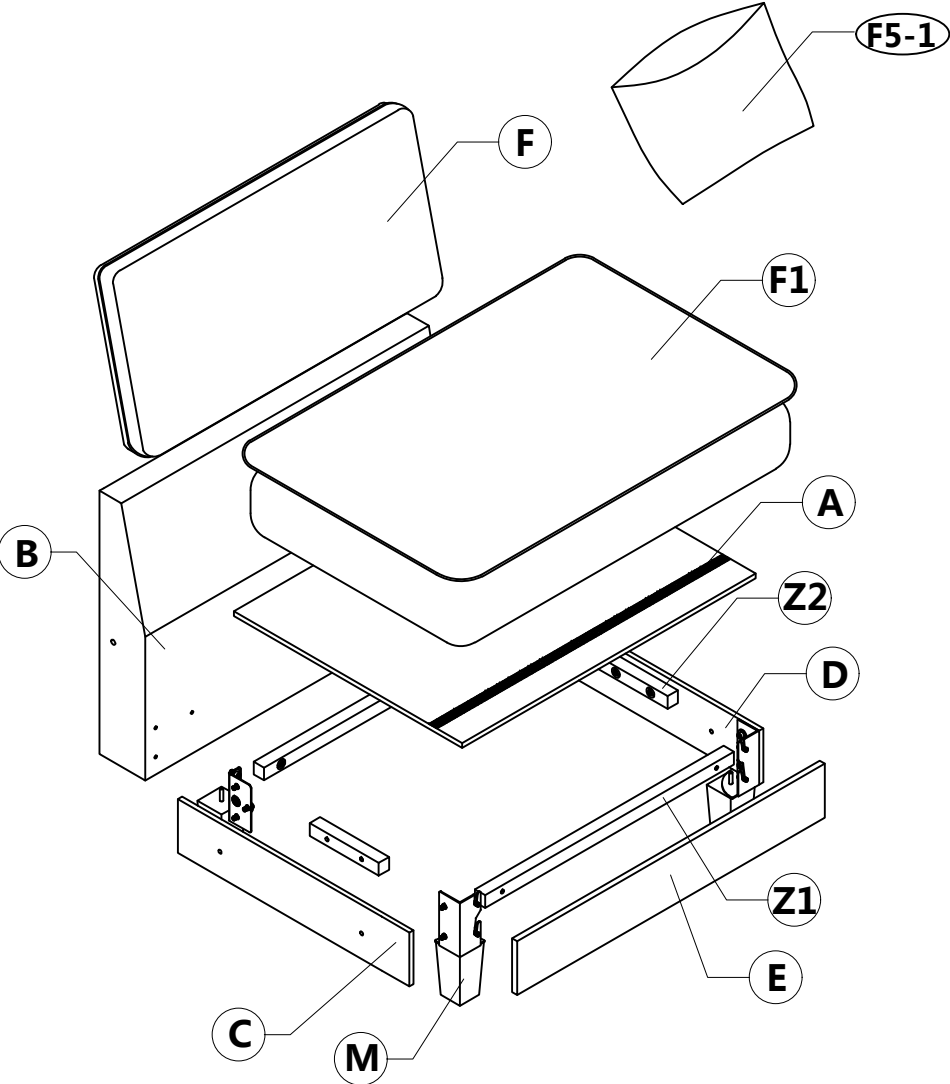
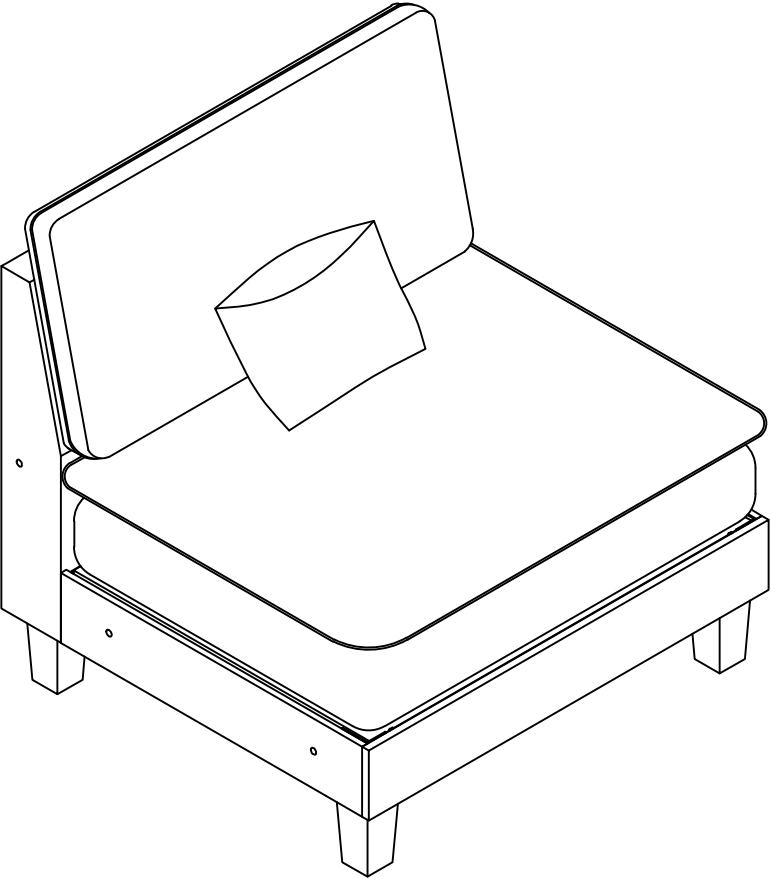
STEP 9



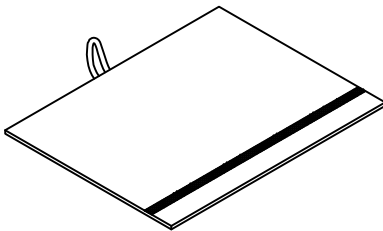
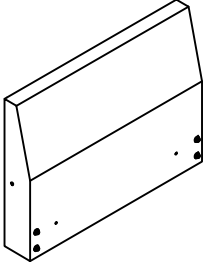
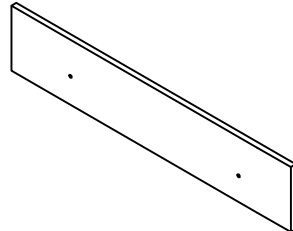
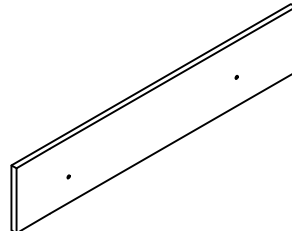
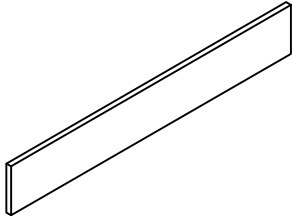
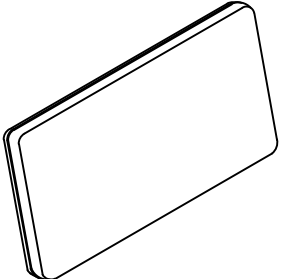
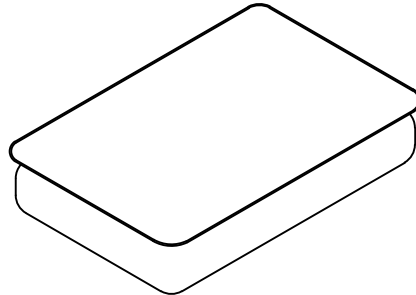
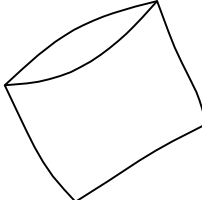

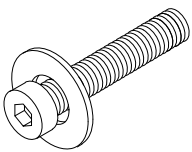
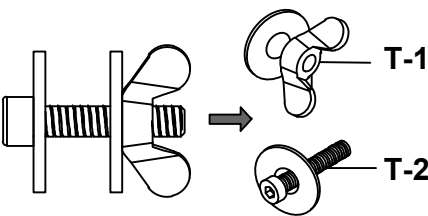

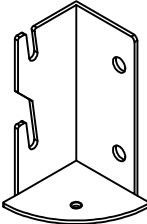
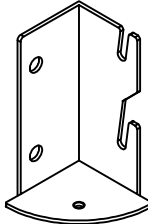
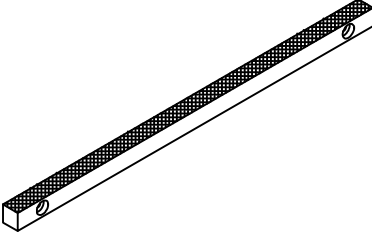
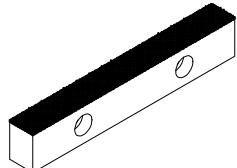
Put the corresponding seat cushions(F1&E1), back cushions (F), and throw pillows(F5-1).

How to Install Box-C

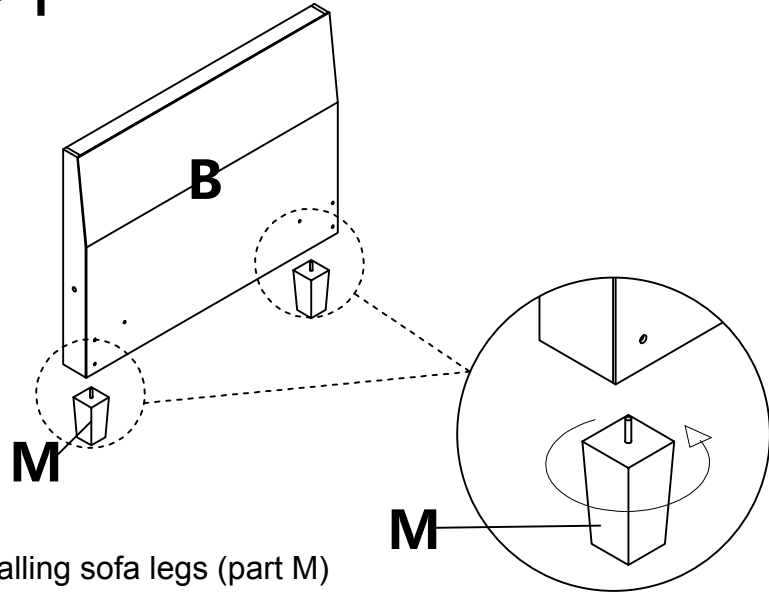
MIDDLE MODULE



Main Structure Accessories

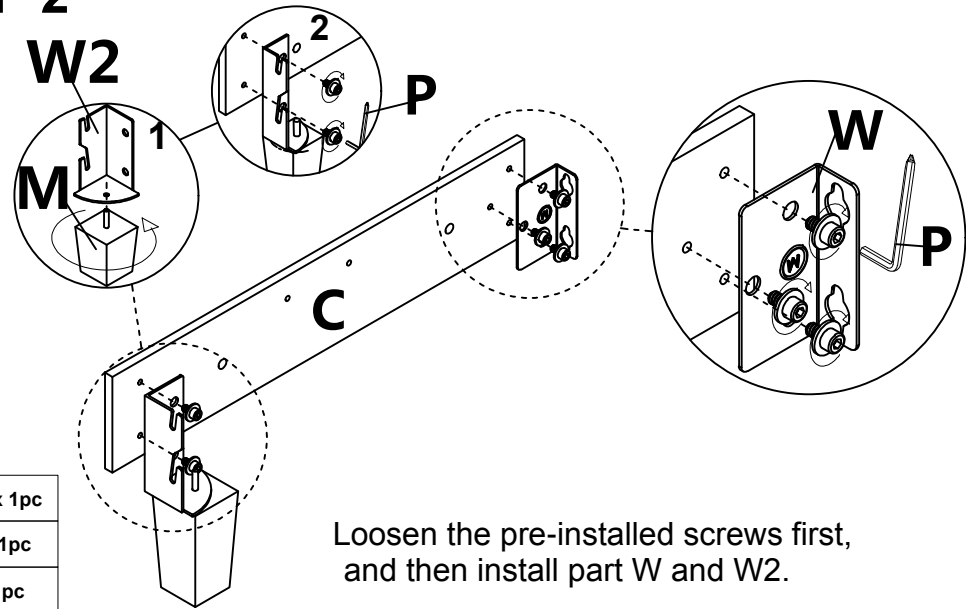
<p>A</p>  <p>1pc</p>	<p>B</p>  <p>1pc</p>	<p>C</p>  <p>1pc</p>	<p>D</p>  <p>1pc</p>
<p>E</p>  <p>1pc</p>	<p>F</p>  <p>1pc</p>	<p>F1</p>  <p>1pc</p>	<p>F5-1</p>  <p>1pc</p>
<p>M</p>  <p>4pcs</p>	<p>N</p>  <p>M8X30mm 8pcs</p>	<p>T</p>  <p>M8X50mm 3pcs</p>	<p>W</p>  <p>2pcs</p>
<p>W2</p>  <p>1pc</p>	<p>X2</p>  <p>1pc</p>	<p>Z1</p>  <p>2pcs</p>	<p>Z2</p>  <p>2pcs</p>




STEP 1



Installing sofa legs (part M)

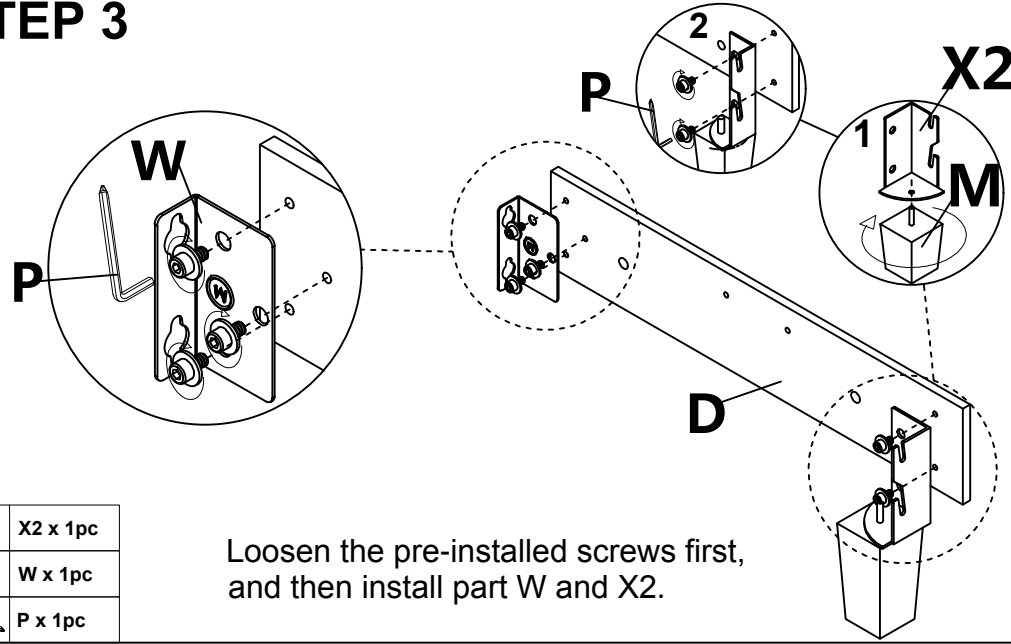
STEP 2






	W2 x 1pc
	W x 1pc
	P x 1pc

Loosen the pre-installed screws first, and then install part W and W2.

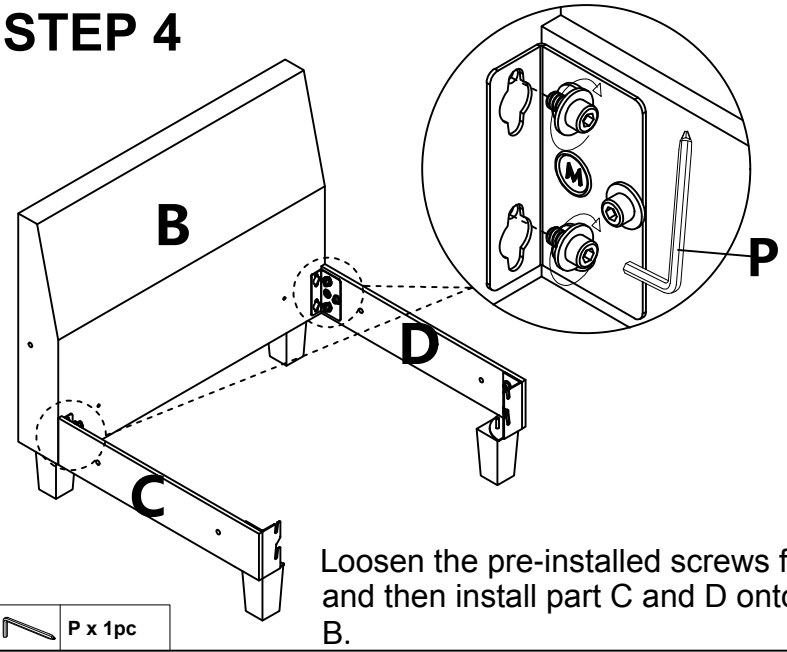
STEP 3




	X2 x 1pc
	W x 1pc
	P x 1pc

Loosen the pre-installed screws first, and then install part W and X2.

STEP 4

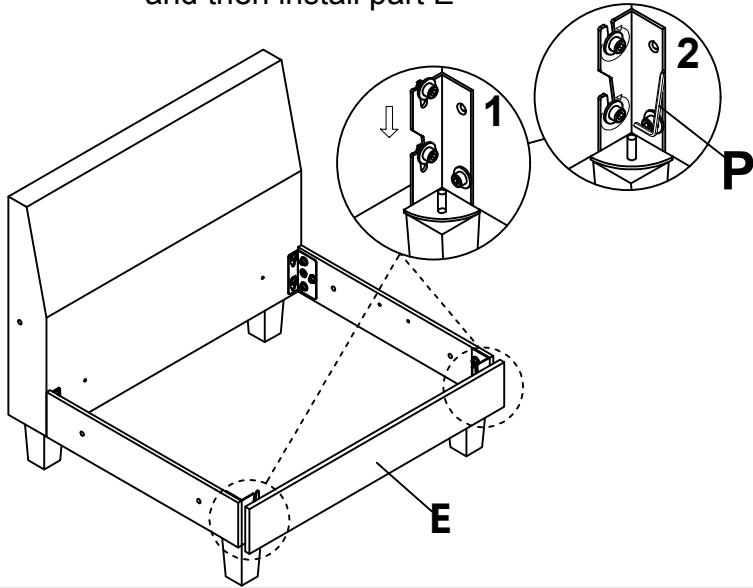


	P x 1pc
---	---------

Loosen the pre-installed screws first, and then install part C and D onto part B.

STEP 5

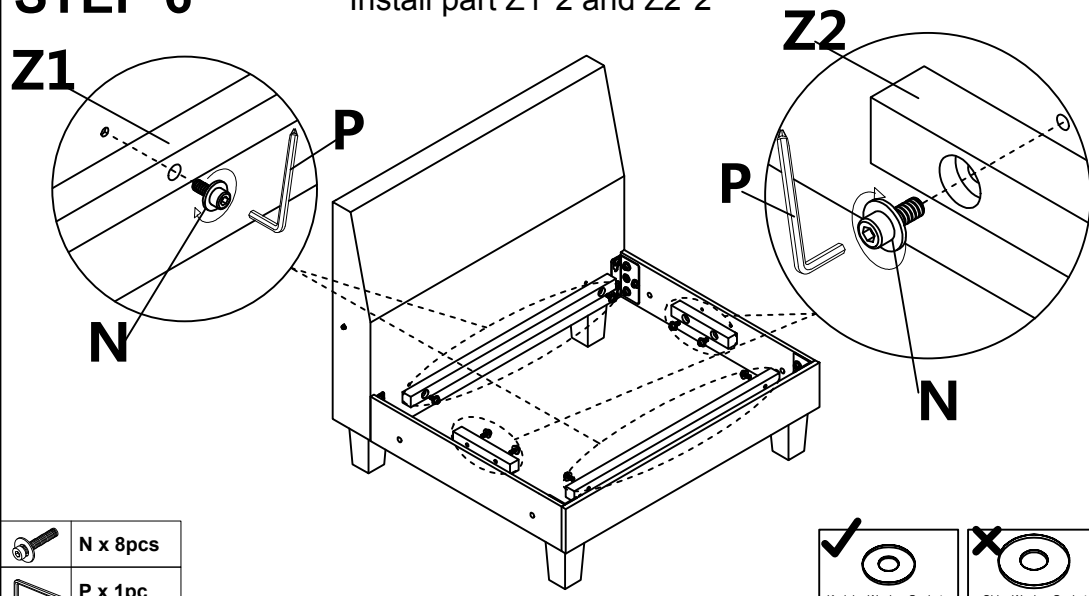
Loosen the pre-installed screws first, and then install part E



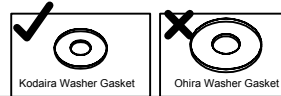
P x 1pc

STEP 6

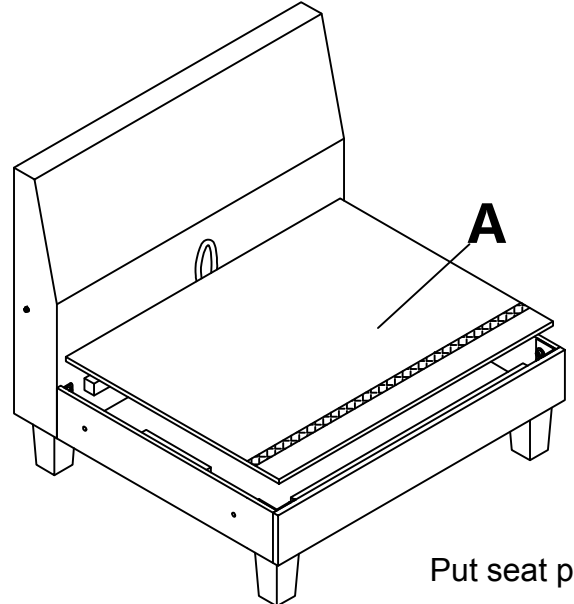
Install part Z1*2 and Z2*2



N x 8pcs
P x 1pc



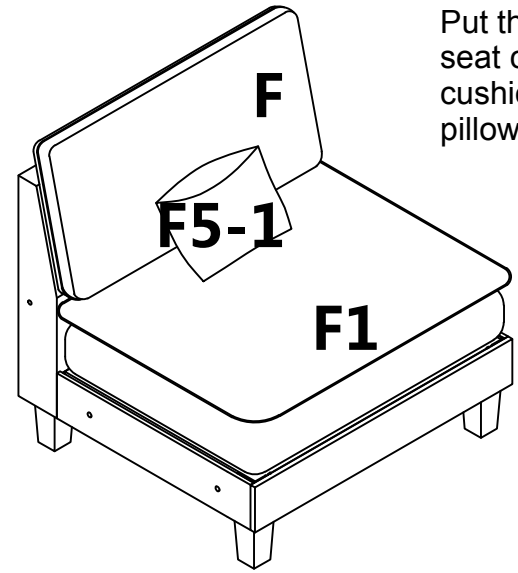
STEP 7



Put seat panel (Part A)

STEP 8

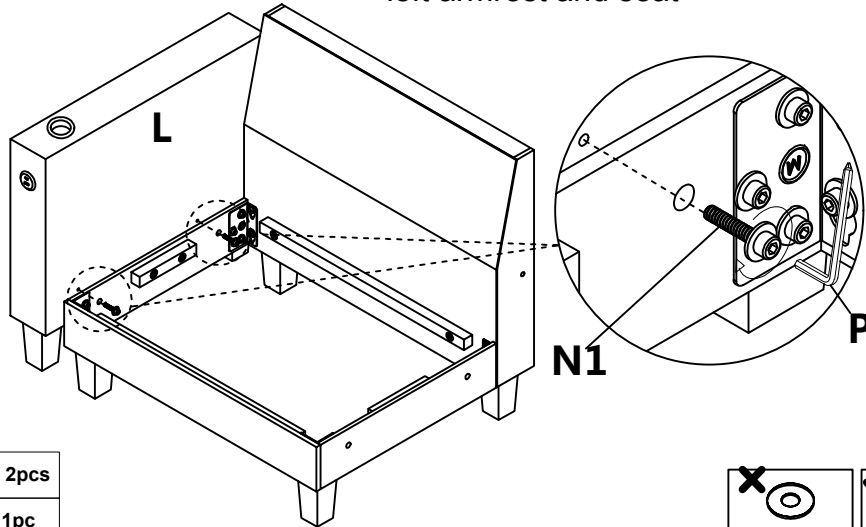
Put the corresponding seat cushions(F1), back cushions(F), and throw pillows(F5-1).



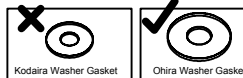
How to Contact Box-A&Box-B&Box-C

STEP 1

Use screw N1 to connect the left armrest and seat

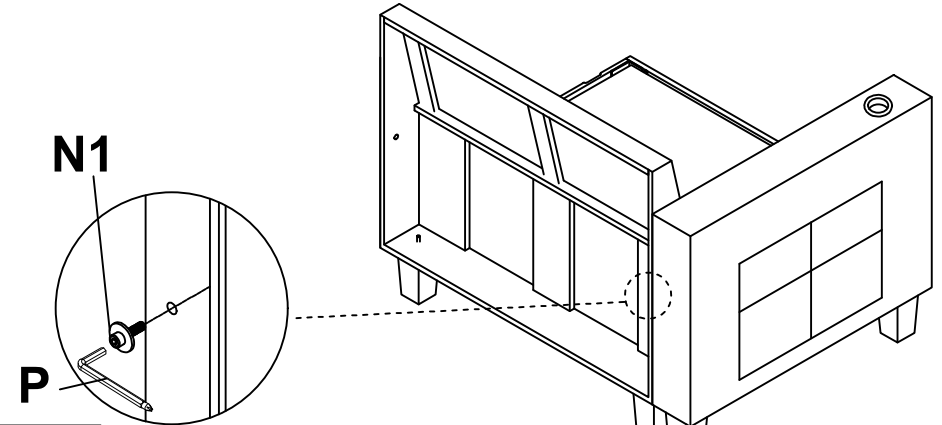


	N1 x 2pcs
	P x 1pc



STEP 2

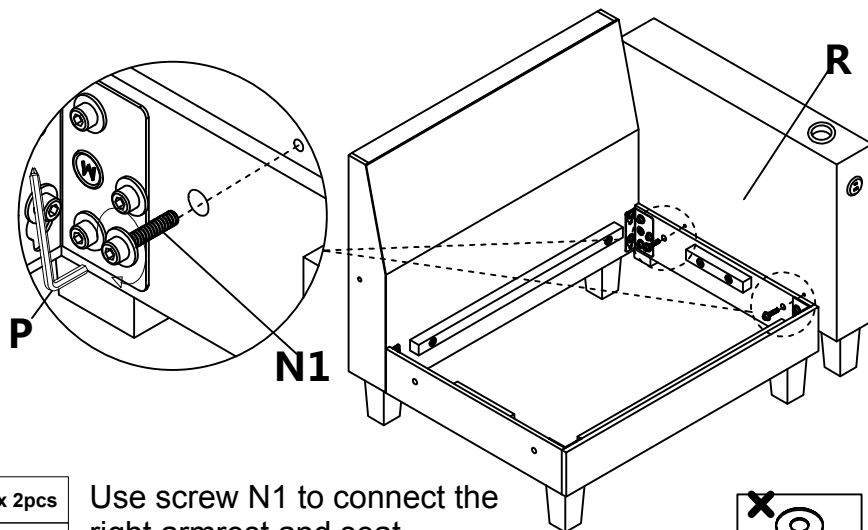
Open the zipper on the back side of the backrest and use screw N1 to reinforce the armrest and the backrest.



	N1 x 1pc
	P x 1pc

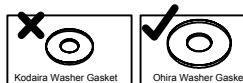


STEP 3

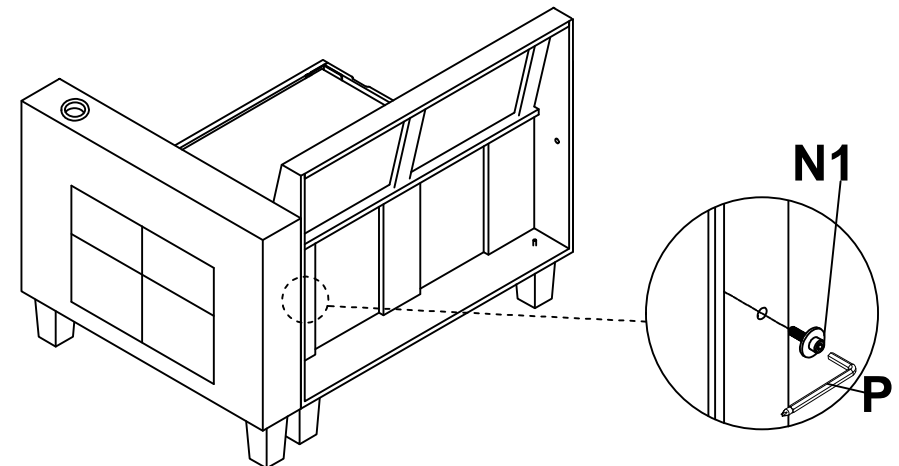


	N1 x 2pcs
	P x 1pc

Use screw N1 to connect the right armrest and seat



STEP 4

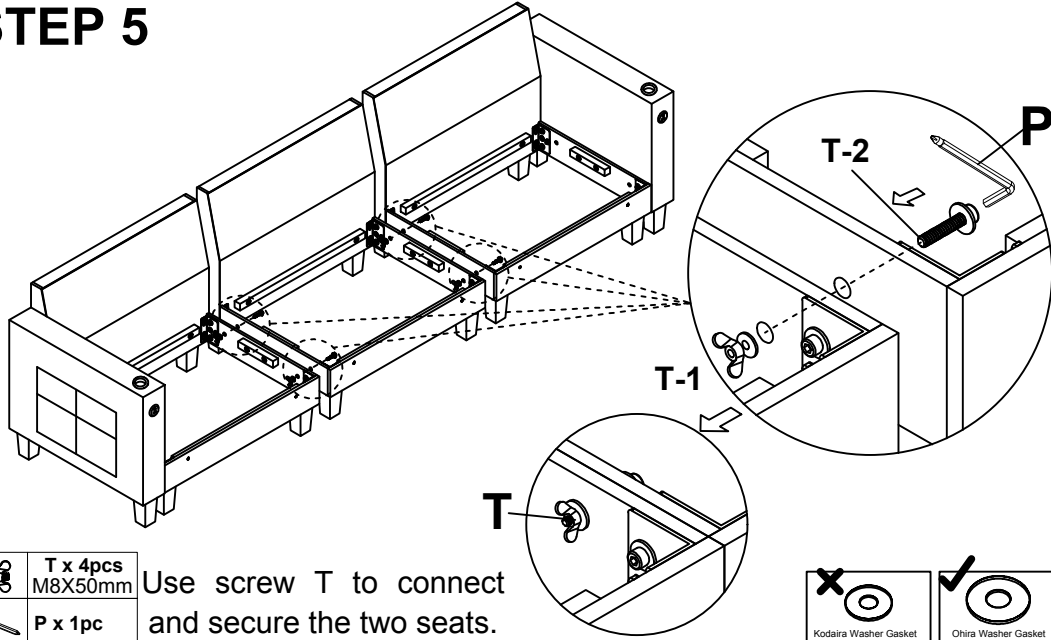


	N1 x 1pc
	P x 1pc

Open the zipper on the back side of the backrest and use screw N1 to reinforce the armrest and the backrest.



STEP 5



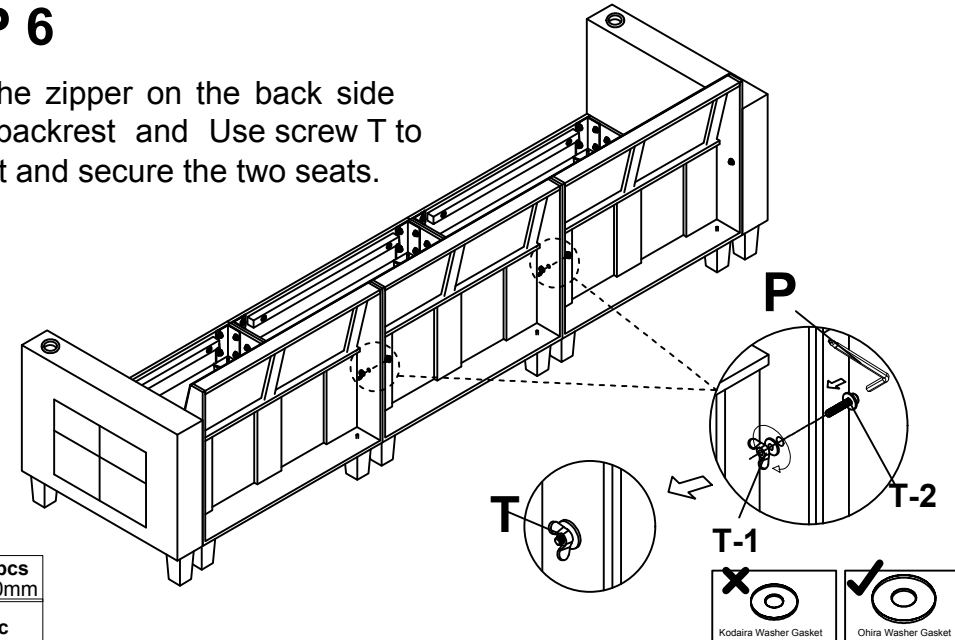
	T x 4pcs M8X50mm
	P x 1pc

 Use screw T to connect and secure the two seats.

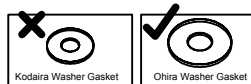


STEP 6

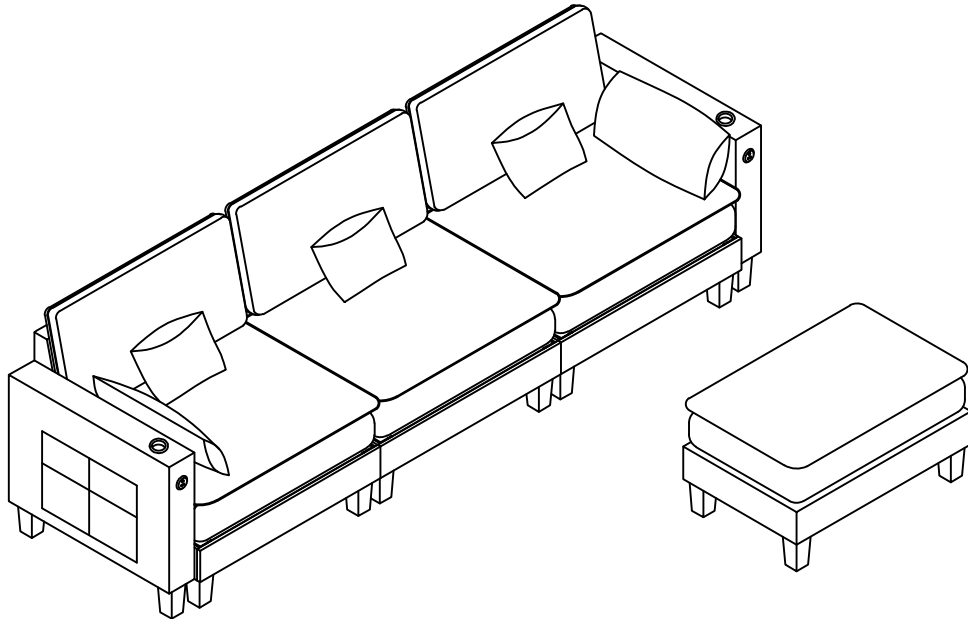
Open the zipper on the back side of the backrest and Use screw T to connect and secure the two seats.



	T x 2pcs M8X50mm
	P x 1pc



STEP 7



Friendly Reminder:

The installation method for the other combinations is similar. Please follow the same steps. If you have any questions, feel free to contact us!