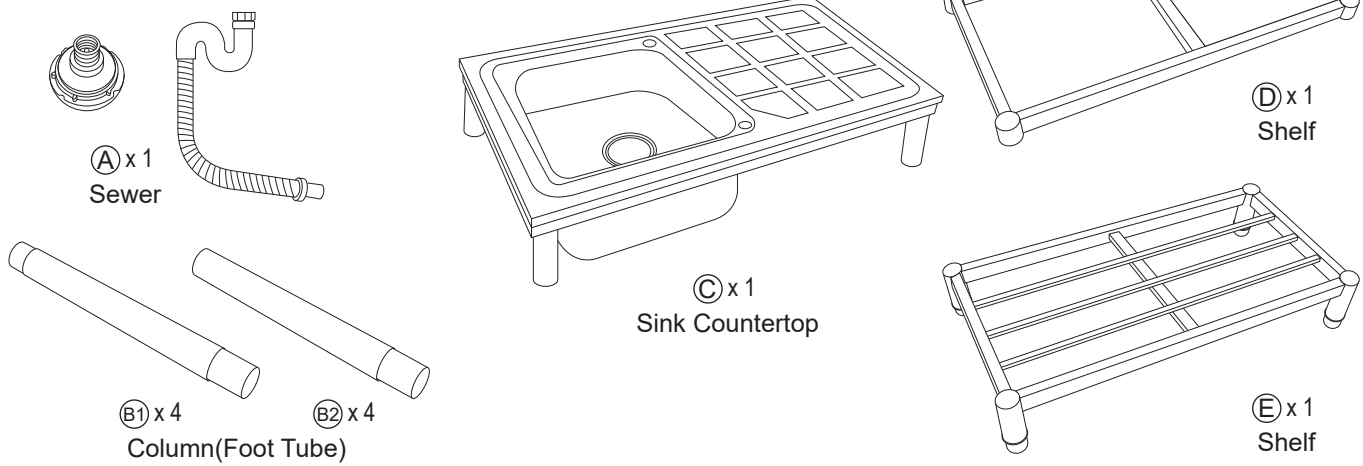
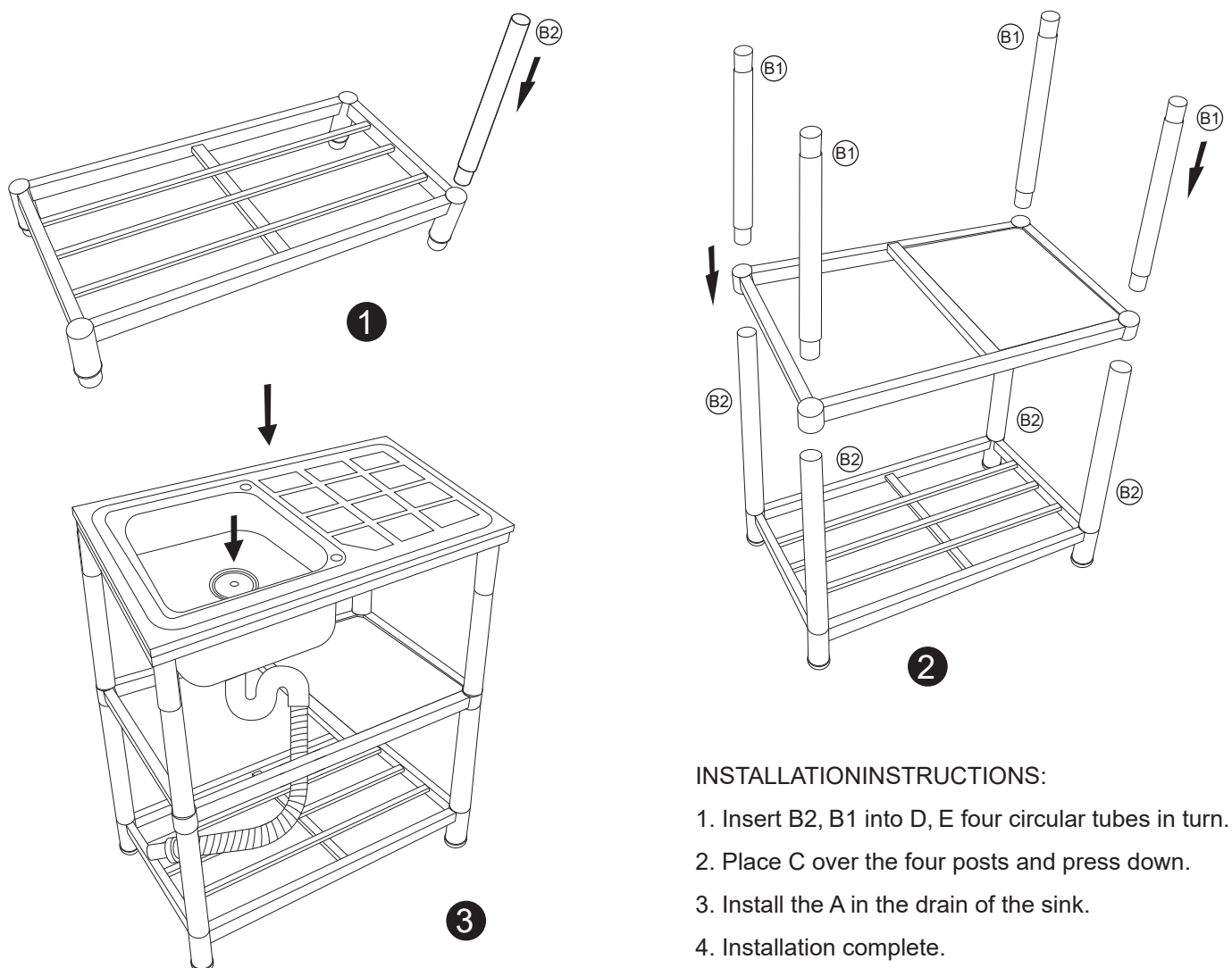


Stainless steel single sink with table

Product accessories



Schematic diagram of installation instructions



INSTALLATION INSTRUCTIONS:

1. Insert B2, B1 into D, E four circular tubes in turn.
2. Place C over the four posts and press down.
3. Install the A in the drain of the sink.
4. Installation complete.