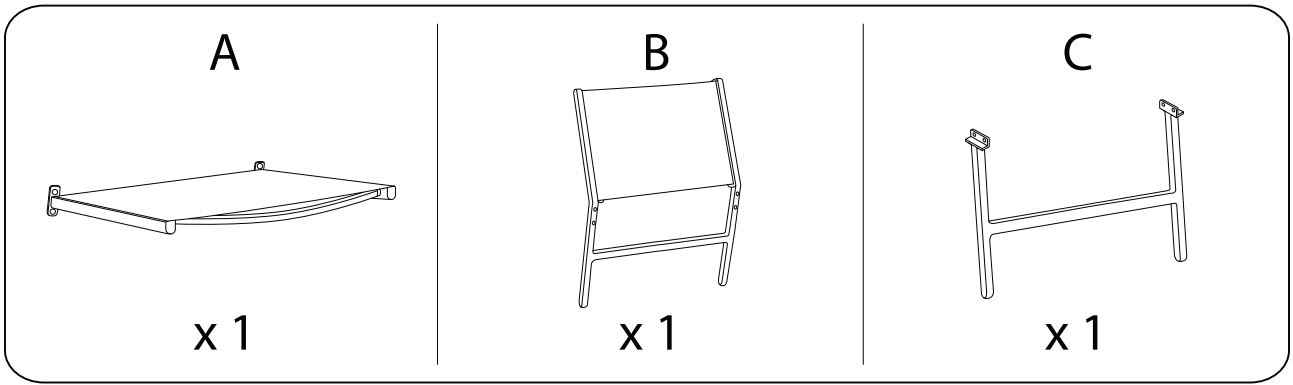


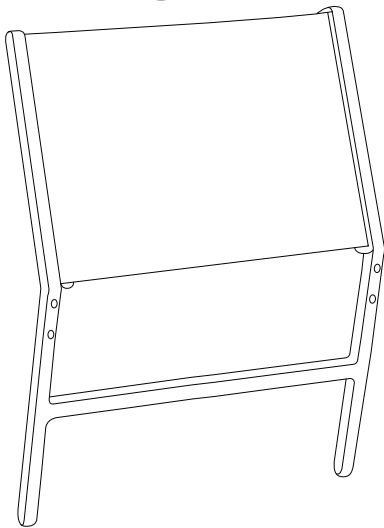
Diagram illustrating assembly steps and safety warnings:

- Step 1:** Shows an L-shaped bracket being inserted into a hole in the chair frame. A power drill is shown with a slash through it, indicating that a power drill should not be used for this step. A warning triangle with an exclamation mark is present.
- Step 2:** Shows a rectangular block being placed on a surface. A power drill is shown with a slash through it, indicating that a power drill should not be used for this step. A warning triangle with an exclamation mark is present.
- Time:** A clock icon indicates a time of 45 minutes.
- Personnel:** A person icon indicates that 1 person is required for the assembly.

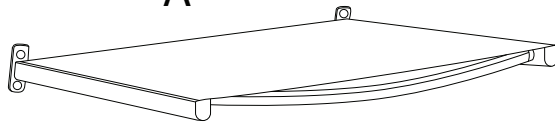
A



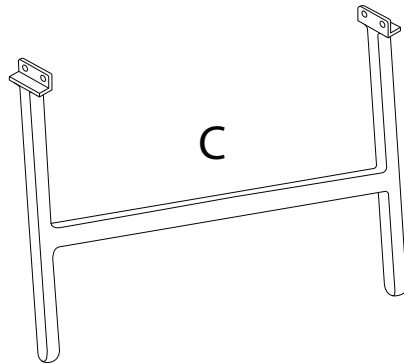
B



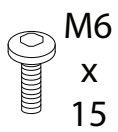
A



C

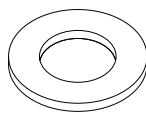


D



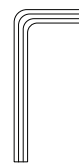
x 8

E



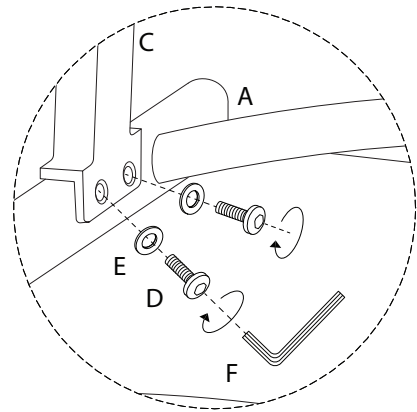
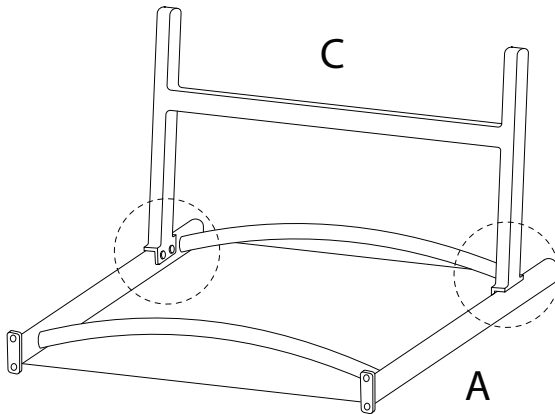
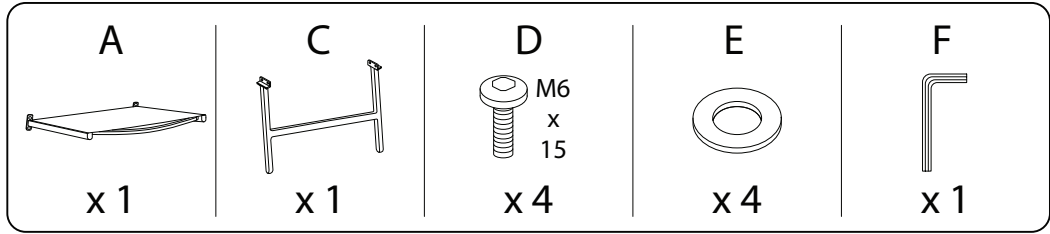
x 8

F

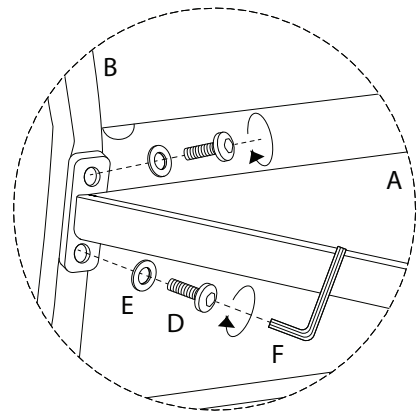
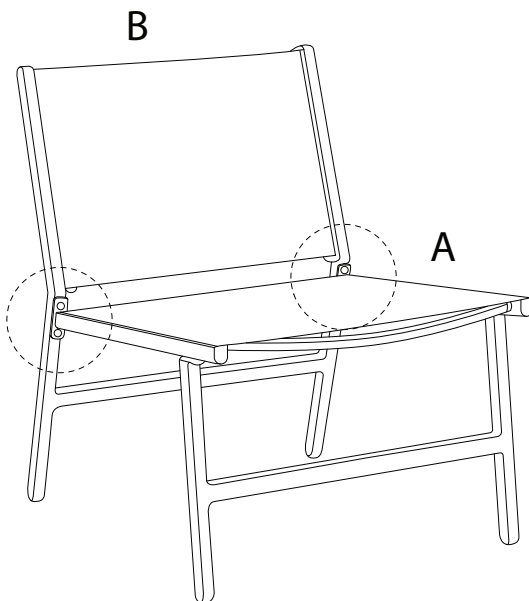
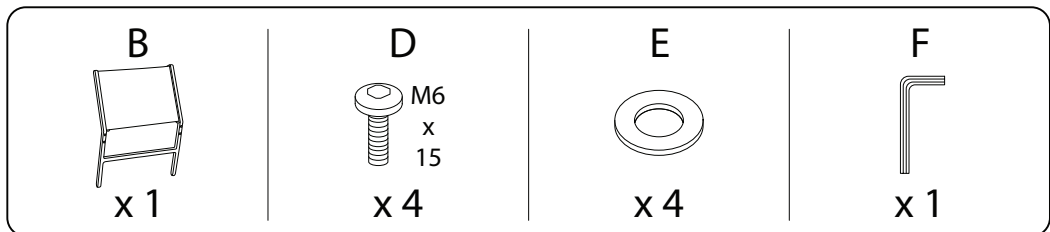


x 1

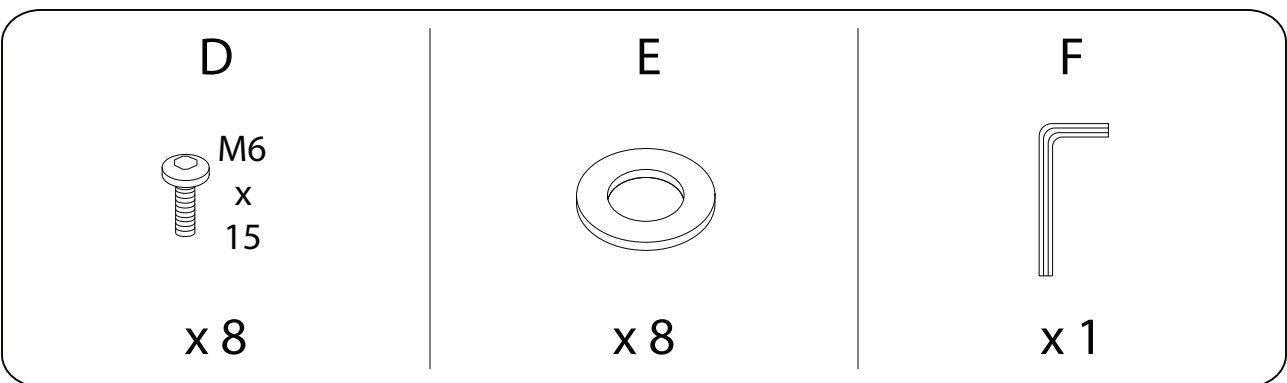
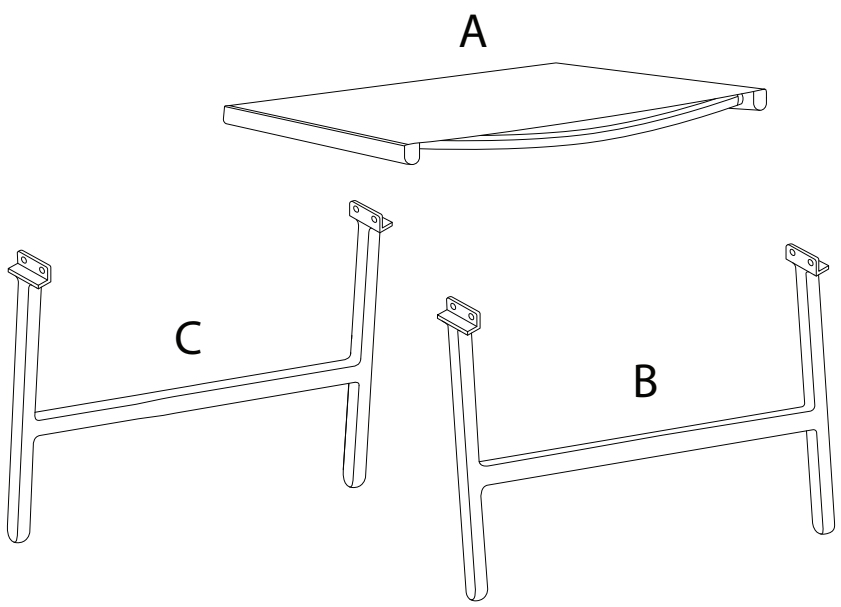
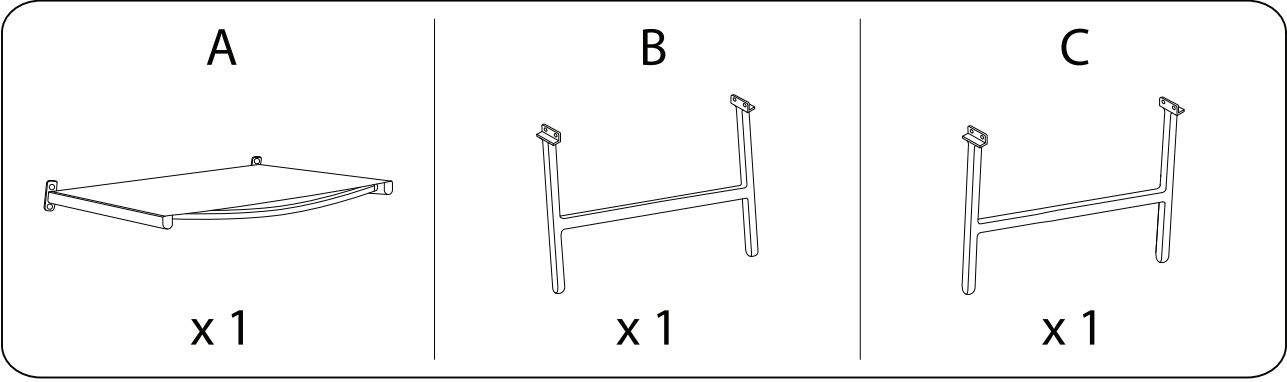
1



2



B



1

