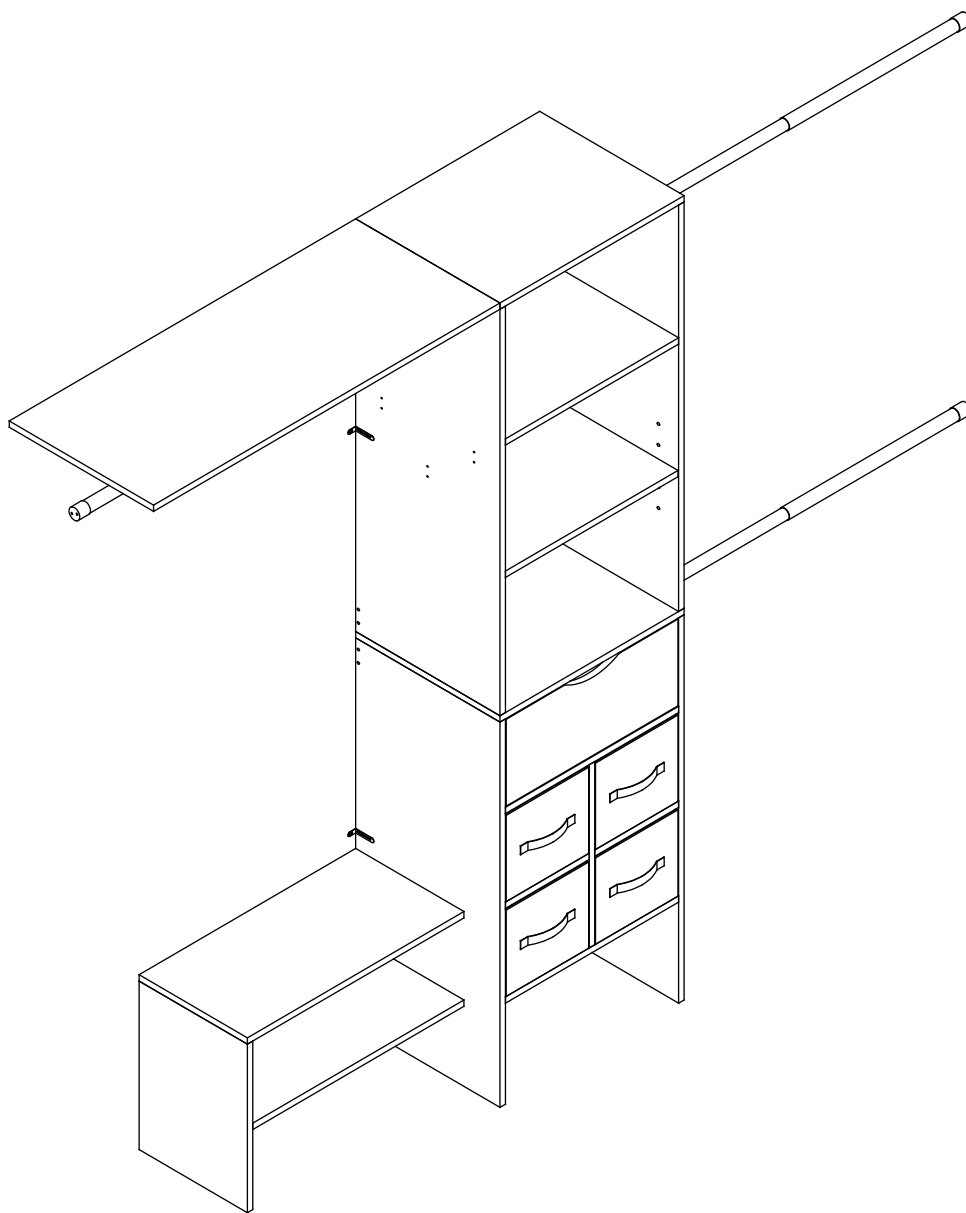


Owner Manual



Single draw wardrobe

Dear customer,

Thank you for your support. If you have any questions or concerns, please don't hesitate to contact us. Our customer service team is always here to help and assist you in any way we can. Thank you again for choosing our single draw wardrobe.

THINGS TO NOTE



TIPS:

1. After receiving the product, please check the product in the package to make sure you have received all the accessories. If the product is damaged, accessories are missing, or you have questions about the installation steps, please contact us immediately. We promise to get back to you within 24 hours and are dedicated to solving your problems. We value your feedback and are willing to provide the support needed to ensure your satisfaction and smooth use of the product.

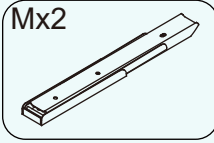
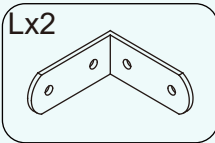
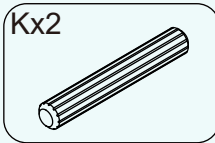
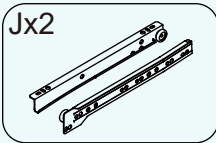
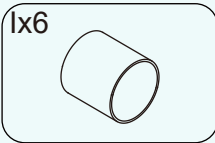
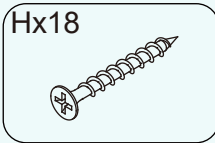
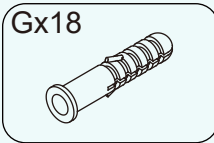
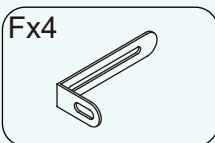
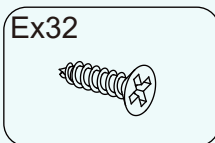
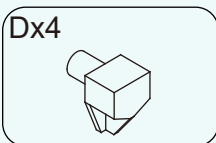
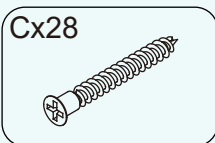
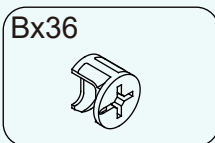
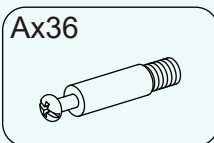
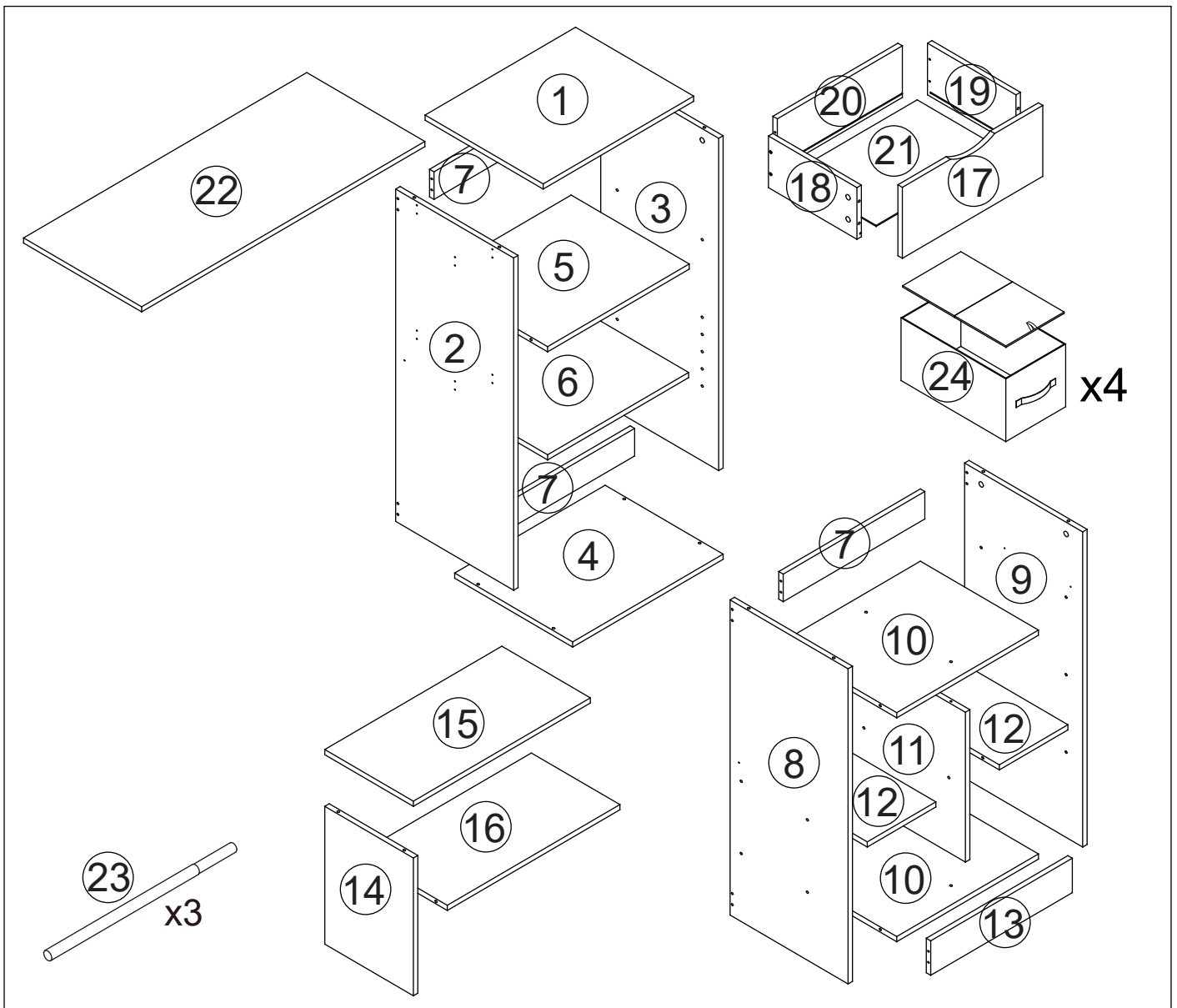
2. Please be sure to follow the installation sequence in the instructions, otherwise the product installation may fail. We recommend that you read the instructions carefully and follow each step to ensure a smooth installation.

3. We strongly recommend that two people work together during the installation process to ensure safety and efficiency. Assembling a closet organizer system typically involves heavy components and intricate steps, and having two people collaborate can significantly reduce the risk of accidents and assembly errors.
If you encounter any questions or difficulties during the installation of the closet organizer system, please do not hesitate to contact our customer service team immediately.

4. The closet organizer system is designed for indoor use only.

5. Assembly of the closet organizer system should be done by competent adults. Both the mounting of the hanging rod and the fastening of the closet require drilling holes in the wall.

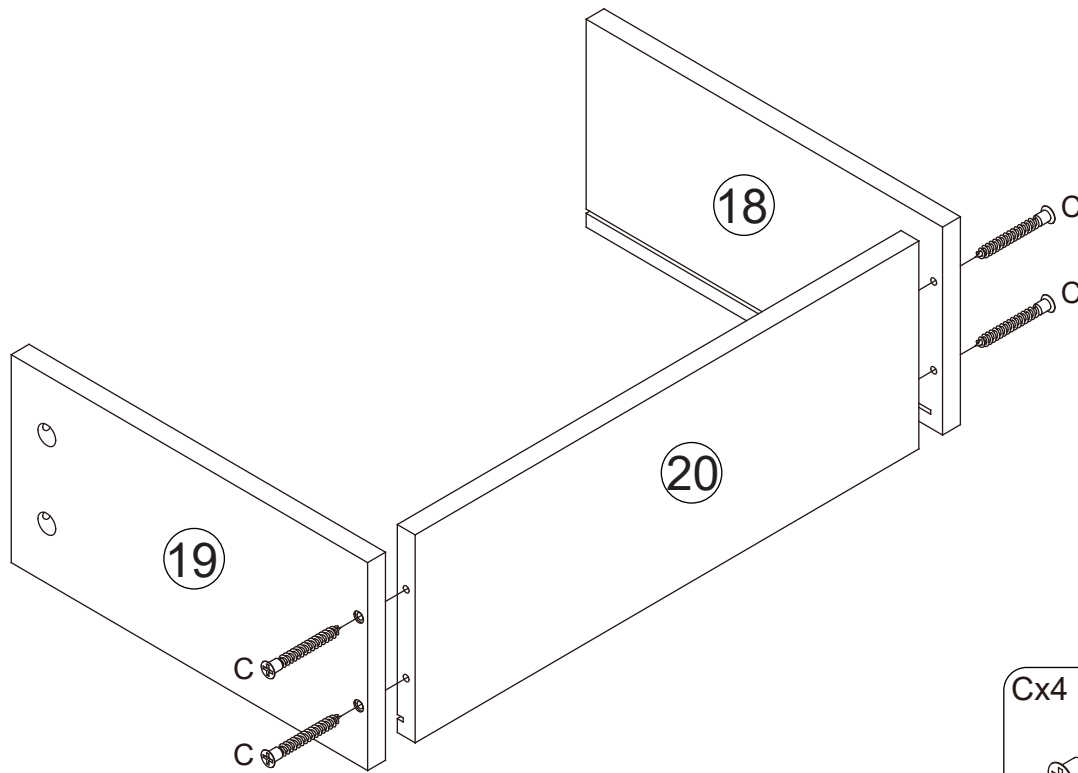
PARTS LIST



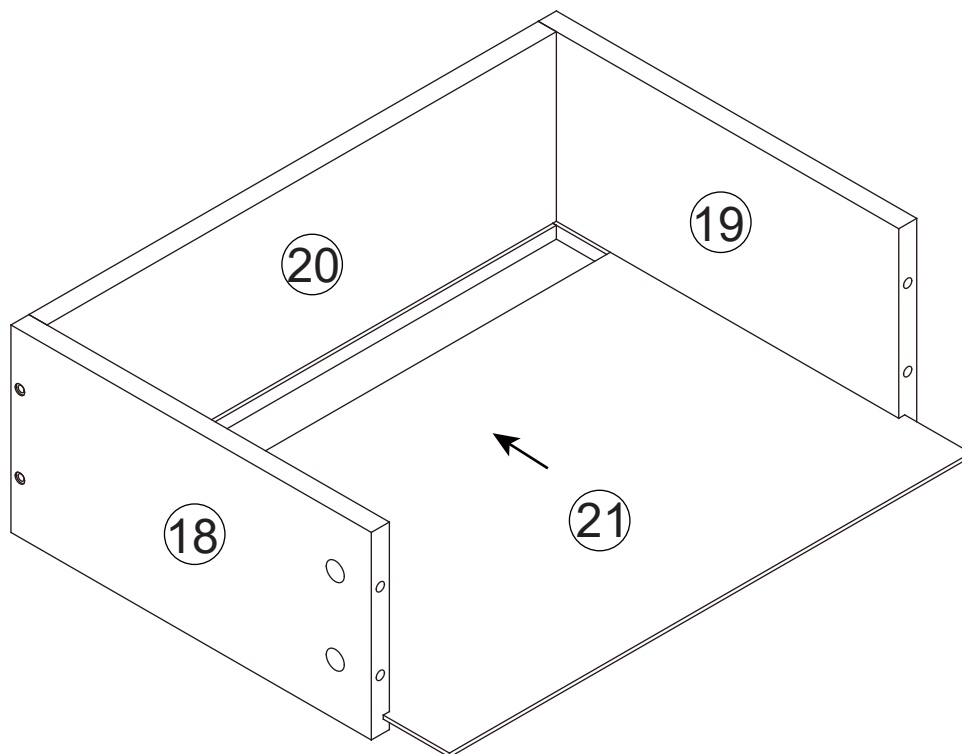
Note: Part I is on metal rod number 23!

INSTALLATION STEPS

STEP 1

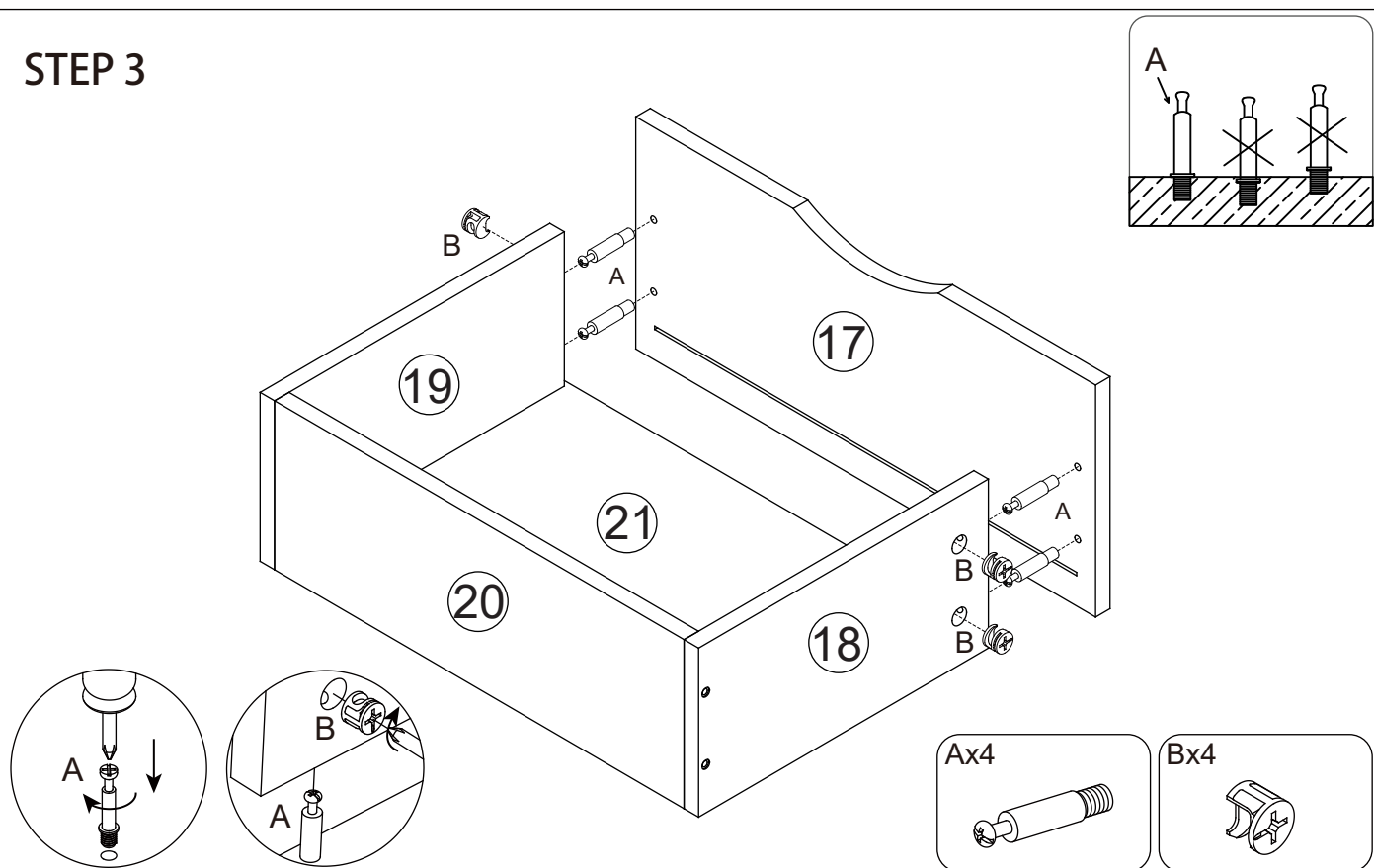


STEP 2

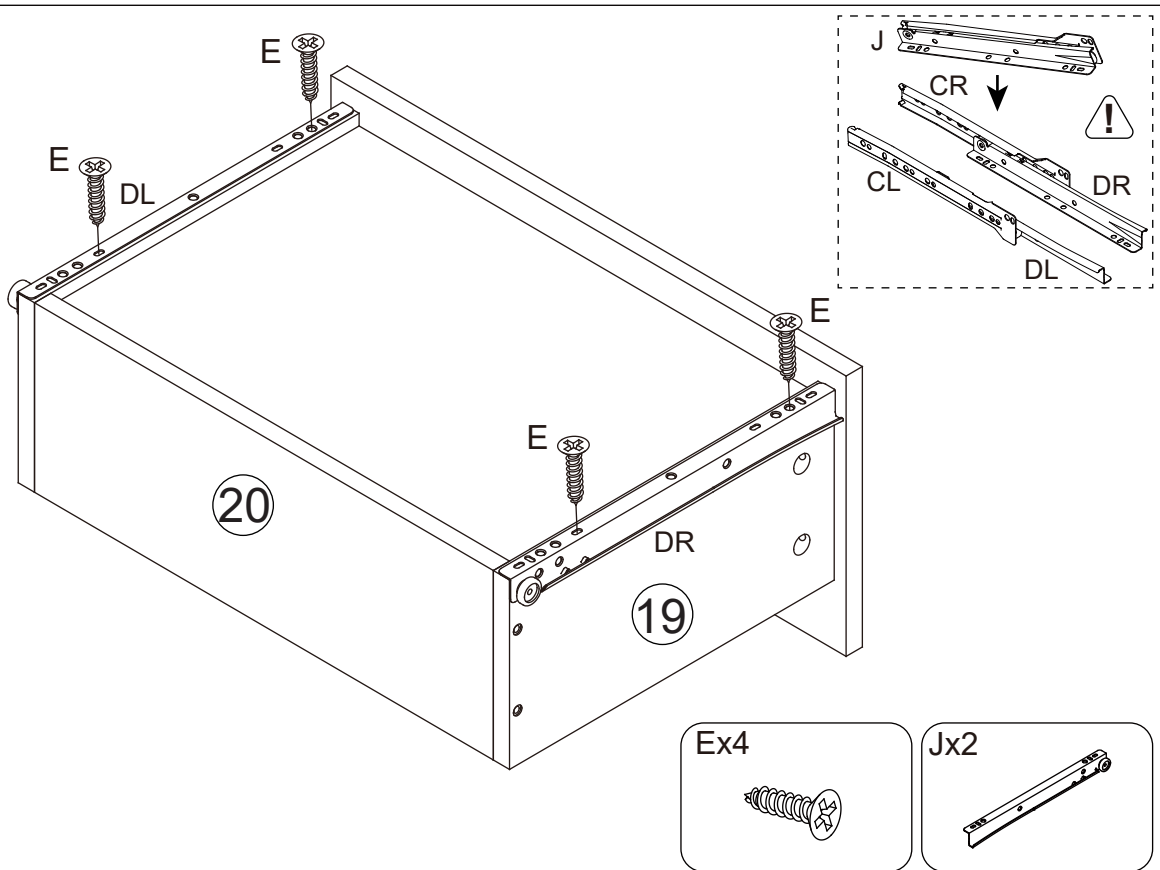


INSTALLATION STEPS

STEP 3

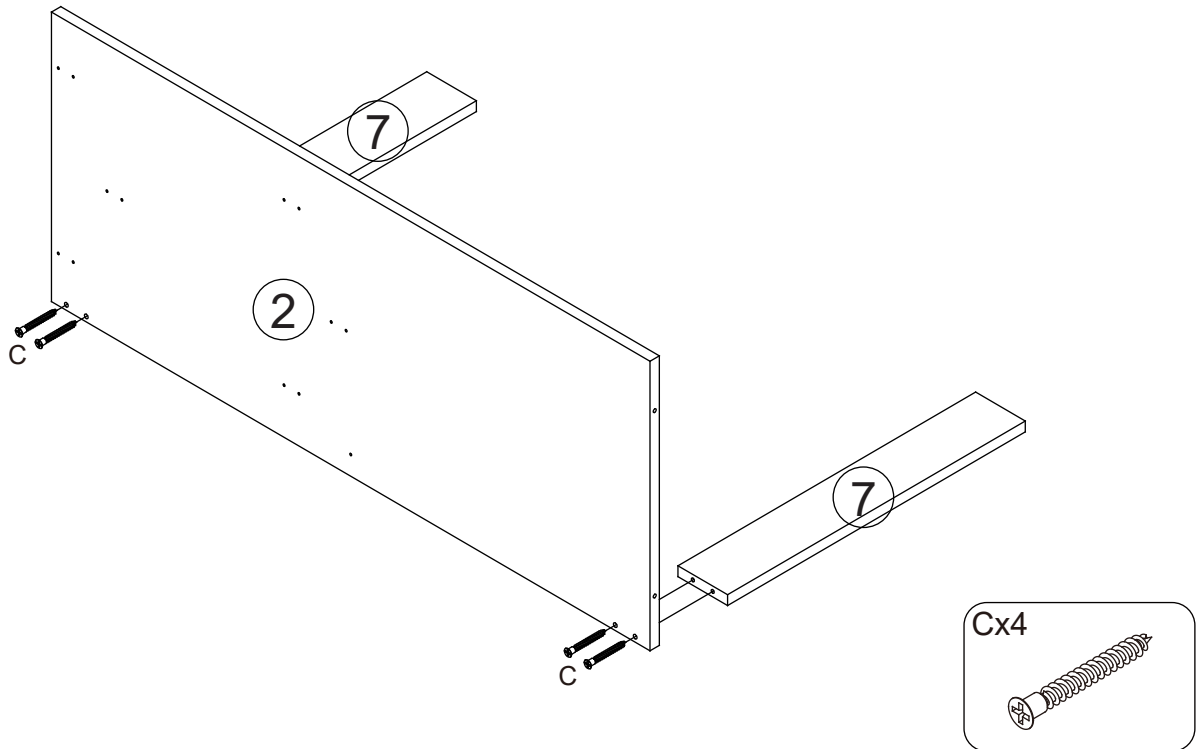


STEP 4

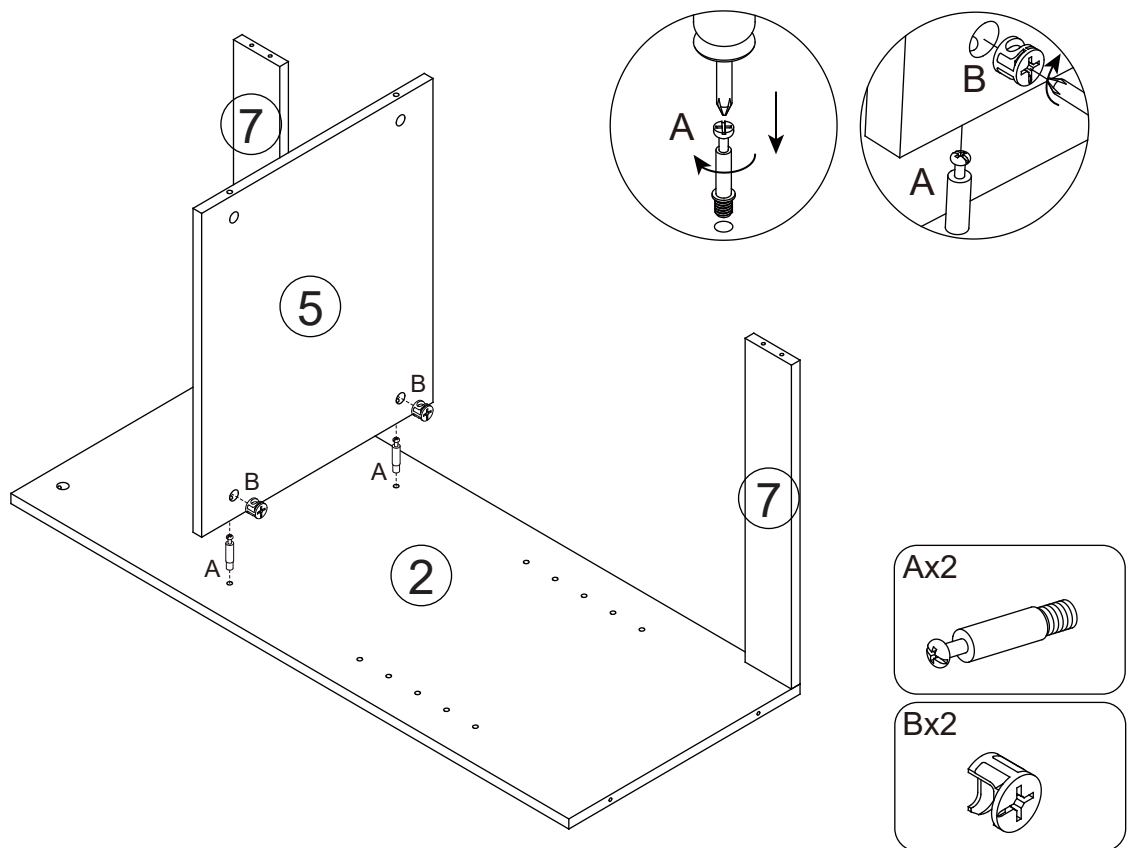


INSTALLATION STEPS

STEP 5

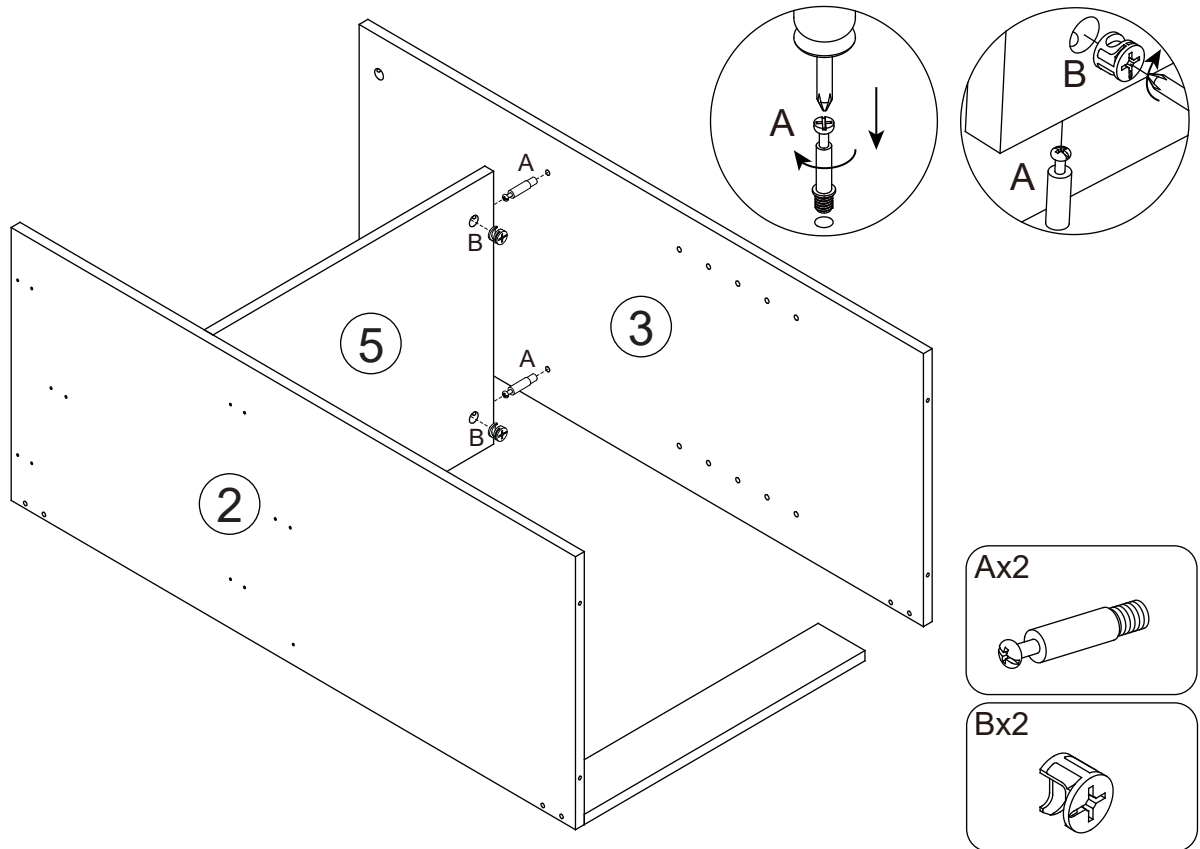


STEP 6

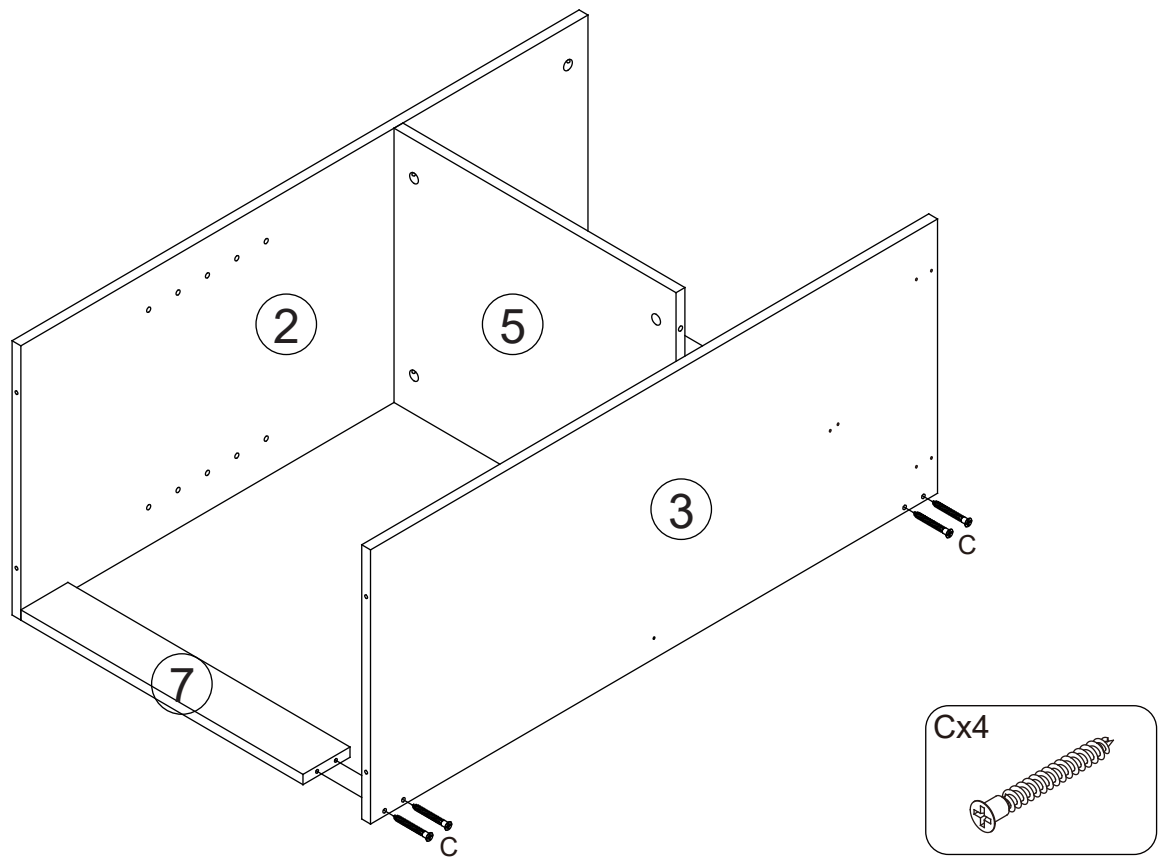


INSTALLATION STEPS

STEP 7

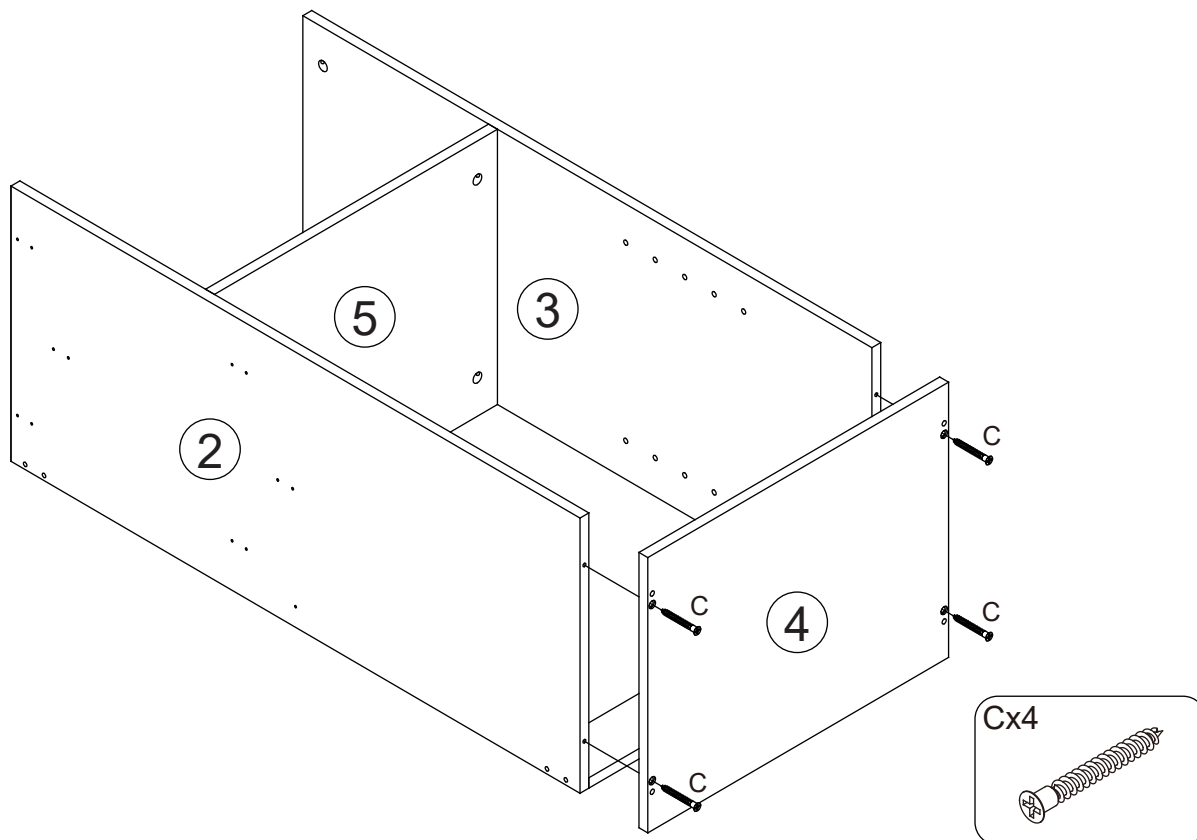


STEP 8

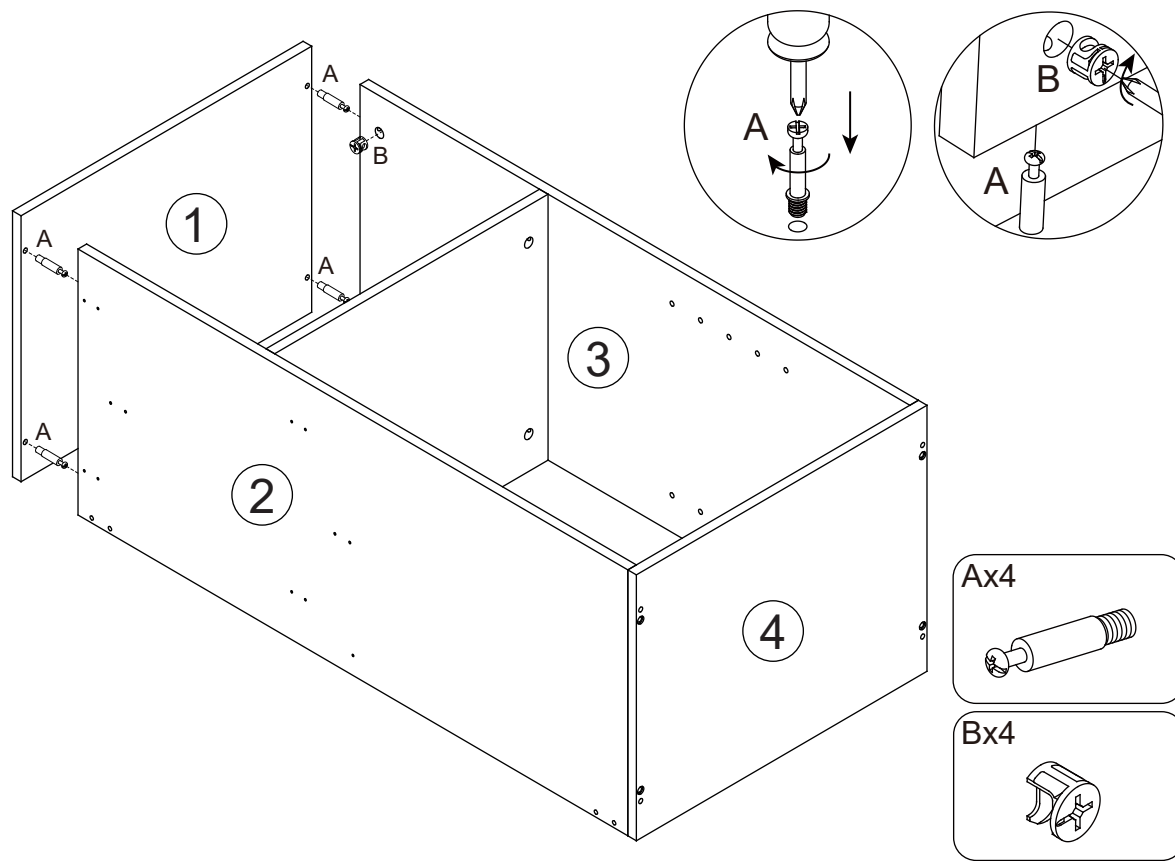


INSTALLATION STEPS

STEP 9

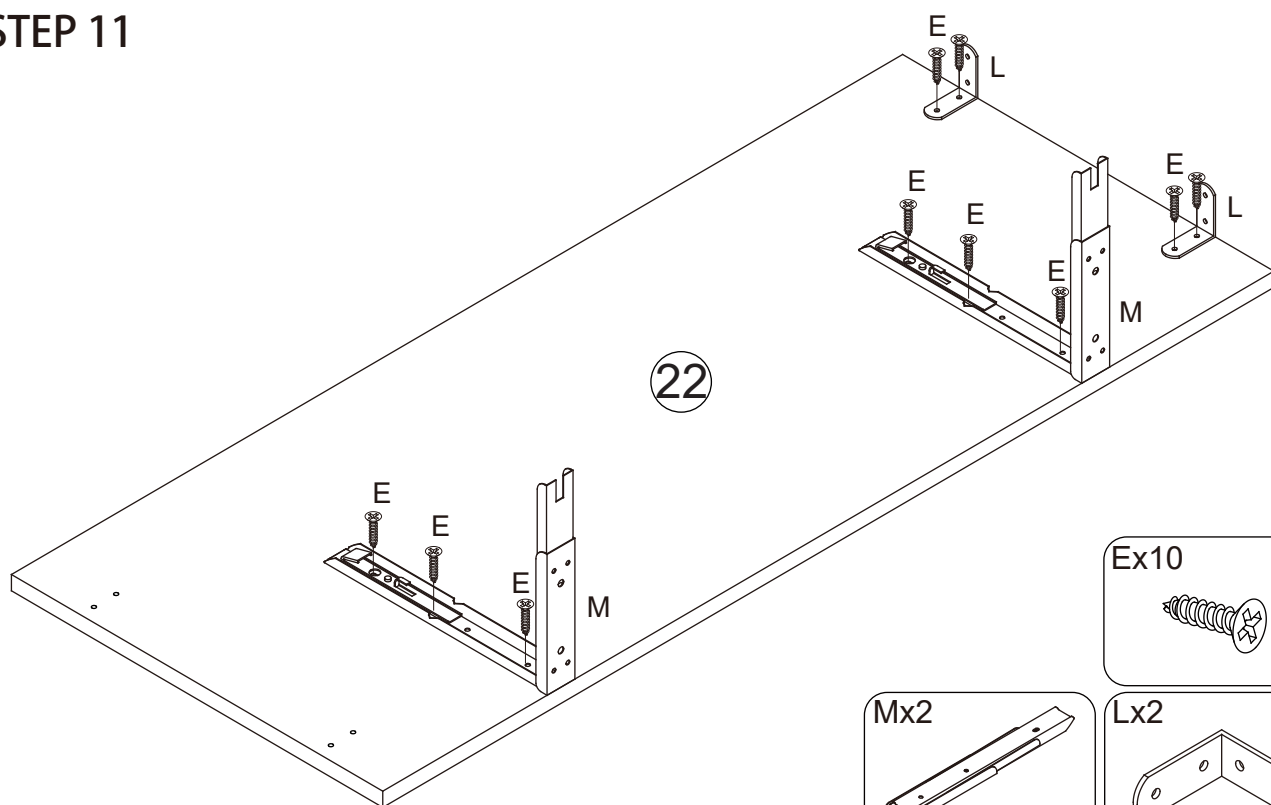


STEP 10

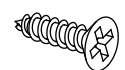


INSTALLATION STEPS

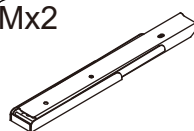
STEP 11



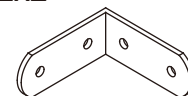
Ex10



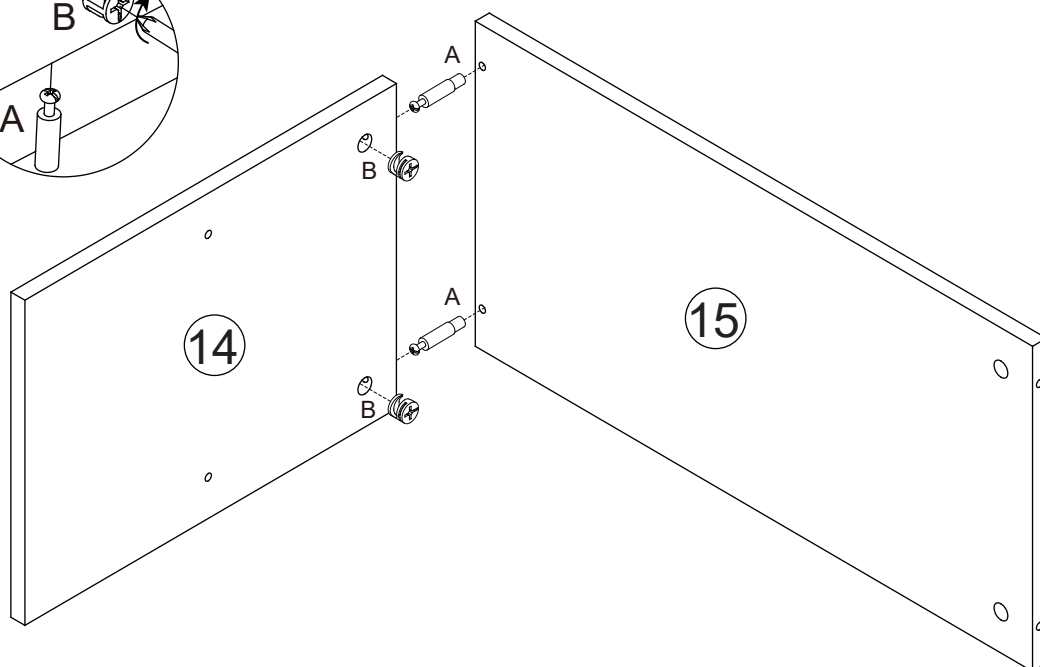
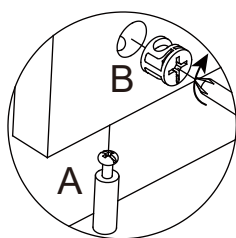
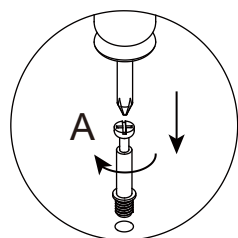
Mx2



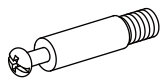
Lx2



STEP 12



Ax2

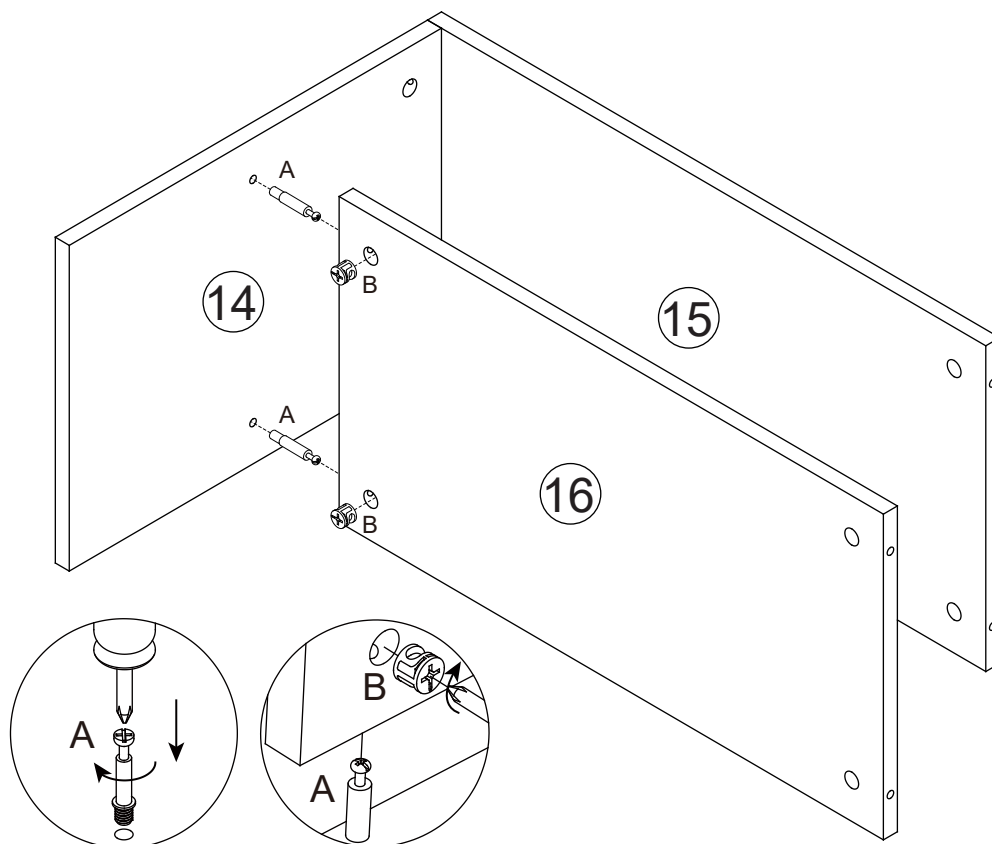


Bx2

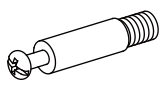


INSTALLATION STEPS

STEP 13



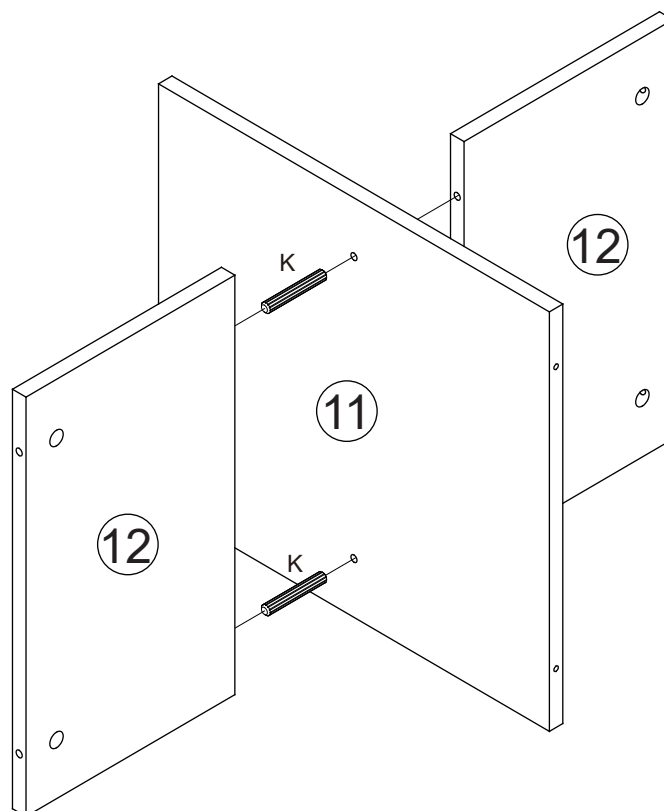
Ax2



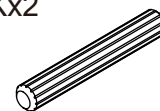
Bx2



STEP 14

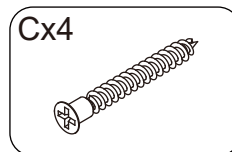
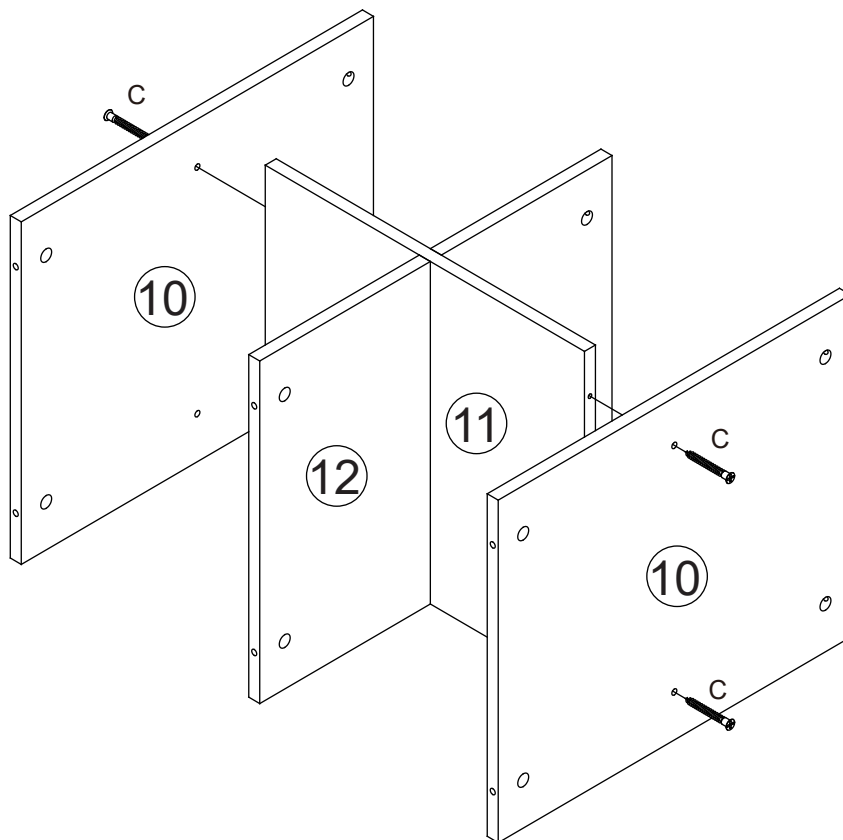


Kx2

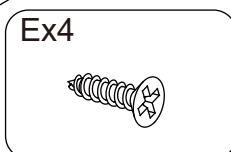
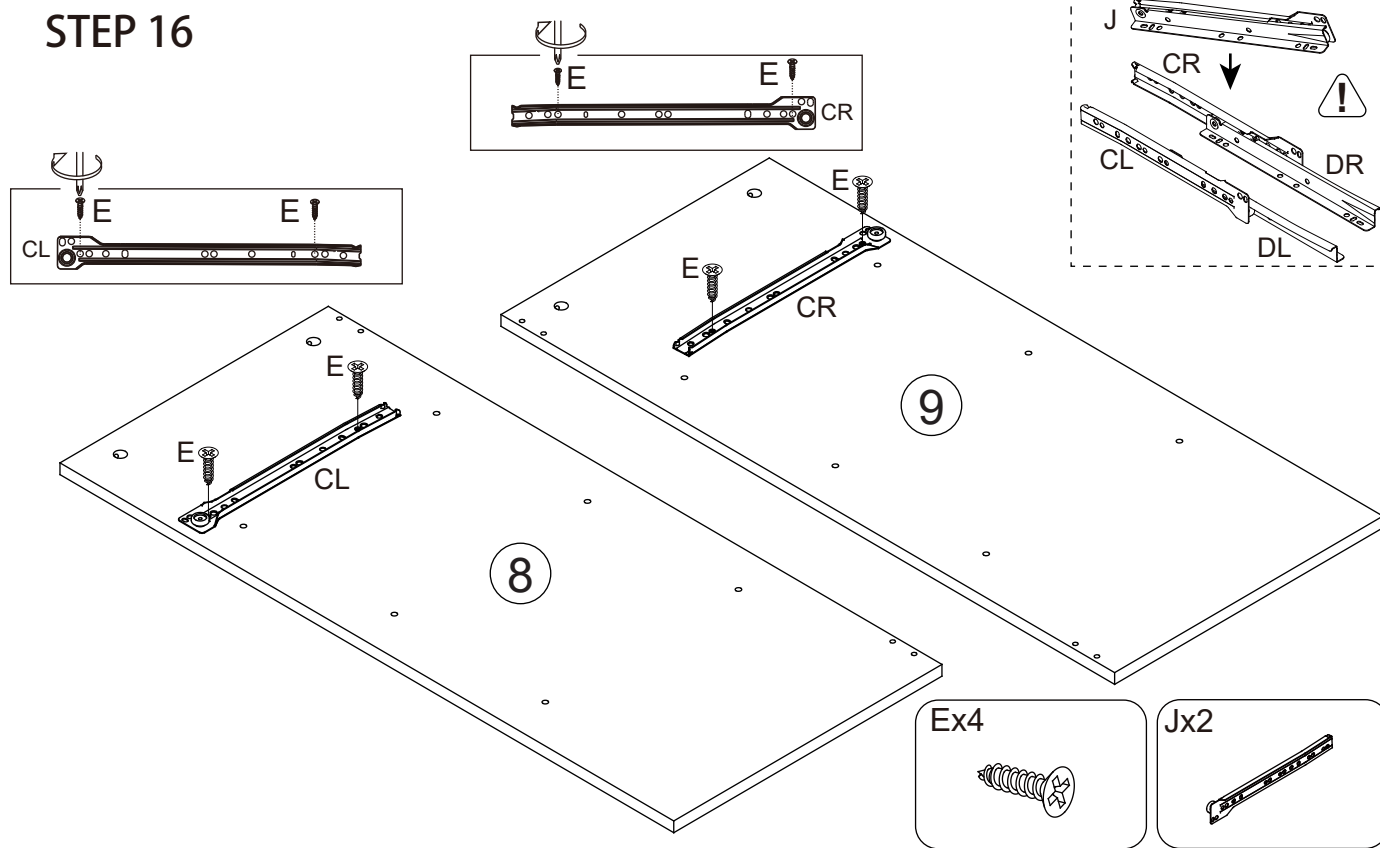


INSTALLATION STEPS

STEP 15

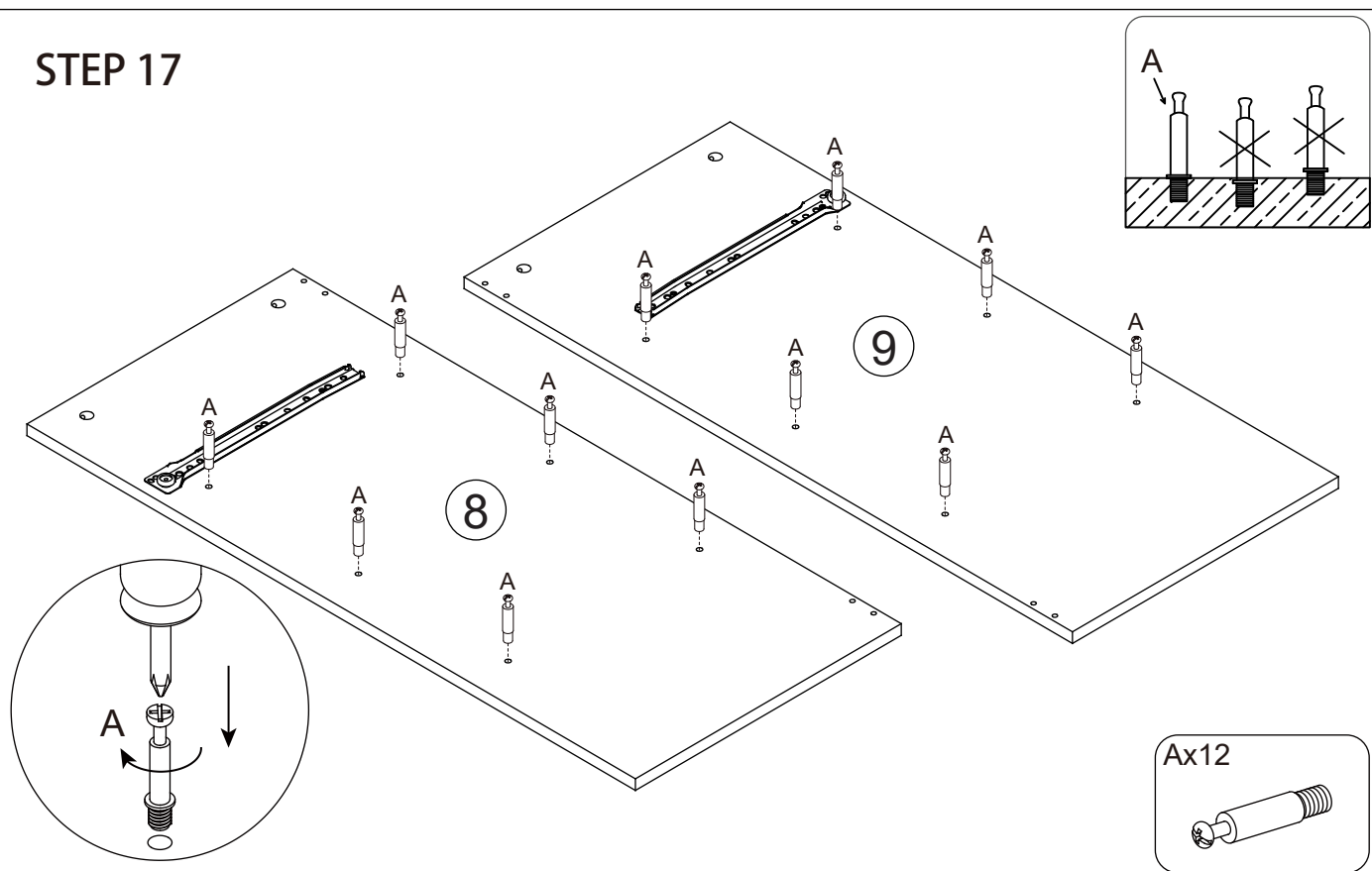


STEP 16

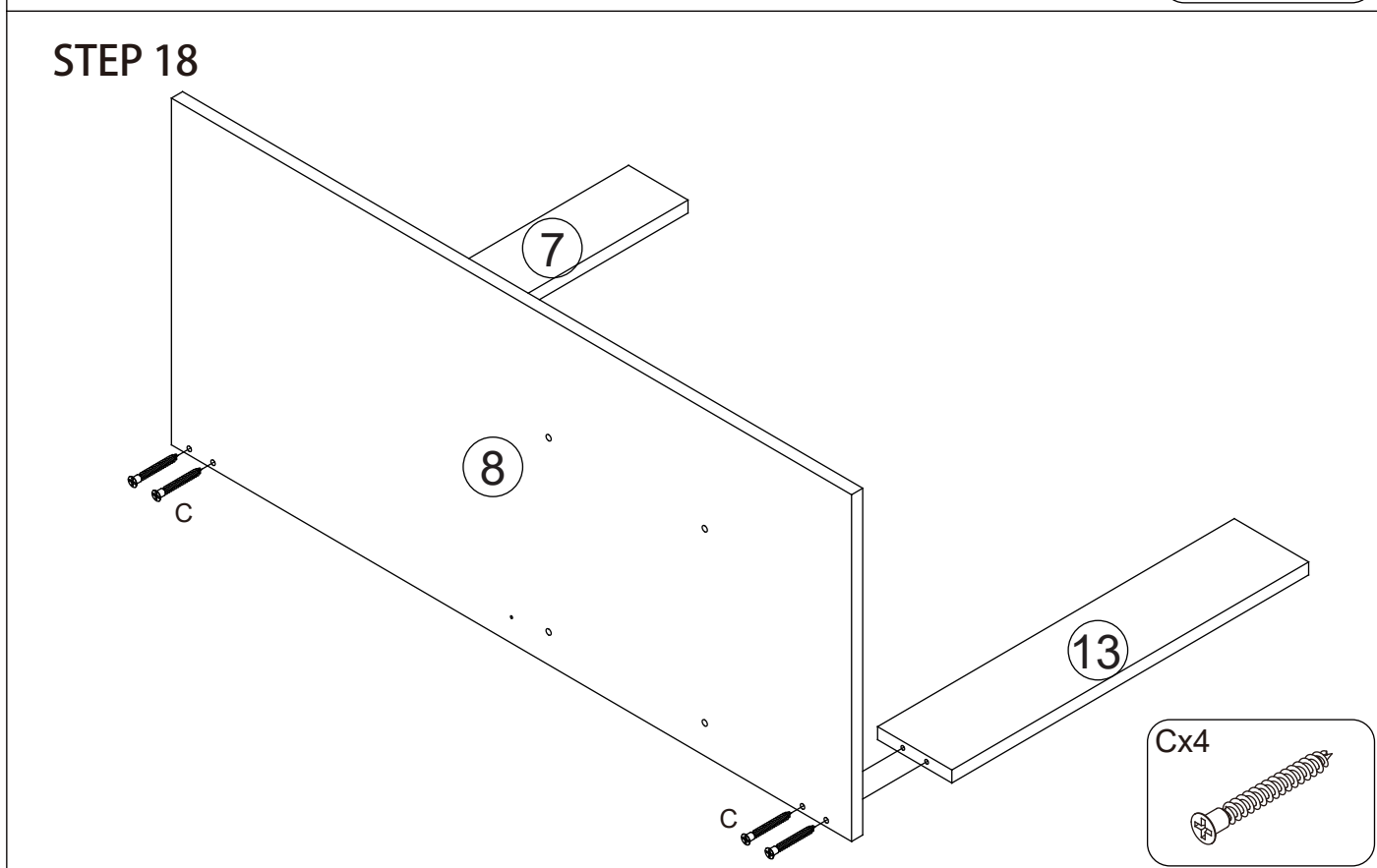


INSTALLATION STEPS

STEP 17

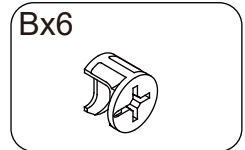
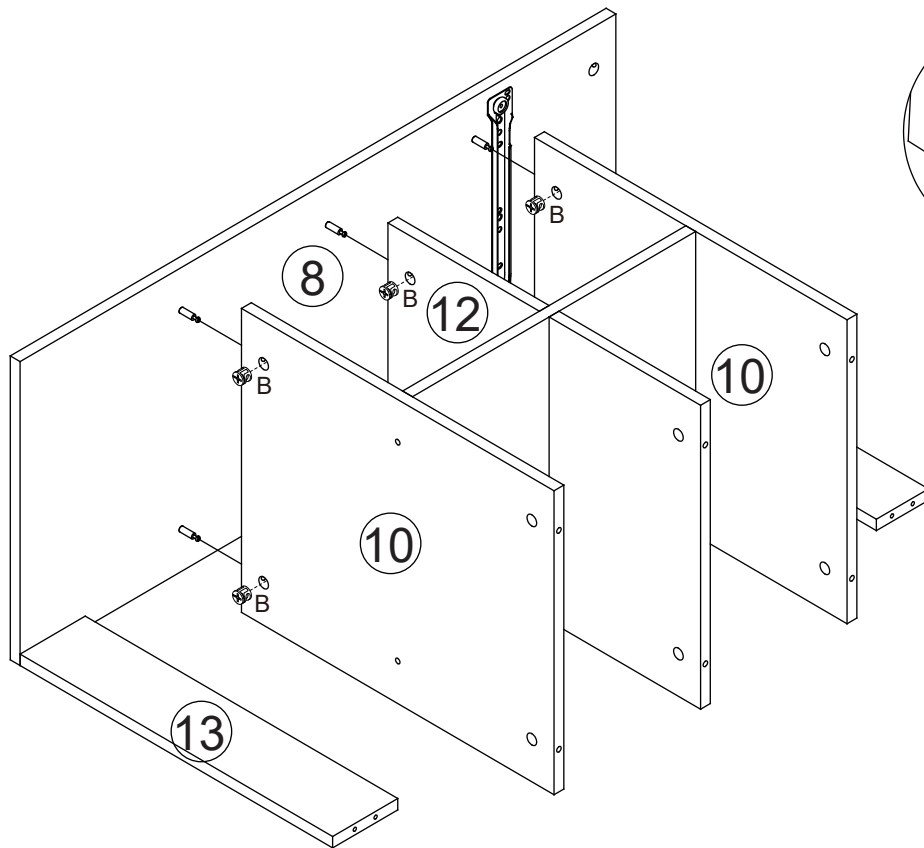


STEP 18

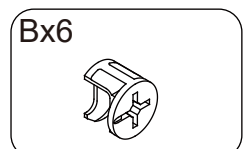
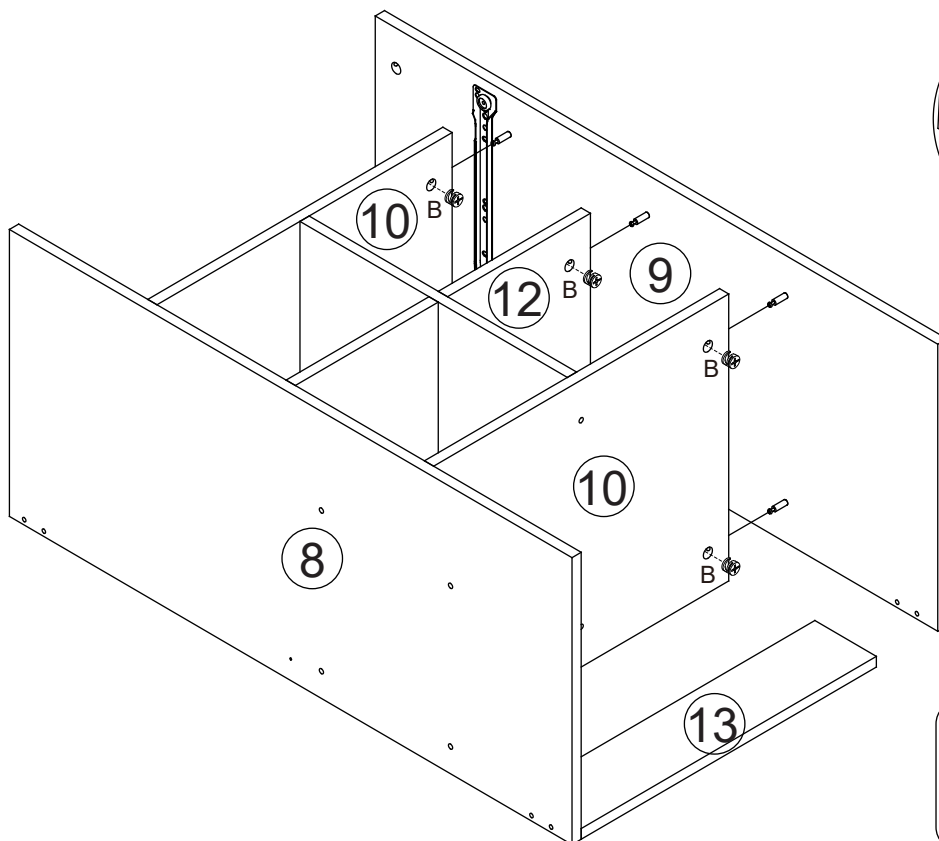


INSTALLATION STEPS

STEP 19

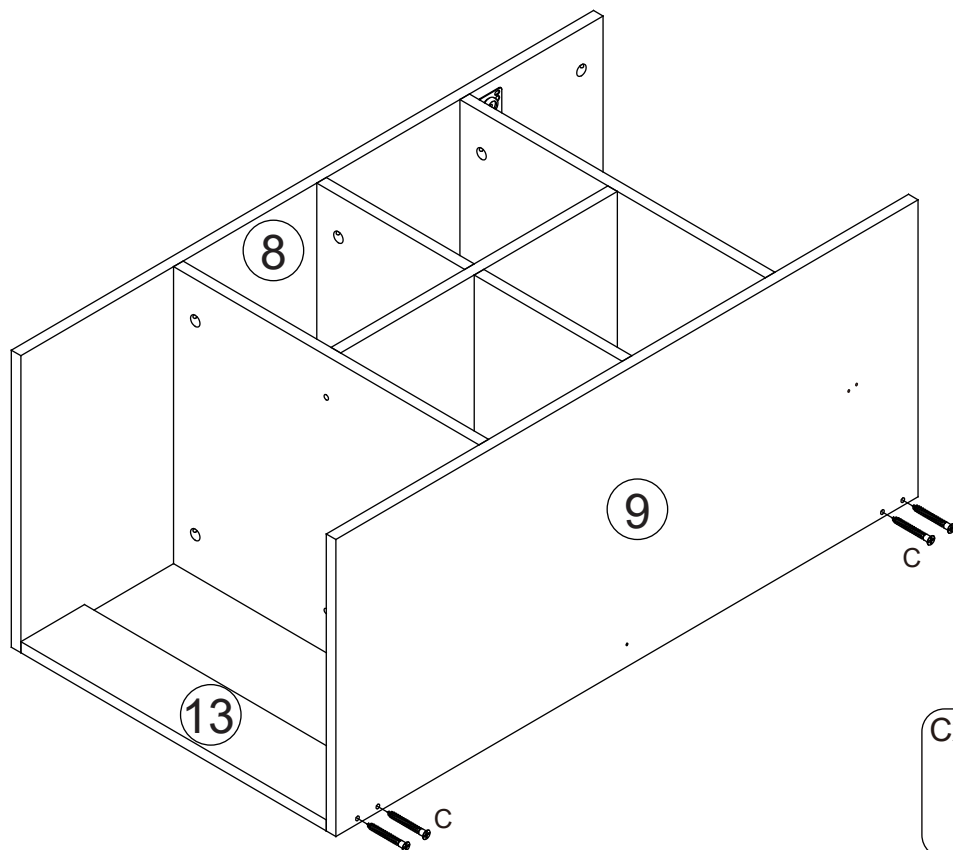


STEP 20

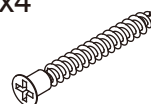


INSTALLATION STEPS

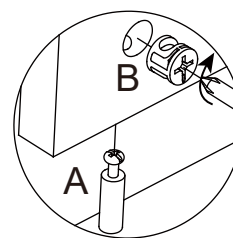
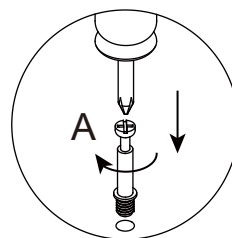
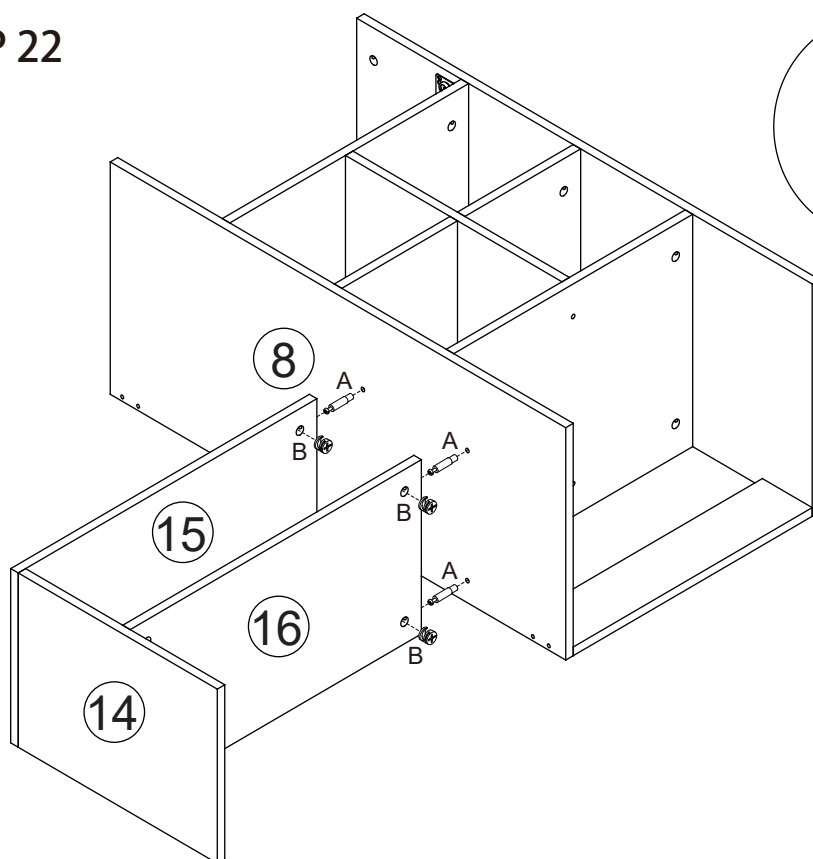
STEP 21



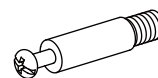
Cx4



STEP 22



Ax4

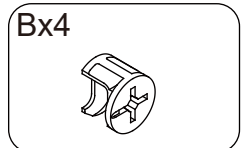
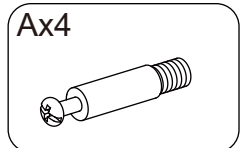
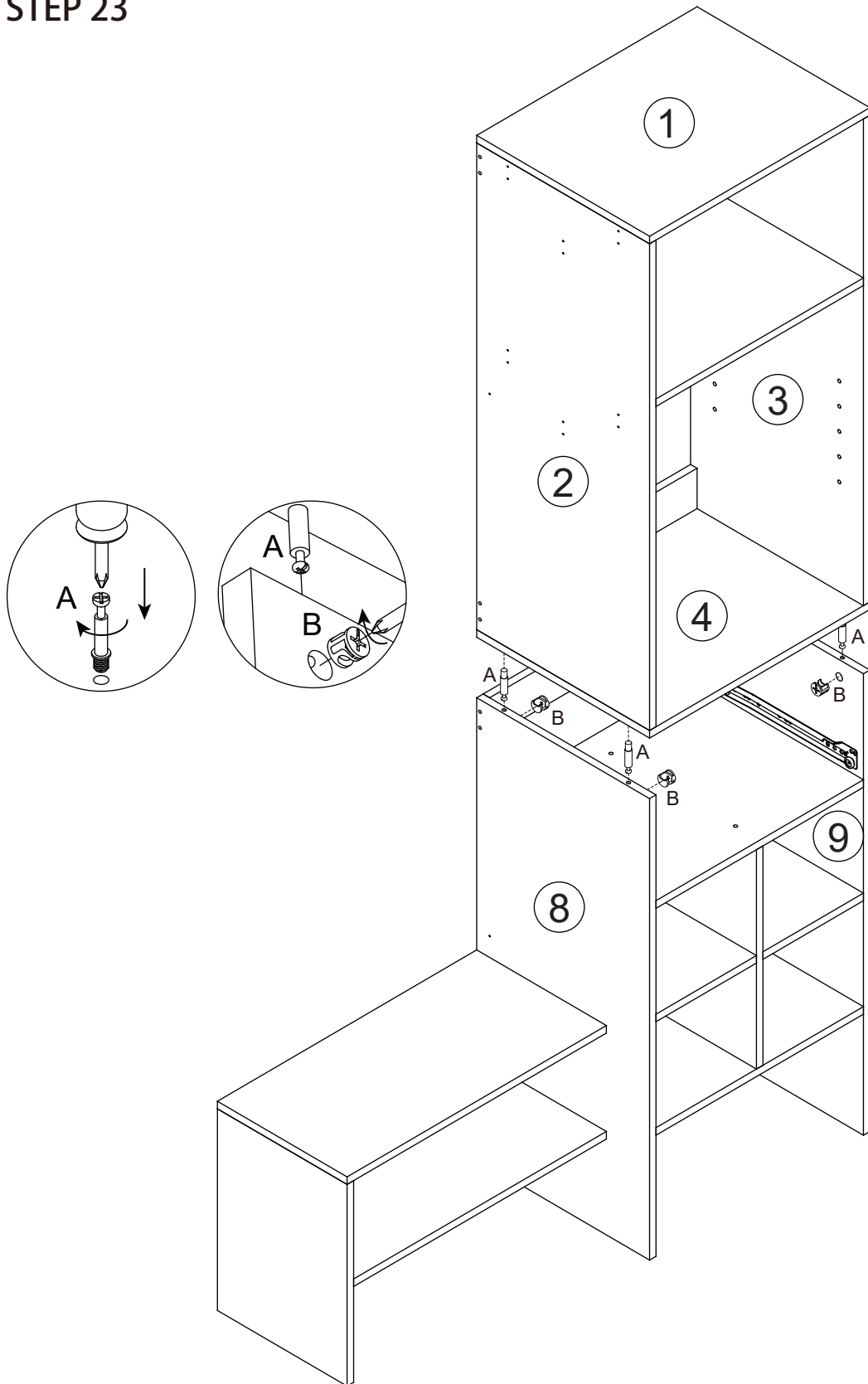


Bx4



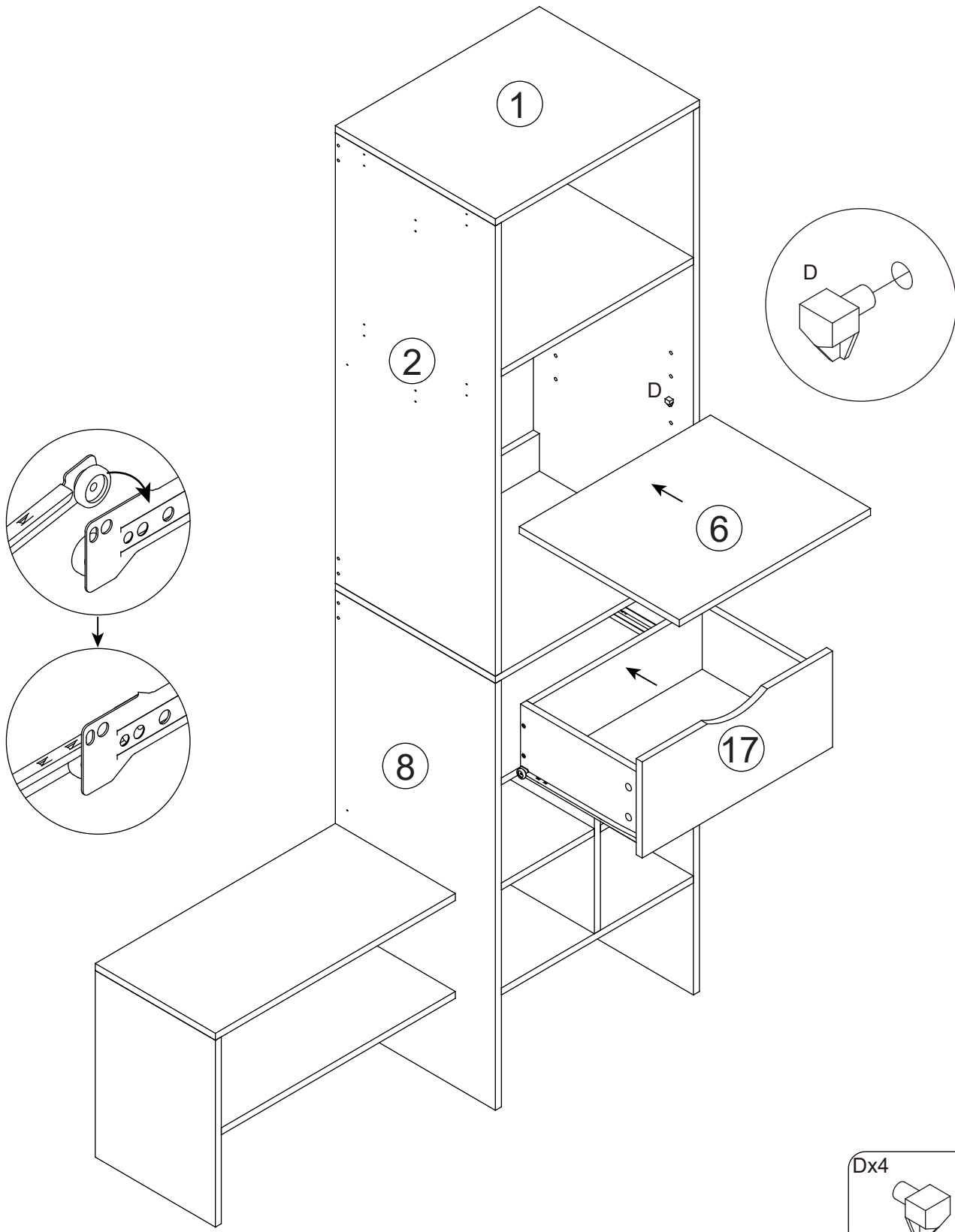
INSTALLATION STEPS

STEP 23



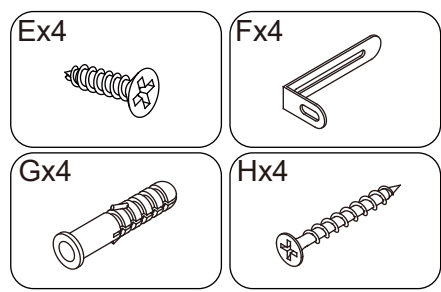
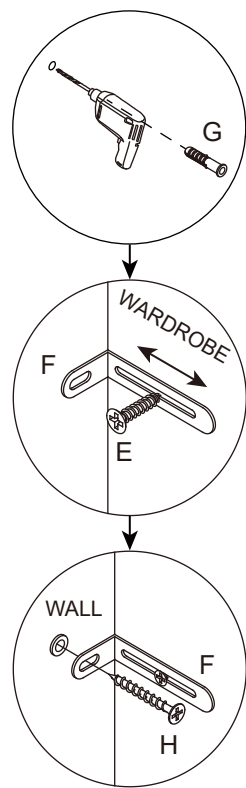
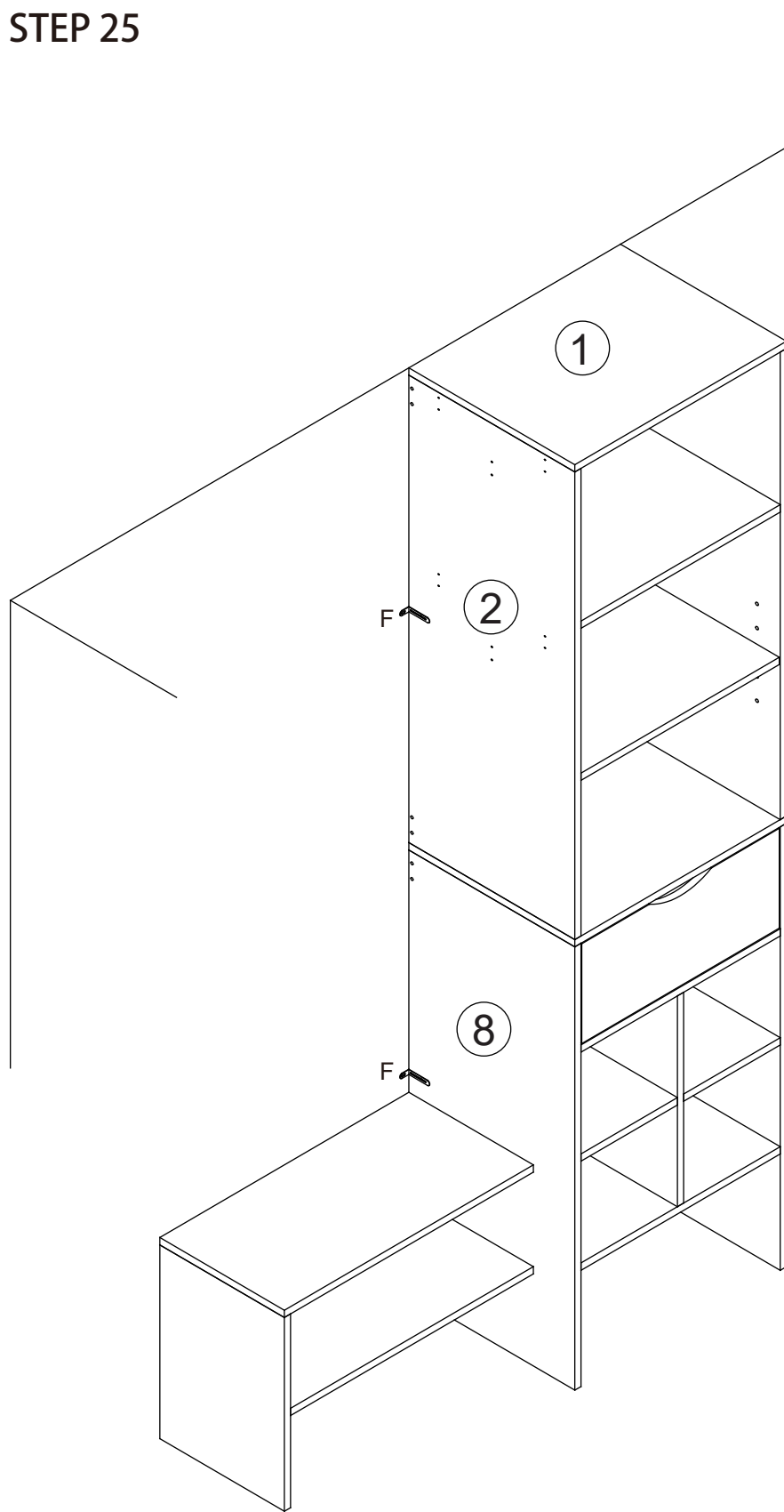
INSTALLATION STEPS

STEP 24



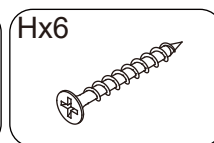
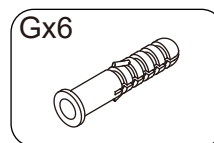
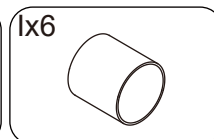
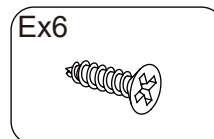
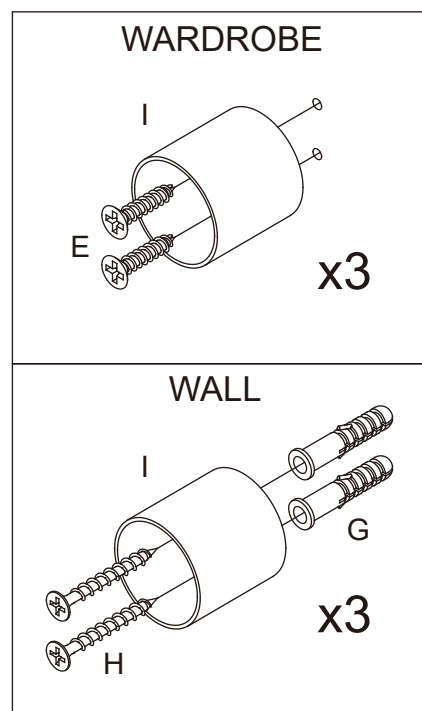
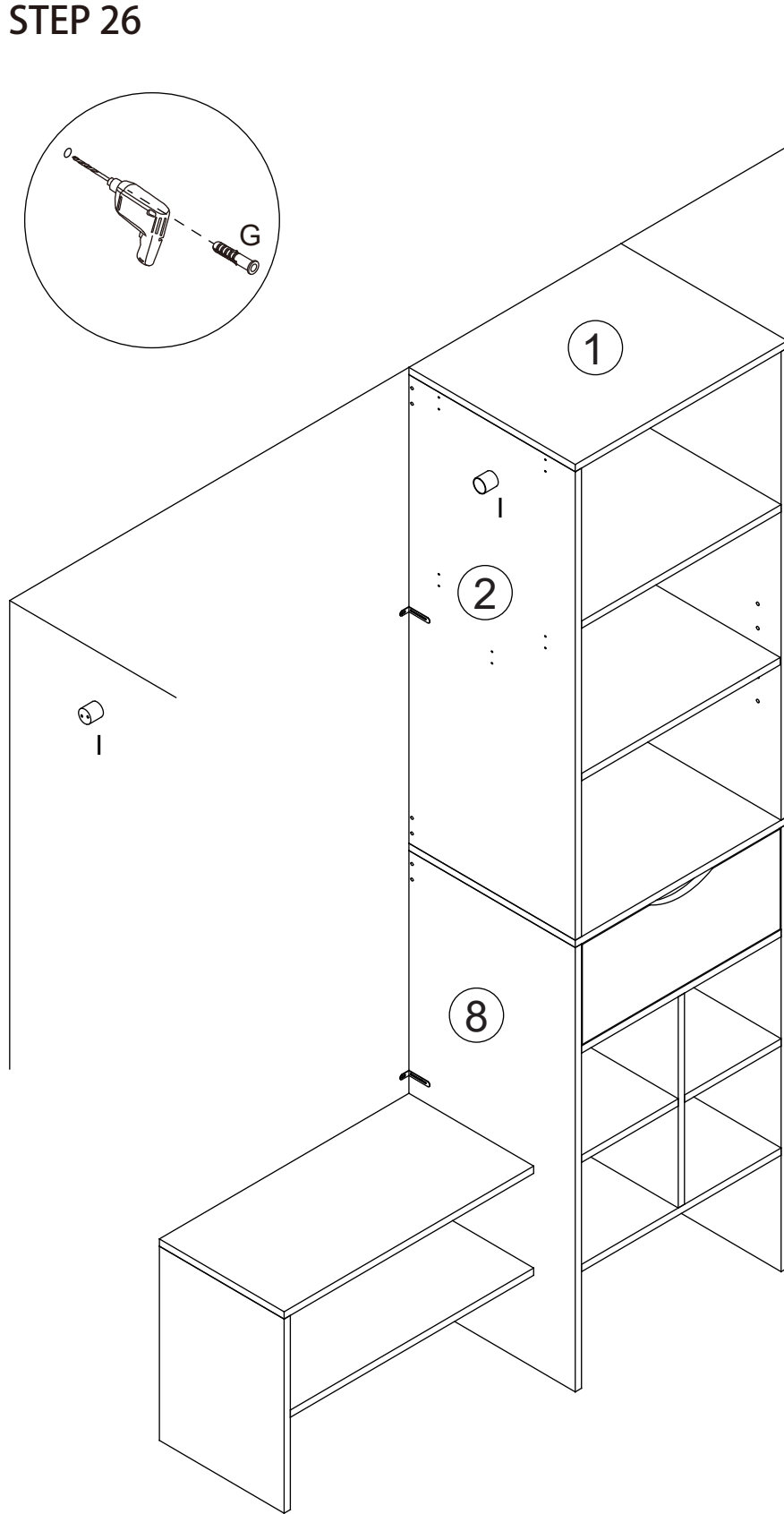
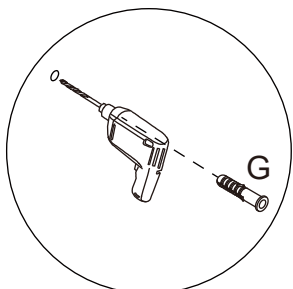
INSTALLATION STEPS

STEP 25



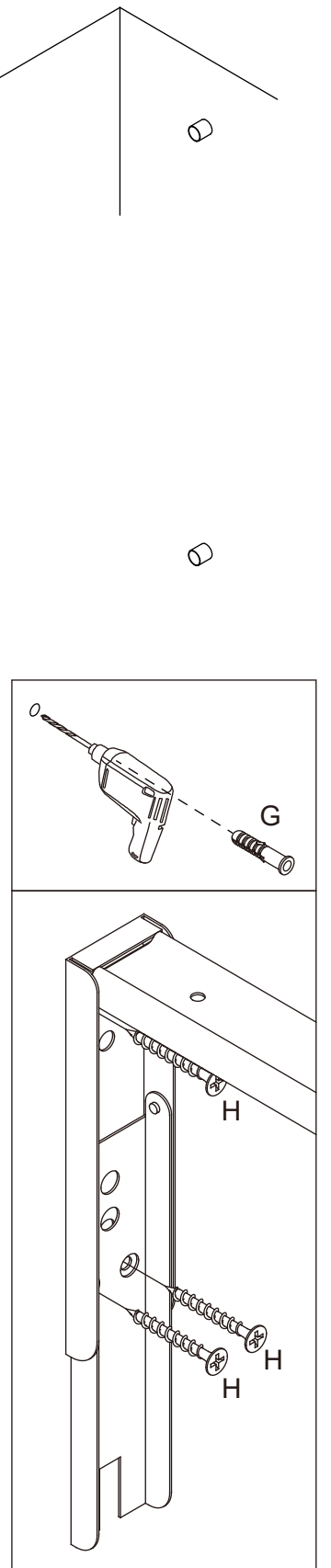
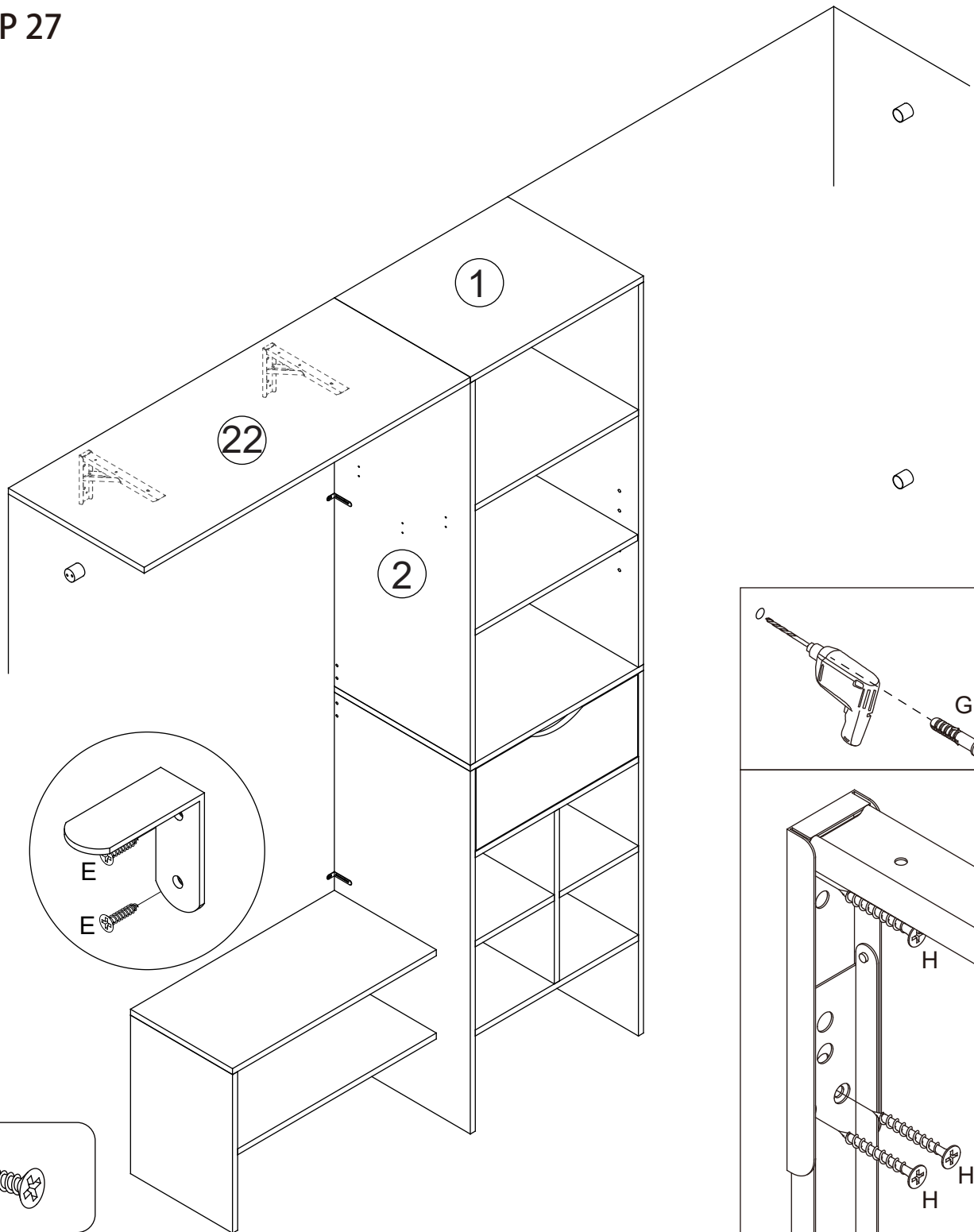
INSTALLATION STEPS

STEP 26

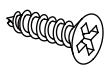


INSTALLATION STEPS

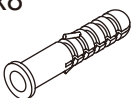
STEP 27



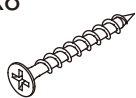
Ex4



Gx8

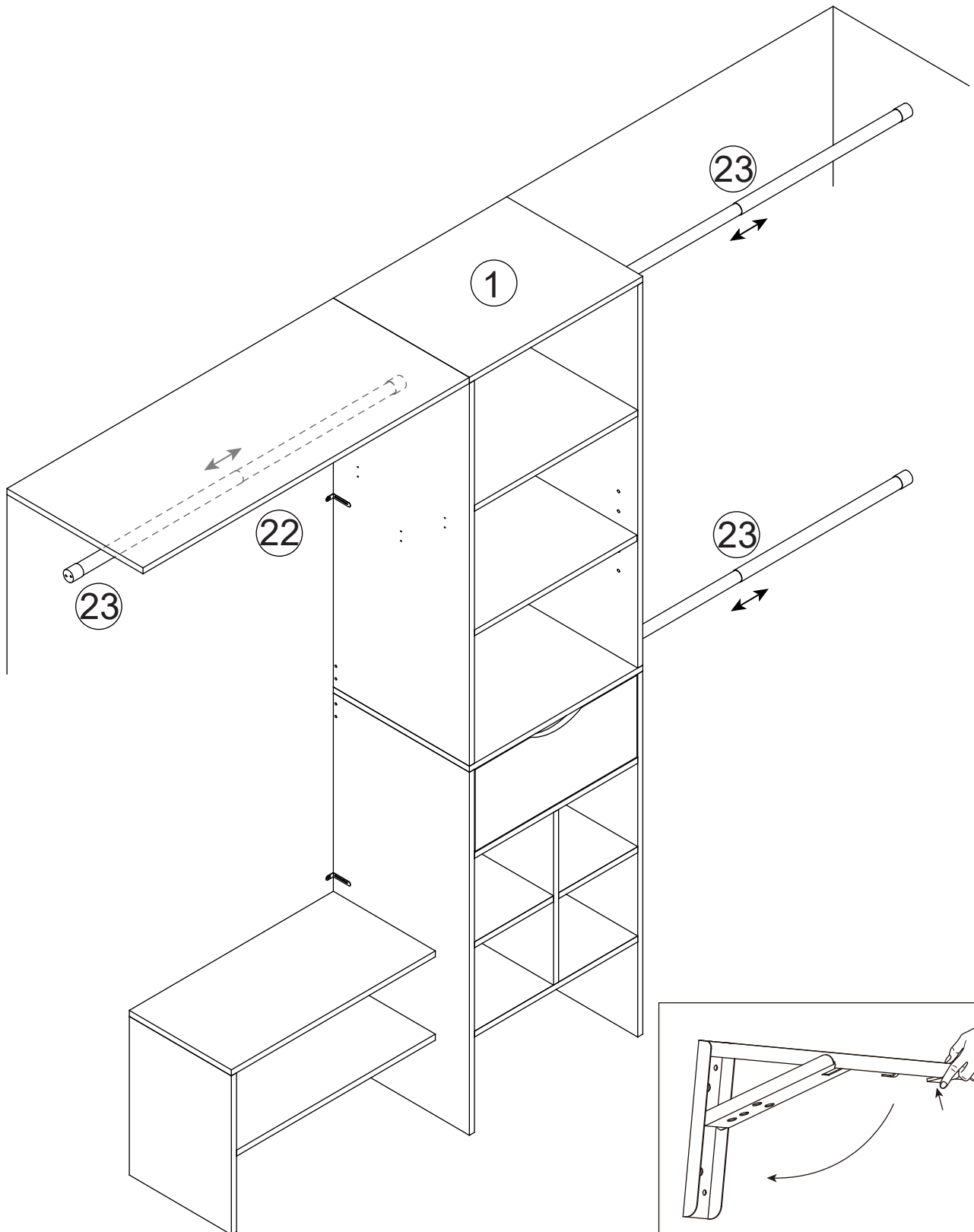


Hx8



INSTALLATION STEPS

STEP 28



INSTALLATION STEPS

STEP 29

