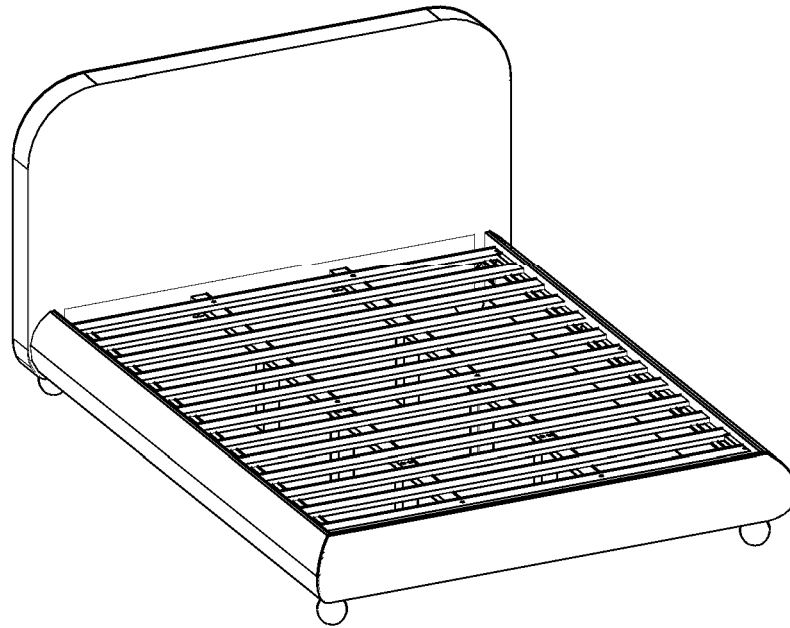








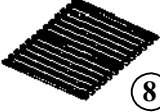


# ASSEMBLY INSTRUCTIONS





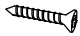
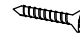


MODEL : BD758-FS



## COMPONENT

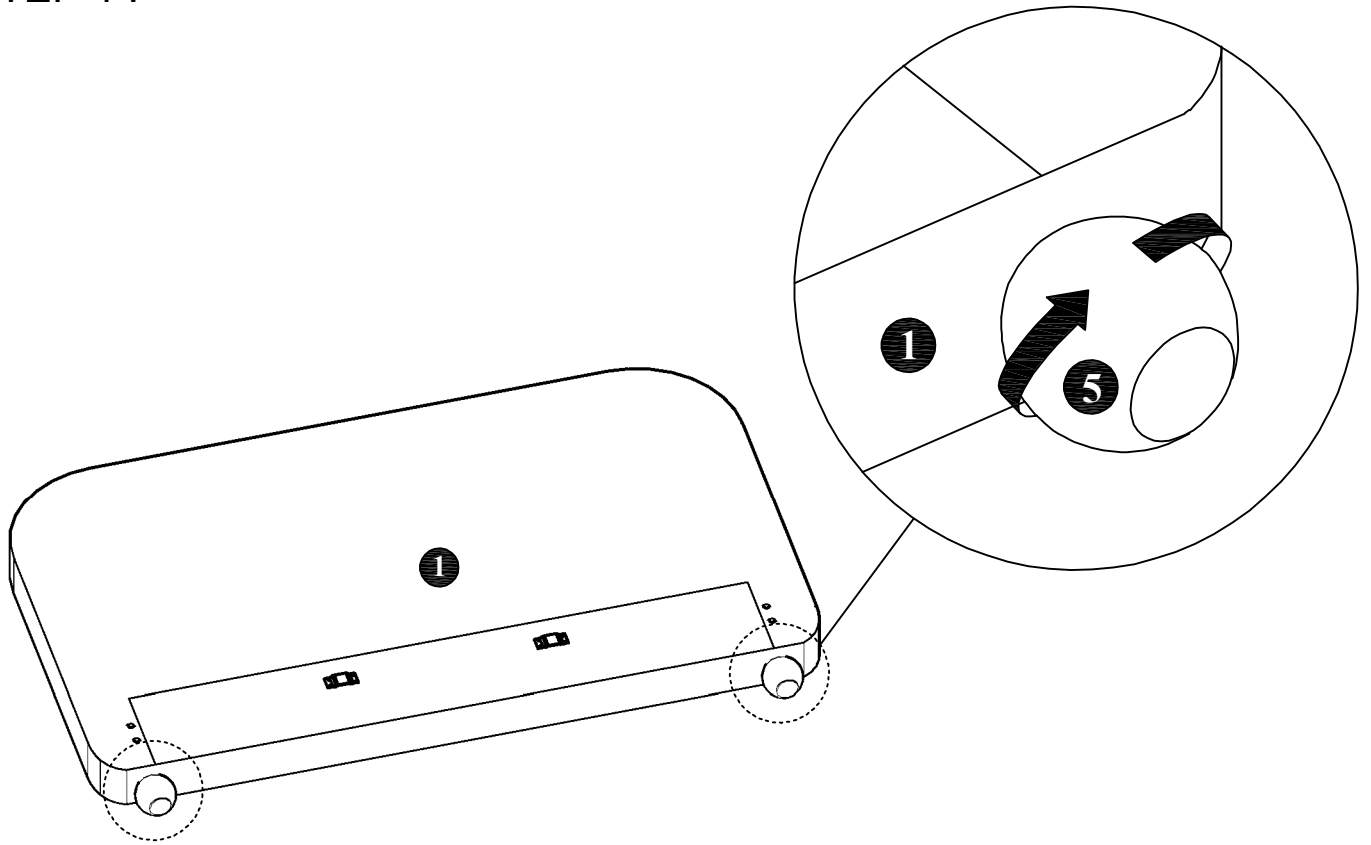
<p>Headboard - 1 pc.</p>  <p>①</p>	<p>Footboard - 1 pc.</p>  <p>②</p>	<p>Side Rail (Left) - 1 pc.</p>  <p>③L</p>	<p>Side Rail (Right) - 1 pc.</p>  <p>③R</p>	<p>Metal Plate - 2 pcs.</p>  <p>④</p>	<p>Bed Leg - 4 pcs.</p>  <p>⑤</p>	<p>Center Rail - 2 pcs.</p>  <p>⑥</p>	<p>Center Leg - 6 pcs.</p>  <p>⑦</p>
<p>Slats - 13 pcs.(1set)</p>  <p>⑧</p>							

## HARDWARE

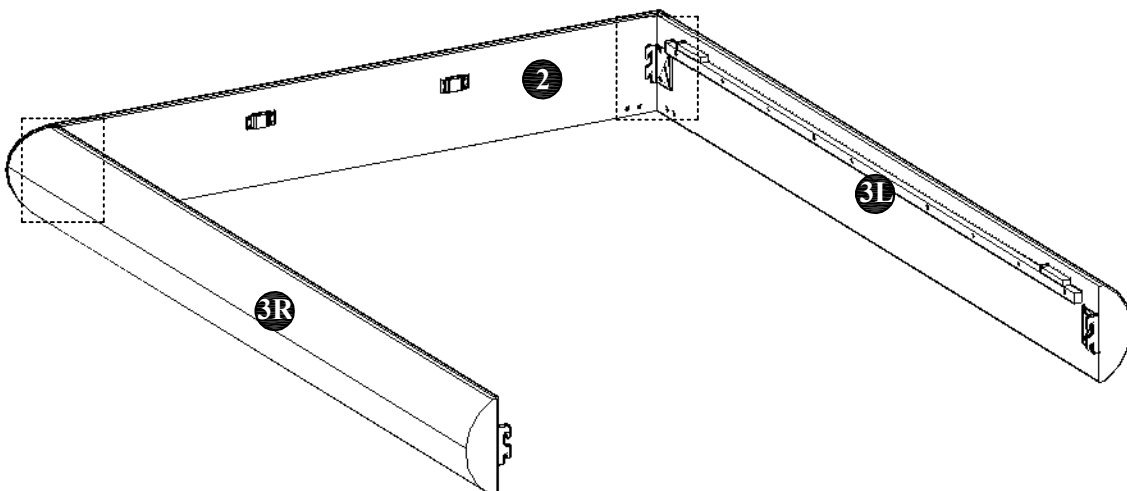
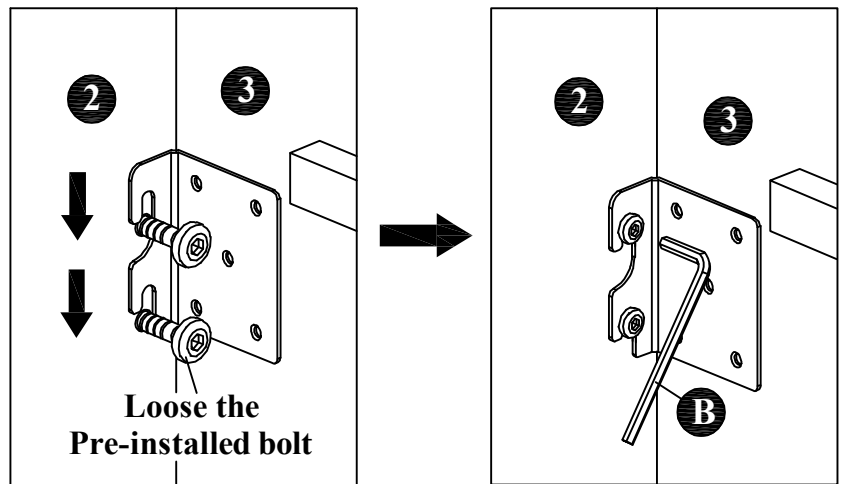
<p>Allen Key M4 - 1 pc.</p>  <p>Ⓐ</p>	<p>Allen Key M5 - 1 pc.</p>  <p>Ⓑ</p>	<p>JCBC Bolt M6 x 20mm (Black) - 8 pcs.</p>  <p>Ⓒ</p>	<p>JCBC Bolt M6 x 40mm - 12 pcs.</p>  <p>Ⓓ</p>	<p>Wood Screw M4 x 20mm - 4 pcs.</p>  <p>Ⓔ</p>	<p>Wood Screw M4 x 25mm - 12 pcs.</p>  <p>Ⓕ</p>	<p>M8 Hex Nut (Black)- 2 pcs.</p>  <p>Ⓖ</p>	<p>Spanner (12.8mm) - 1 pc.</p>  <p>Ⓗ</p>
---	--	--	---	---	--	--	--

# ASSEMBLY INSTRUCTIONS

STEP 1 :

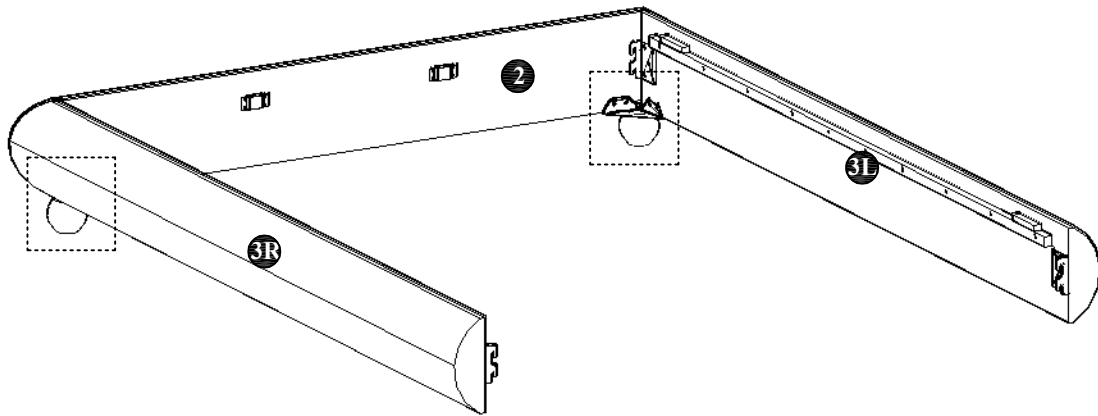
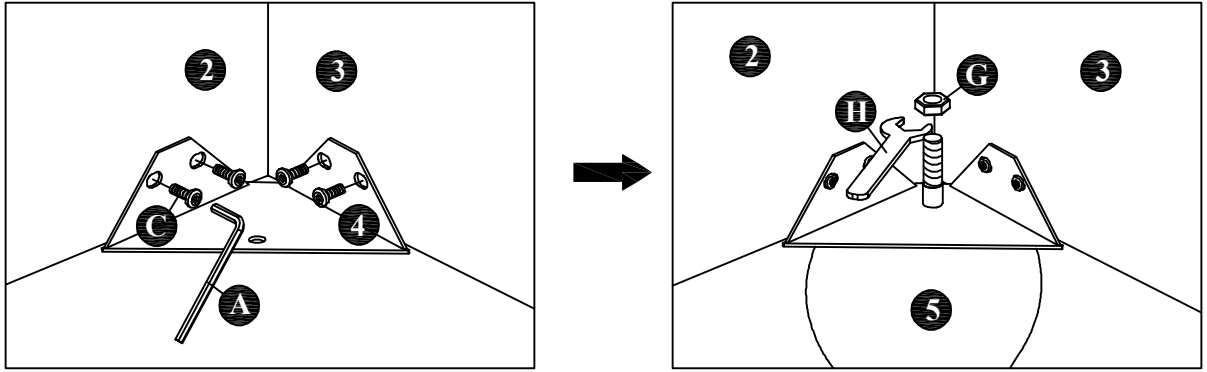


STEP 2 :

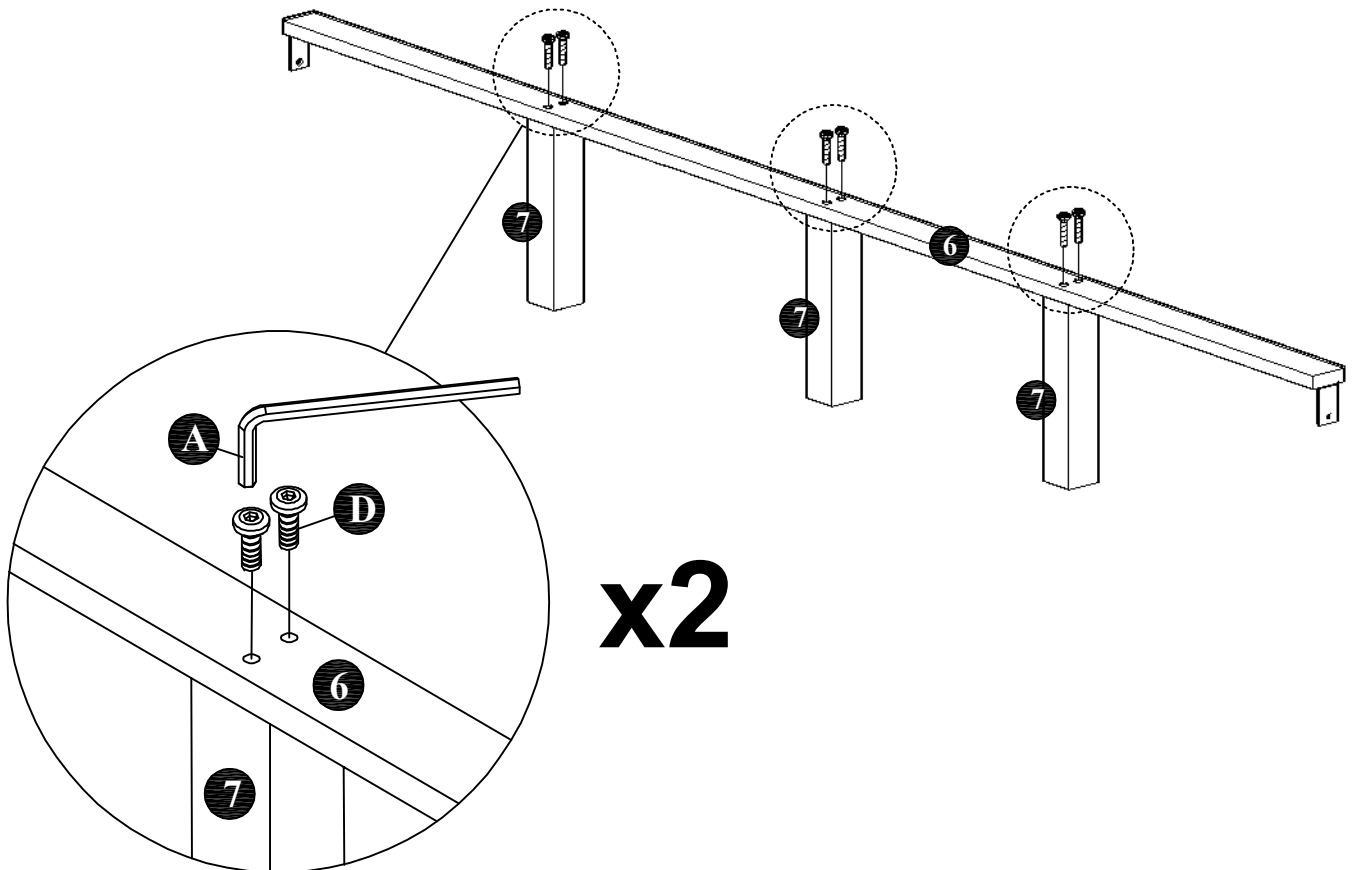


# ASSEMBLY INSTRUCTIONS

STEP 3 :

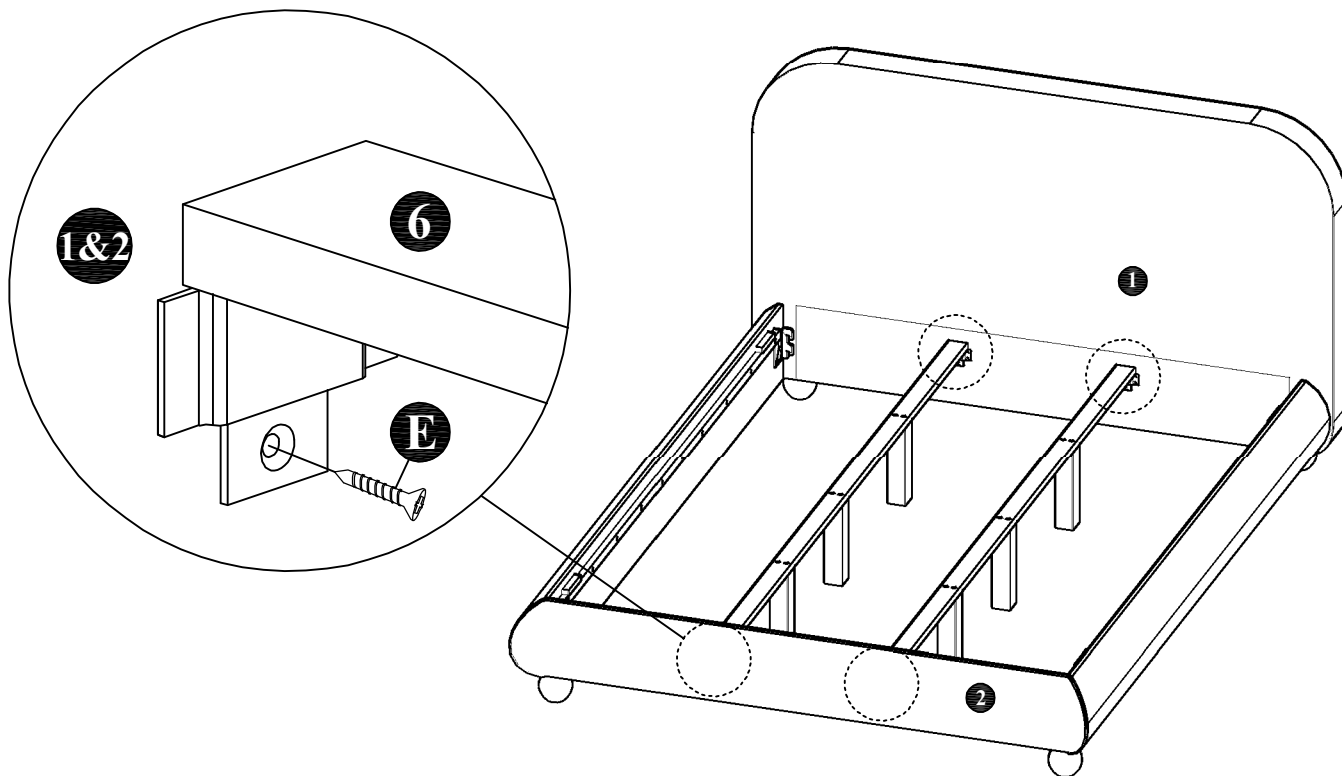


STEP 4 :

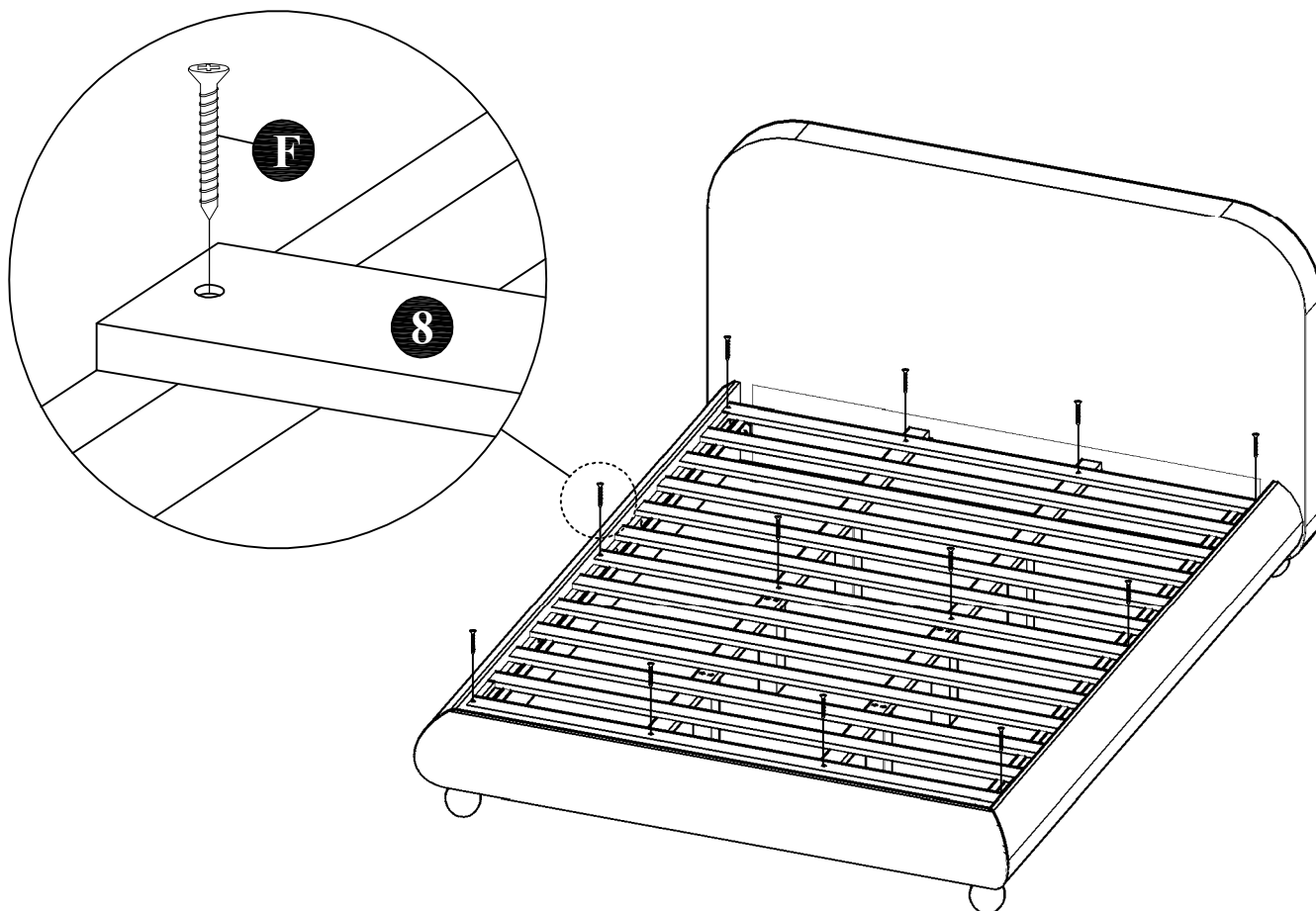


# ASSEMBLY INSTRUCTIONS

STEP 5 :



STEP 6 :



# ASSEMBLY INSTRUCTIONS

## **COMPLETE VIEW**

**\*IMPORTANT\***

Please lift up the bed to move  
with 2 or more people.

**DO NOT DRAG THE BED!**

