

## NOTICE

\*Please make sure that you have all parts indicated and they are in good condition before you begin assembly of this item. Refer to part list and hardware list below for guidance.

\*This item should be assembled on a soft surface to prevent scratching the finish during assembly.

\*This item may require periodic tightening.

\*If you are having difficulty, our friendly Customer Care team is always here to help. Please email [customersupport@safavieh.com](mailto:customersupport@safavieh.com).

## PREPARATION

\* Before beginning assembly of product, make sure all parts are present. Compare parts with part contents list and hardware contents list.

\* If any part is missing or damaged, do not attempt to assemble the product.






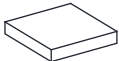

\* Estimated Assembly Time: 10 minutes.

\* Tools Required for Assembly (included): Allen Key

## CARE AND MAINTENANCE

Store outdoor furniture indoors or cover well when not in use. Dust regularly with small brush or vacuum. Spills should be taken care of immediately before they harden or stain with a slightly damp sponge.

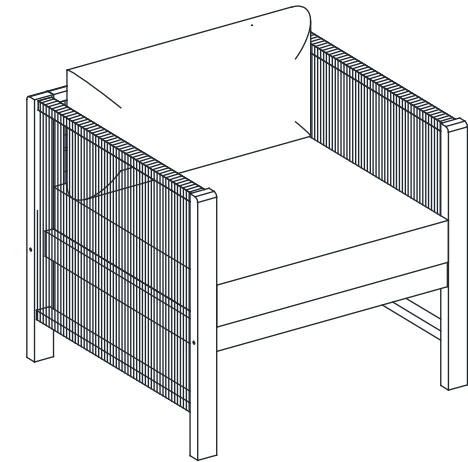
### Part List and Hardware List

PIECE	DESCRIPTION	PICTURE	QUANTITY
A	Right Leg Panel		1X
B	Left Leg Panel		1X
C	Seat frame		1X
D	Back Frame		1X
E	Support Bar		1X
CSH1	Seat Cushion		1X
CSH2	Back Cushion		1X

 **SAFAVIEH**  
O U T D O O R

Model# PAT7095




Product Dimensions: 27.95" W x 25.98" D x 25" H



**Weight Capacity : 220 lbs**

**Warning : Do not stand on chair**

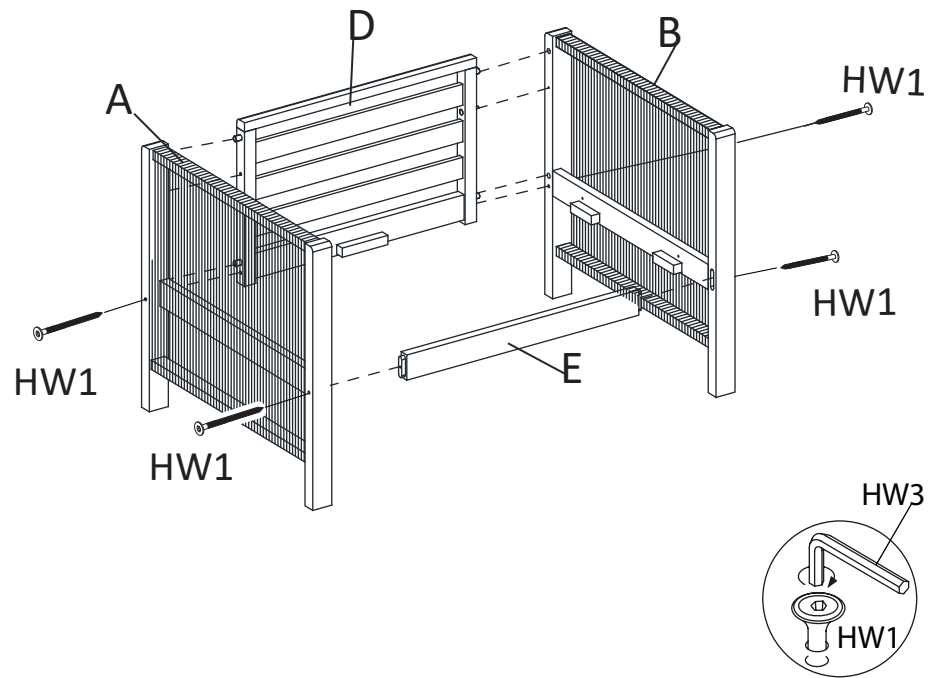
**Warning : Do not over torque bolts / screws**

PIECE	DESCRIPTION	PICTURE	QUANTITY
HW1	Screw: M6 x0.5 x80 mm		4X
HW2	Screw: M6 x0.5 x45mm		6X
HW3	Allen key 4		1X

# PREPARATION

- \*Before beginning assembly of product, make sure all parts are present. Compare parts with package contents list and hardware contents list.
- \*If any part is missing or damaged, do not attempt to assemble the product.
- \* Estimated Assembly Time : 10 minutes.
- \* Tools Required for Assembly (included): Allen Key
- \* If you are having difficulty, our friendly Customer care team is always here to help. Please email [customersupport@safavieh.com](mailto:customersupport@safavieh.com)

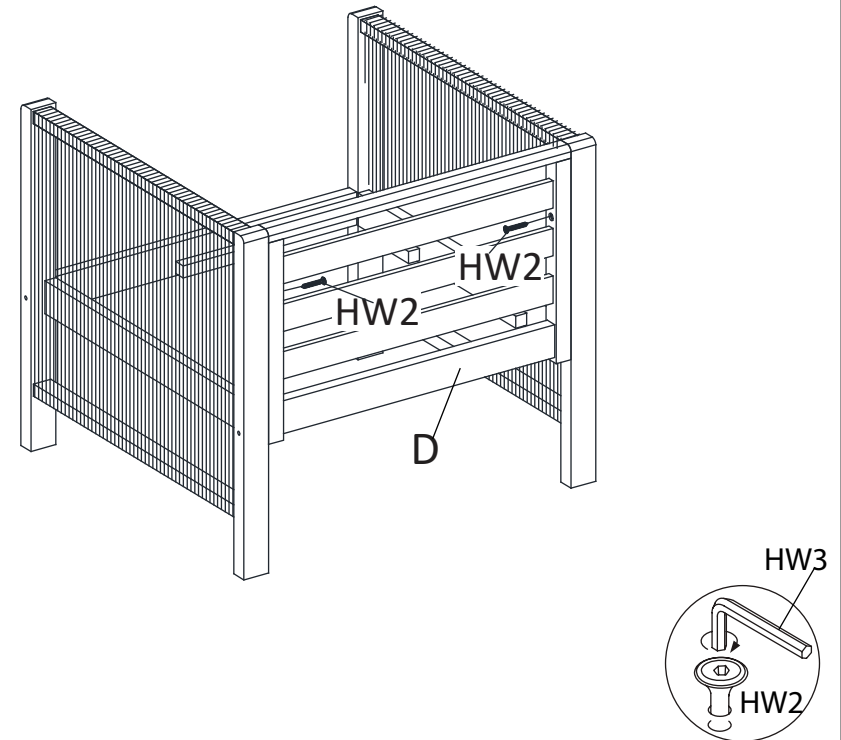
1



Step 1

Attach Left leg Panel(B) and Right Leg panel(A)to back frame (D) and Support bar(E), use screws (HW1), tightenwith allen key (HW3).

2



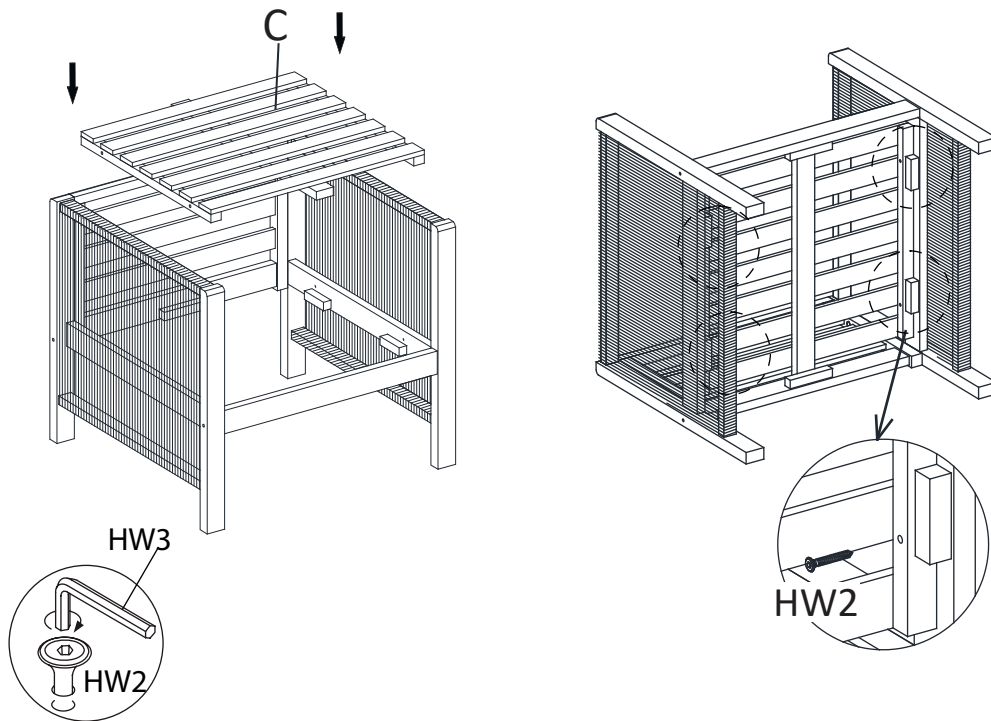
Step 2

Tighten screw (HW2) with allen key (HW3) to attach back frame(C).  
Complete.

# PREPARATION

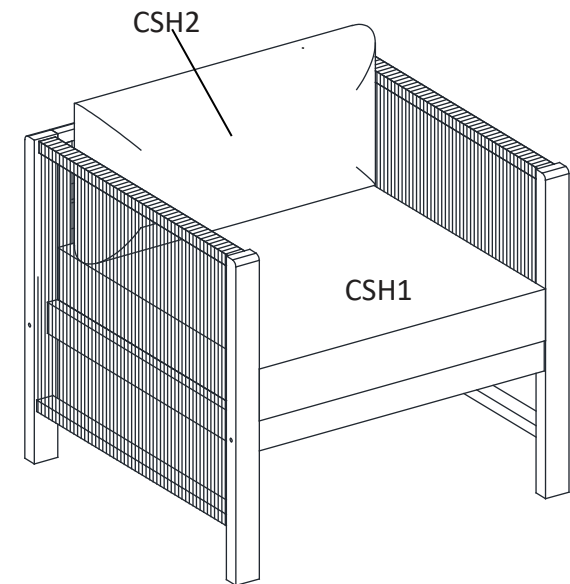
- \*Before beginning assembly of product, make sure all parts are present. Compare parts with package contents list and hardware contents list.
- \*If any part is missing or damaged, do not attempt to assemble the product.
- \* Estimated Assembly Time : 10 minutes.
- \* Tools Required for Assembly (included): Allen Key
- \* If you are having difficulty, our friendly Customer care team is always here to help. Please email [customersupport@safavieh.com](mailto:customersupport@safavieh.com)

3



Attach the Seat Panel (C) into the Chair as shown in picture above.  
Affix the Seat Panel (C) to the Chair using Screws(HW2) and the Allen (HW3).  
Note: Insert the Screws(HW2) from the inside to the outside of the Seat Panel(C)

4



Step 4

Put Seat Cushion (CSH1) and Back Cushion (CSH2) on the Chair.  
The Chair is ready to be used