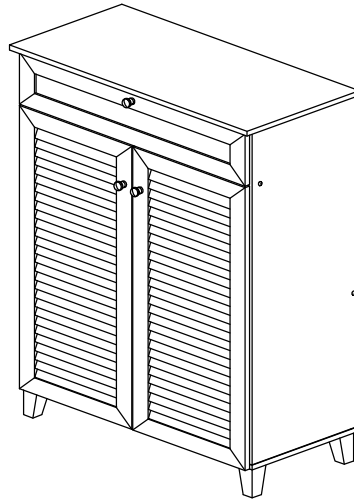
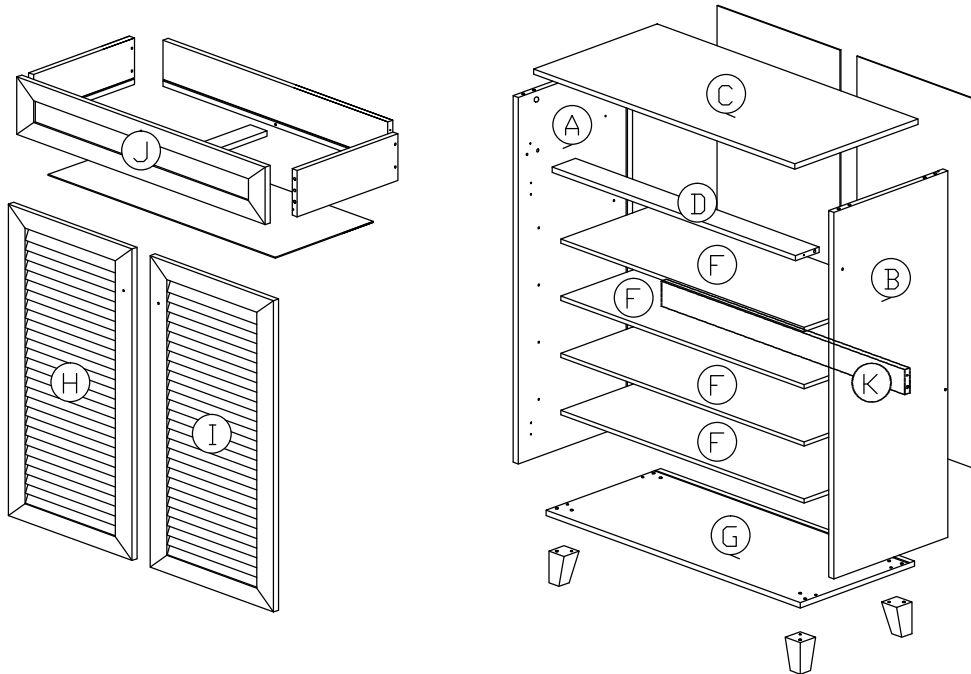


Assembly Instruction



Part List



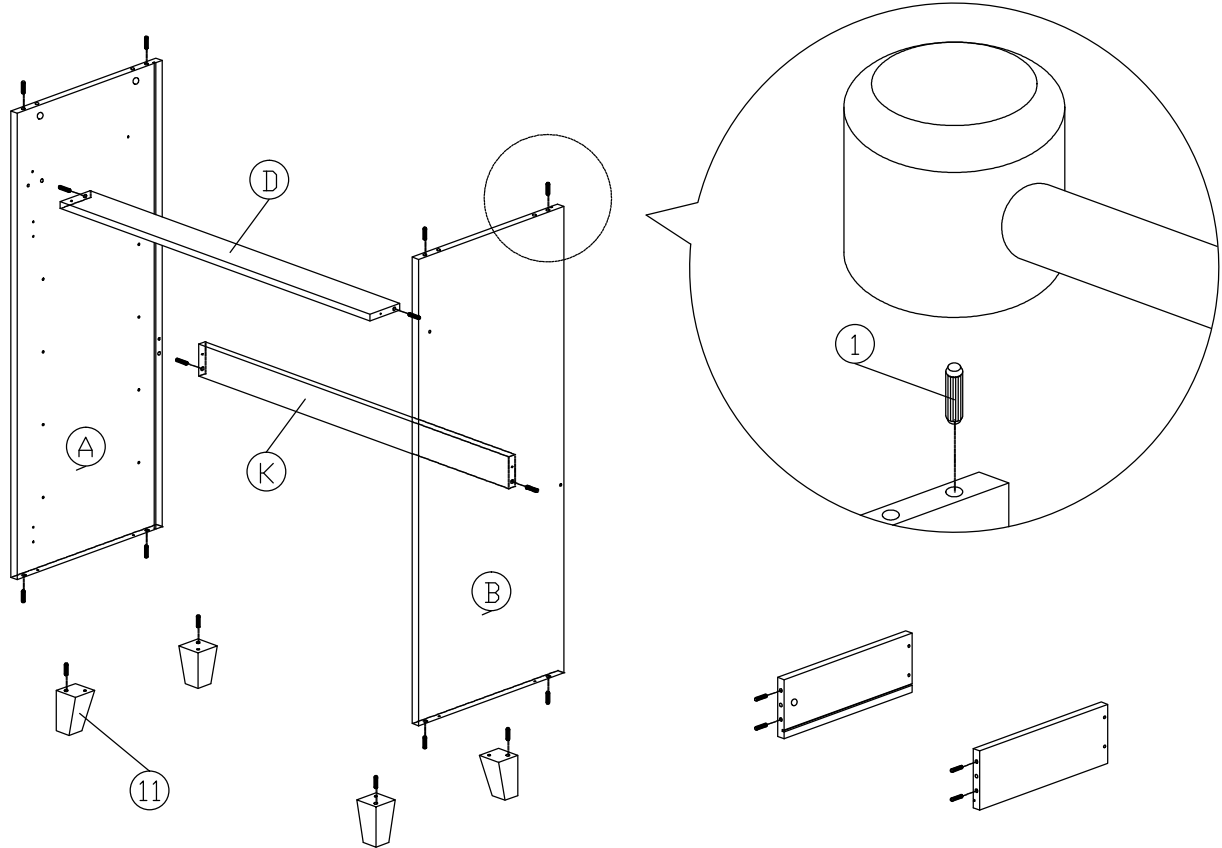
Hardware List

No.	SHAPE	DESCRIPTION	Qty.
1		8x25mm Wood Dowel	20Pcs
2		15MM Titus Mini Fix	7Sets
3		M5x8mm Screw (Euro Screw)	4Pcs
4		TP 10#x1/2" Screw	16Pcs
5		M3.5x15mm Screw	4Pcs
6		M3x16mm Screw	8Pcs
7		M4x38mm Screw	13Pcs
8		M7x40mm Screw	4Pcs
9		Shelf Support	16Pcs

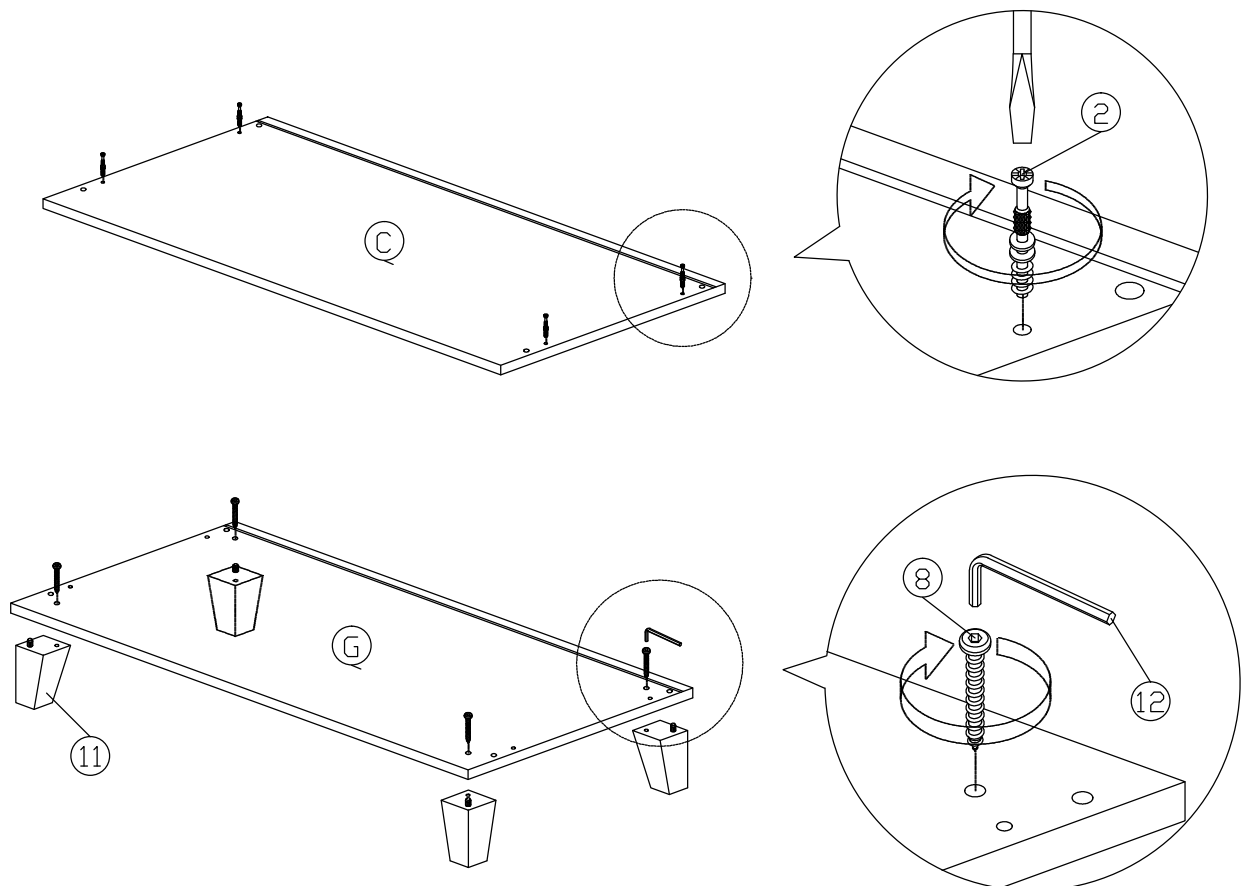
10		Handle (9988) M4x25mm (Handle Screw)	3Sets
11		Wooden Leg	4Pcs
12		L Key	1Pc
13		Z Bracket	4Pcs
14		Hinges (F012)	4Sets
15		Drawer Slide = 300mm	1Set
16		15mm Minifix Cap	2Pcs
17		Screw Cap	4Pcs

Assembly Instruction

Step 1

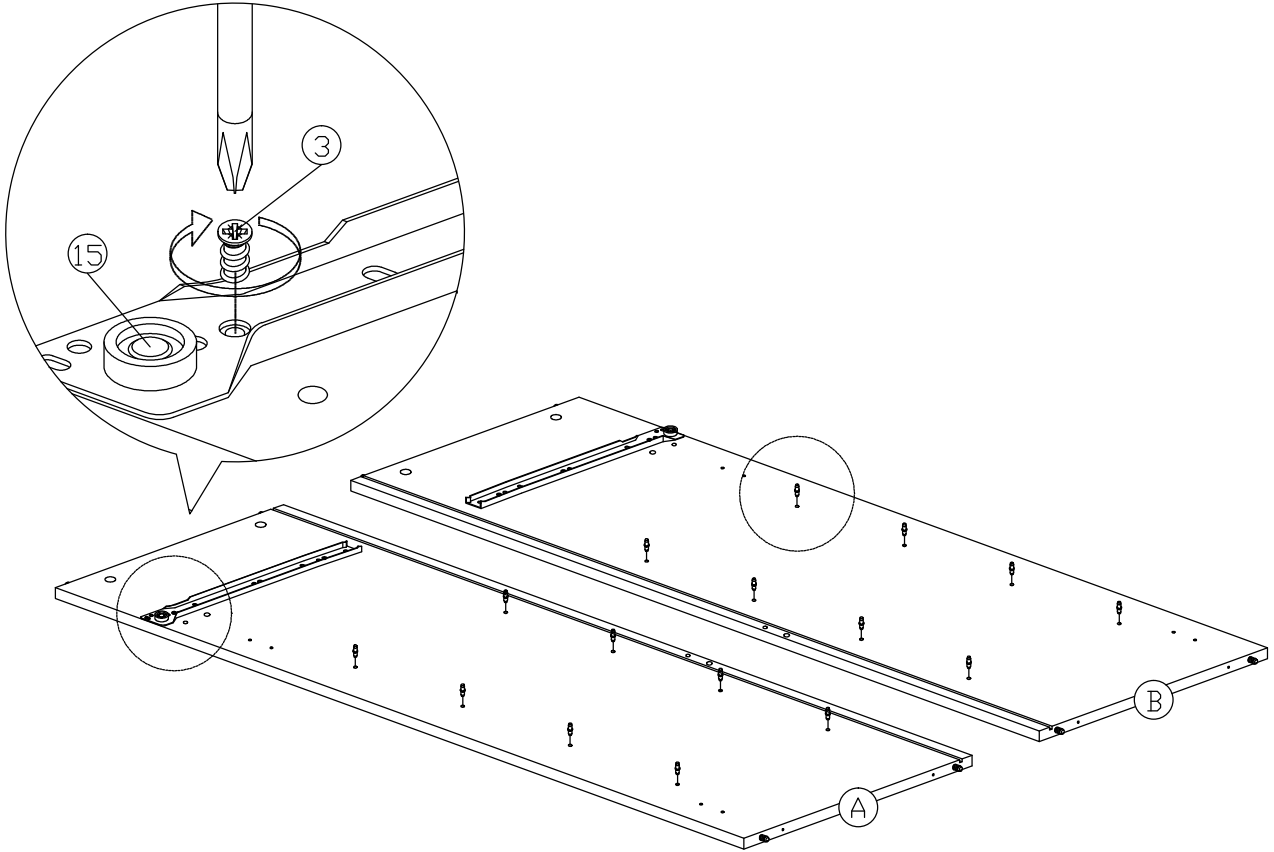


Step 2

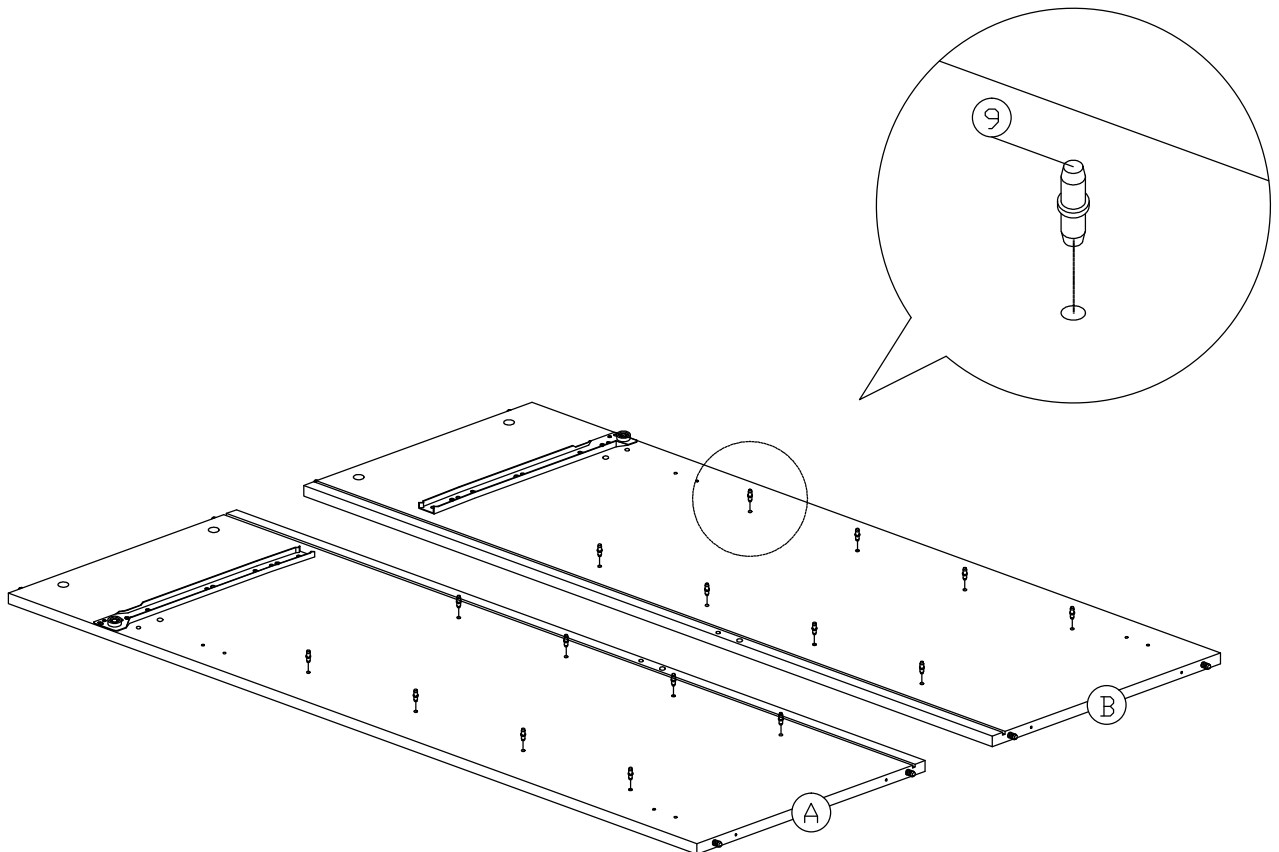


Assembly Instruction

Step 3

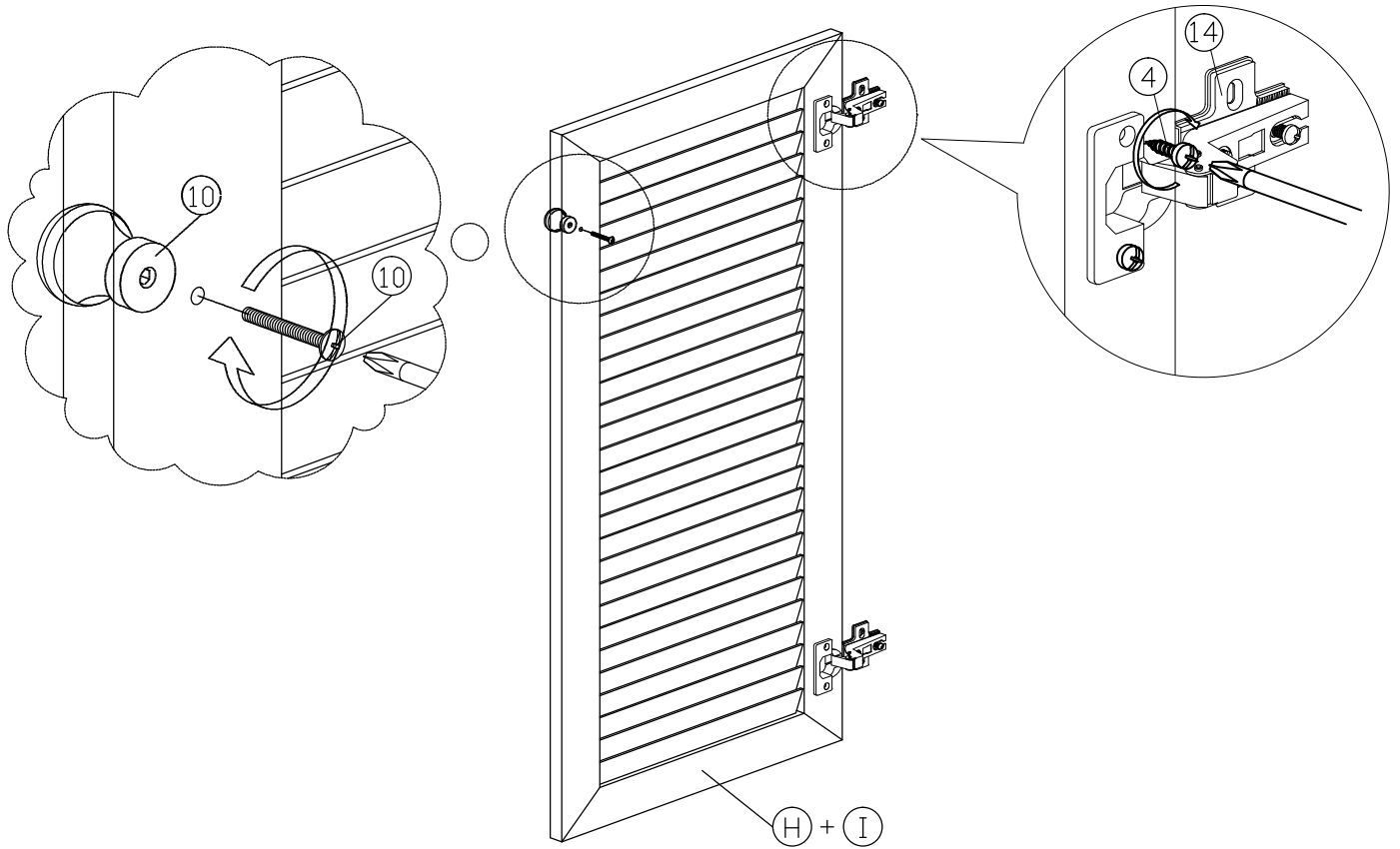


Step 4

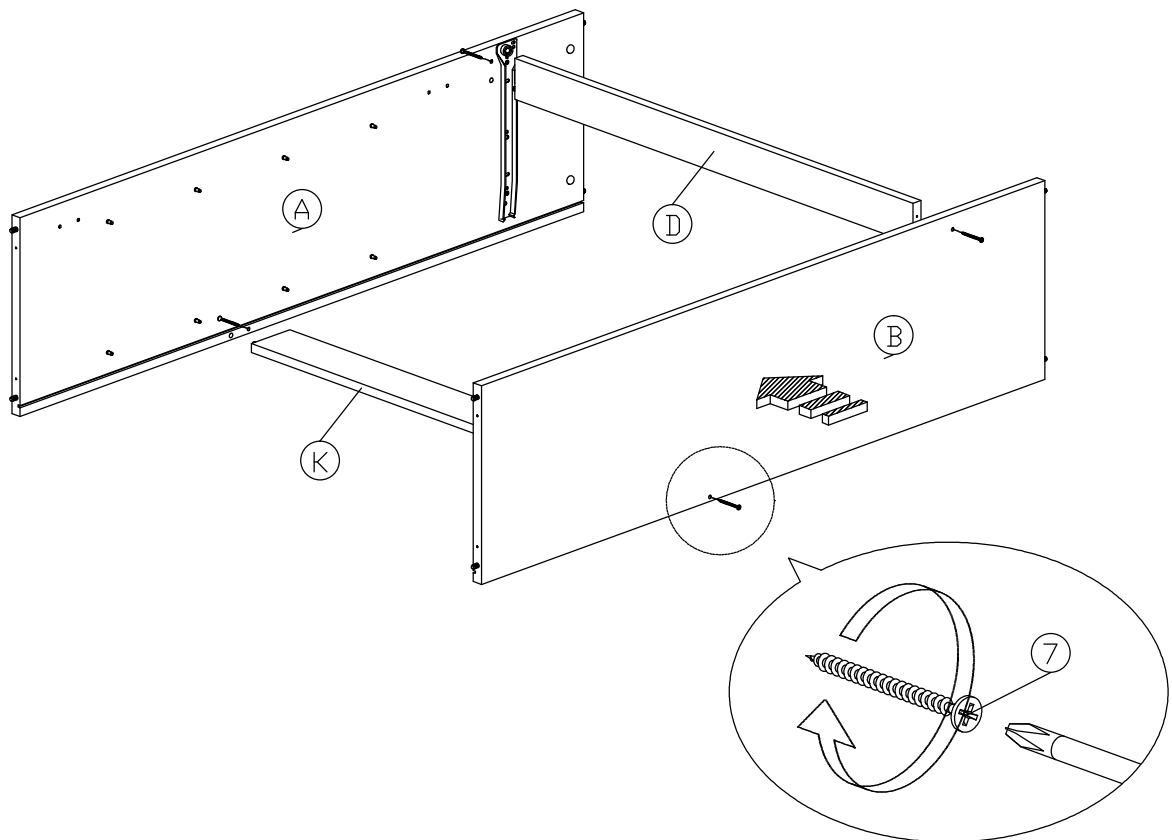


Assembly Instruction

Step 5

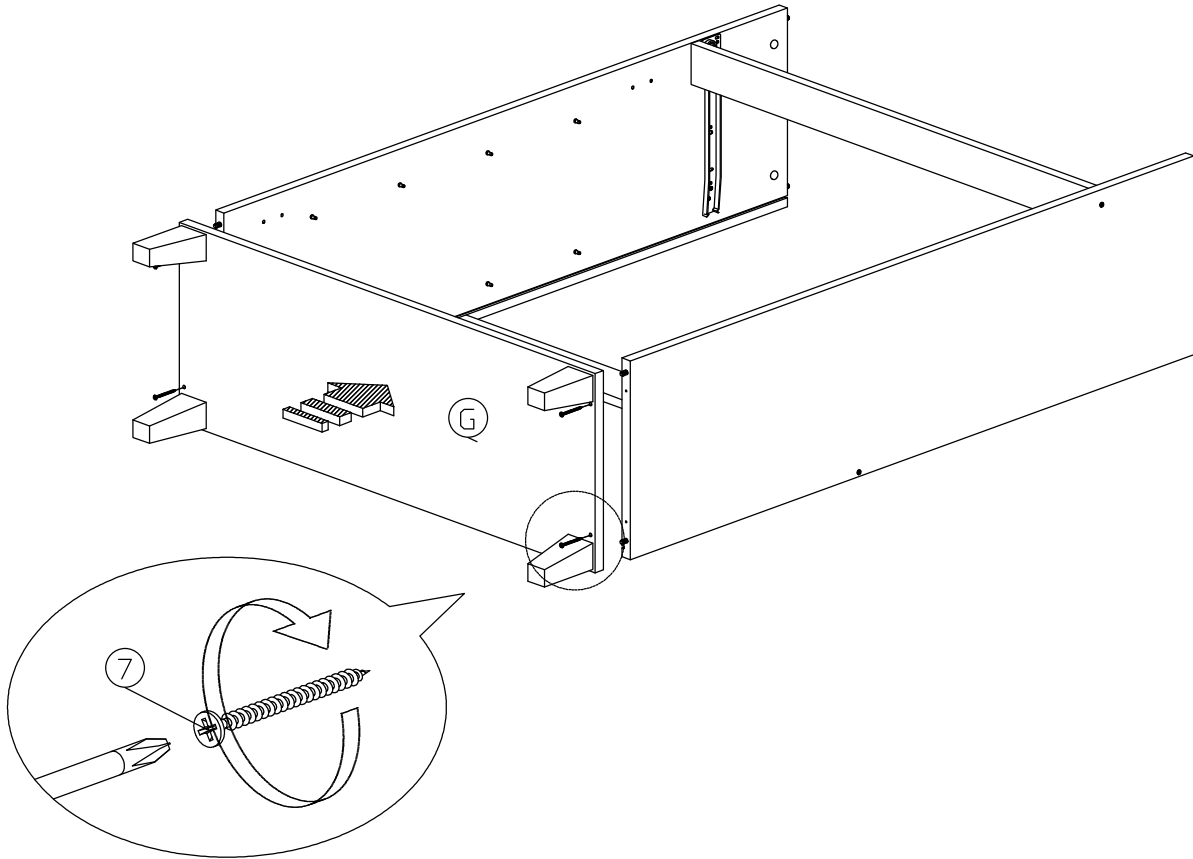


Step 6

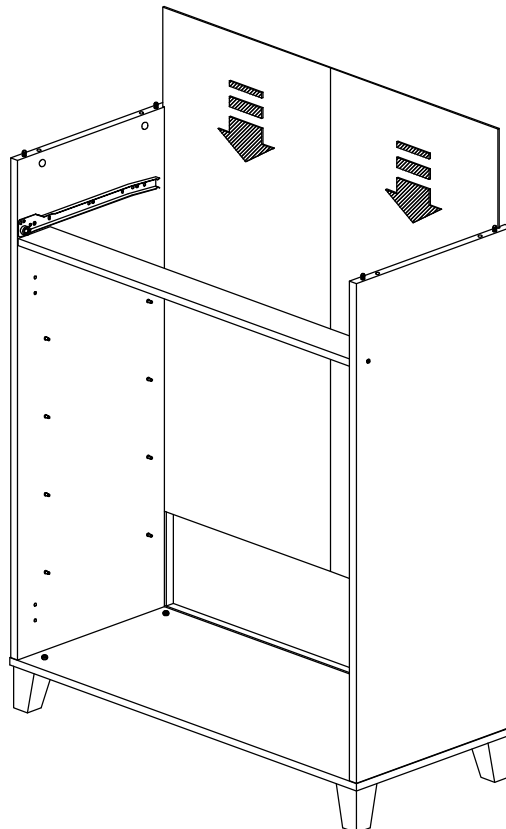


Assembly Instruction

Step 7

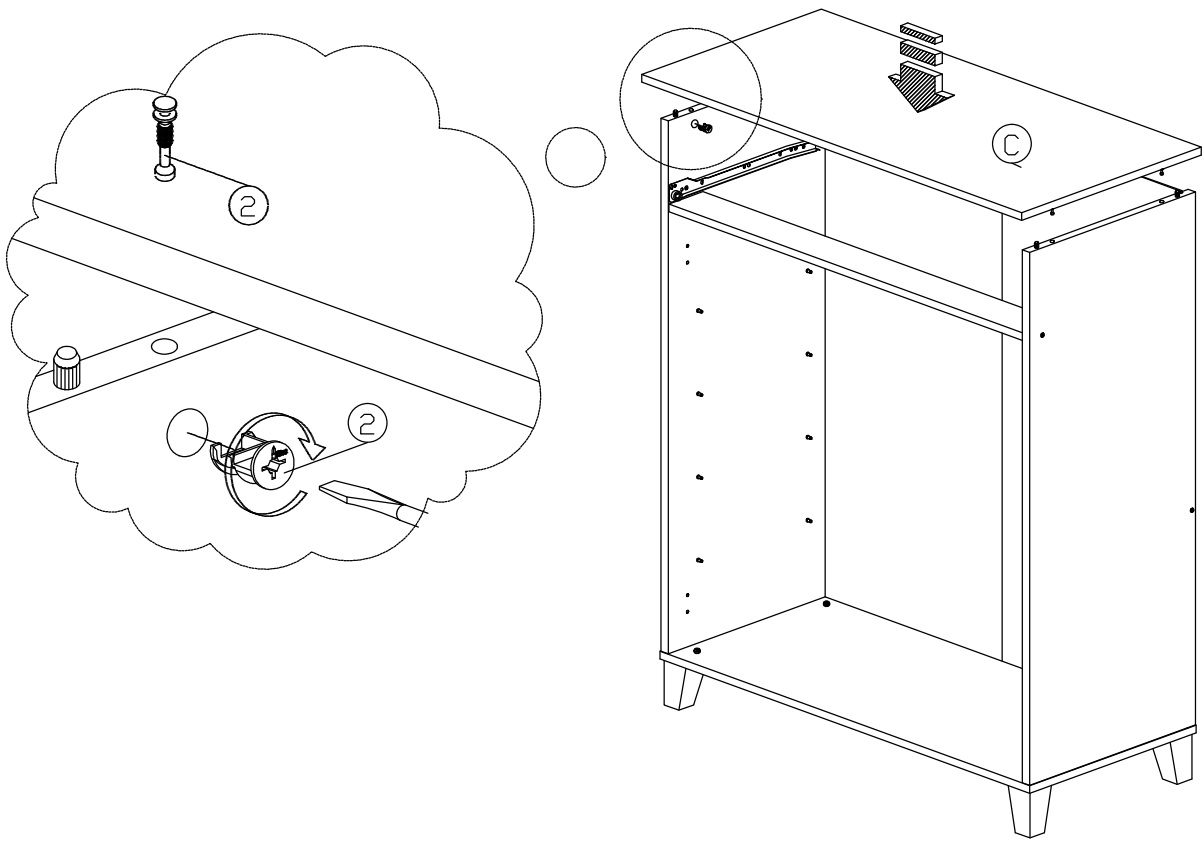


Step 8

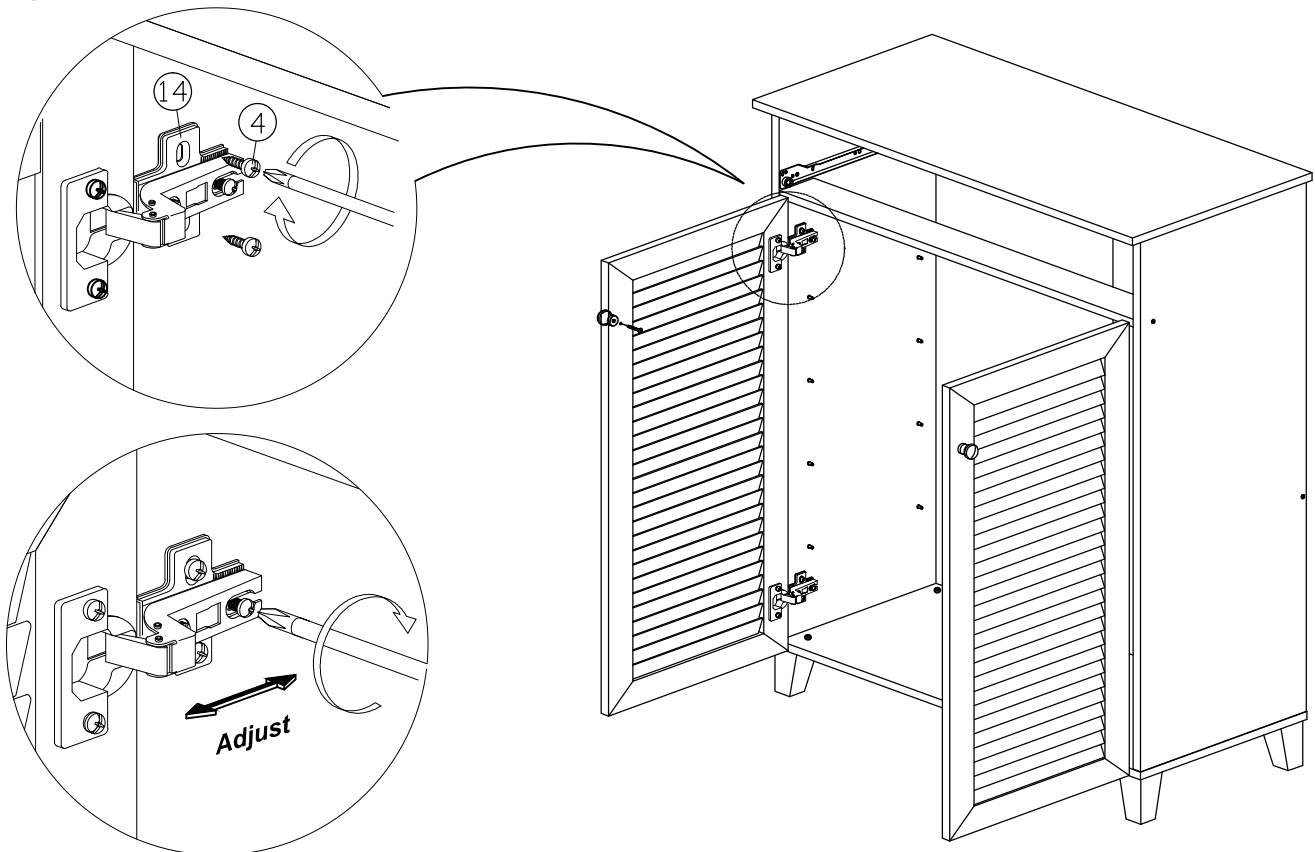


Assembly Instruction

Step 9

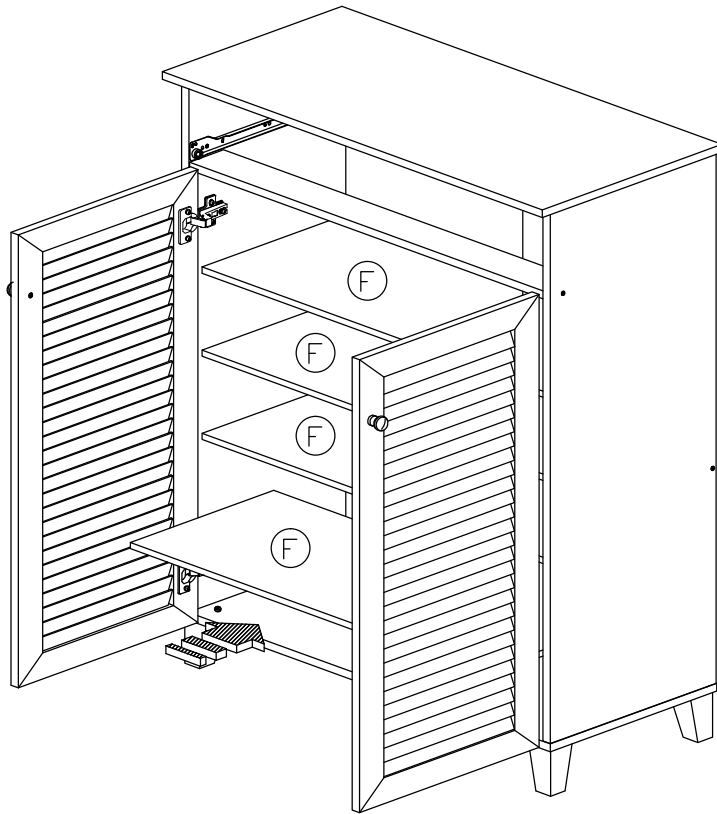


Step 10

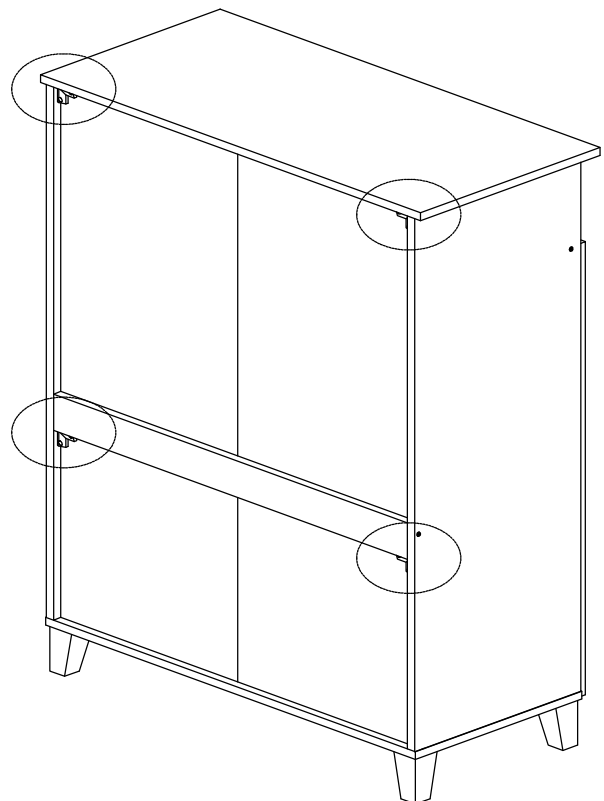
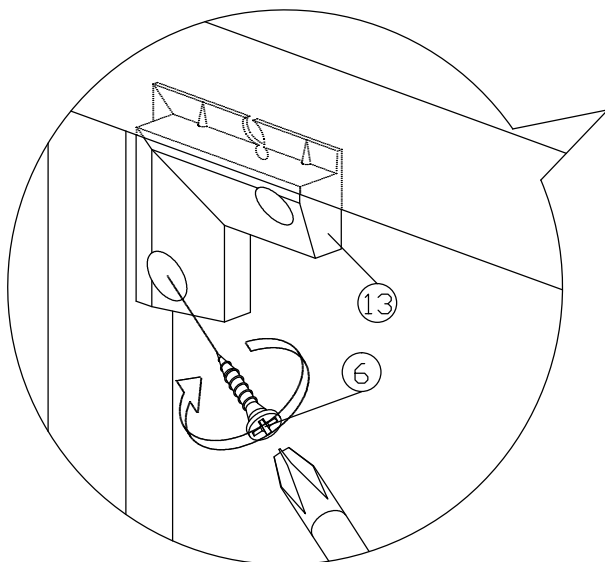


Assembly Instruction

Step 11

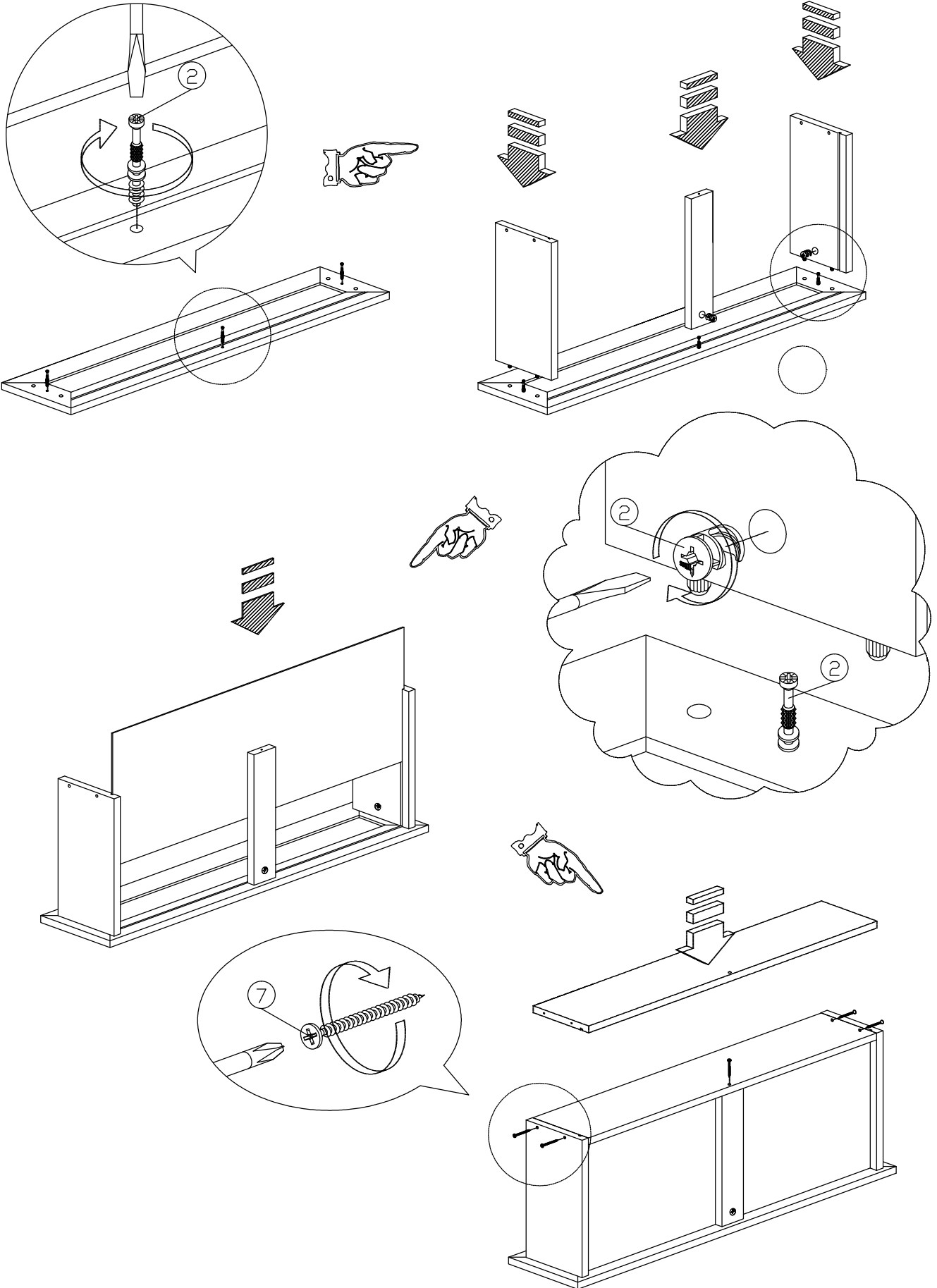


Step 12



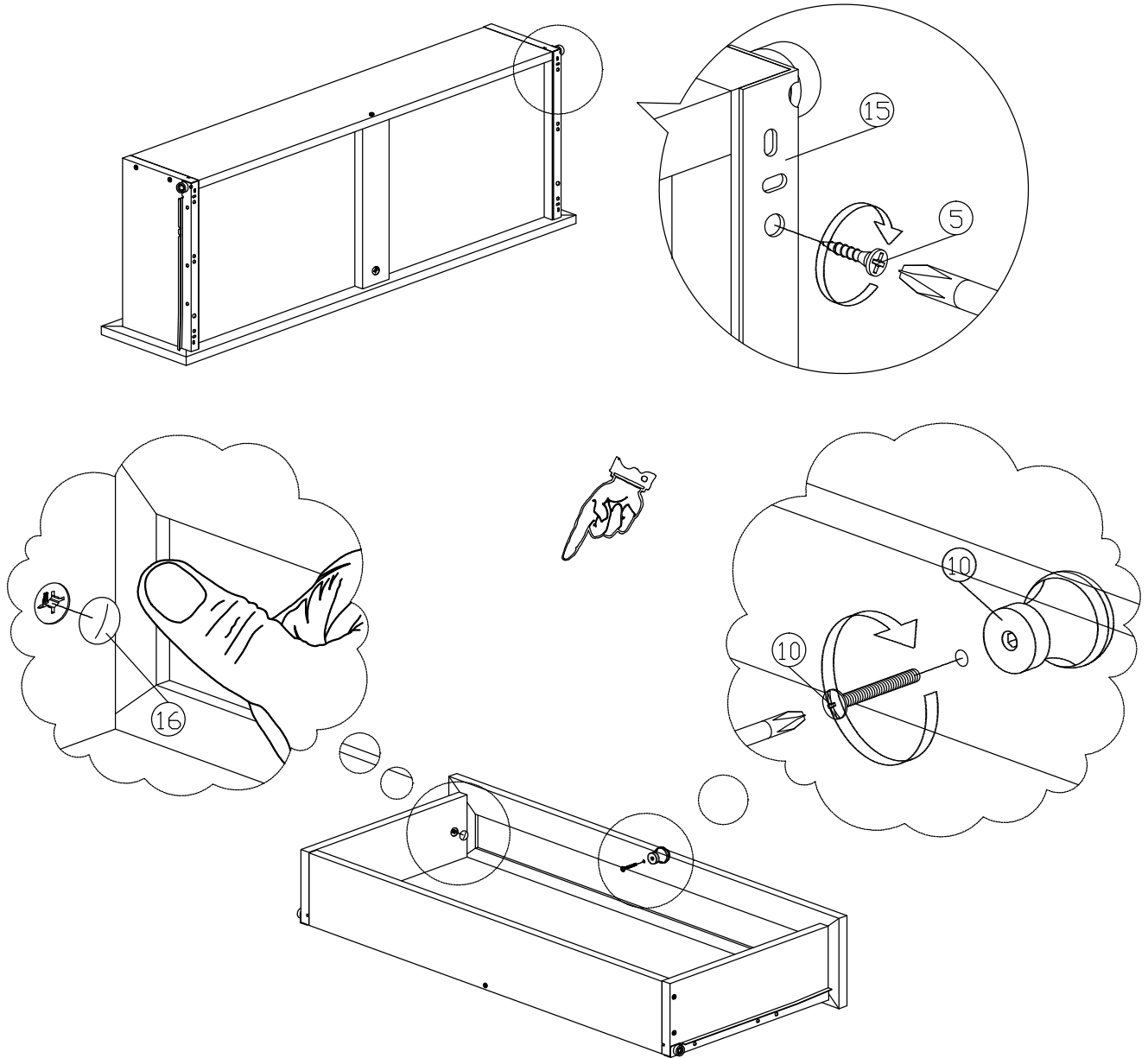
Assembly Instruction

Step 13



Assembly Instruction

Step 14



Step 15

