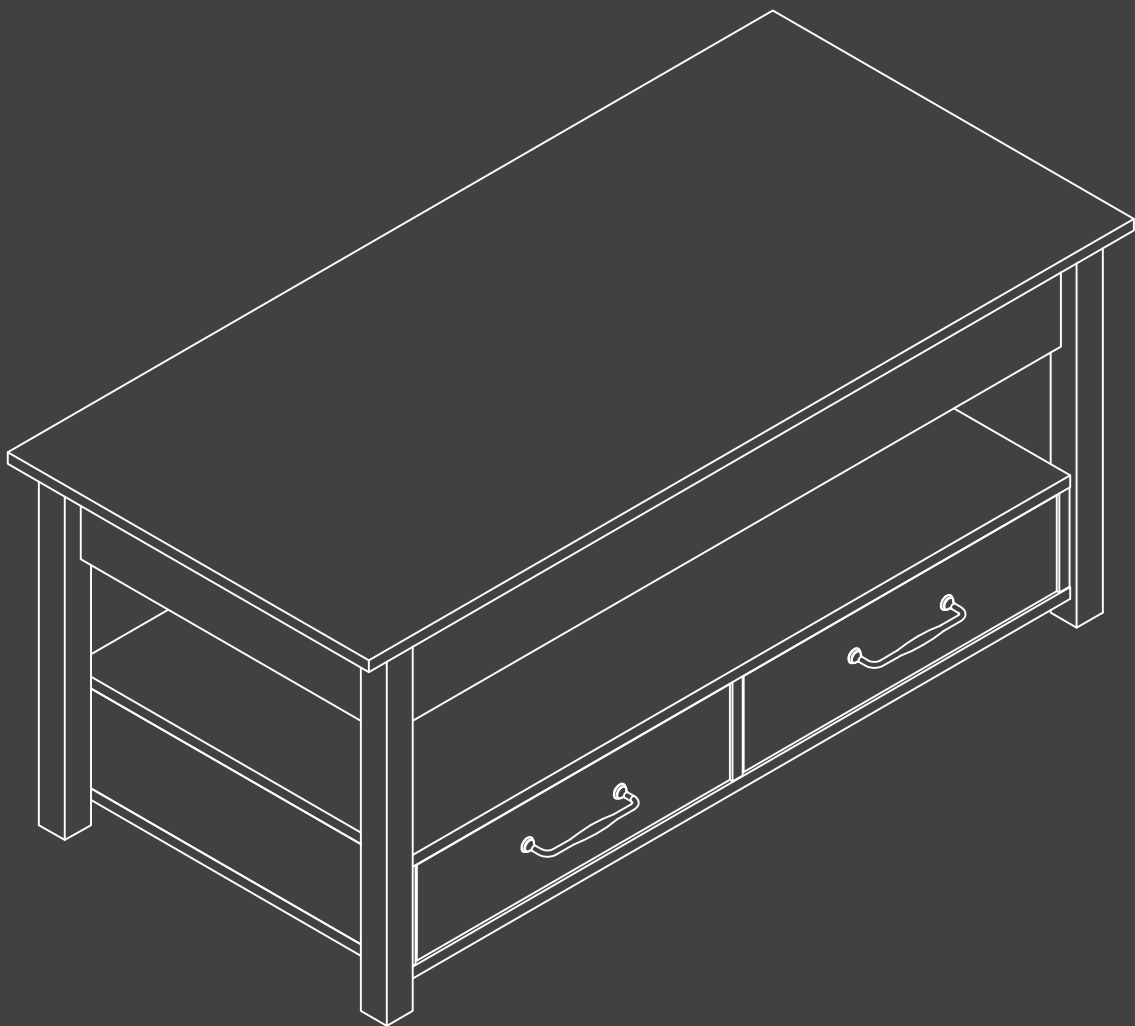


LIFT COFFEE TABLE WITH 2 DRAWER

Instruction manual

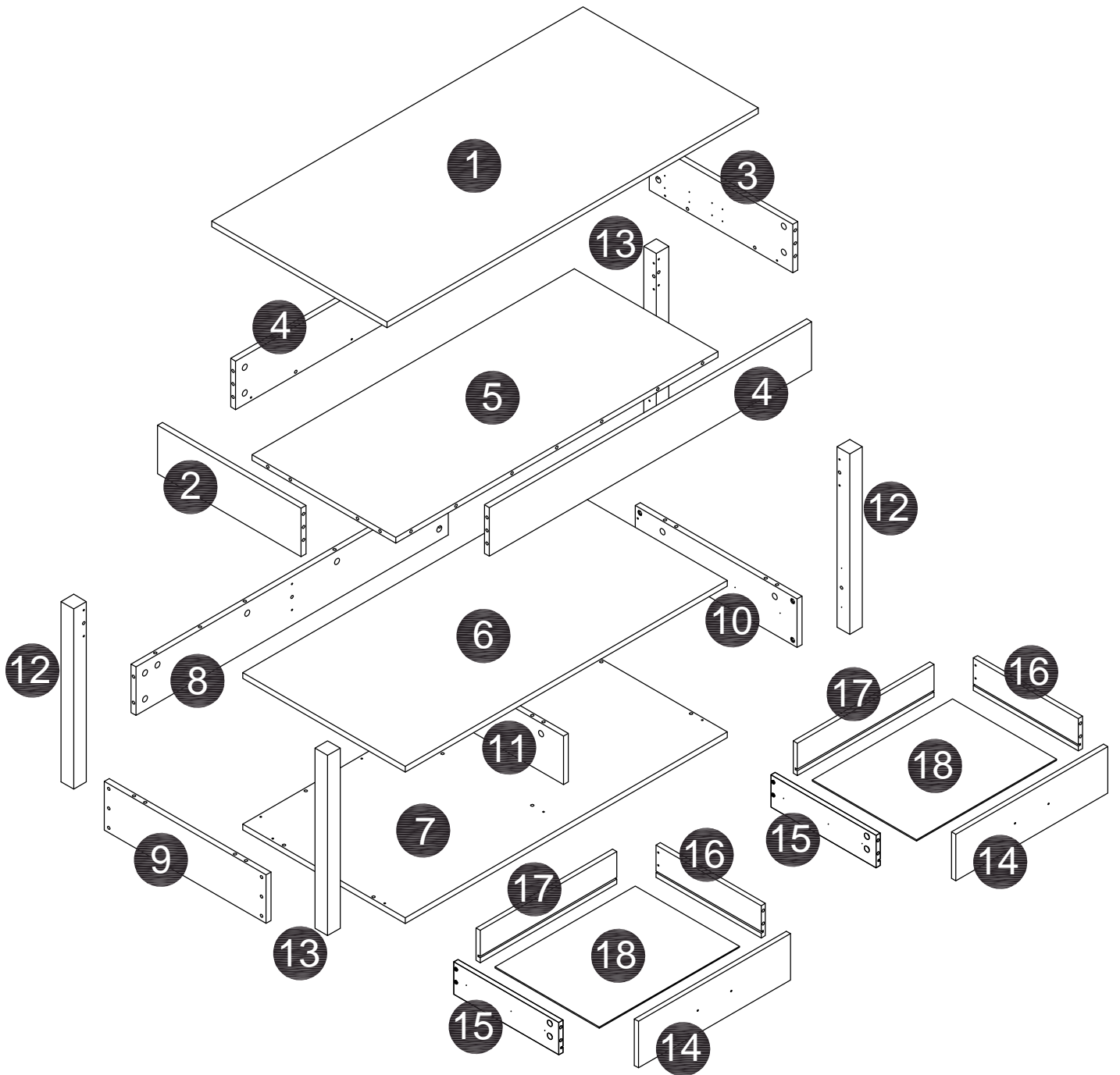
T-LIFT-2C01



 EST 9:AM--17:00PM

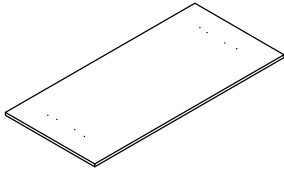
 HJ-Customer-Service@outlook.com

 (909)637-7665 | (909)637-7593

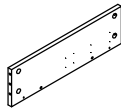


1 Component List

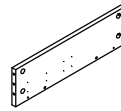
1 X1



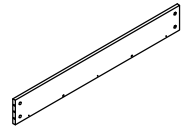
2 X1



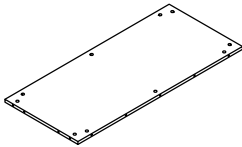
3 X1



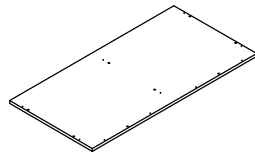
4 X2



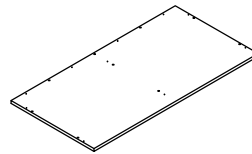
5 X1



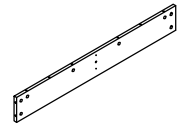
6 X1



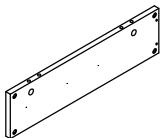
7 X1



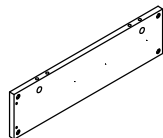
8 X1



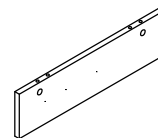
9 X1



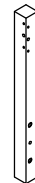
10 X1



11 X1



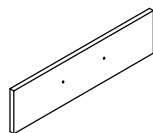
12 X2



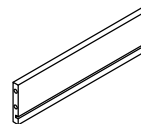
13 X2



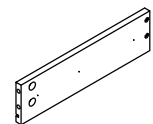
14 X2



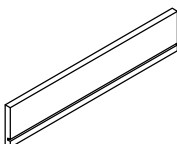
15 X2



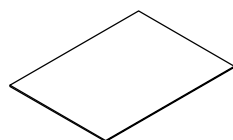
16 X2



17 X2

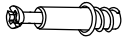


18 X2



2 Supplied Parts and Hardware

A X50+2



Ø6x34mm

B X50+2



Ø15x9.5mm

C X37+2



Ø8x30mm

D X8



Ø1/4"x22mm

E X2



F X4



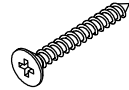
Ø5/32"x15mm

G X24+2



Ø3.5x12mm

H X18+1

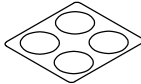


Ø4x30mm

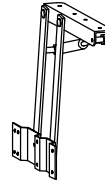
I X24+2



J X4

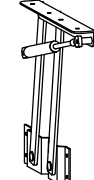


K X1



Left Lifter

L X1



Right Lifter

M X2SETS

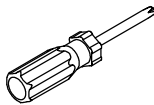


M1

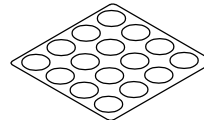


M2

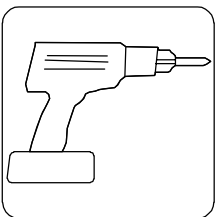
N X1



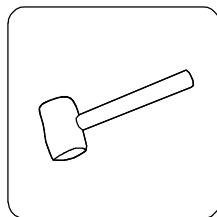
O X16



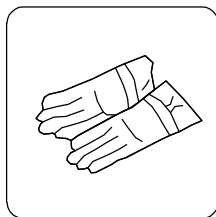
Please have the following auxiliary tools ready:
Bitte halten Sie folgende Hilfswerkzeuge bereit:
Veuillez préparer les outils auxiliaires suivants :
Si prega di avere pronti i seguenti strumenti ausiliari:
Por favor, tenga listas las siguientes herramientas auxiliares:



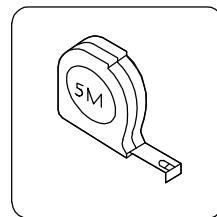
Electric Drill



Hammer



Gloves

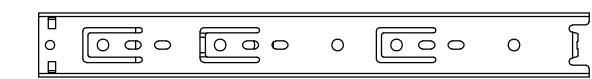
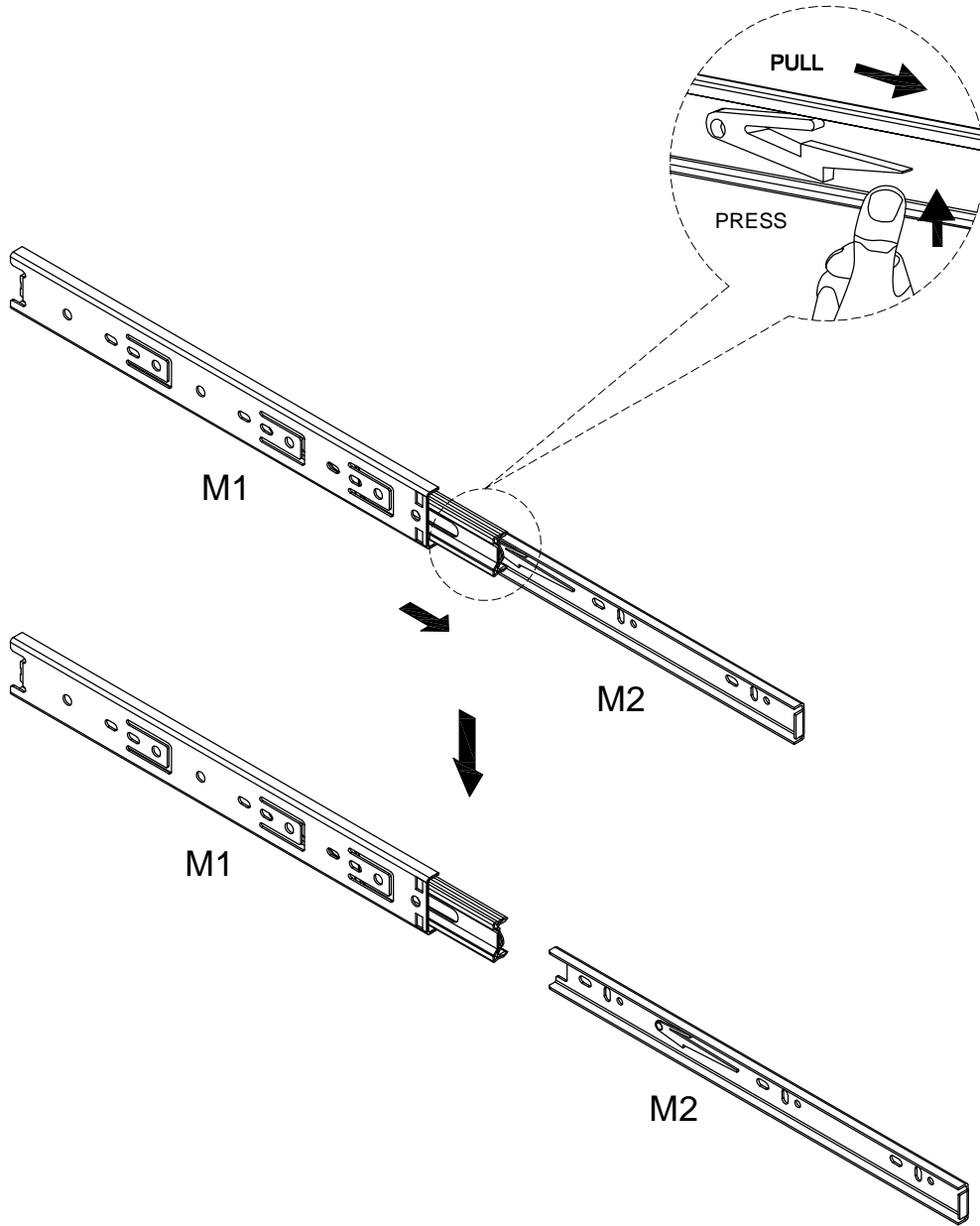


Tape Measure 5M

NOTE: This product requires at least two people for installation.

ASSEMBLY

1



BACK

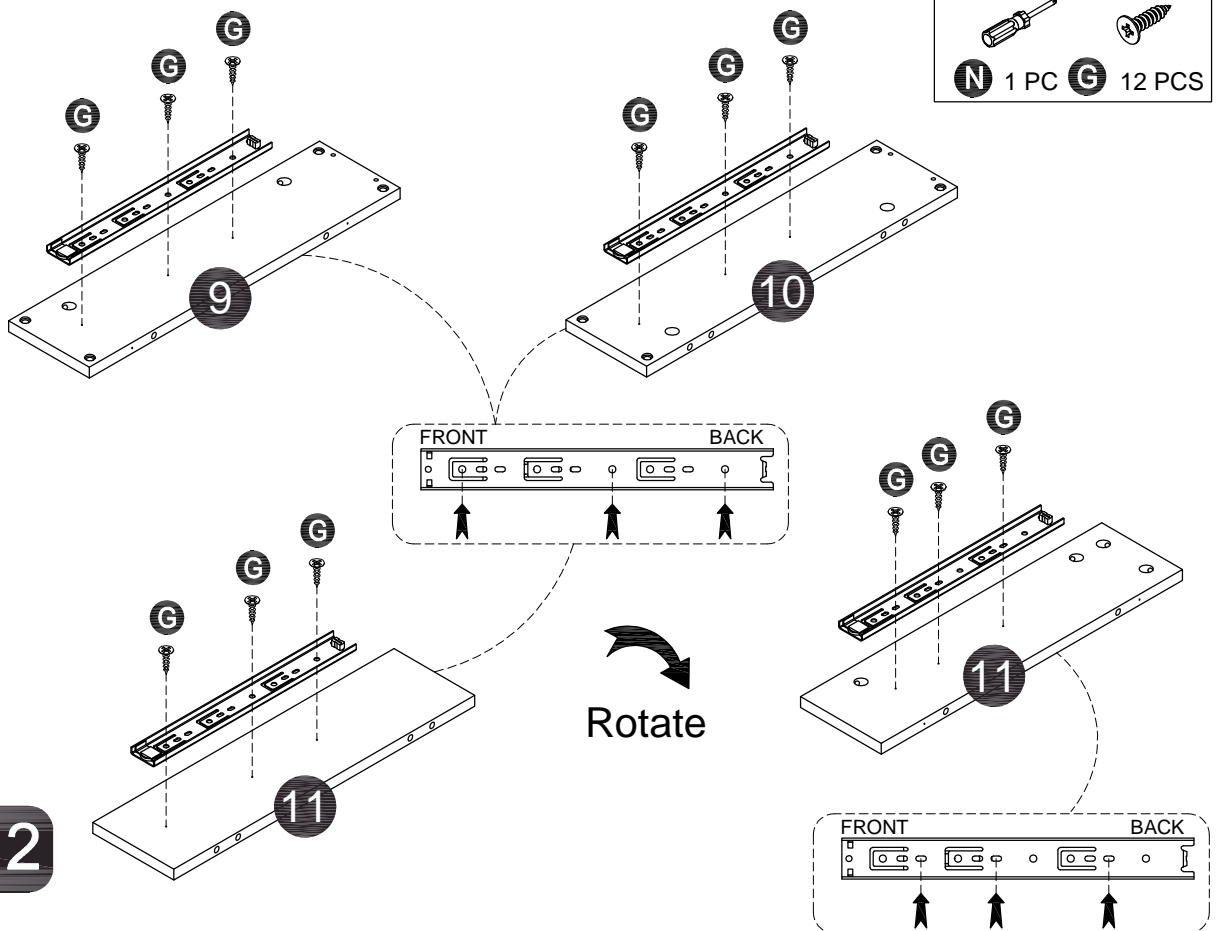
M1



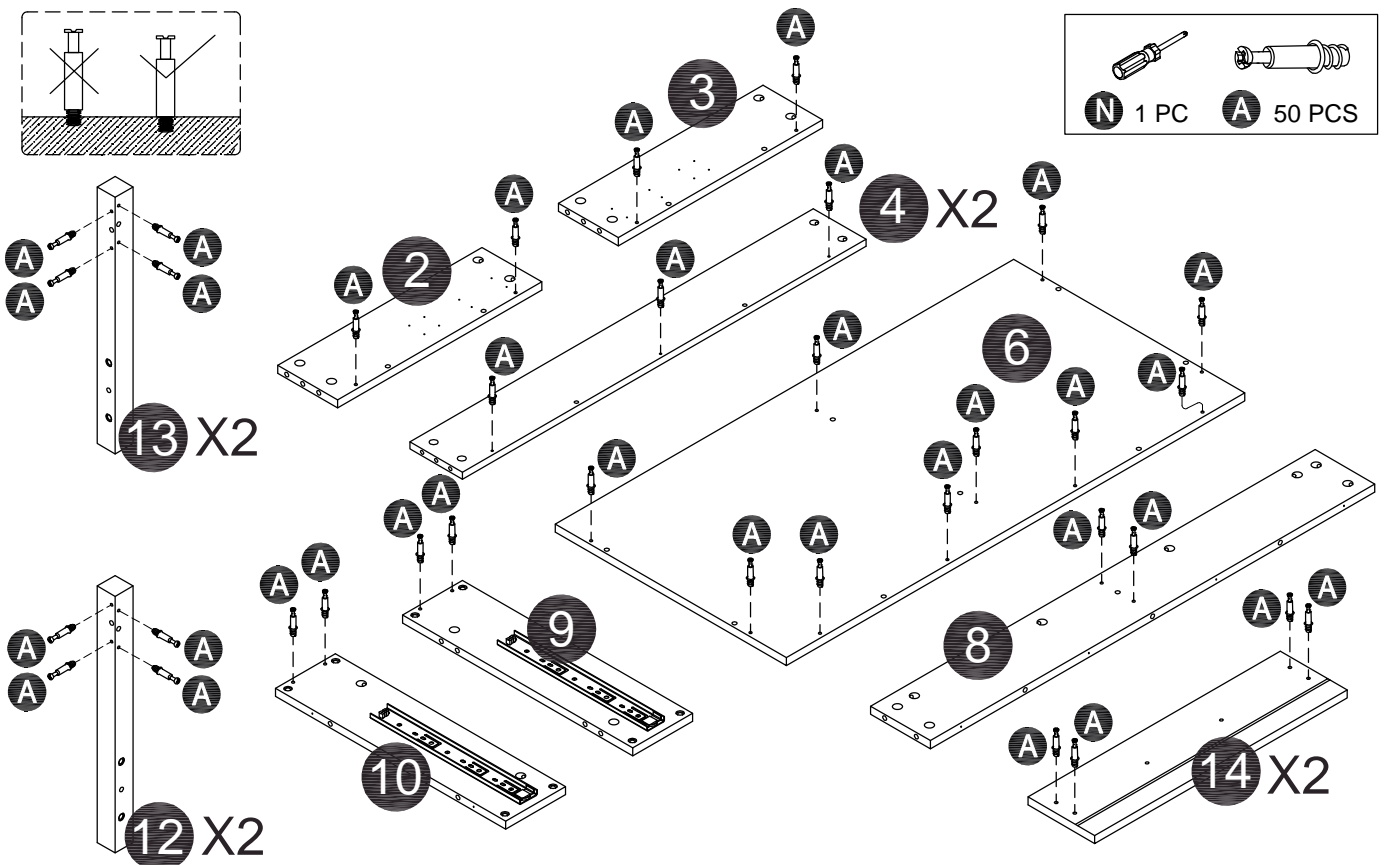
BACK

M2

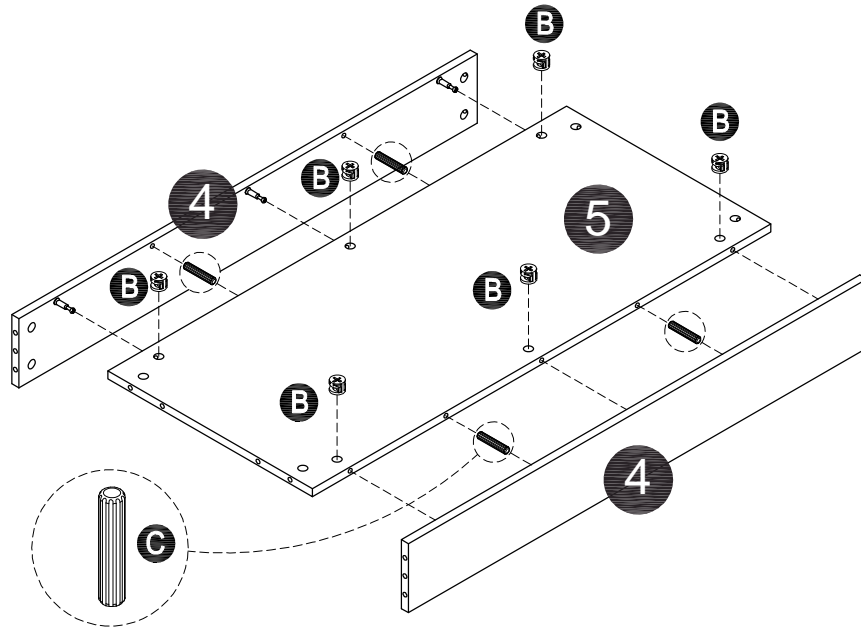
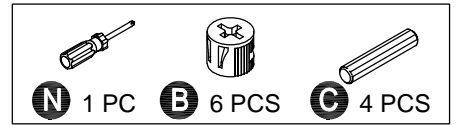
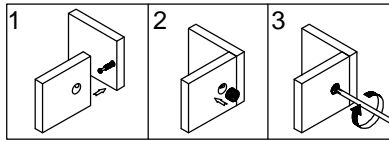
Step 1



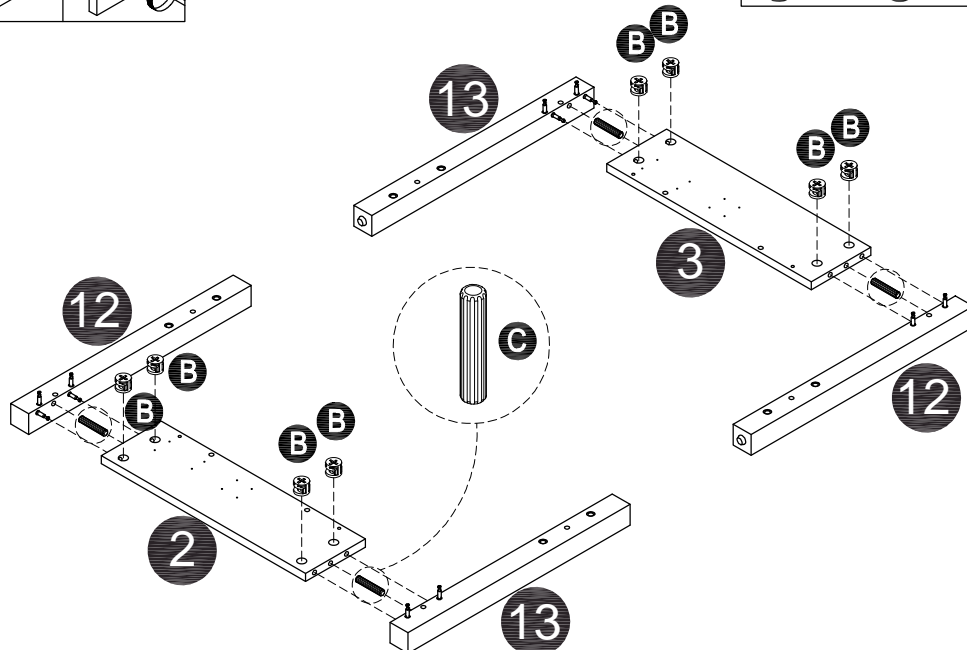
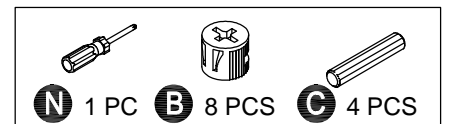
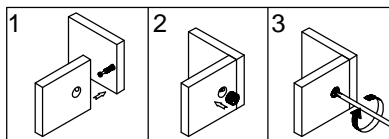
Step 2



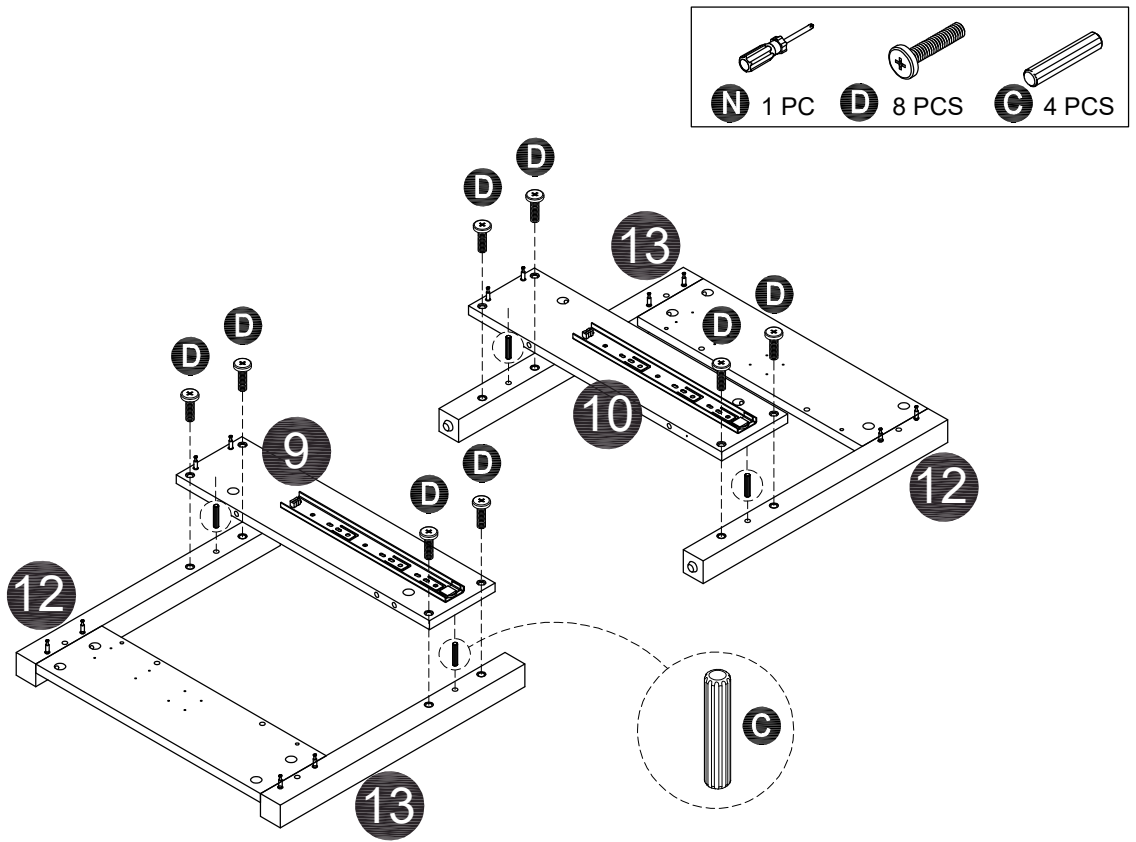
Step 3



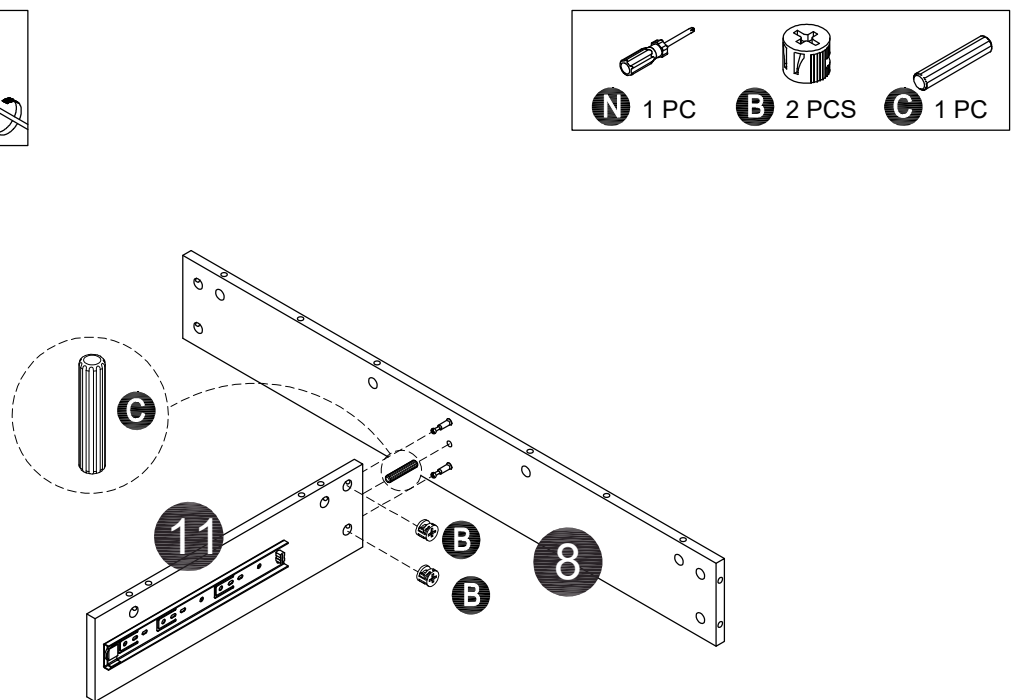
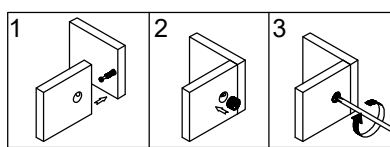
Step 4



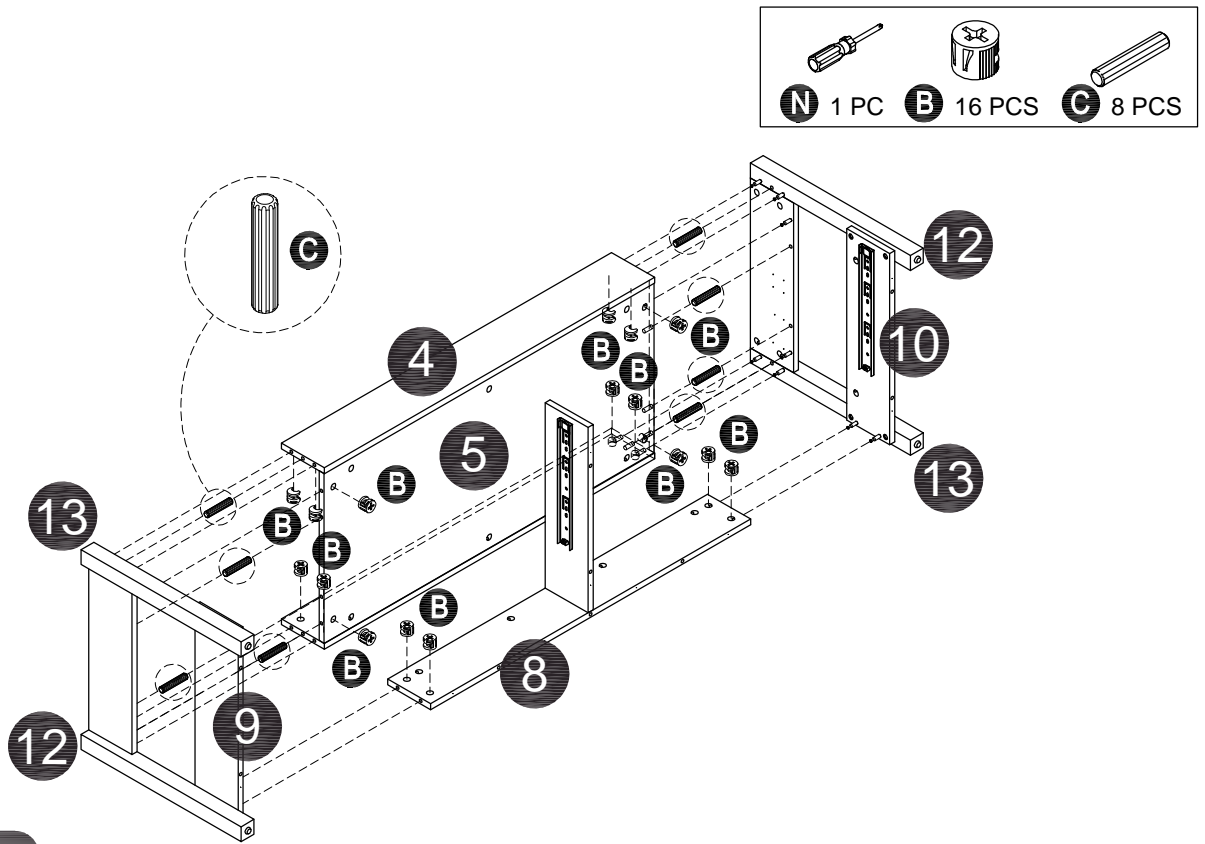
Step 5



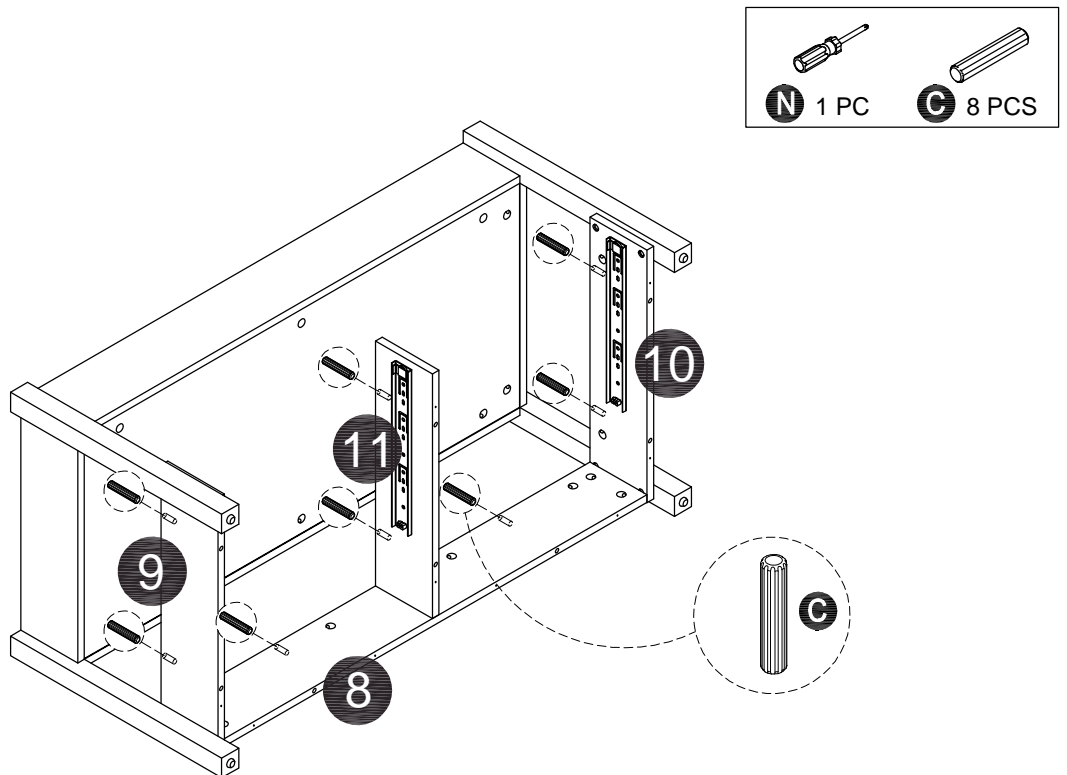
Step 6



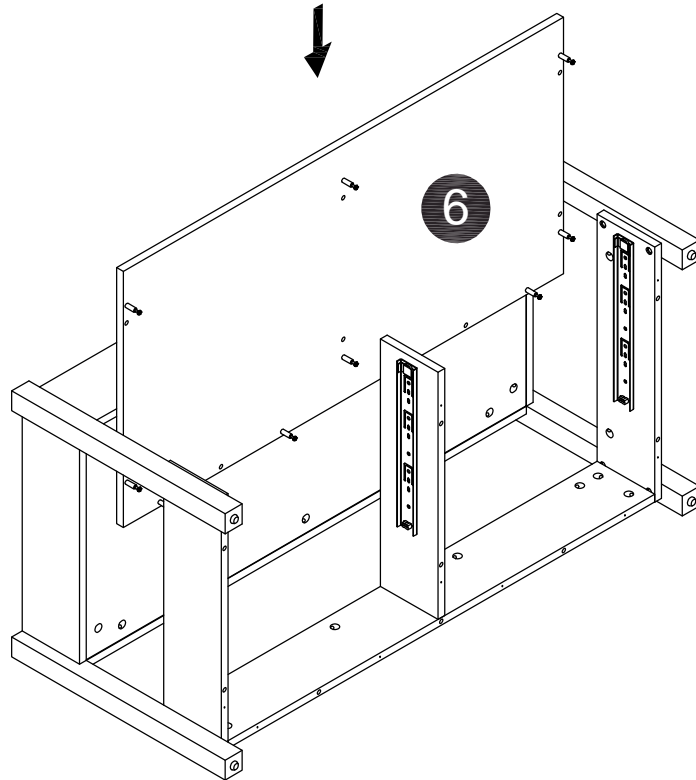
Step 7



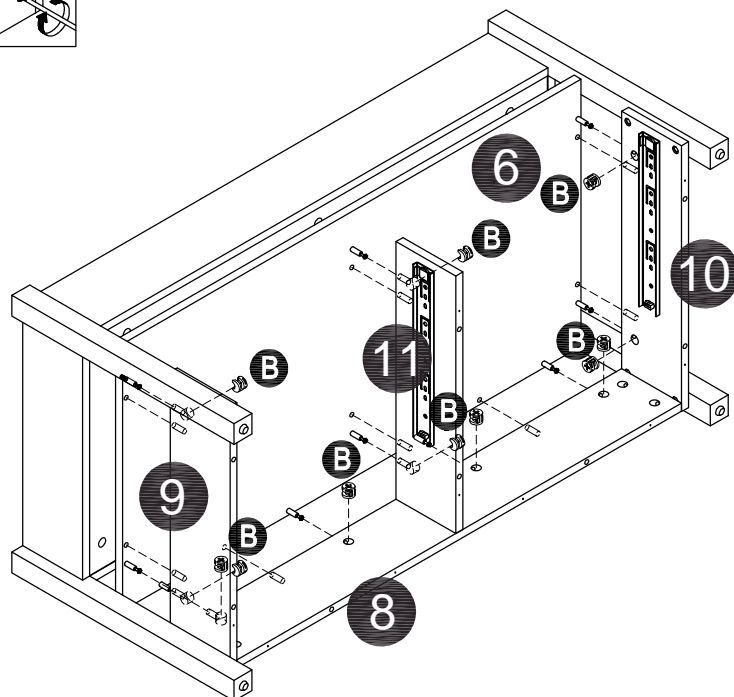
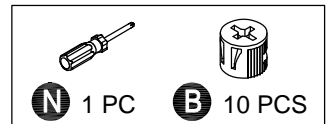
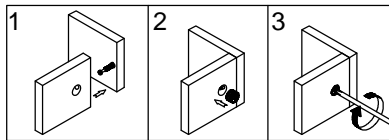
Step 8



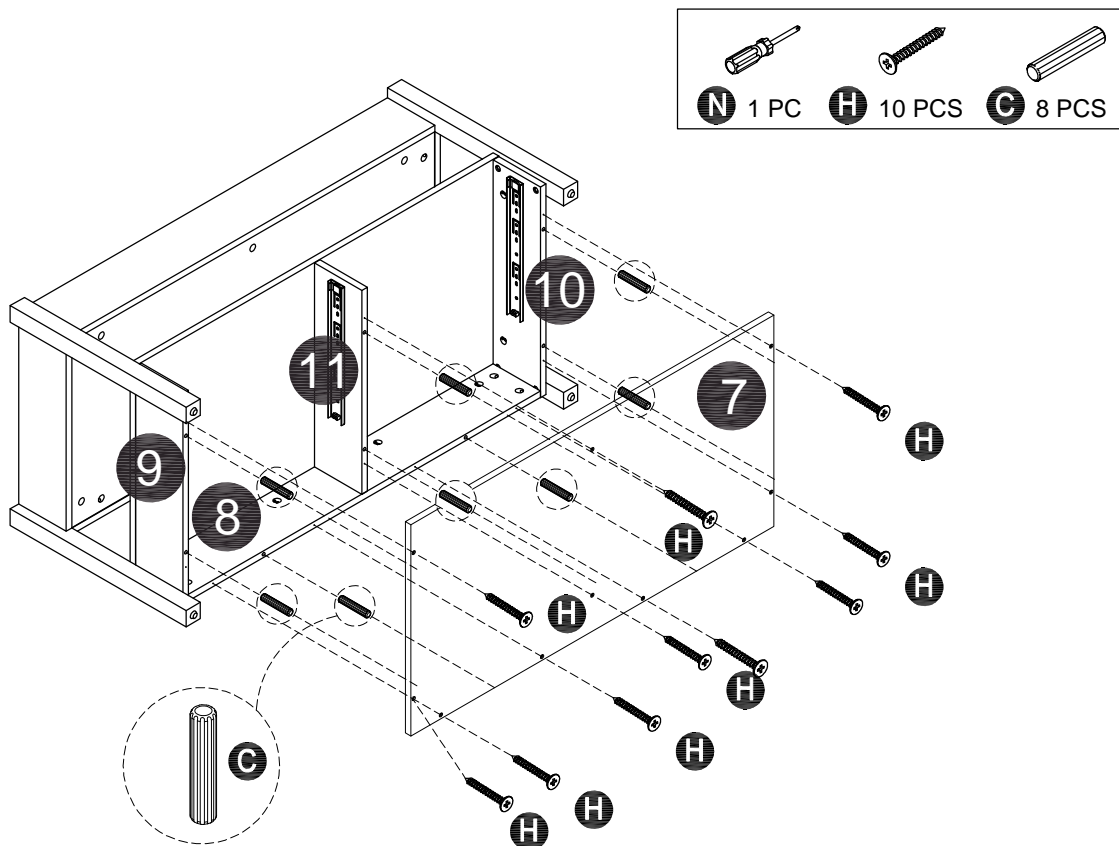
Step 9



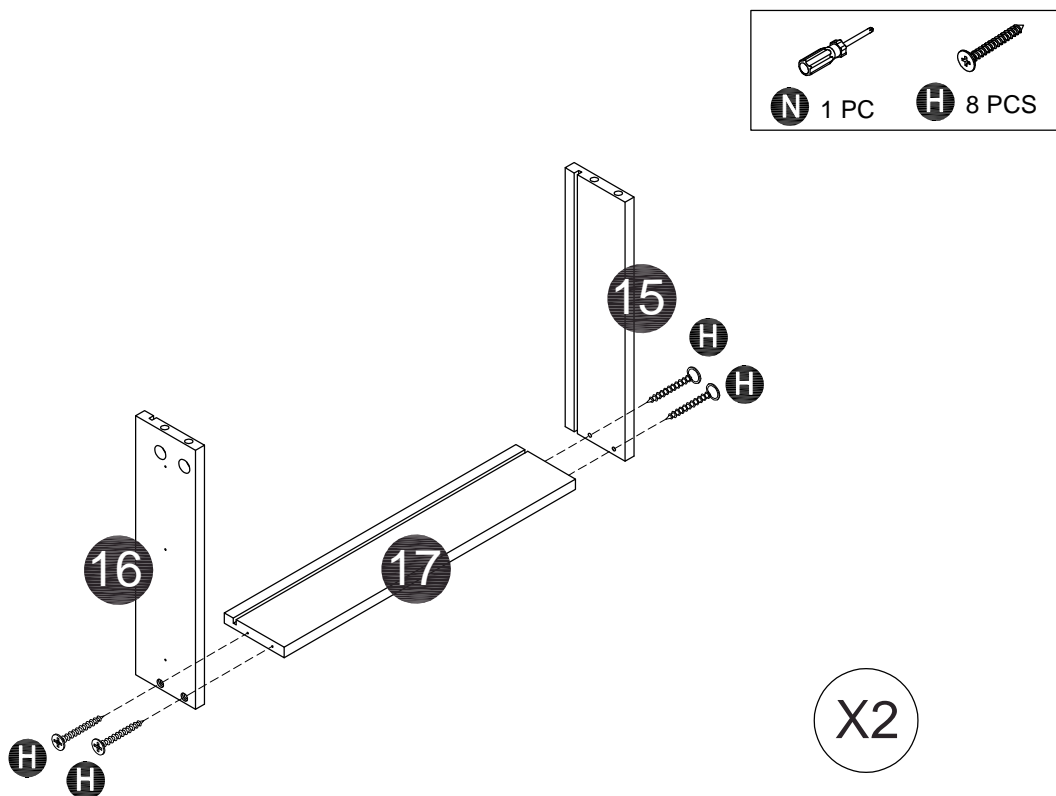
Step 9



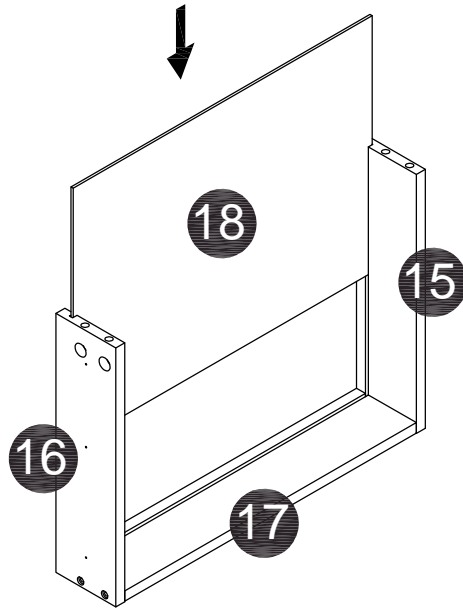
Step 10



Step 11

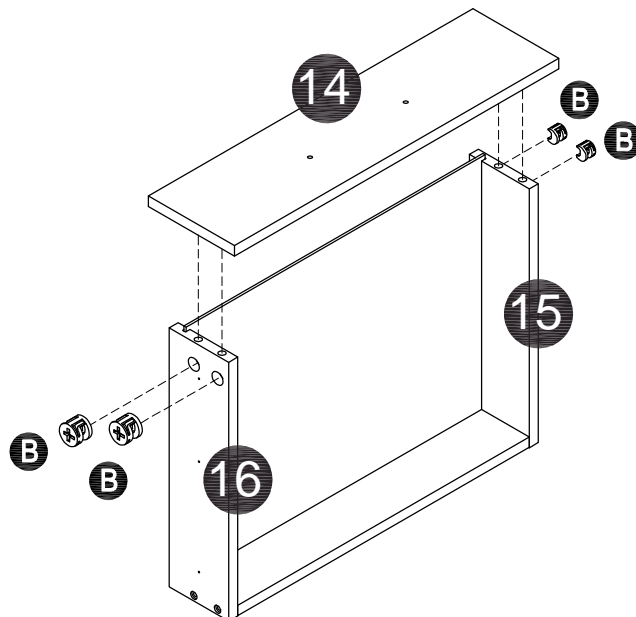
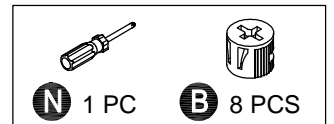


Step 10



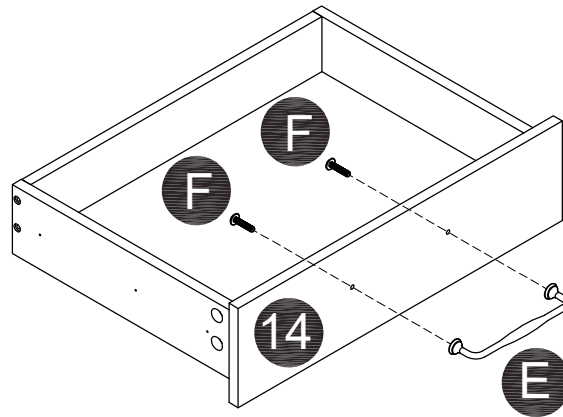
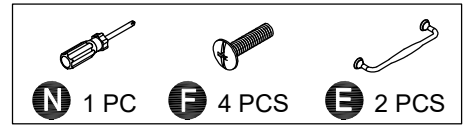
X2

Step 11



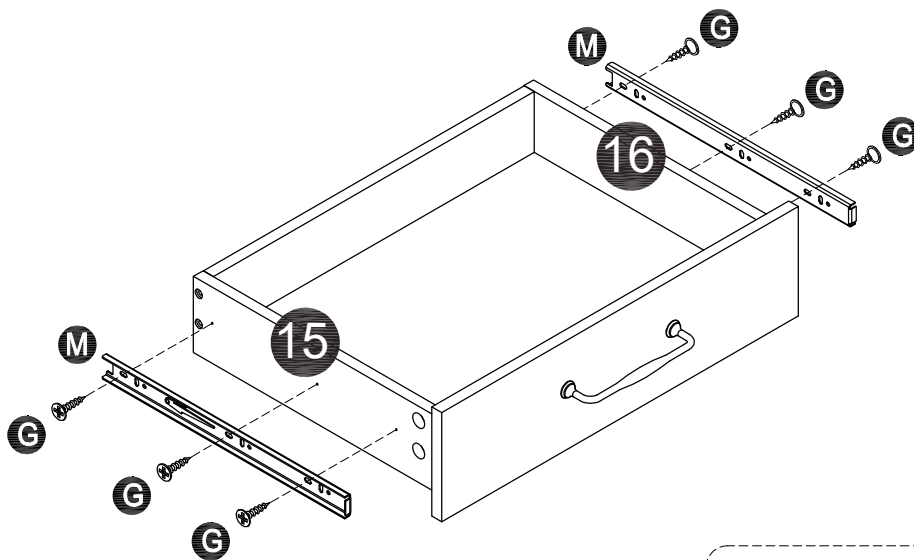
X2

Step12

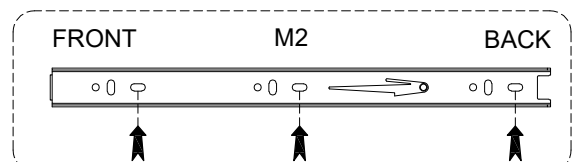


X2

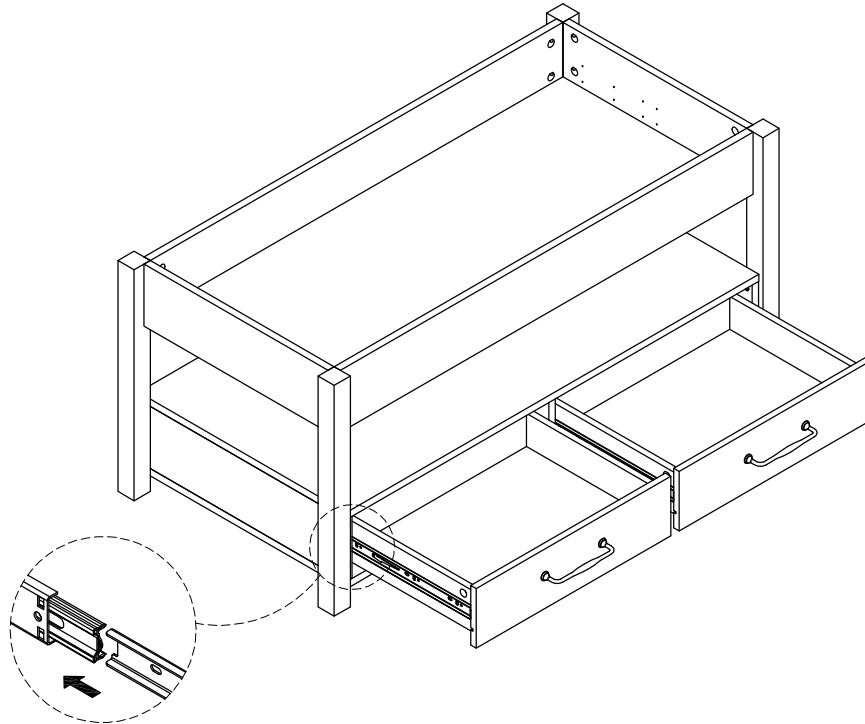
Step13



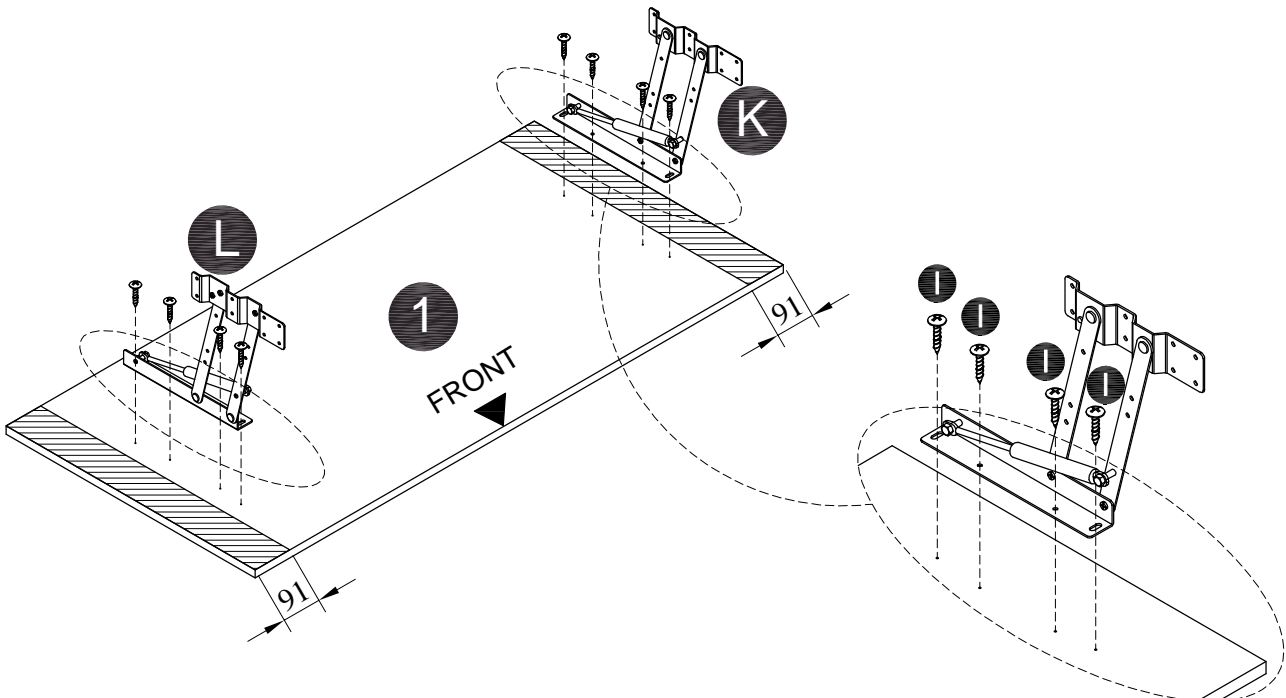
X2



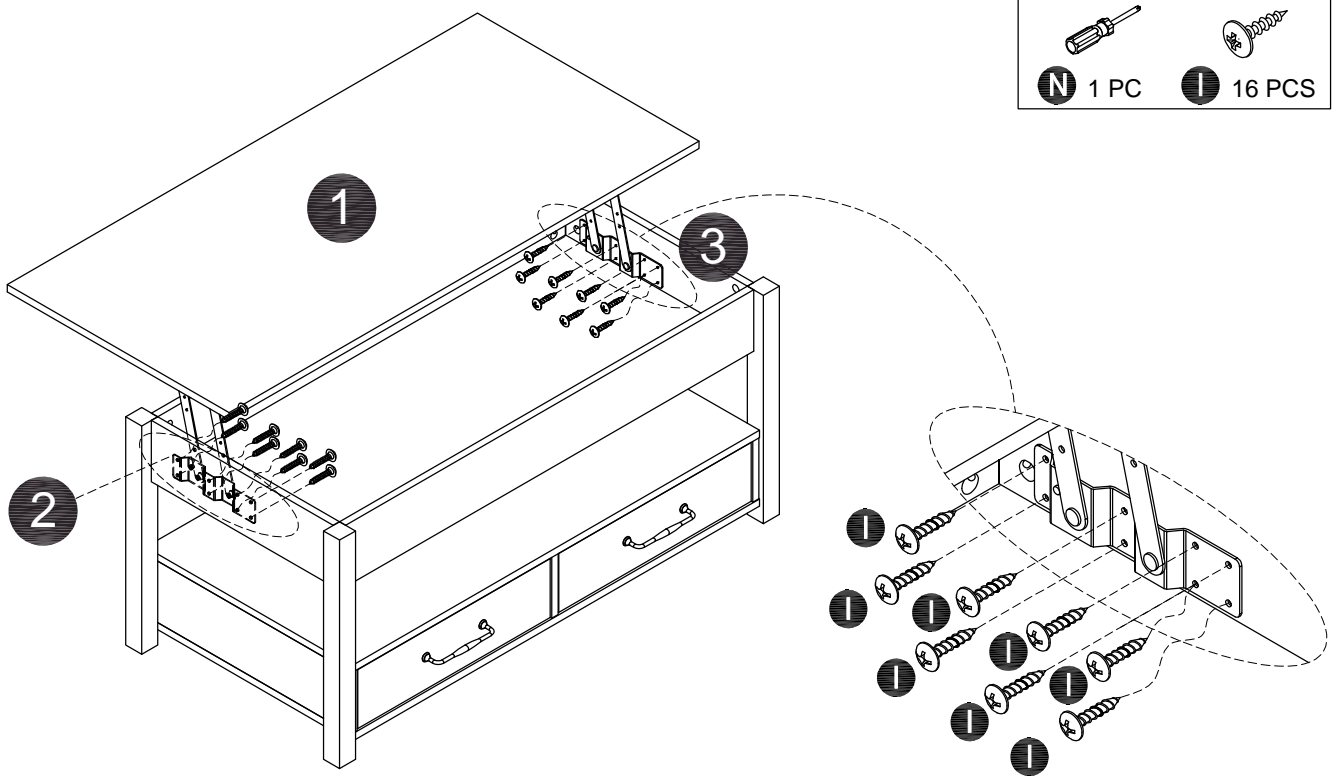
Step 14



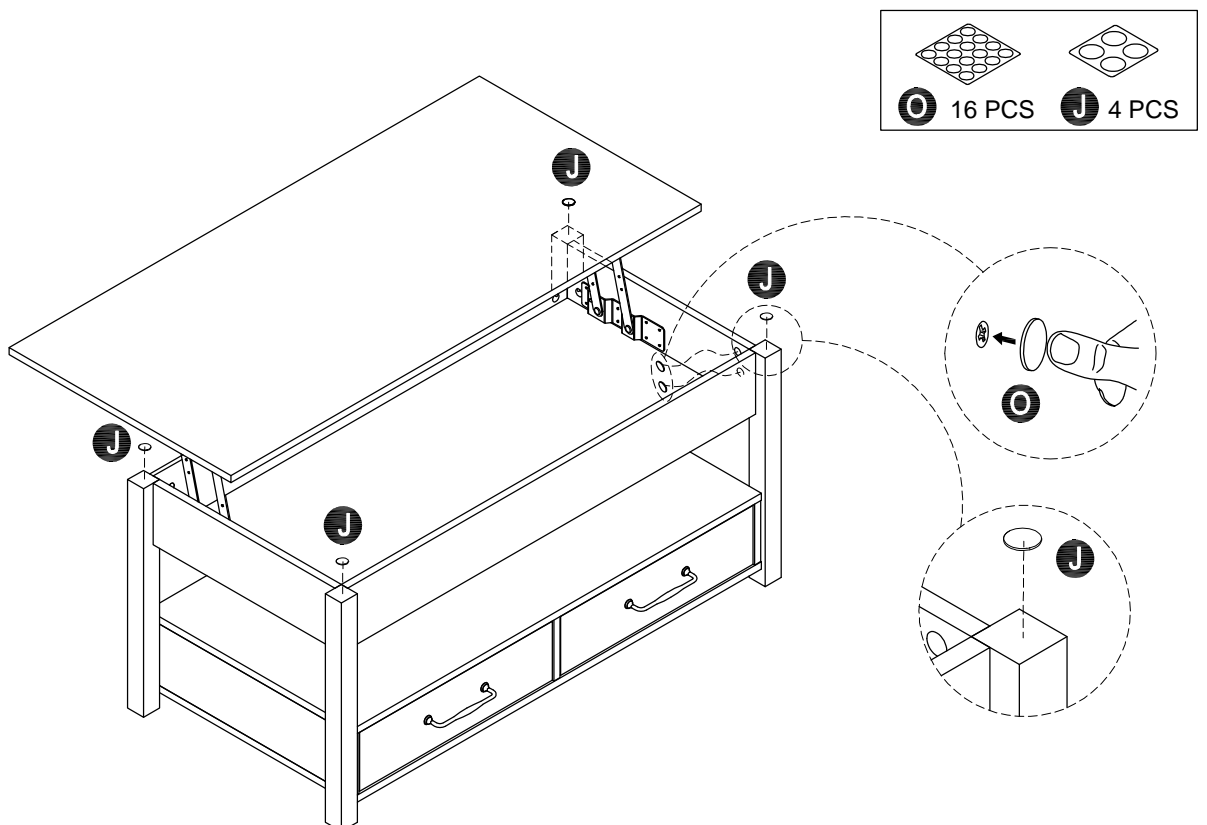
Step 15

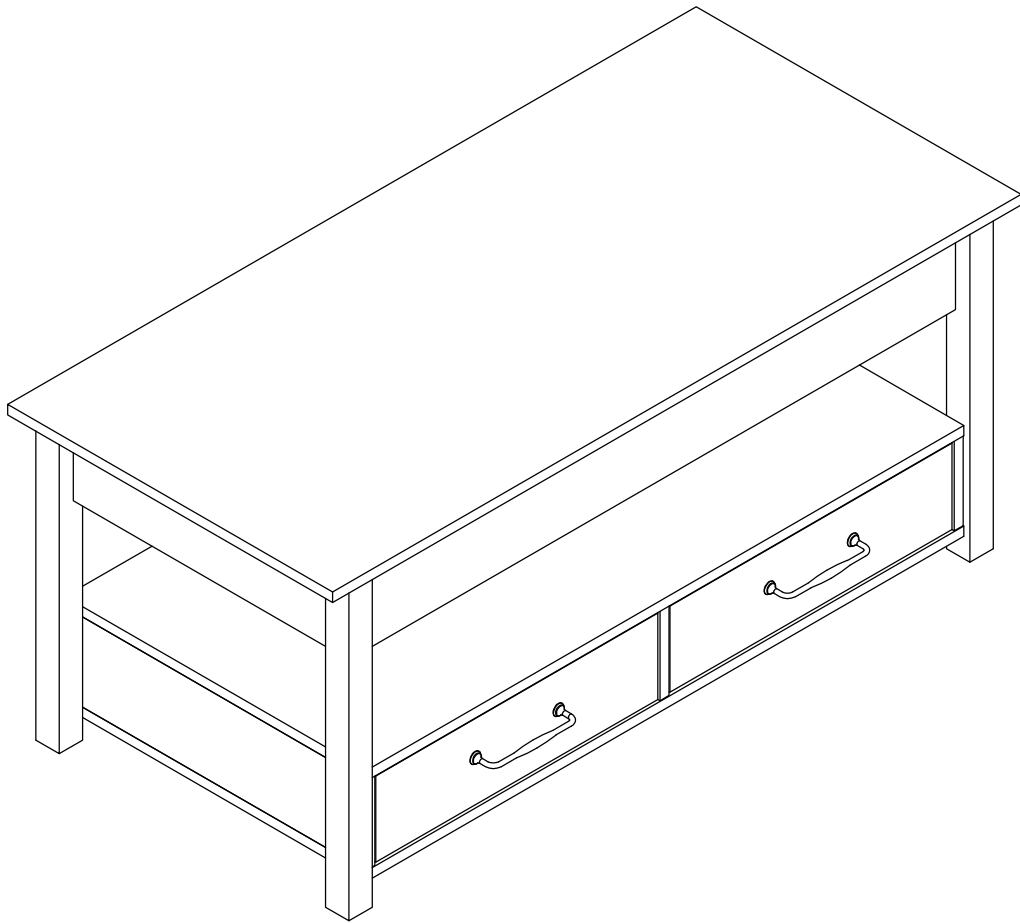


Step 16



Step 17





Technical Support

(909)637-7665 | (909)637-7593

Other Info

HJ-Customer-Service@outlook.com



Thank you for choosing this product. We strive to provide you with the best quality products and service in the industry. Should you have any issues, please don't hesitate to contact us.