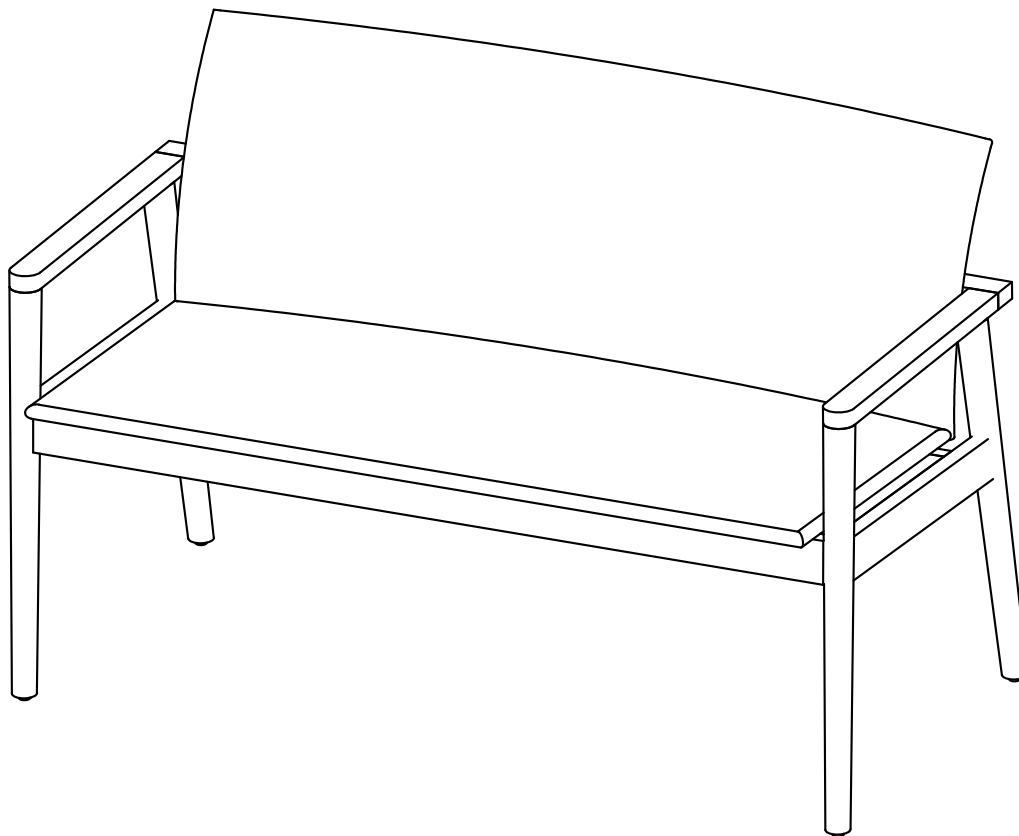


Assembly Instructions

Caution: You must read this **Assembly instructions** before you proceed.

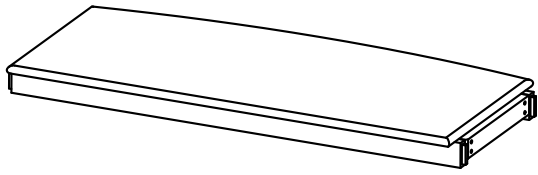
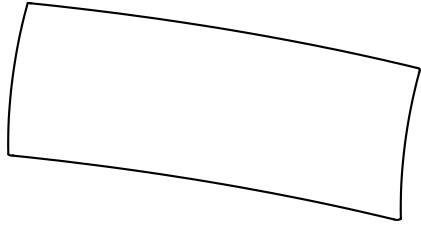
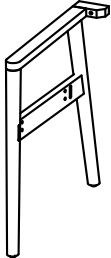
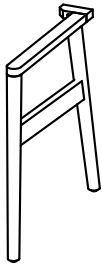
Please look in the **Leg Frames** for all hardware.

Loveseat


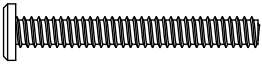



Caution: This Loveseat is NOT a TOY.
Keep your child/children at bay during the assembly process.
Whenever moving/lifting the Loveseat and to prevent damage to the Loveseat, two adult partners may be needed to execute these actions.

Part List:

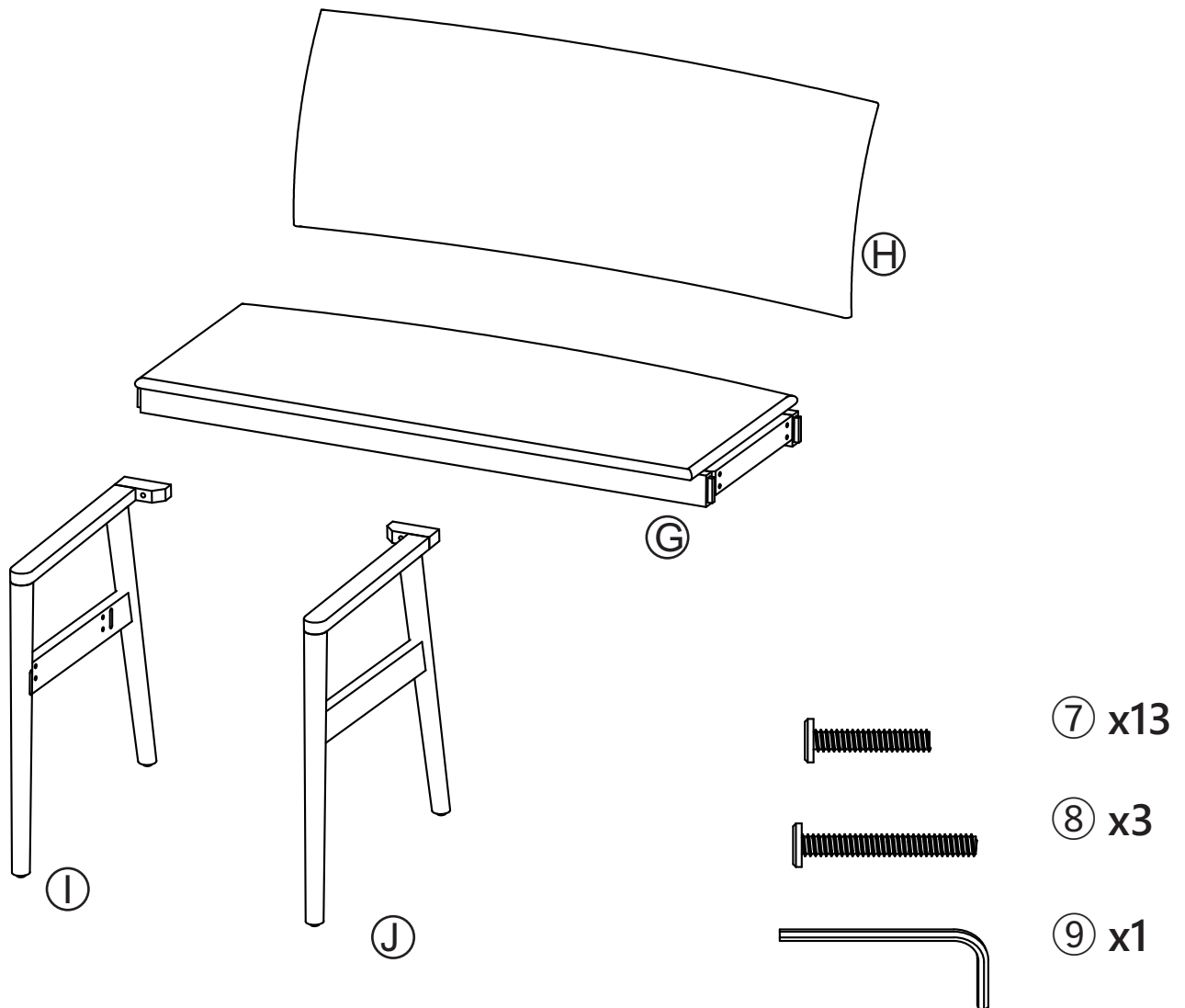
Label	Picture	Description	QTY
G		Seat Panel	1
H		Backrest Panel	1
I		Left Leg Frame	1
J		Right Leg Frame	1

Hardware:

Label	Picture	Description	QTY
⑦		Bolt (M6x40mm)	13
⑧		Bolt (M6x60mm)	3
⑨		Allen Wrench	1

Assembly Preparation :

Before Beginning Assembly:



- Read instructions, cover to cover-



- Have 2 adults on hand for assembly-



- Do not assemble on flooring or carpet-



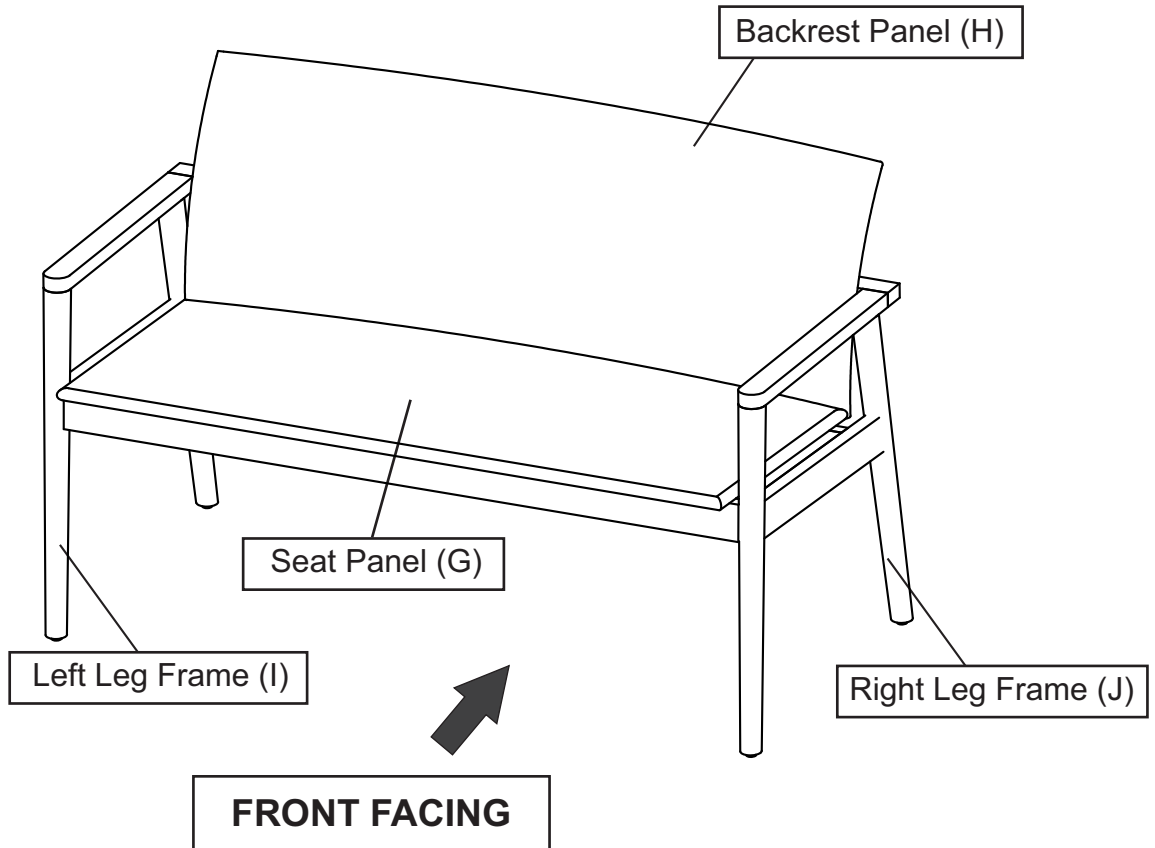
- Assemble on a clean non-marring surface (packing foam)-



- Save all packaging until finished-

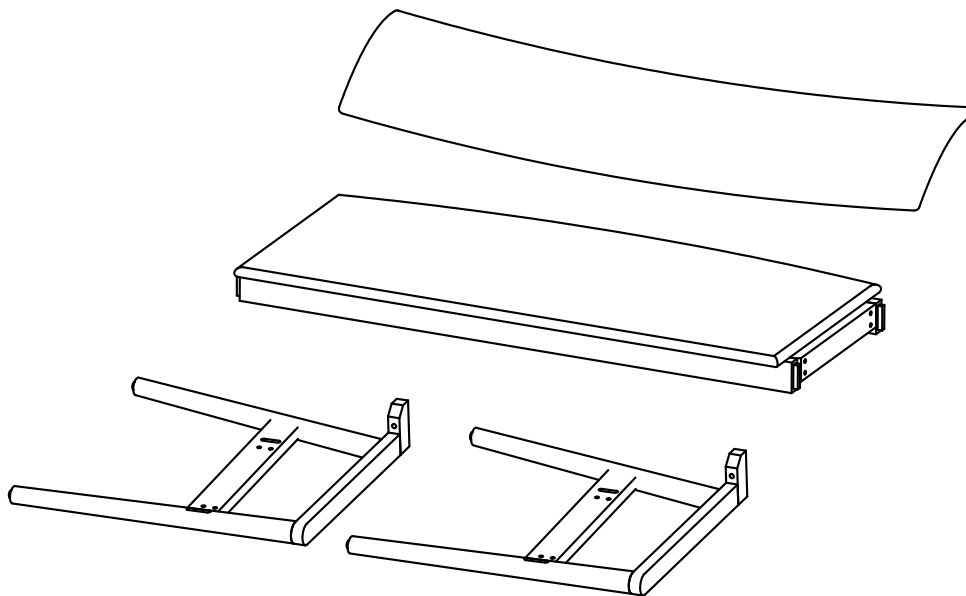
Assembly Steps:

Overview



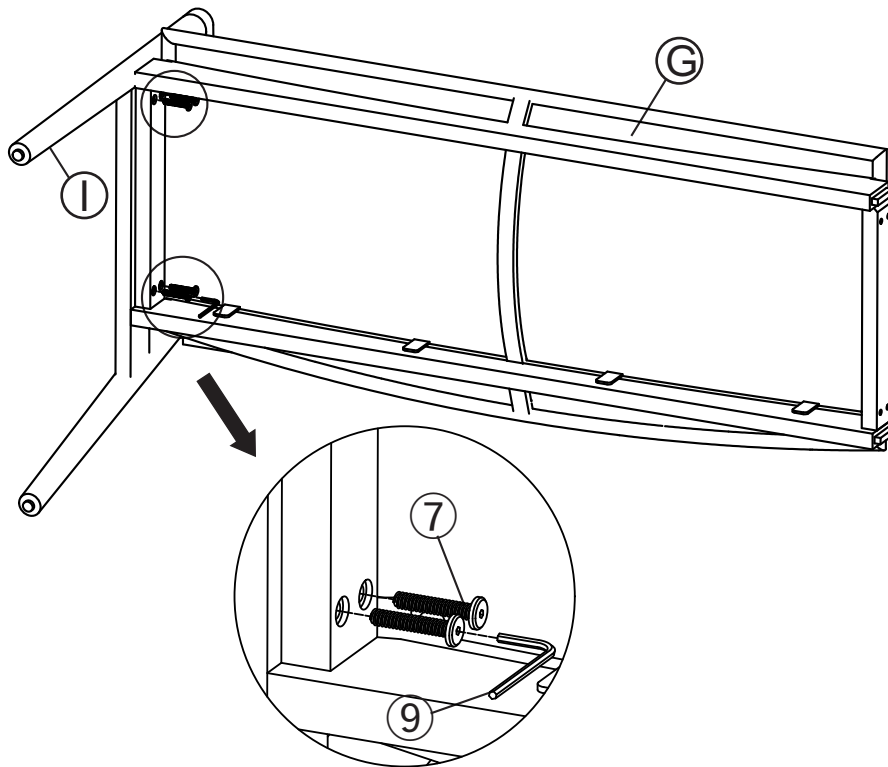
This Loveseat has multiple parts and may require up to 30 minutes to assemble. To give you an overview of the Loveseat parts, the above picture is to help you put the various parts into perspective. Please read through the instructions below to familiarise yourself with the parts and steps before assembly.

Step 1



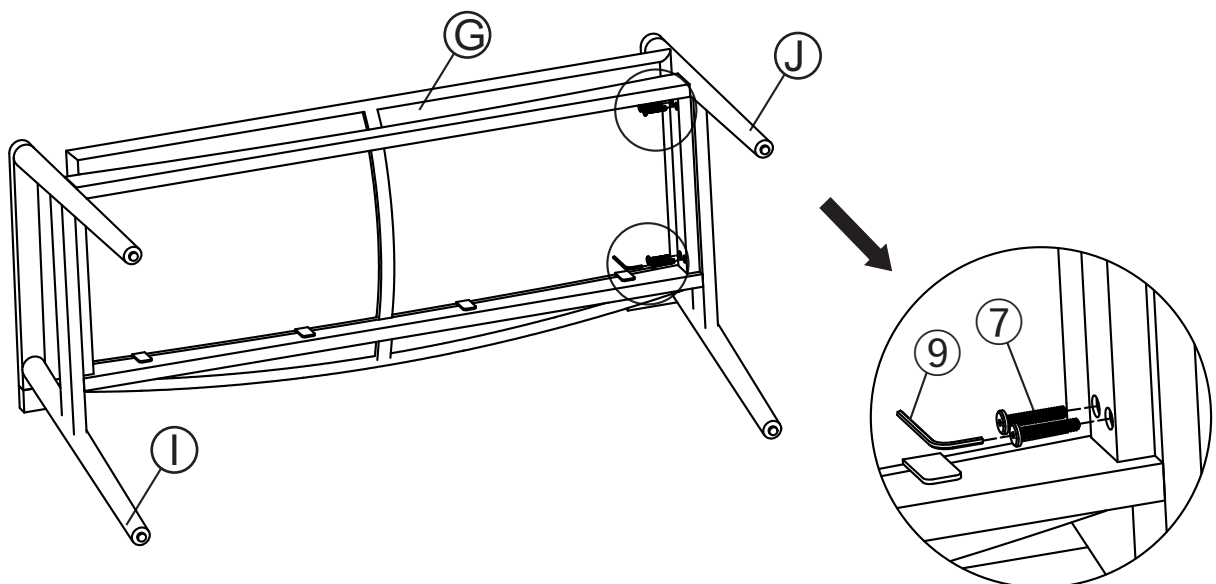
Unpack and place all parts on a clean, non-marring surface.

Step 2



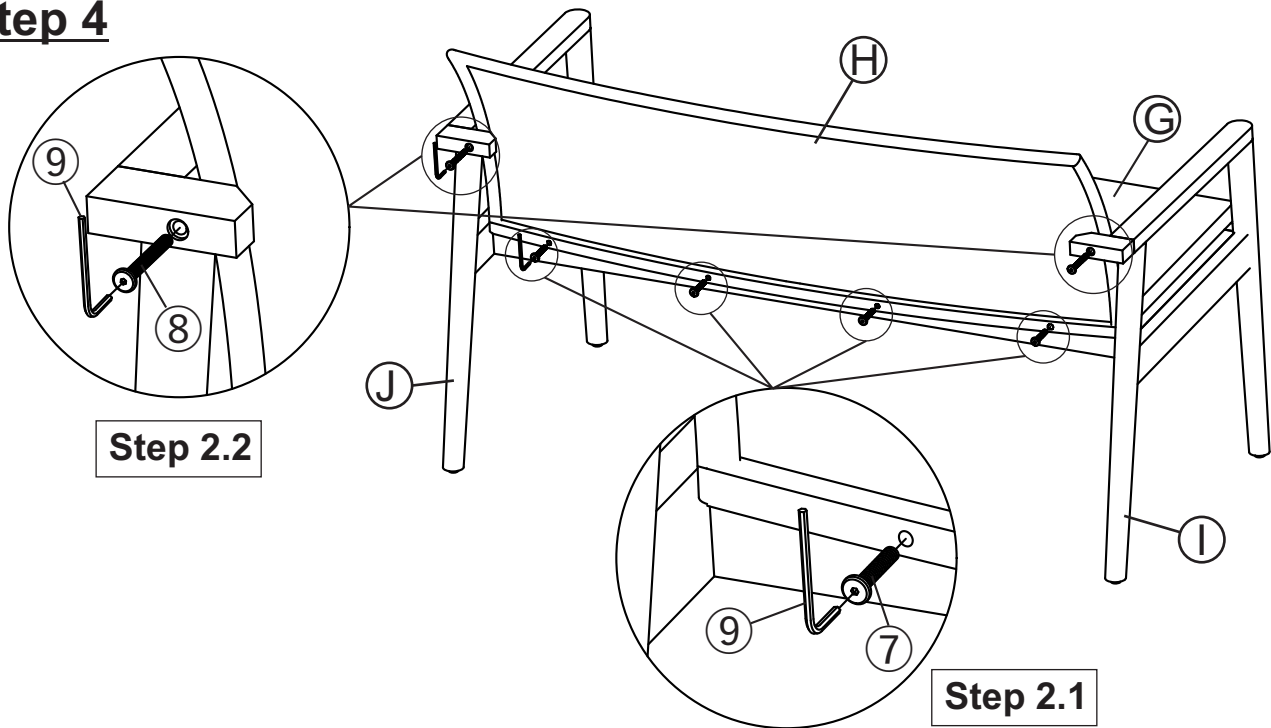
With assistance from your adult partner, turn the Seat Panel (G) right side up. Attach the Left Leg Frame (I) onto the Seat Panel (G) using Bolts (7) and the Allen Wrench (9) as shown in the picture above.
DO NOT fully tighten the Bolts at this time.

Step 3



With assistance from your adult partners, attach the Right Leg Frame (J) onto the Seat Panel (G) using Bolts (7) and the Allen Wrench (9) as shown in the picture above.
DO NOT fully tighten the Bolts at this time.

Step 4



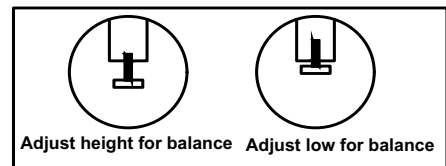
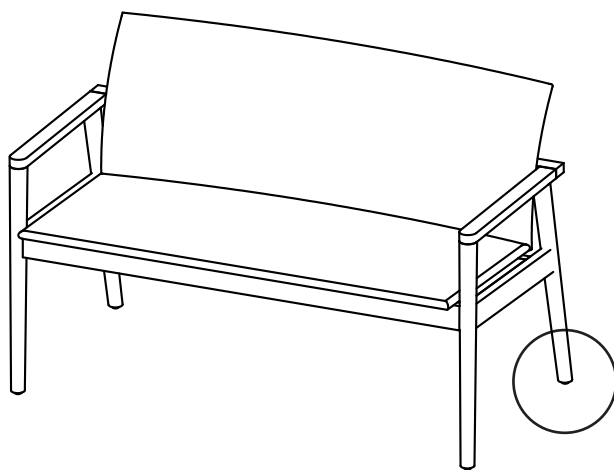
With the assistance from your adult partner, stand the Loveseat up.

2.1 Attach the Backrest Panel (H) onto the Seat Panel (G) using Bolts (7) and the Allen Wrench (9).

2.2 Secure the Backrest Panel (H) onto the Left Leg Frame (I) and Right Leg Frame (J) using Bolts (8) and the Allen Wrench (9).

DO NOT fully tighten the Bolts at this time.

Step 5



Adjust Pre-installed Levelers height for balance

EXERT pressure floorwards onto the Loveseat with both hands.

This pressure will help the Loveseat reach full alignment at all joints.

In a sequential manner, gradually tighten all Bolts at all joints until evenly secured.












Inspect the Loveseat and make sure all parts are adequately connected.

Adjust the Levelers to the desired height to avoid wobbles.

Your Loveseat is ready for use.

This Loveseat can only be used on a flat, level surface.

Care & Maintenance:

- ⊘  • Prolonged exposure to rain may cause rusting which can stain floors.
- ⊘  • DO NOT put hot items directly on furniture surface.
- ⊘  • DO NOT clean furniture with harsh cleansers or polish.
- ✓  • To obtain the longest lifespan of your outdoor products, minimizing exposure to direct sunlight is recommended.
- ⊘  • Children should not climb or jump on the furniture.
- ⊘  • DO NOT write on furniture without a padded barrier to protect the surface.
- ✓  • To obtain the longest lifespan of your outdoor products, avoid extended and lengthy exposure to rain, snow, and direct sunshine. Whenever possible cover the product and / or place under patio or awnings.
- ⊘  • Not for commercial use. For residential use only.
- ⊘  • Stains may be removed with mild soap solution and damp cloth.
- ✓  • Keep away from sources of ignition.
- ✓  • Dust and pick-up spill using a clean, non-colored, lint-free cloth.