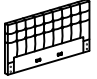
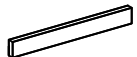

















ASSEMBLY INSTRUCTIONS

**NOTE : THIS ITEM NOT RECOMMENDED FOR COMMERCIAL USE
KEEP THIS DOCUMENT FOR REFERENCE IN CASE PARTS ARE NEEDED**

DO NOT TIGHTEN SCREWS UNTIL COMPLETELY ASSEMBLED !!

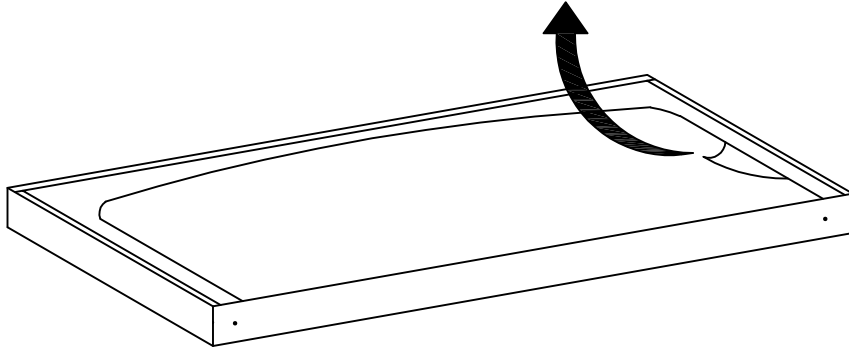
NO		DESCRIPTION	QTY
A		Headboard	1pc
B		Footboard	1pc
C		Side Rail	4pcs
D		Legs	4pcs
E		Center Rail	2pcs
F		Support Legs	2pcs
G		Stiffener Slat	1pc
H		LVL Slat	42pcs

NO		DESCRIPTION	QTY
1		JCBB M8 x 20	8pcs
2		JCBC M6 x 40	4pcs
3		Wrench Key 65mm	1pc
4		Wrench Key 70mm	1pc
5		CSK Screw 25mm	4pcs
6		CSK Screw 32mm	4pcs
7		Adjuster	4pcs
8		Middle Holder	28pcs
9		End Holder	28pcs

ASSEMBLY INSTRUCTIONS

STEP 1 :

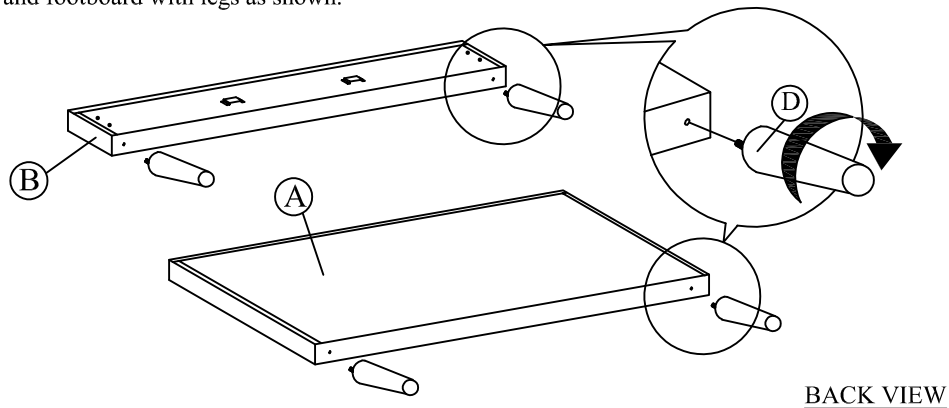
Step 1: Unzip the black non-woven fabric on the back of headboard and take out the night stand out.



Attention: Re-zip the black non-woven fabric after you take out the parts.

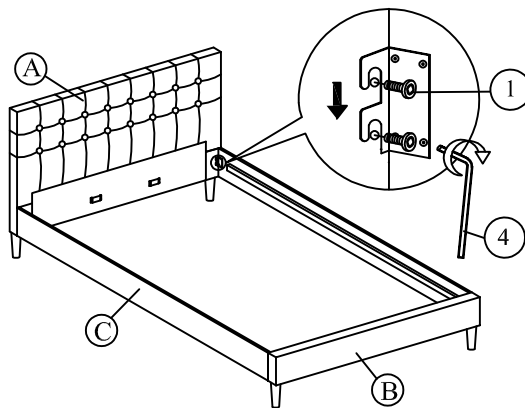
STEP 2 :

Attach the headboard and footboard with legs as shown.



STEP 3 :

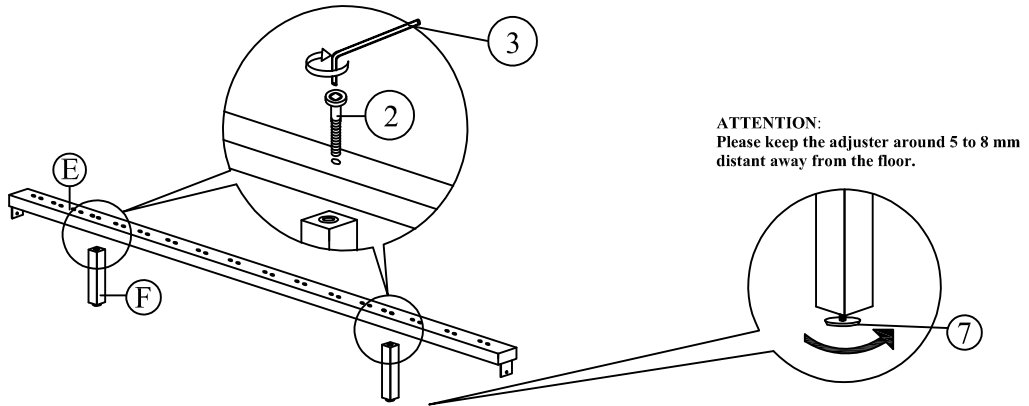
Attach side rail to footboard first follow by headboard by pushing the bracket down to fit it.



ASSEMBLY INSTRUCTIONS

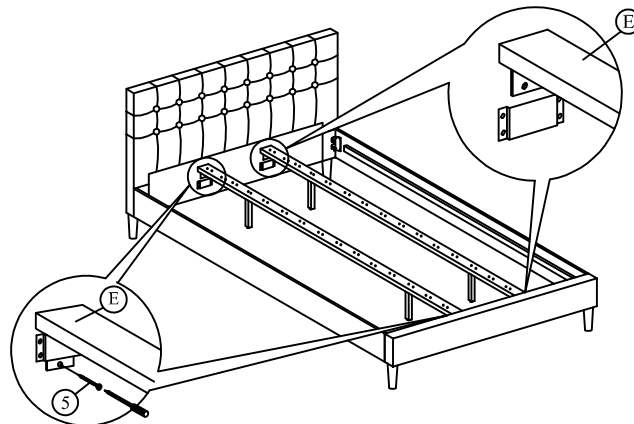
STEP 4 :

Attach the support legs to the center rail of the bed as shown.



STEP 5 :

Slide the center rail to the headboard and footboard . Tighten screws using screw driver (not included) to the headboard (A) and footboard (B).



STEP 6 :

Affix the stiffener slat to the side rail support wood and the center rail. Tighten all the 4 corner , follow by assembly of the slat holders with LVL slats as shown.

