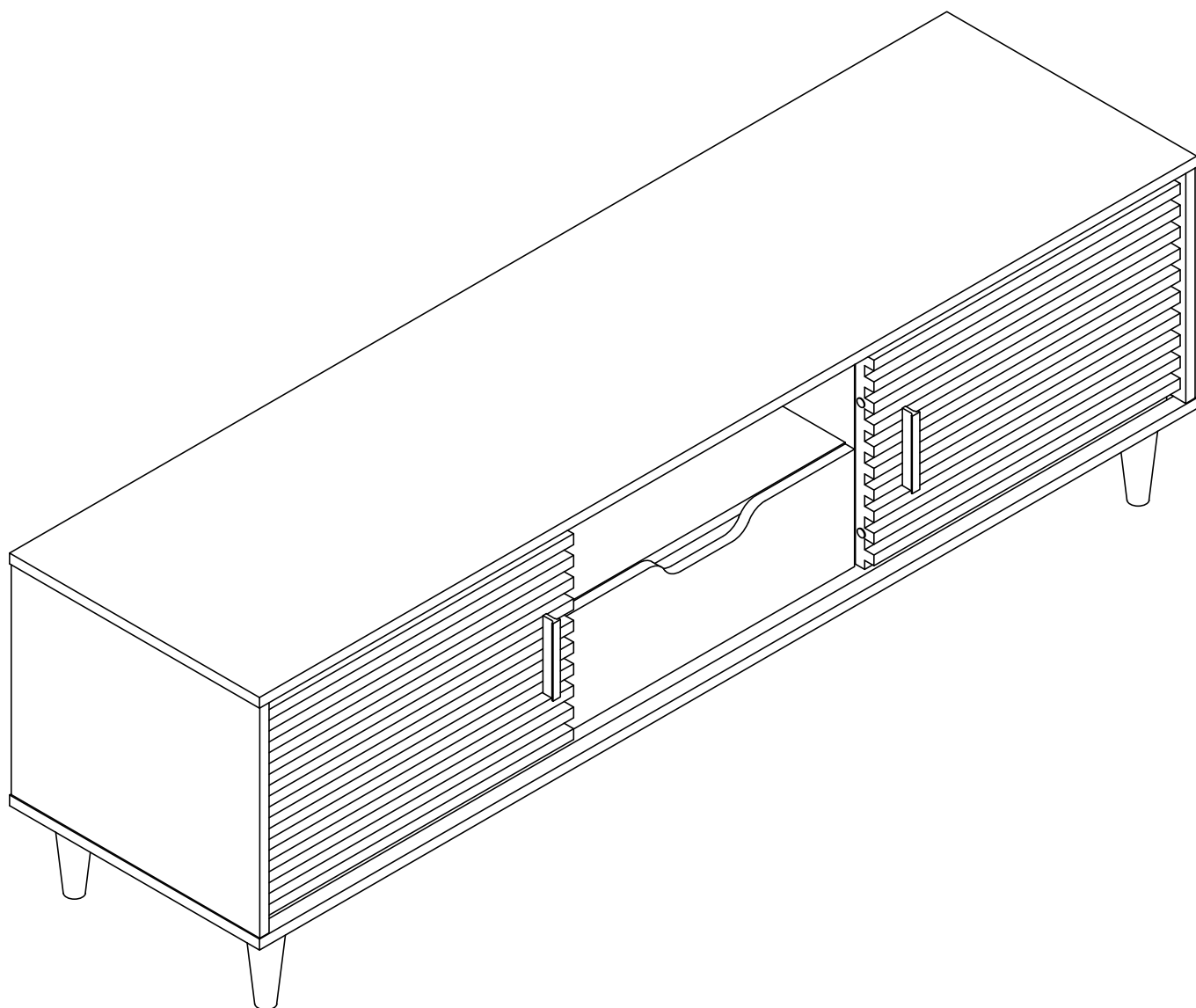
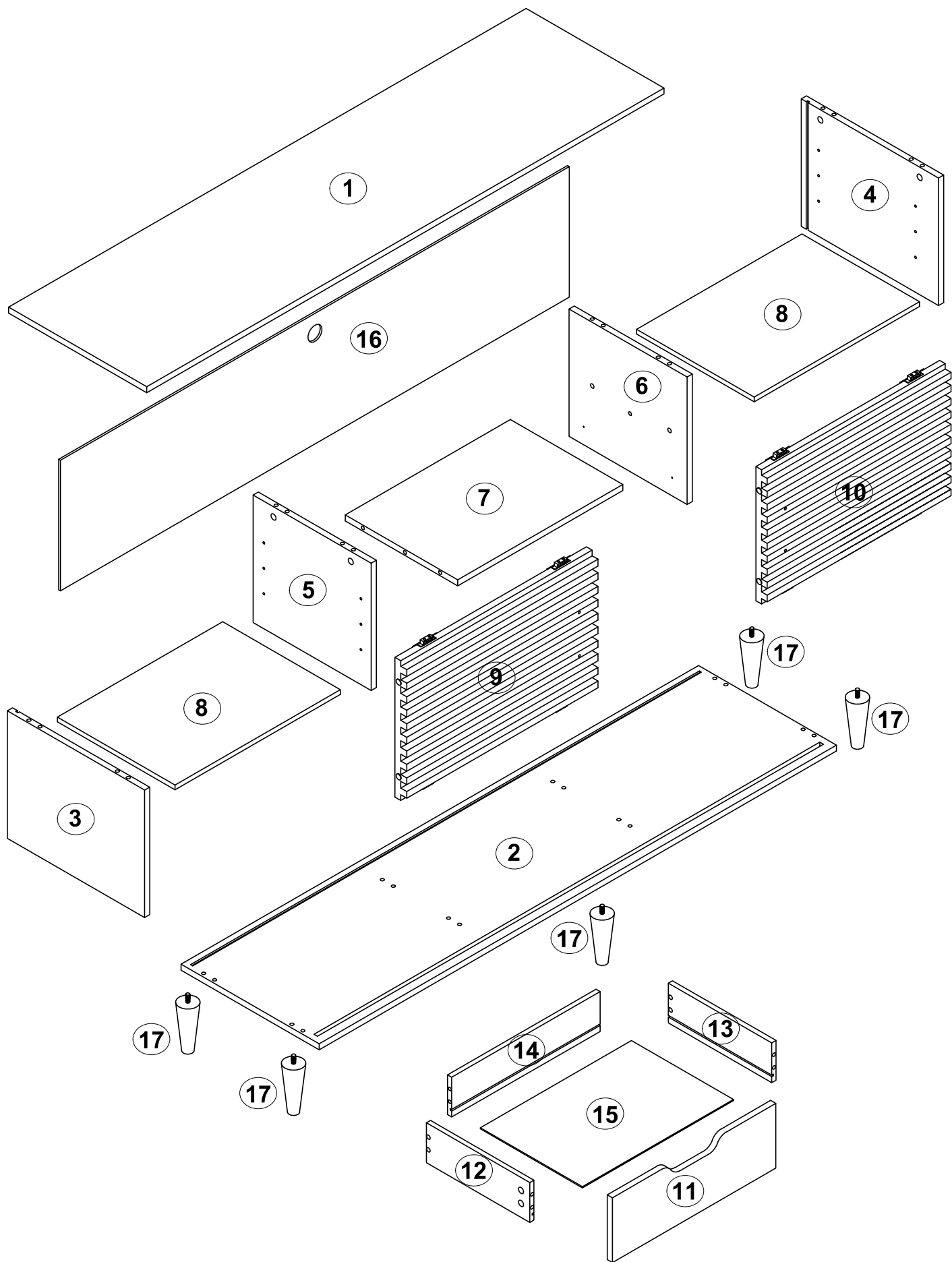
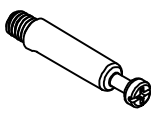






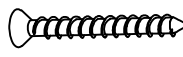
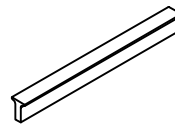
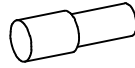
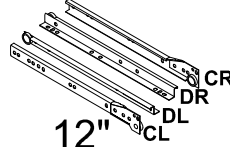
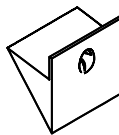

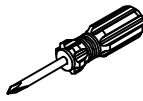


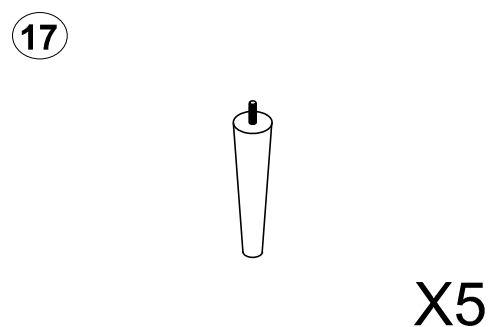
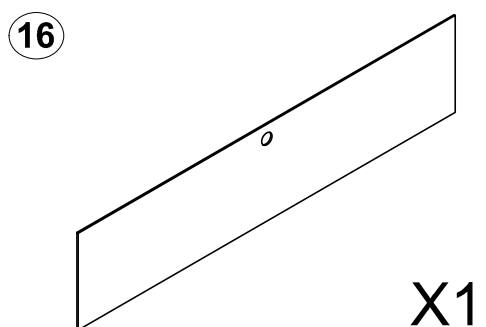
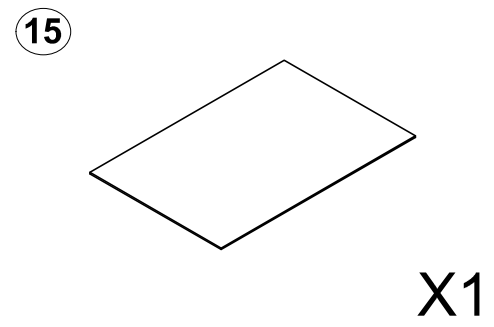
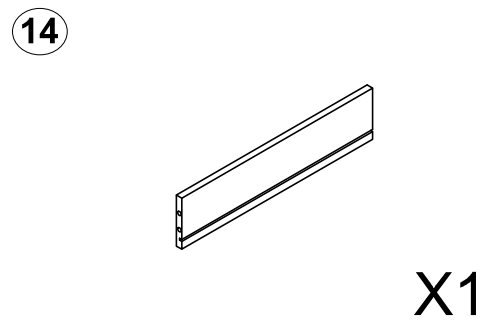
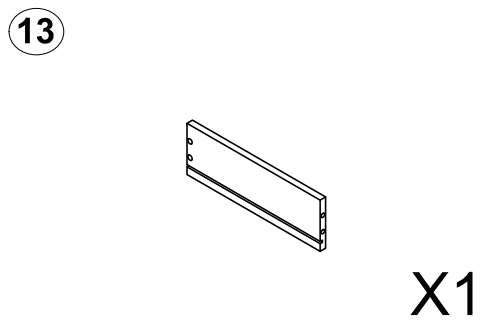
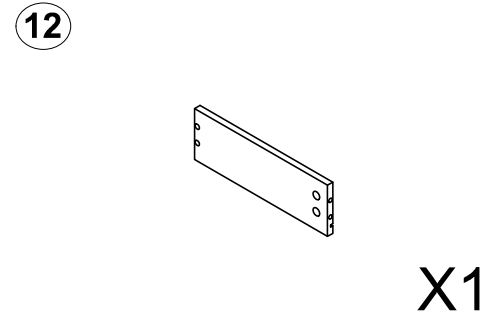
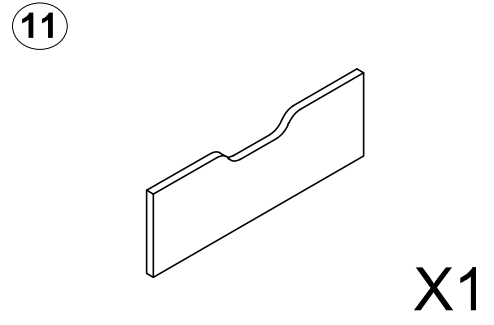
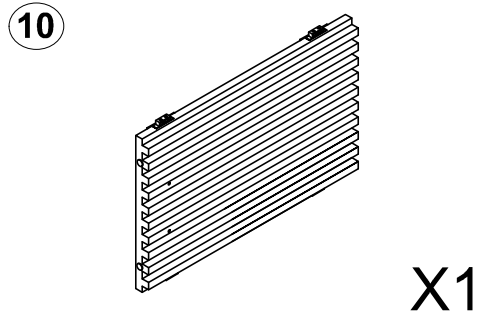
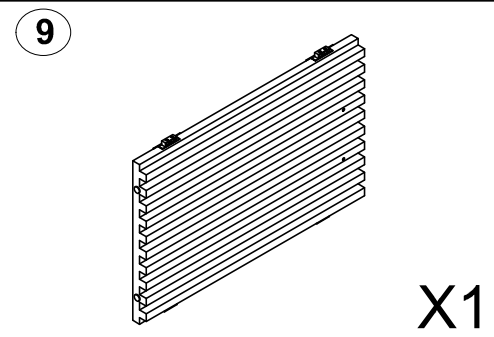
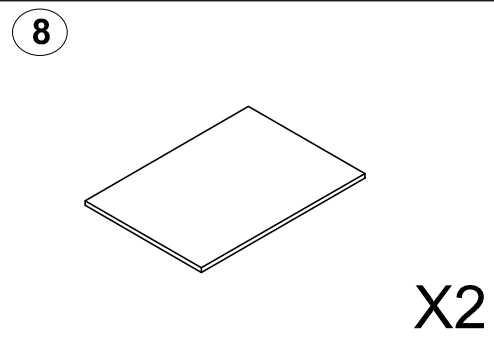
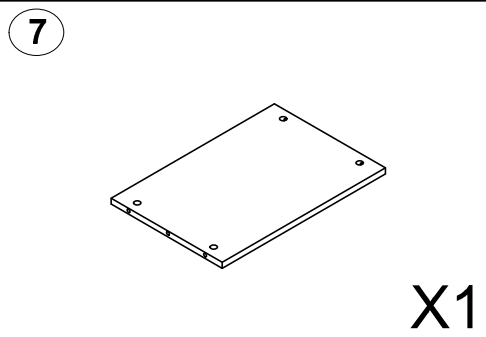
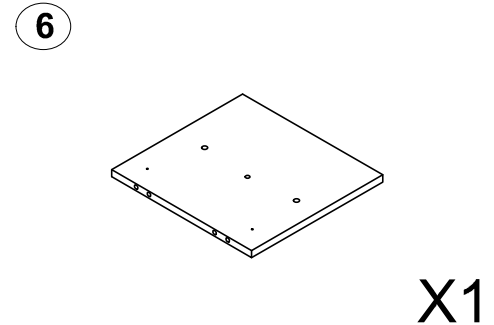
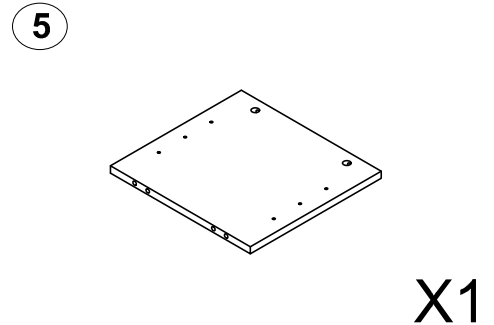
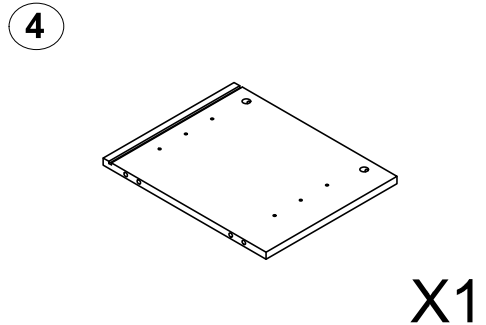
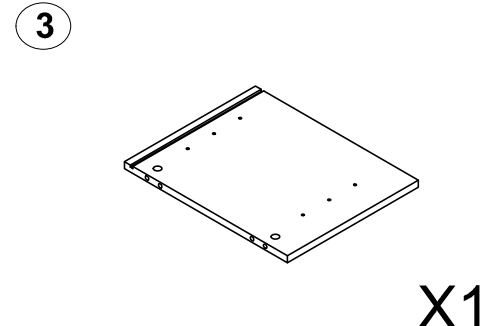
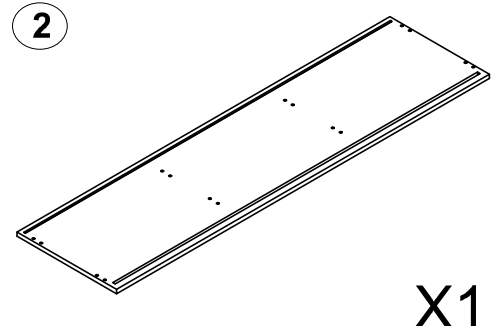
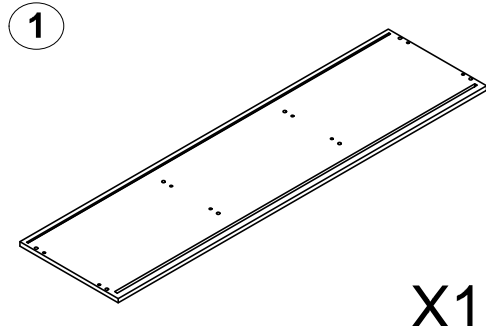
ASSEMBLING INSTRUCTION



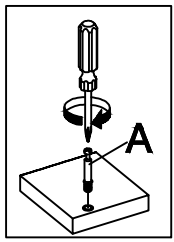


A		16
B	 Ø15*12mm	12
C	 Ø15*10mm	4
D	 Ø8*30mm	18
E	 M3*14mm	16
F	 M7*50	8
H	 M4*34mm	4

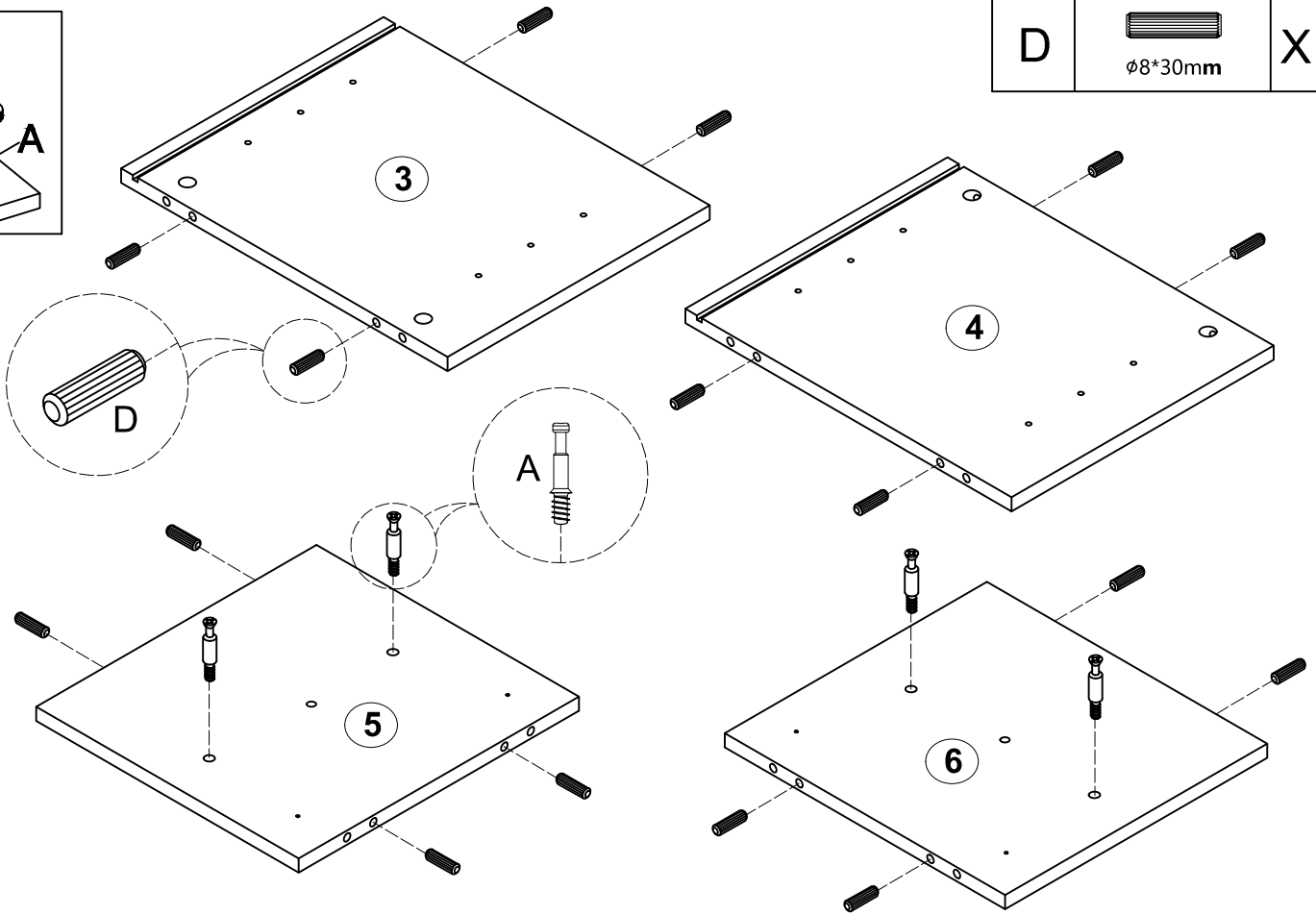
I	 M4*35mm	4
J		2
K		8
L	 12"	1
M		8
N		16
O		1



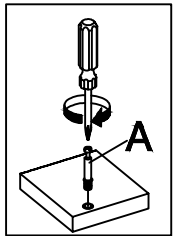
Step:1



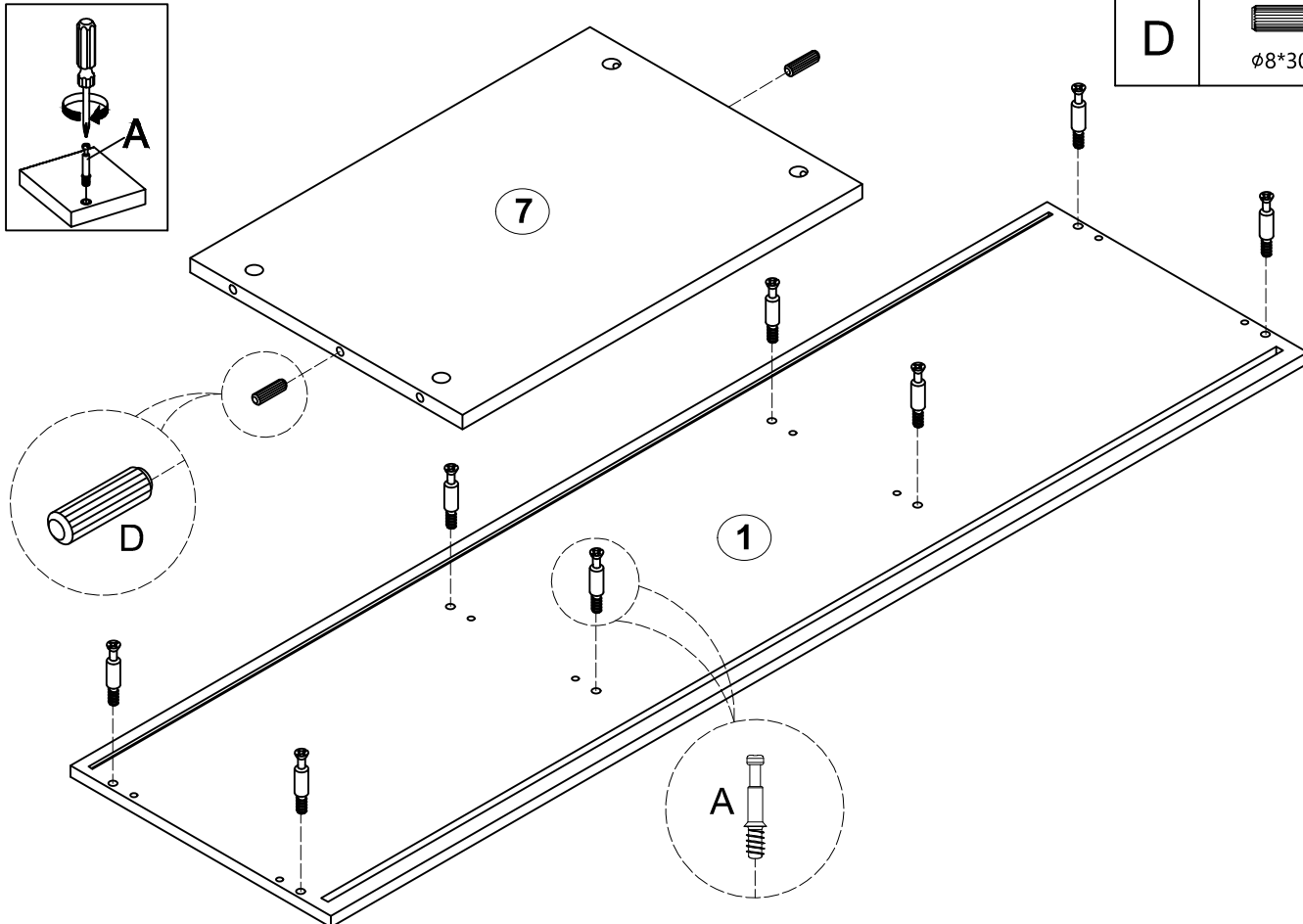
A		X4
D	 ø8*30mm	X16



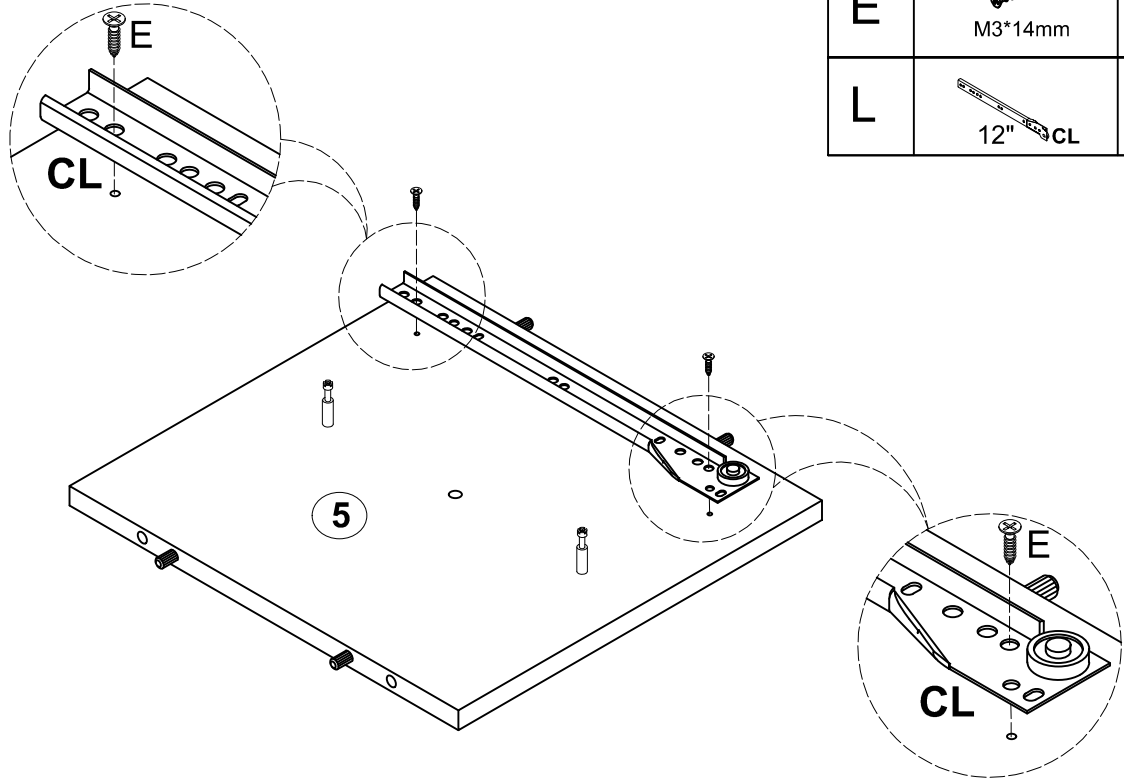
Step:2

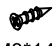



A		X8
D	 ø8*30mm	X2

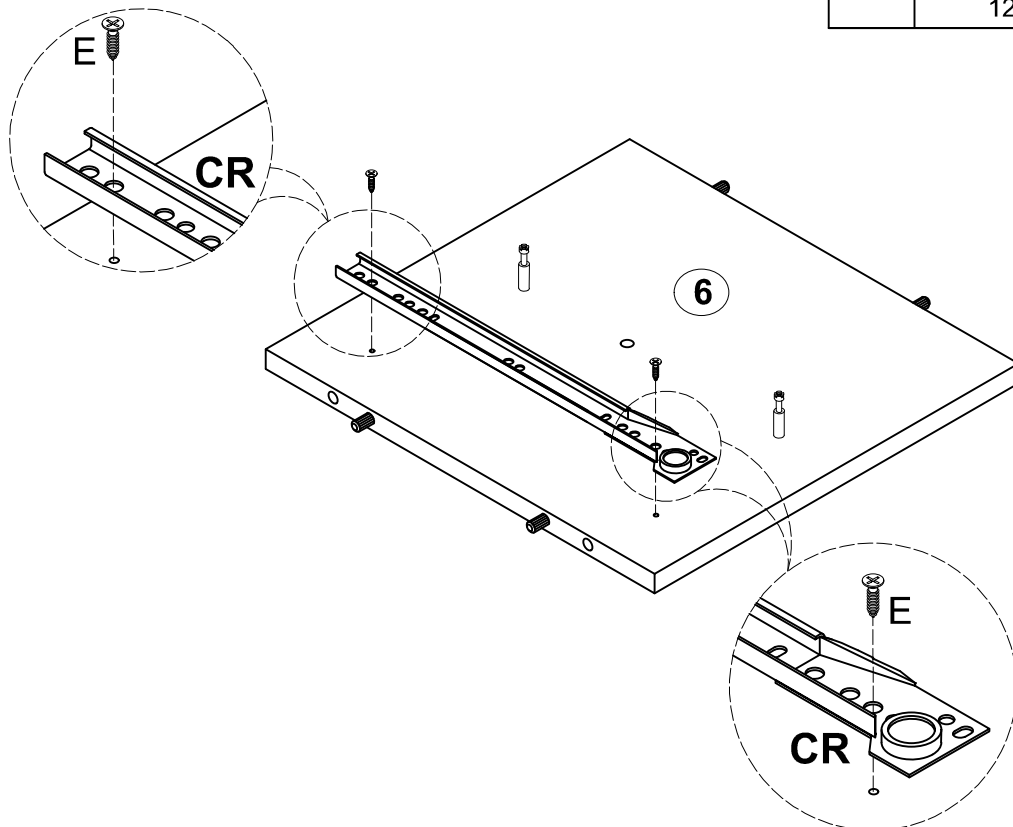




Step:3



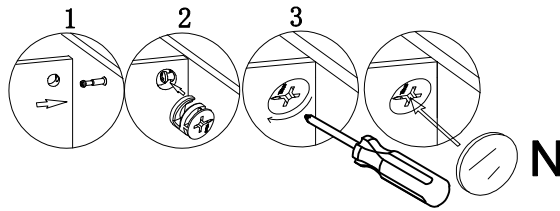
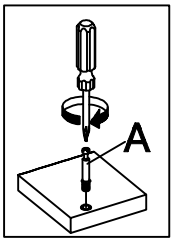
E	 M3*14mm	X2
L	 12" CL	X1


Step:4

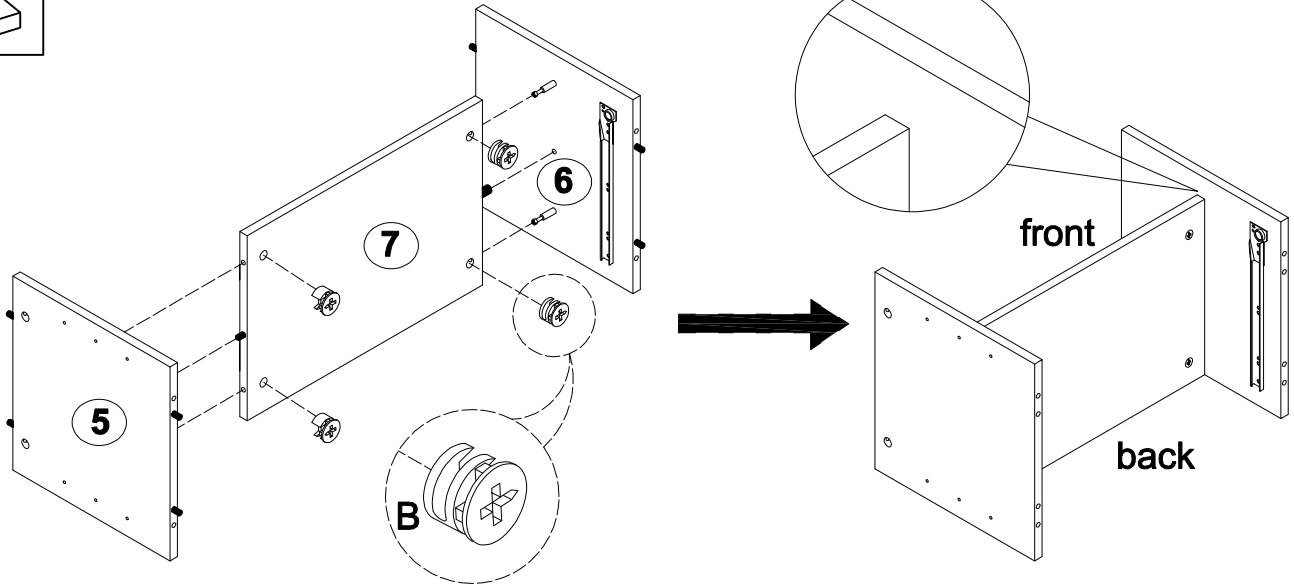


E	 M3*14mm	X2
L	 12" CR	X1

Step:5




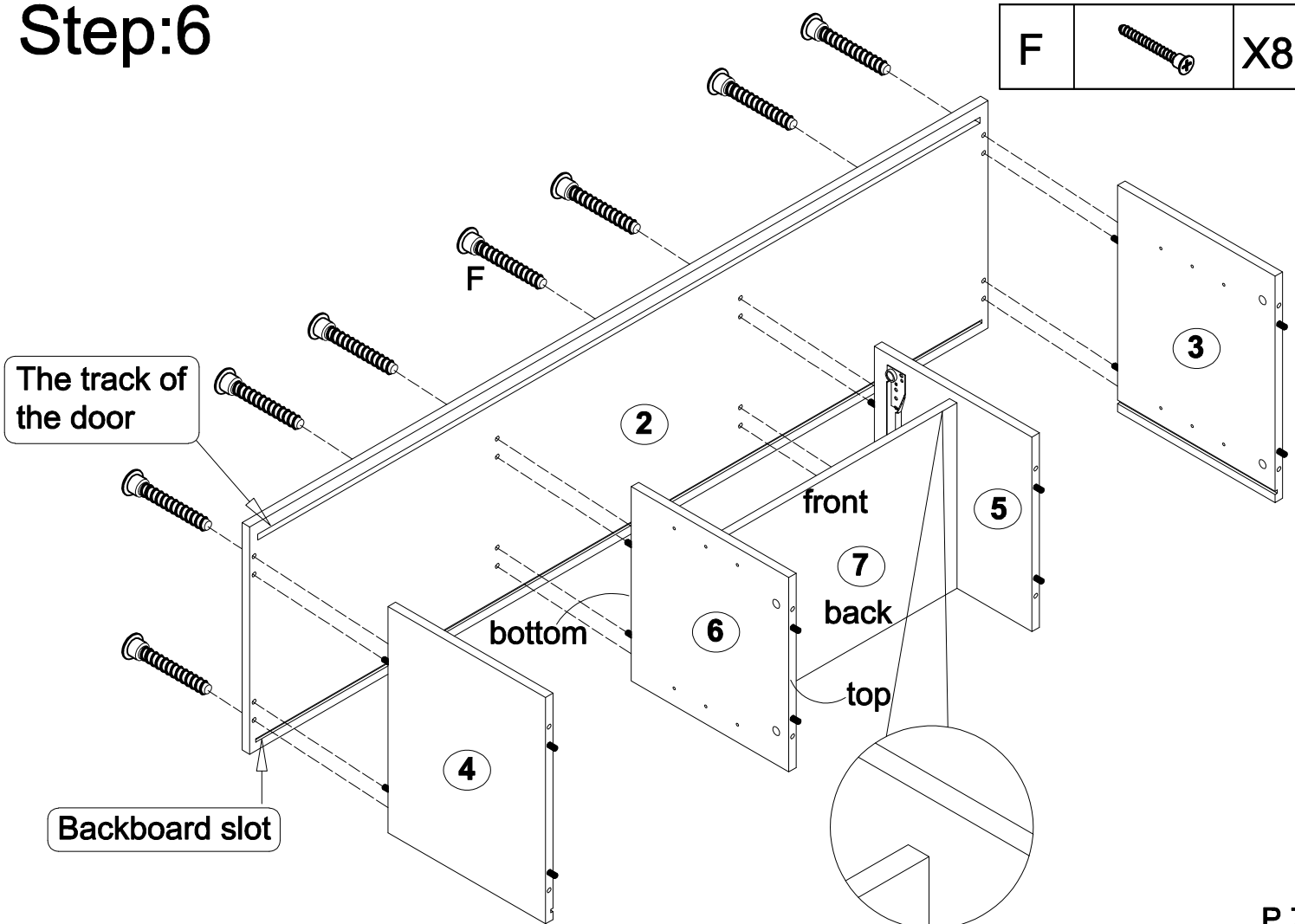
B	 Ø15*12mm	X4
---	--	----



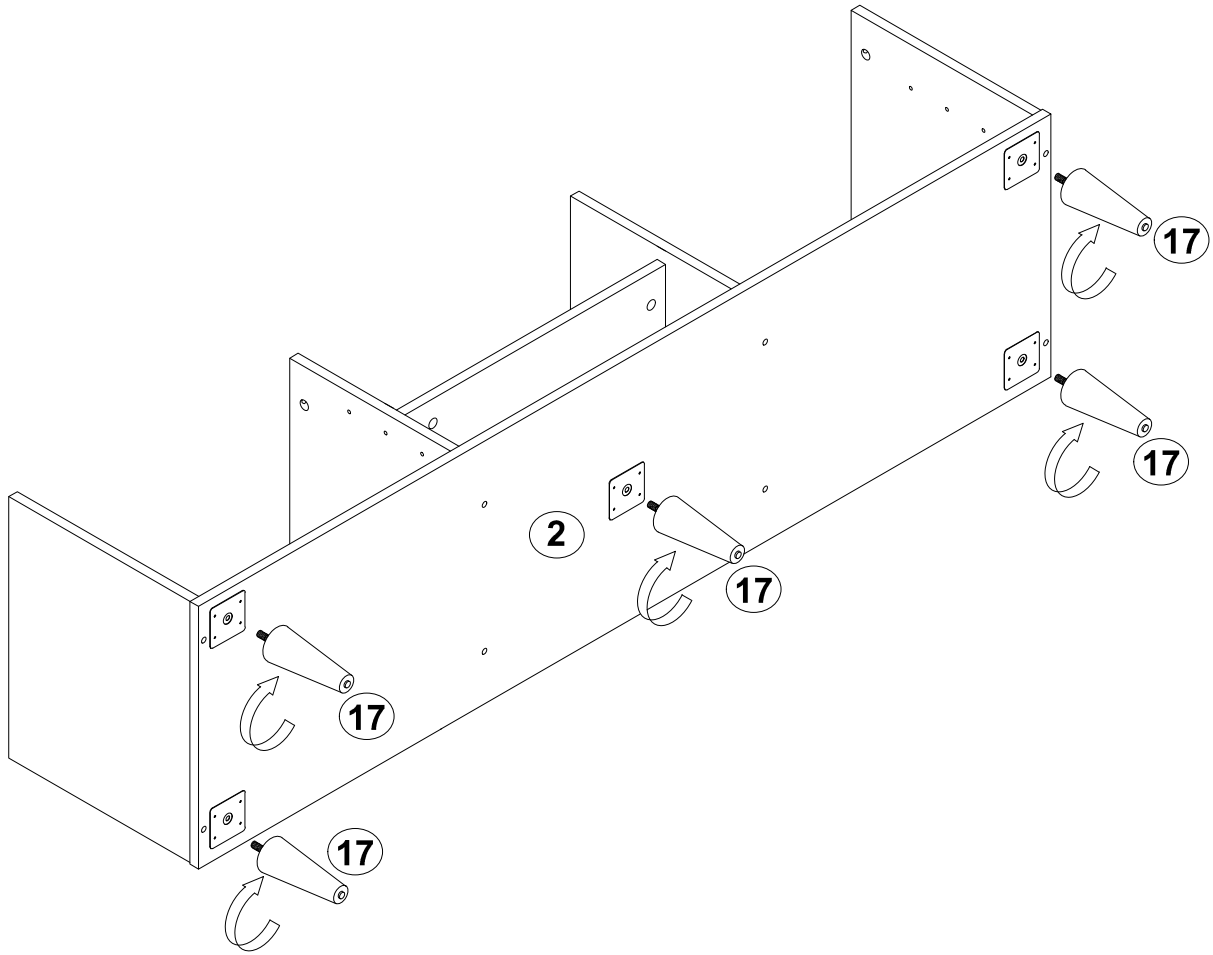
Please note: This step is very prone to installation errors. Please check again.
 There is a reserved space of about 1.5cm in the front, but no reserved space in the back.

Step:6

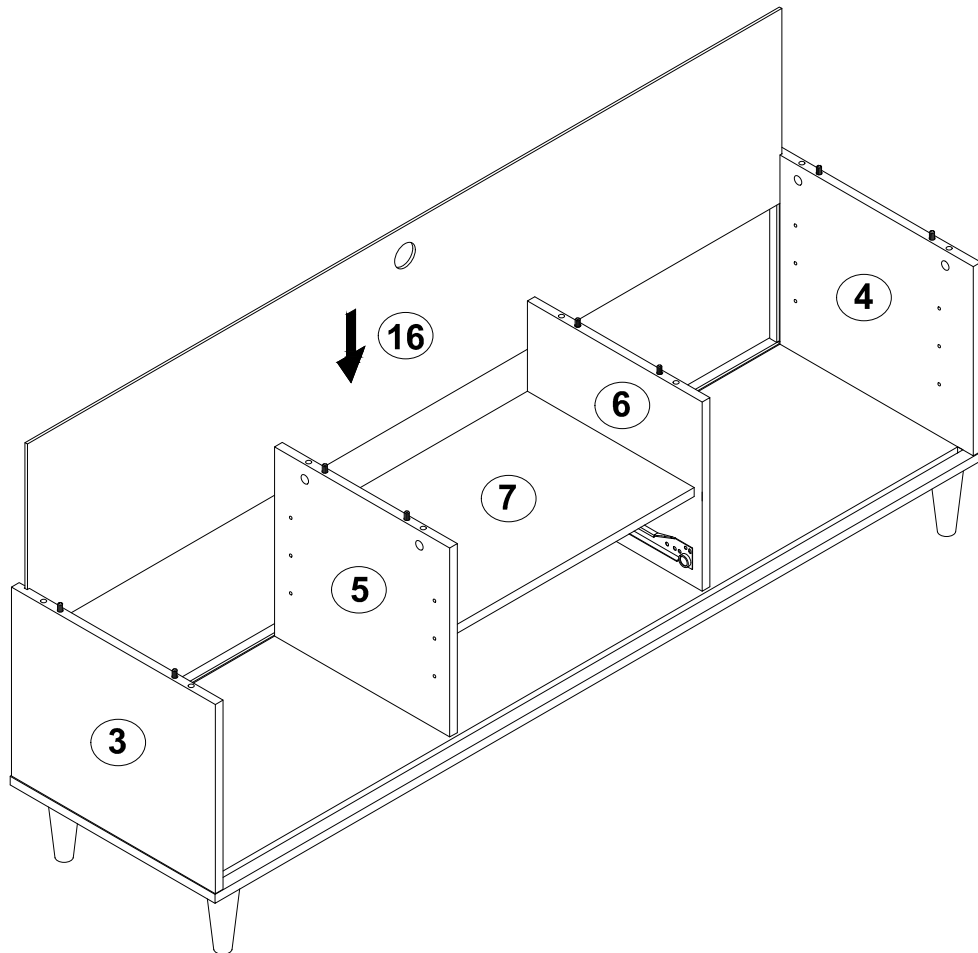
F		X8
---	---	----




Step:7

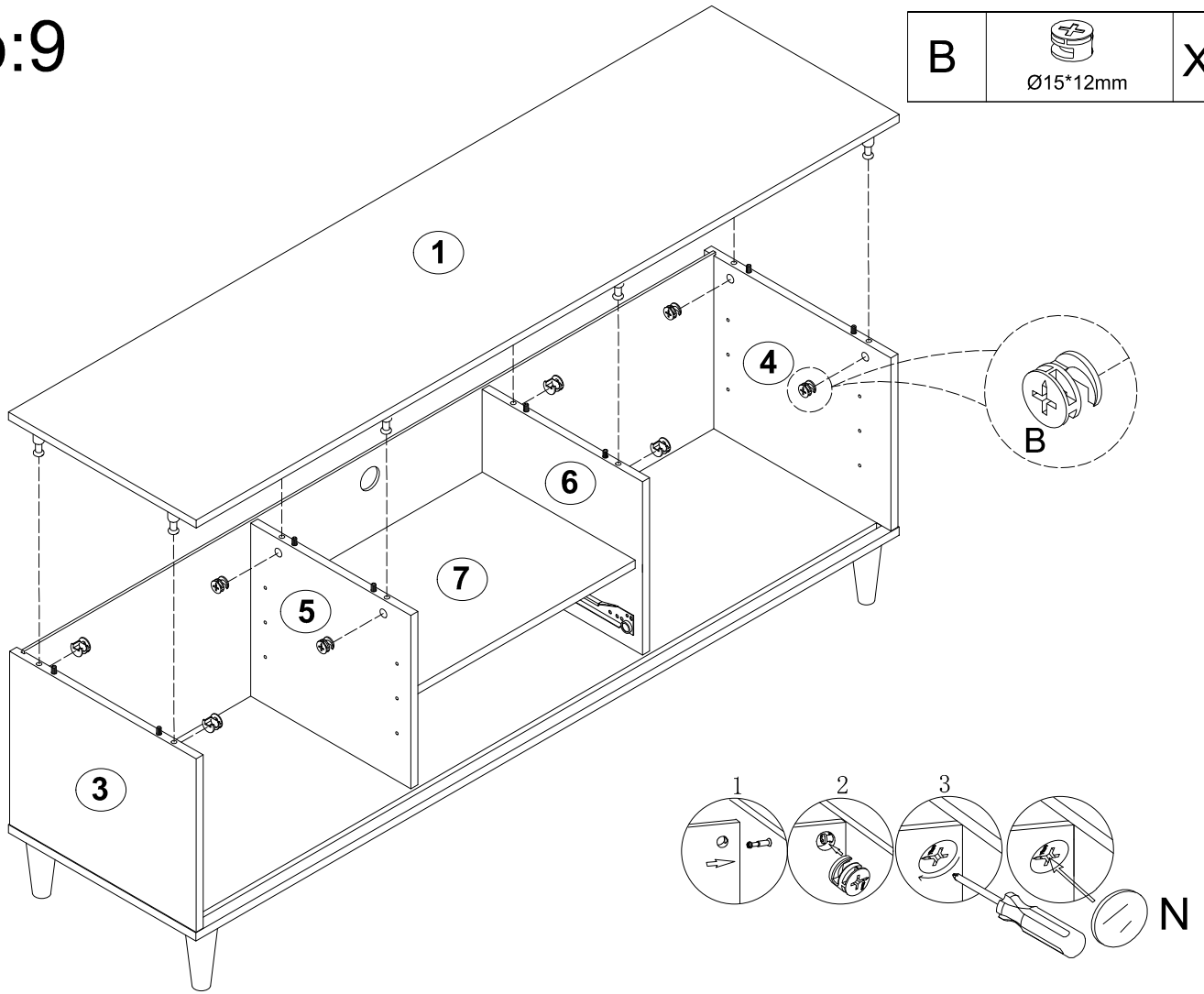


Step:8




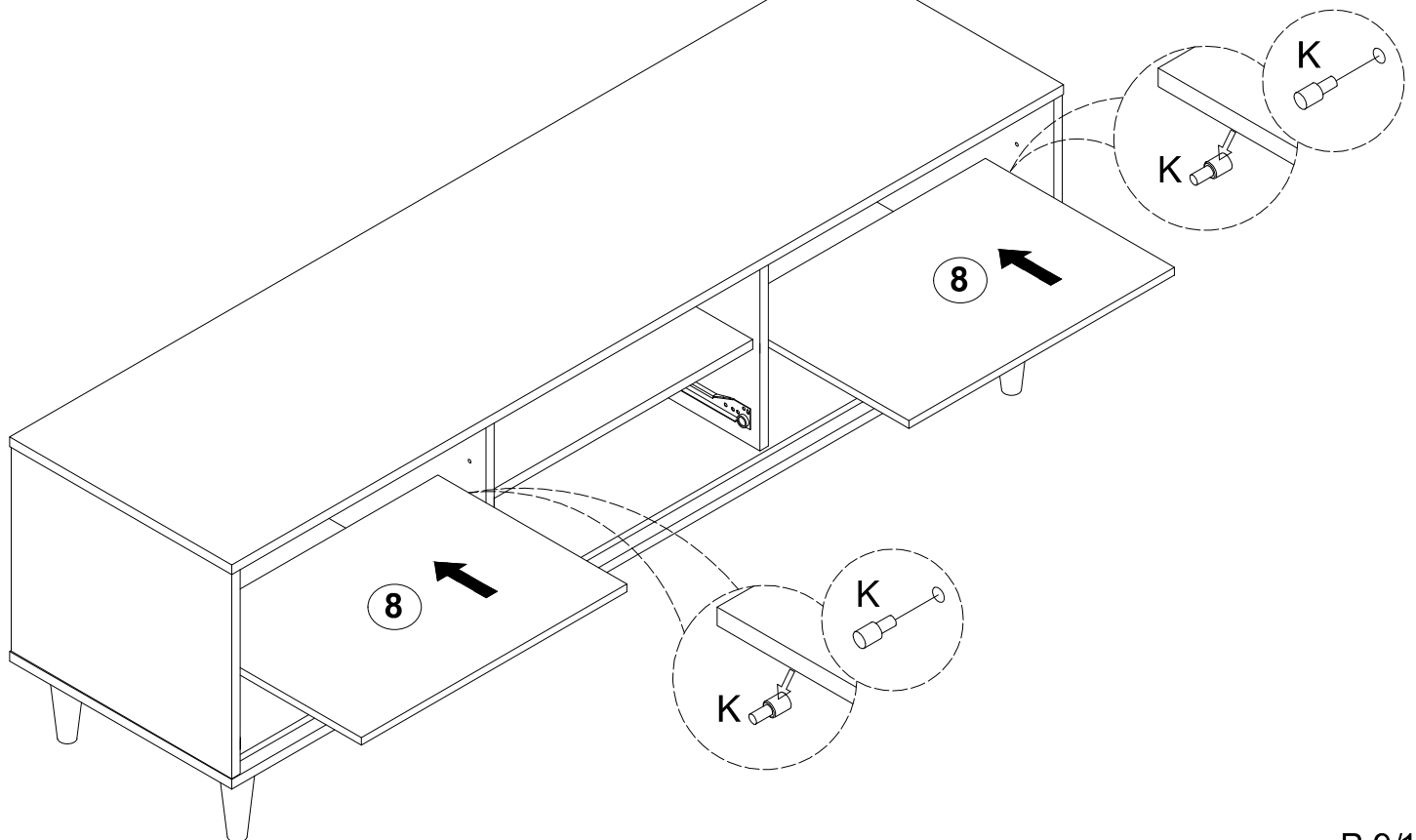
Step:9

B	 Ø15*12mm	X8
----------	--	-----------




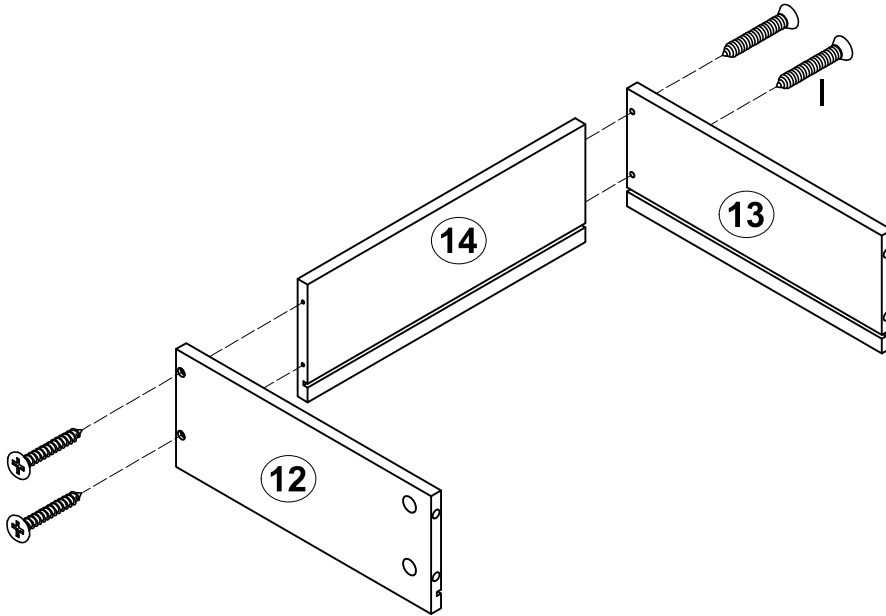
Step:10

K		X8
----------	---	-----------

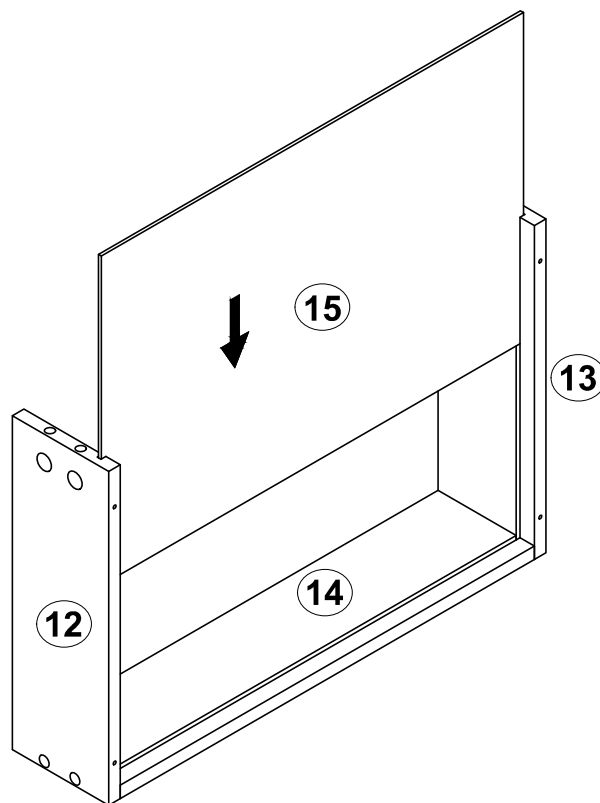


Step:11

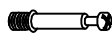
I	 M4*35mm	X4
---	--	----

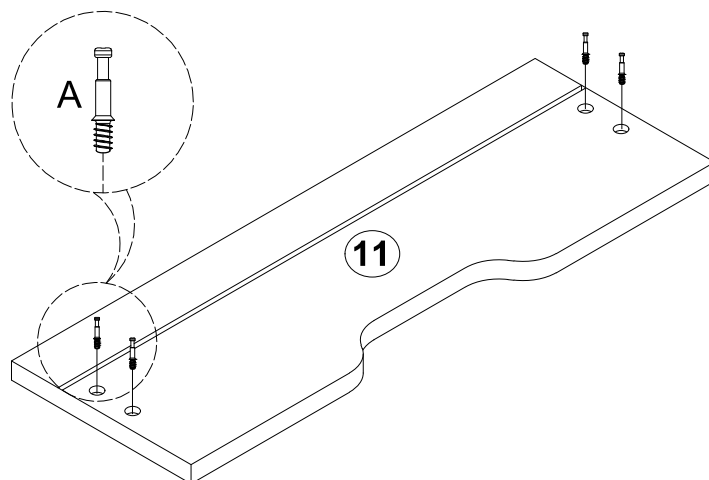
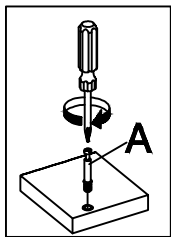


Step:12

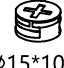


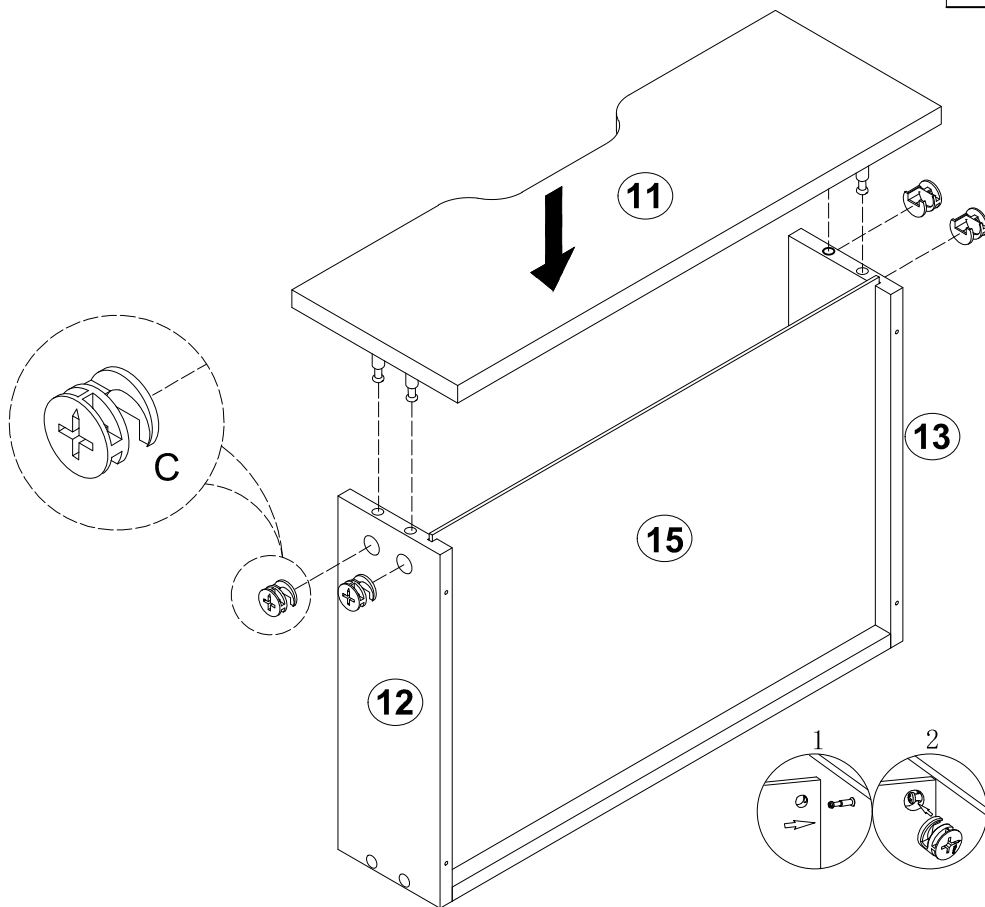
Step:13

A		X4
---	--	----

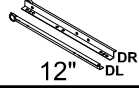
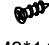


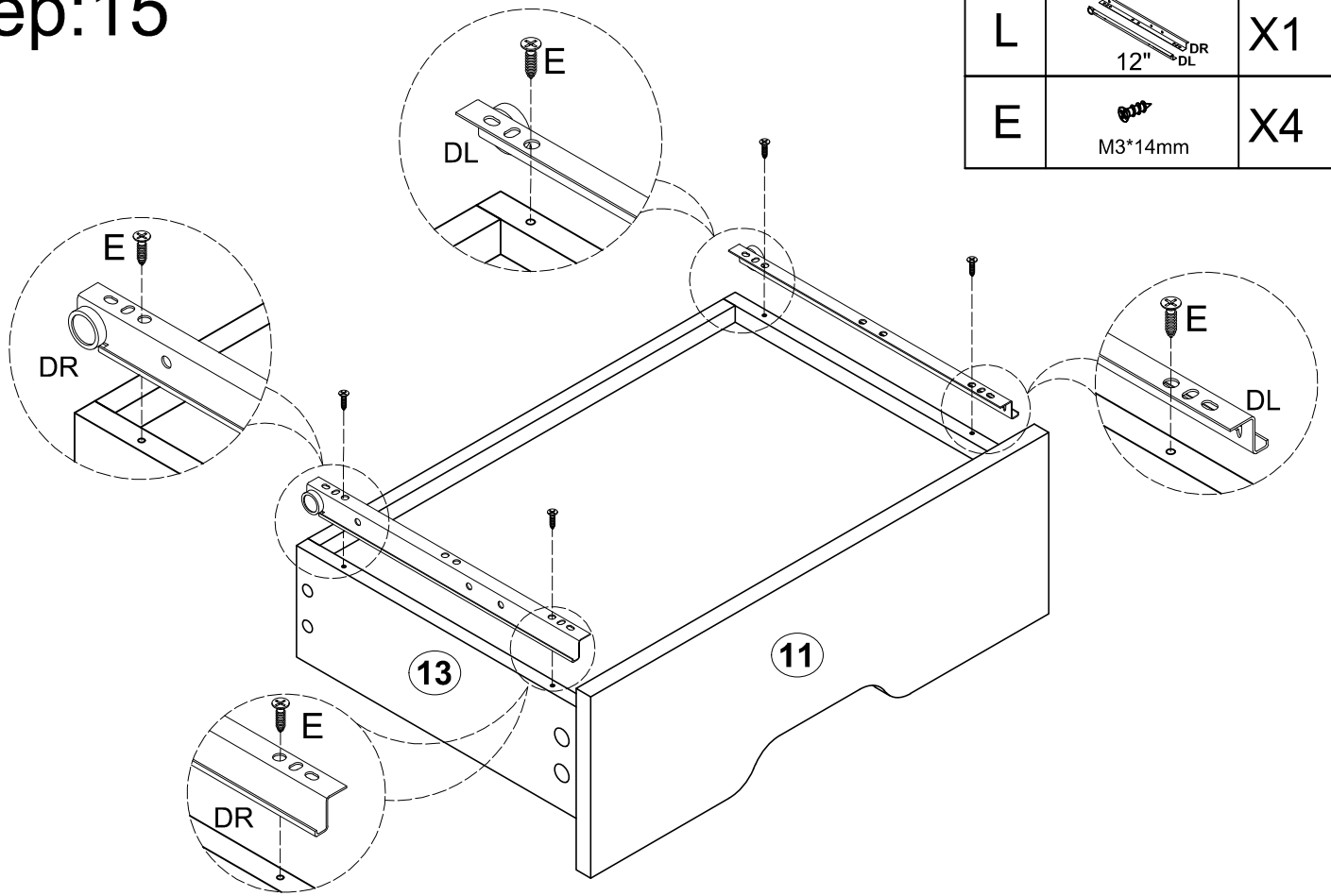
Step:14

C	 φ15*10mm	X4
---	---	----





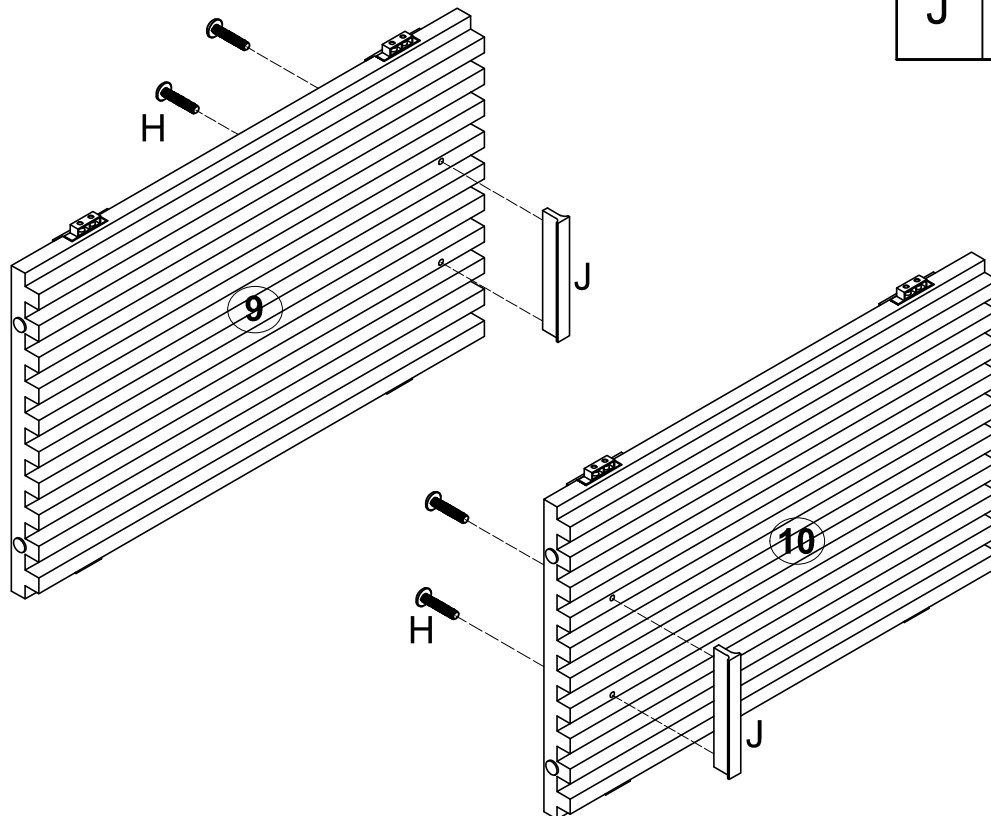
Step:15

L	 12" DR DL	X1
E	 M3*14mm	X4

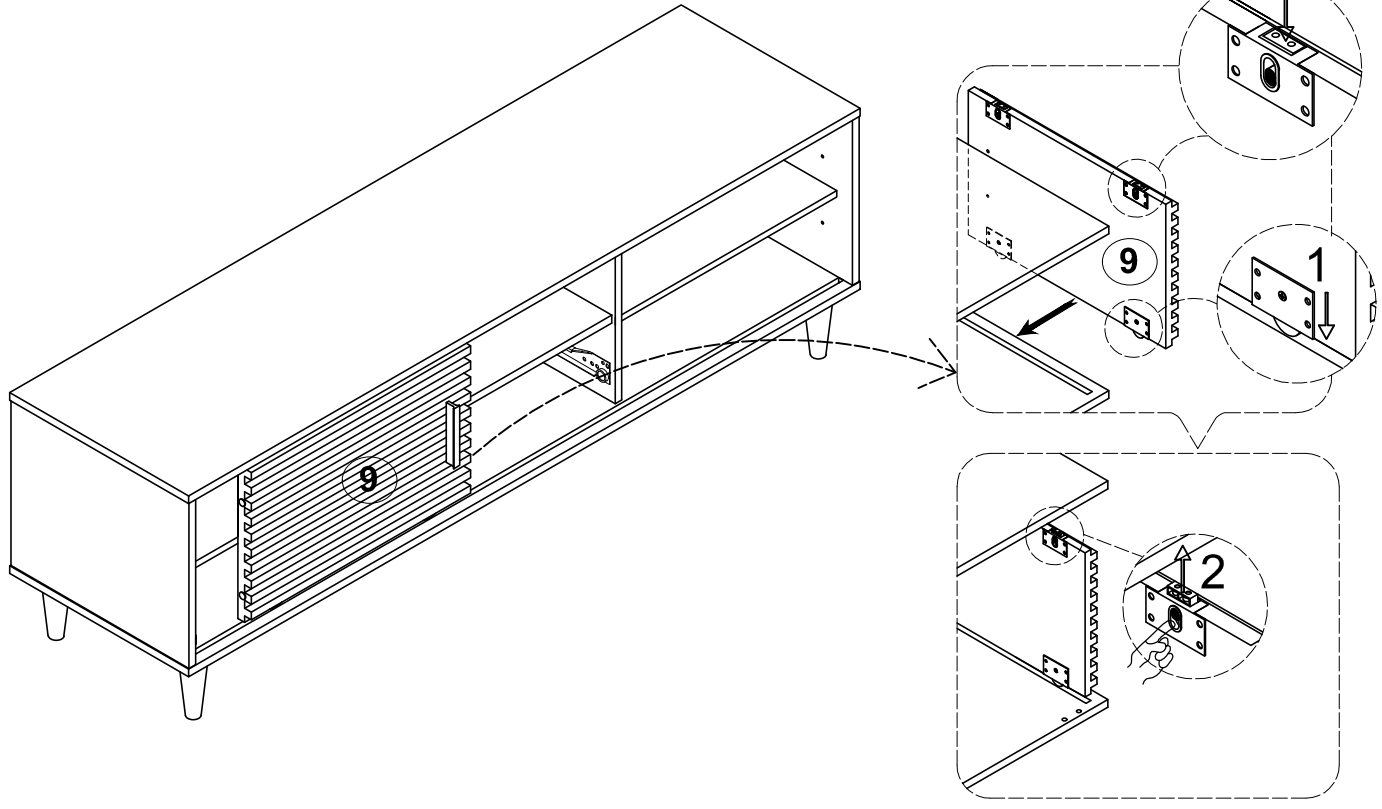


Step:16

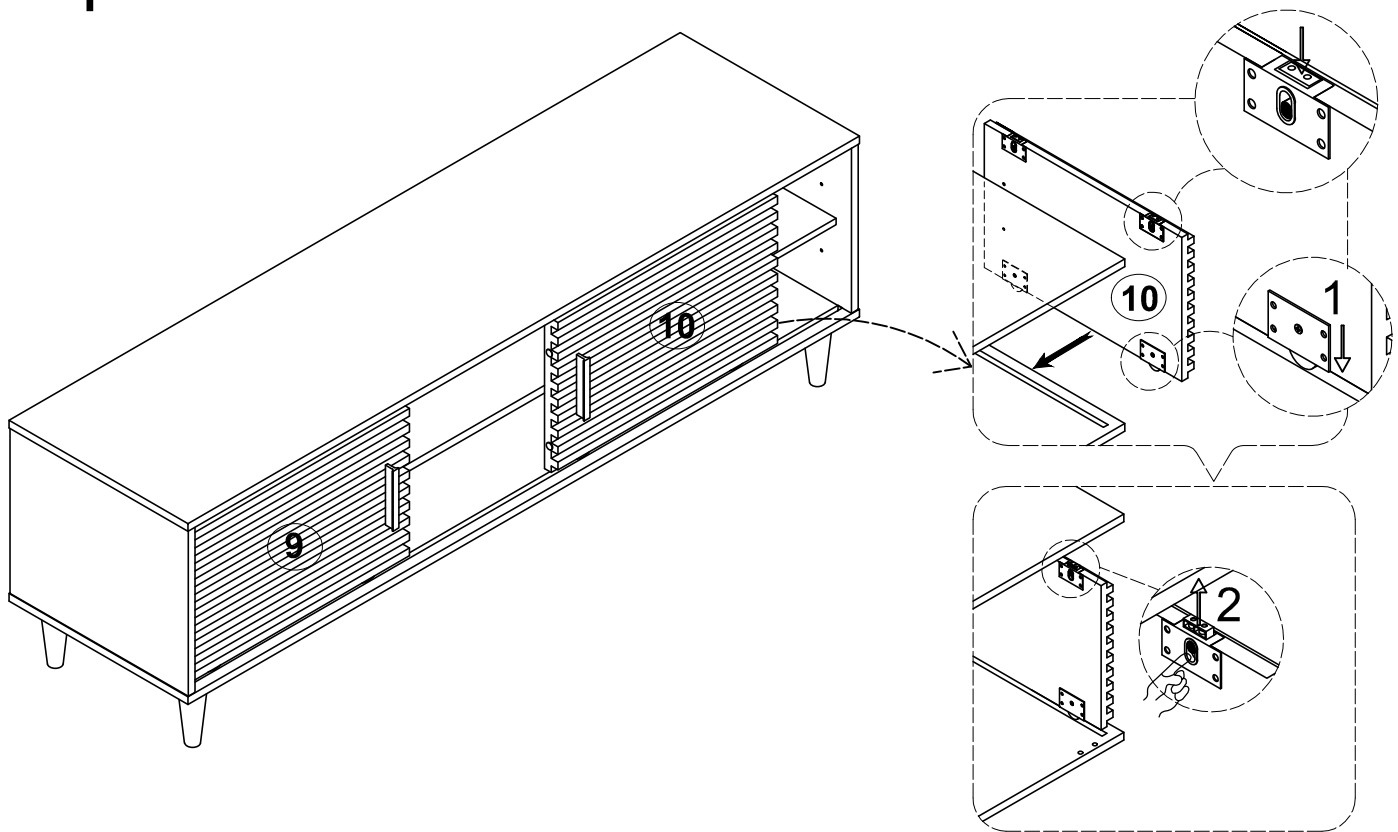
H		X4
J		X2



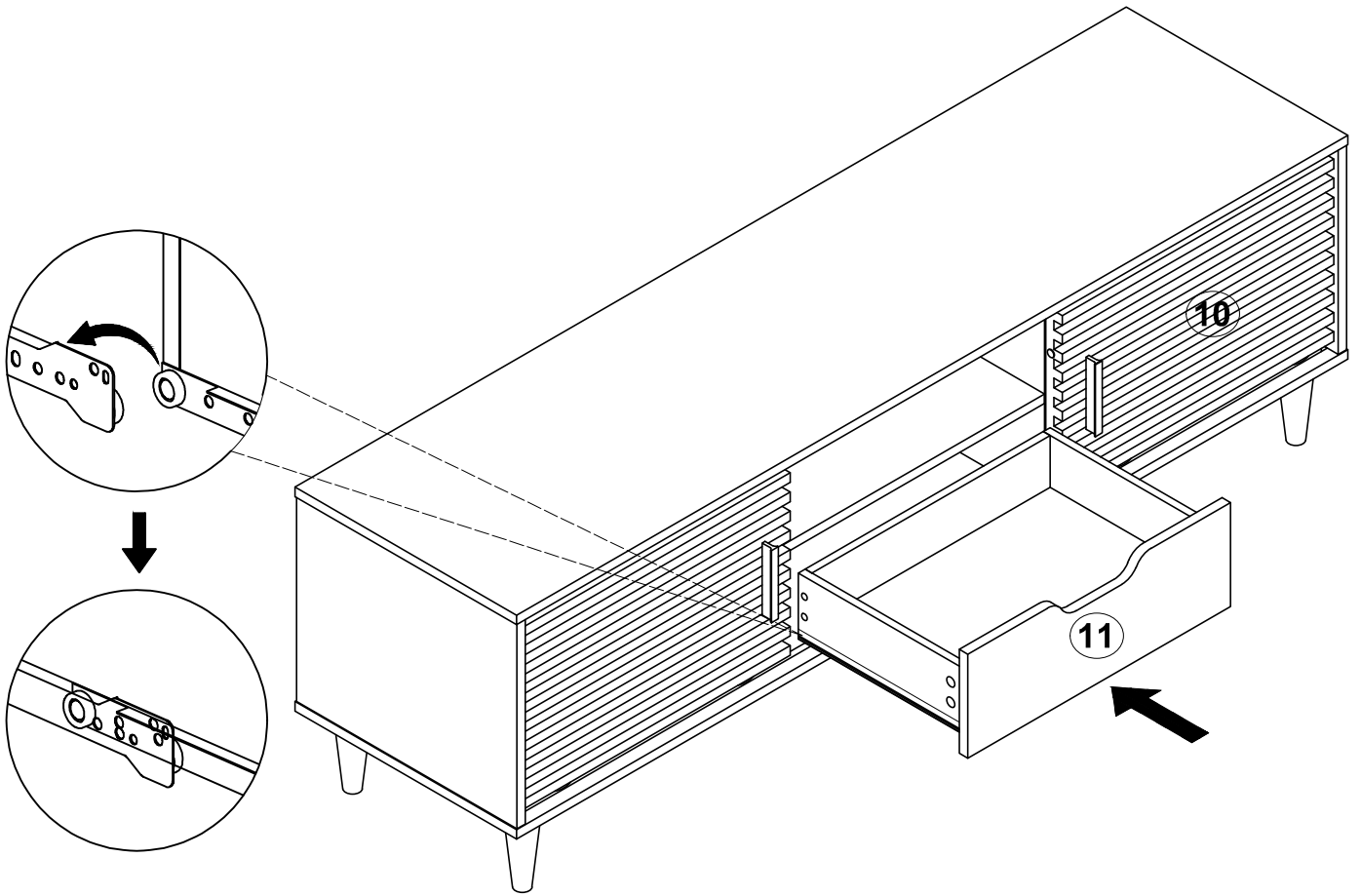
Step:17





Step:18



Step:19



Step:20

E	 M3*14mm	X8
M		X8

