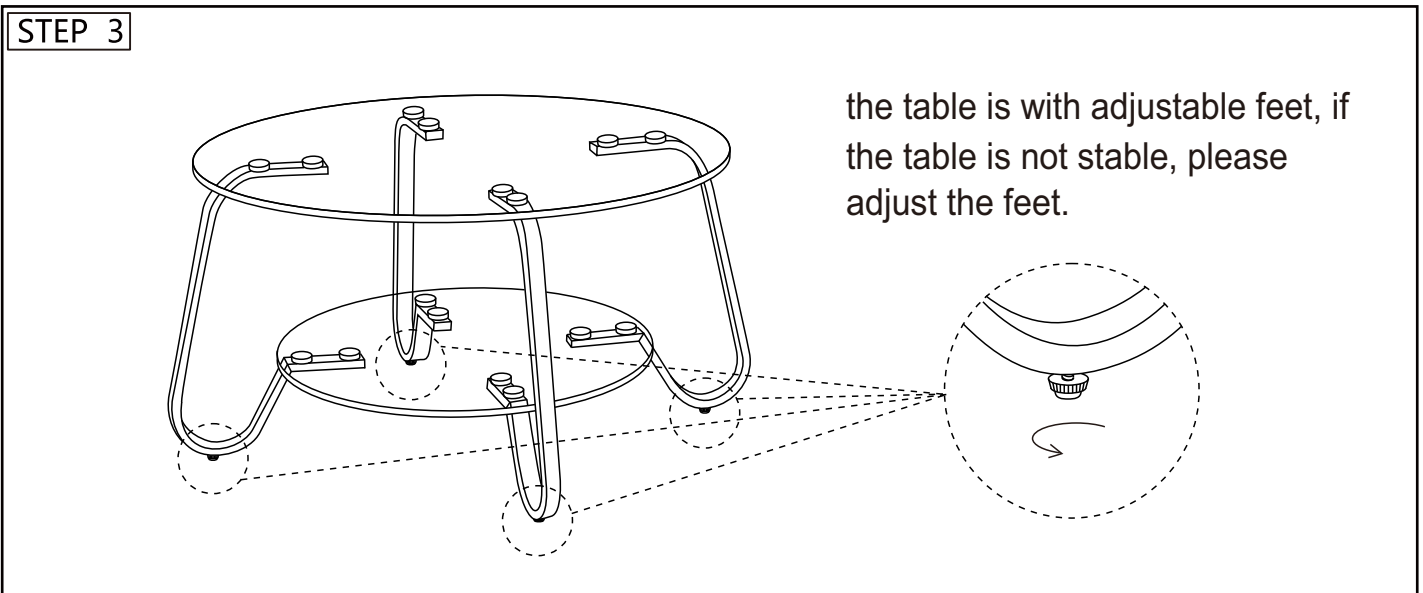
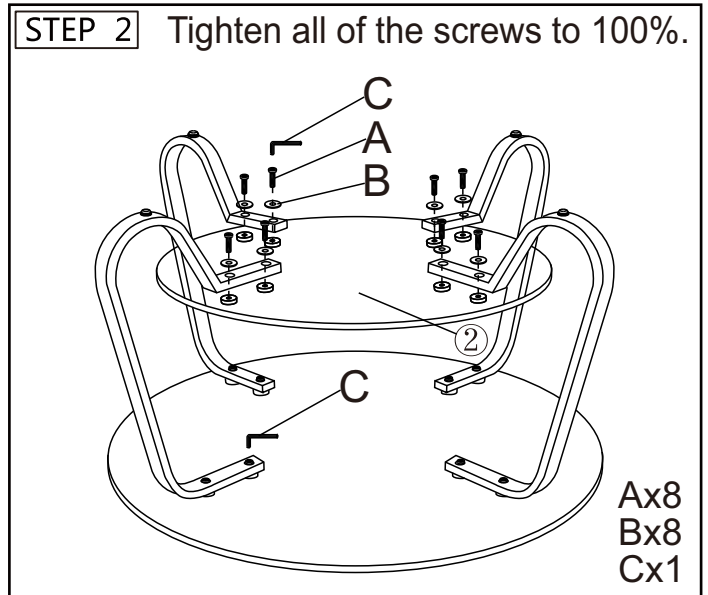
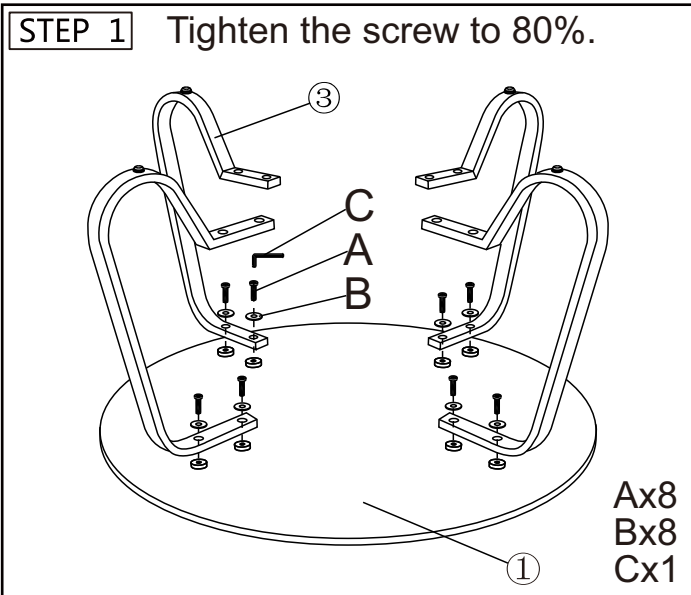
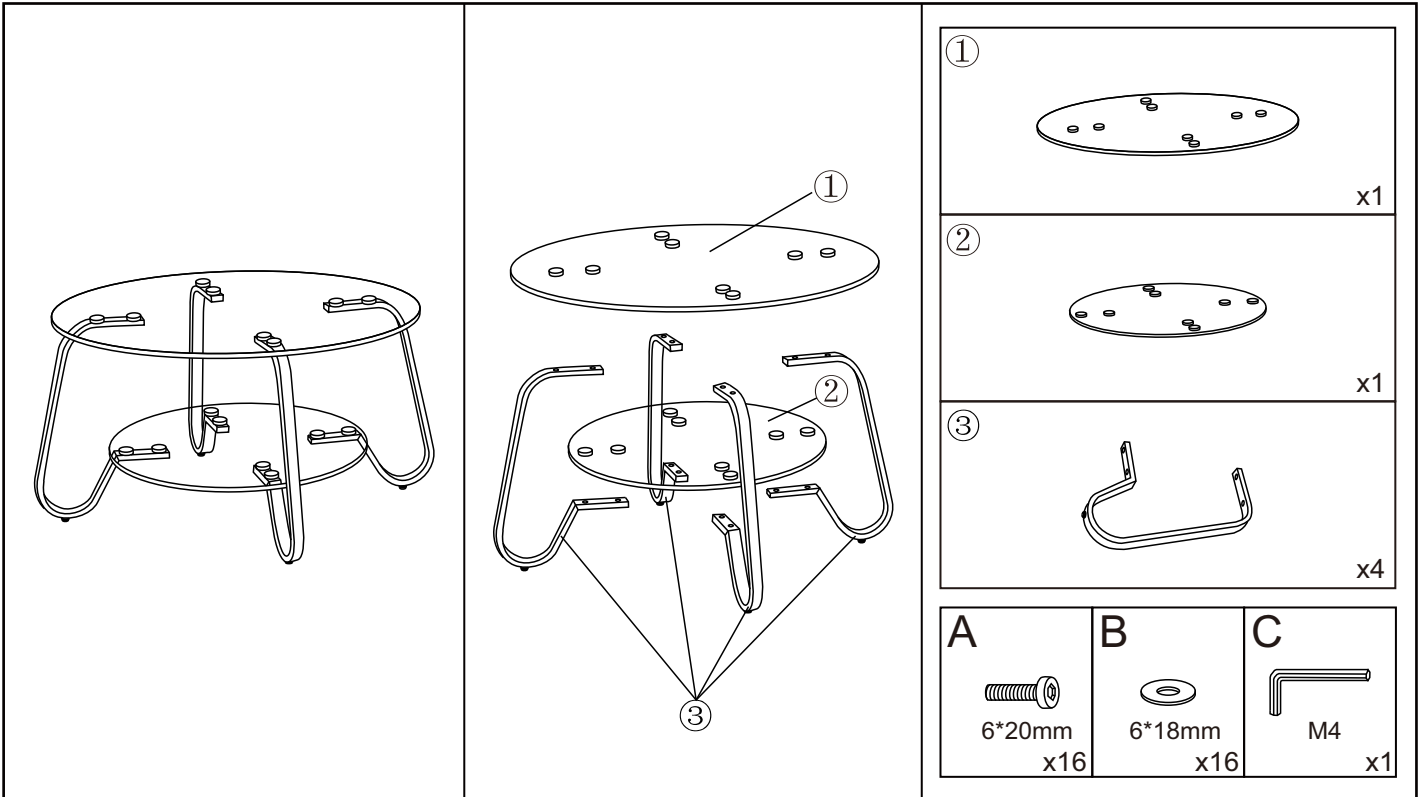


# ASSEMBLY INSTRUCTIONS



## 【Kindly Remember】

If the products you receive in this package are not all of the items you purchased, please be patient. The rest of the products will be delivered by other packages.

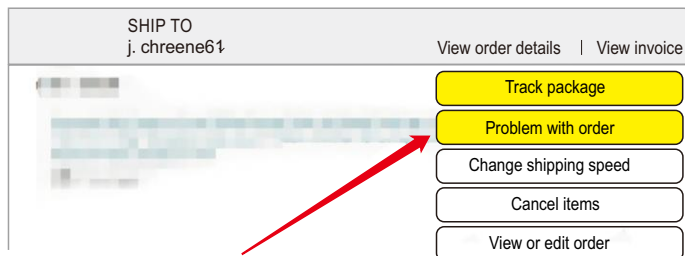
If you would like to know where the rest of the package has arrived, please contact us



### You can contact us in the following ways:

1. Find your order in the list and Select **【Problem with order】**.

2. Choose your topic from list displayed and Select **【Contact seller】**.



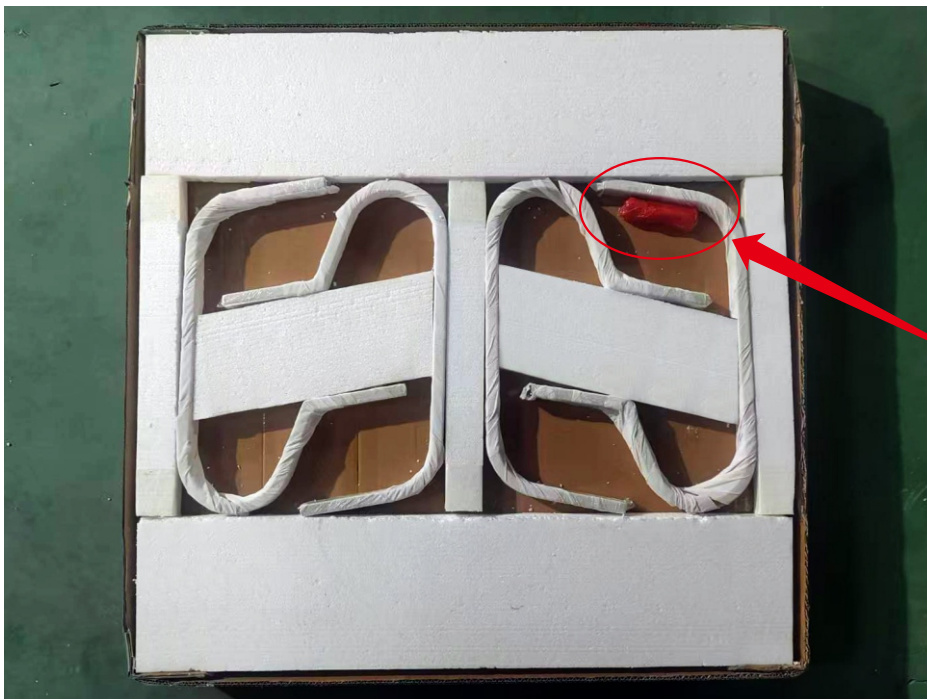
#### **i** You are not eligible to request a refund

Sorry, this order is not eligible for a refund under the A-to-z Guarantee because the m updates on your package shipment.

#### What would you like to do?

- Request return
- Contact seller

3. We will get back to you immediately as soon as we receive your message.



**Location of Hardware Package**