

A 66(0 % < ,1 6758&7,2 1

- **Twin**(ZBS01/02).....

[CLICK HERE](#)

Size: 75"L×39"W/ 80"L×39"W

- **Full**(ZBS03)

[CLICK HERE](#)

Size: 75"L×54"W

- **Queen**(ZBS04)

[CLICK HERE](#)

Size: 80"L×60"W

- **King** (ZBS05)

[CLICK HERE](#)

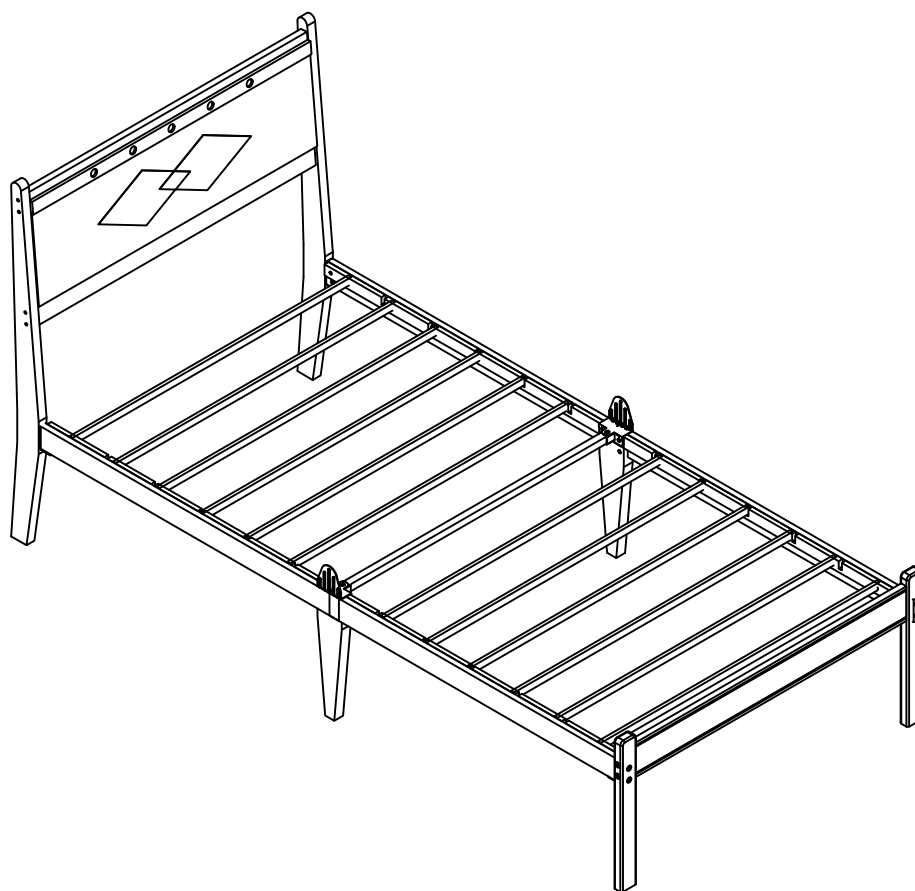
Size: 80"L×76"W



ASSEMBLY INSTRUCTION

SIZE: TWIN/TWIN XL(01/02)

Notice: This instruction manual applies to twin/twin xl size.



Excellent Customer Service-Please Contact Us Before

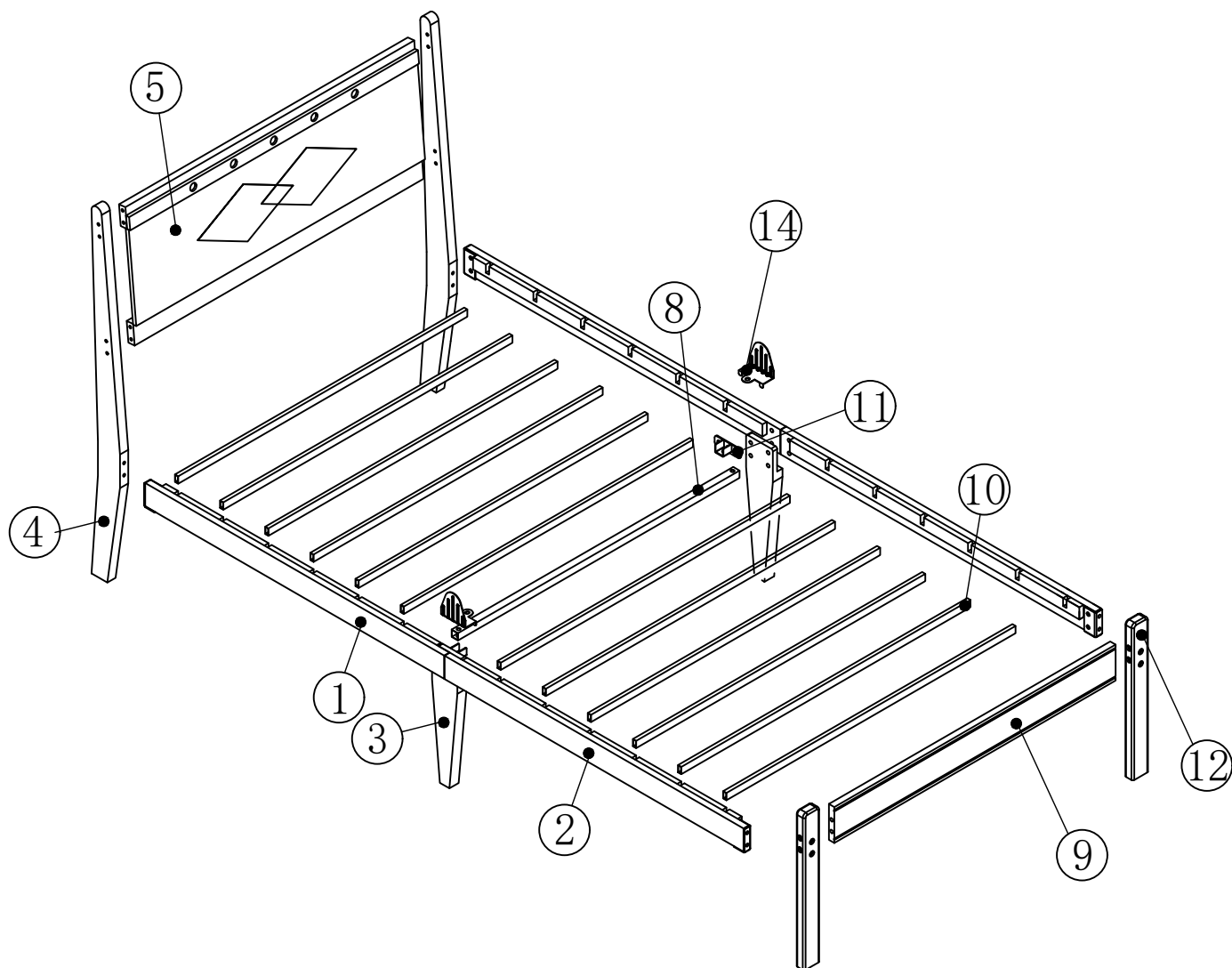
5HWXUQ 2XU 3URGXFW

All of our products have been tested before packed, but If any parts are missing or damaged, please contact us,

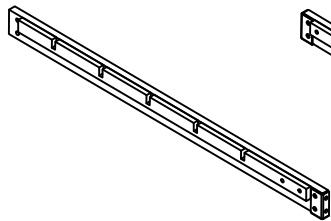
ZH ZLOO UHSO\ WR \RX \$6\$3 :KHQ UHSODFLQJ SDUWV RU KDUGZDUH S
VHOOHU ,W ZLOO EHWWHU WR LQFOXGH DSSOLFDEOH SKRWRV RU SUR

Parts & Hardware

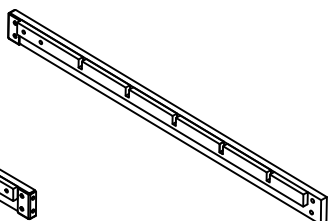
1. This page lists all the items included in this package. Please identify the hardware and individual components before beginning assembly.
2. This model includes only the parts numbered above. Skipped numbers indicate that the part is not used on this model.



Parts & Hardware



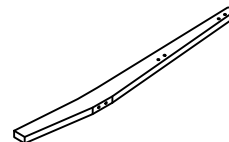
① Left Side Rail
2PCS



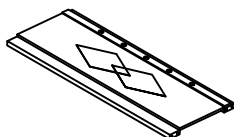
② Right Side Rail
2PCS



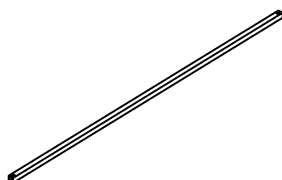
③ Middle Support Leg
2PCS



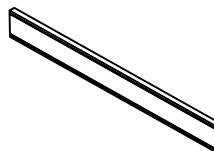
④ Bedposts
2PCS



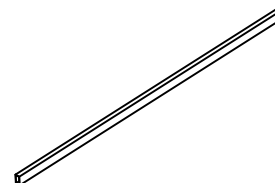
⑤ Headboard Panel-A
1PCS



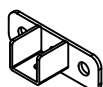
⑧ Center Support Bar
1PCS



⑨ Footboard
1PCS



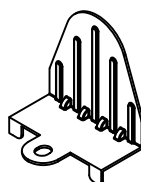
⑩ Slat
12PCS



⑪ Connector-A
2PCS



⑫ Foot of Bed
2PCS



⑭ Mattress Gasket
2PCS



A×10PCS
M8*27
+1(spare)



B×4PCS
M8*36
+1(spare)



C×4PCS
M6*75
+1(spare)



F×4PCS
M8
+1(spare)



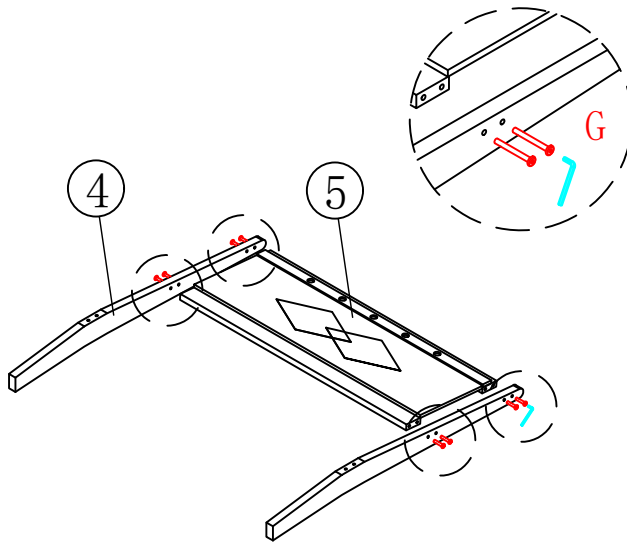
G×8PCS
M6*33
+1(spare)



H×4PCS
M8*70
+1(spare)



Installation



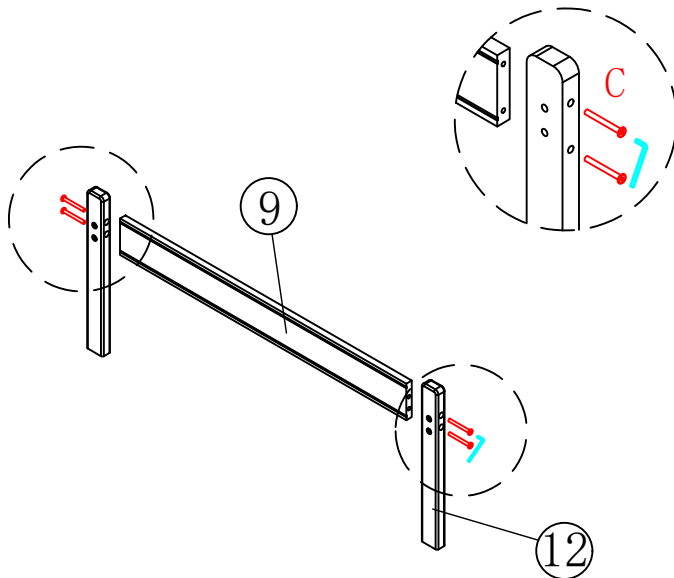
Step 1

Connect Headboard Panel

- Attach Headboard Panel-A (5) to the bedposts (4) using bolts (G).



G×8PCS
M6*33



Step 2

Footboard Assembly

- Position the footboard (9) between the two foot of bed (12).
- Insert the bolts (C) through the pre-drilled holes as shown in the diagram and hand-tighten all bolts first to ensure proper alignment .

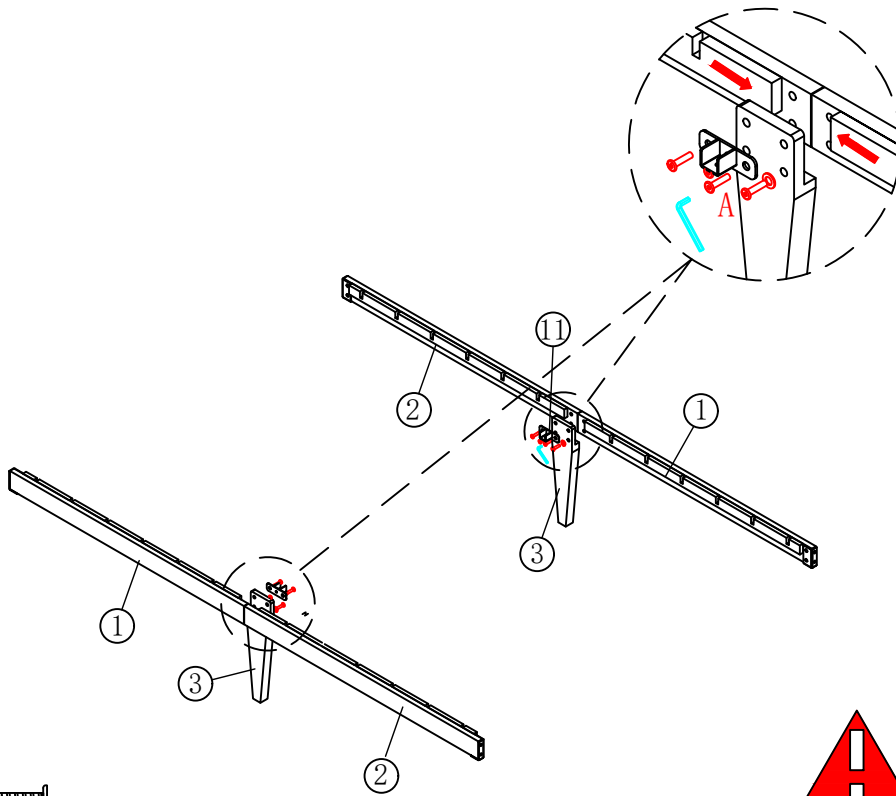


C×4PCS
M6*75

Step 3

Assemble of Side Rails

- Connect the left side rails ①, left side rails ② and middle support leg ③ using connectors-A ⑪ and eight bolts (A) and four washer (F). The washers should be installed to the bottom holes.



A×8PCS
M8*27



F×4PCS

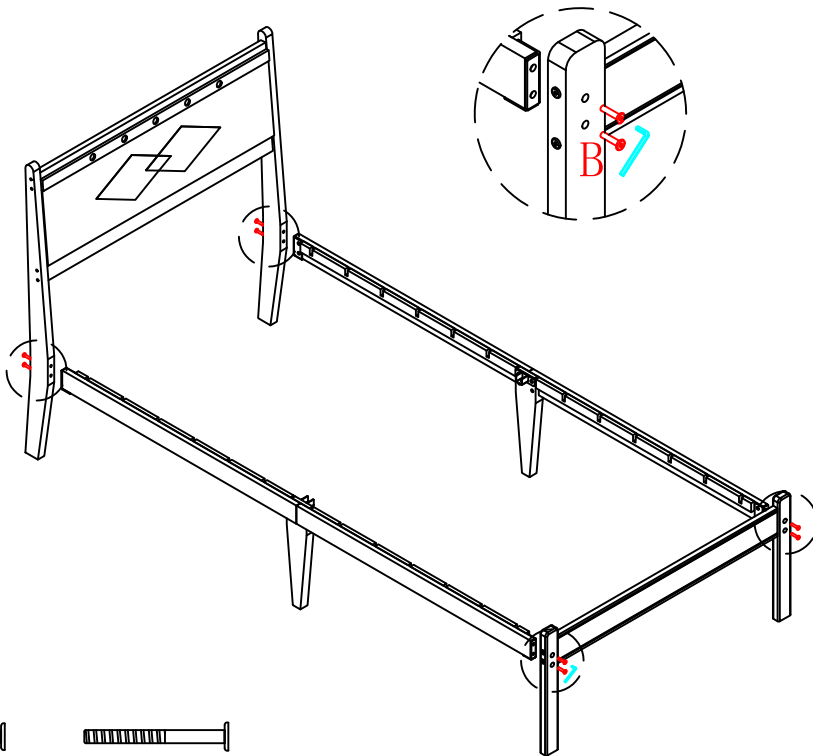


Note: Follow the direction indicated by the red arrow in the detailed view for proper installation. ⑪ It should be placed in the two screw holes above ③.

Step 4

Assemble the Bed Frame

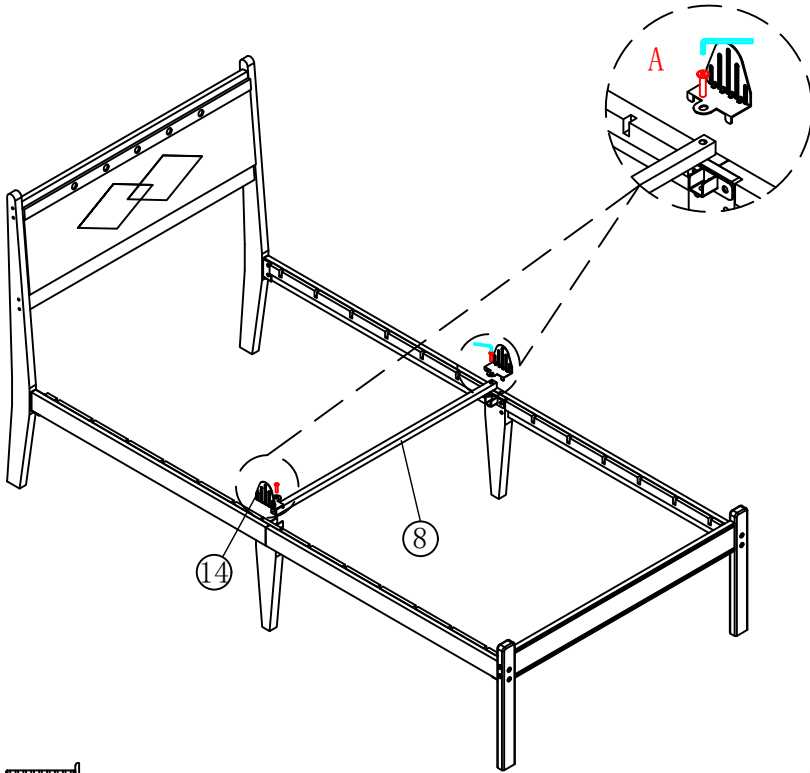
- Align the mounting brackets on the side rails with the corresponding holes on both the headboard and side bracket.
- After all the bolts are in place, use the included hexagonal wrench to tighten bolts (B) and bolts (H).



B×4PCS
M8*36



H×4PCS
M8*70




 A×2PCS
 M8*27

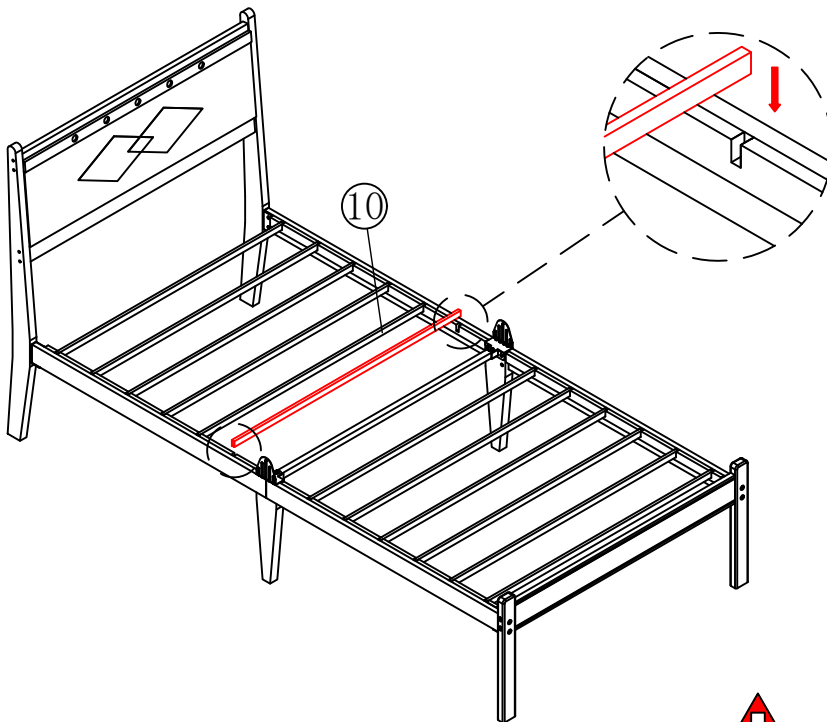


Note: Ensure all connections are properly aligned before final tightening. This step is crucial for the bed's stability.

Step 5

Install the Center Support Bar

- Use bolts (A) to lock the center support bar (8) onto the center support rail .
- At the center, mattress gasket (14) can be optionally installed.
- After installation is completed, tighten all the bolts.



Note: Before completing assembly, double-check that all screws and components are fully tightened.

Step 6

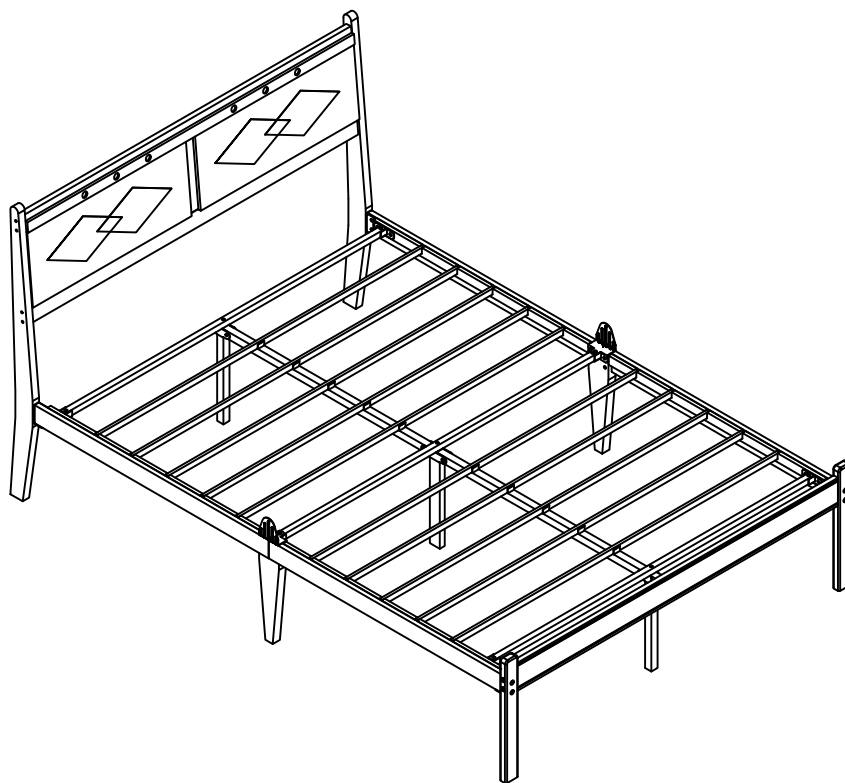
Install the Bed Slats

- Place all bed slats (10) across the side rails.

ASSEMBLY INSTRUCTION

SIZE: FULL(03)

Notice: This instruction manual applies to full size.



Excellent Customer Service-Please Contact Us Before

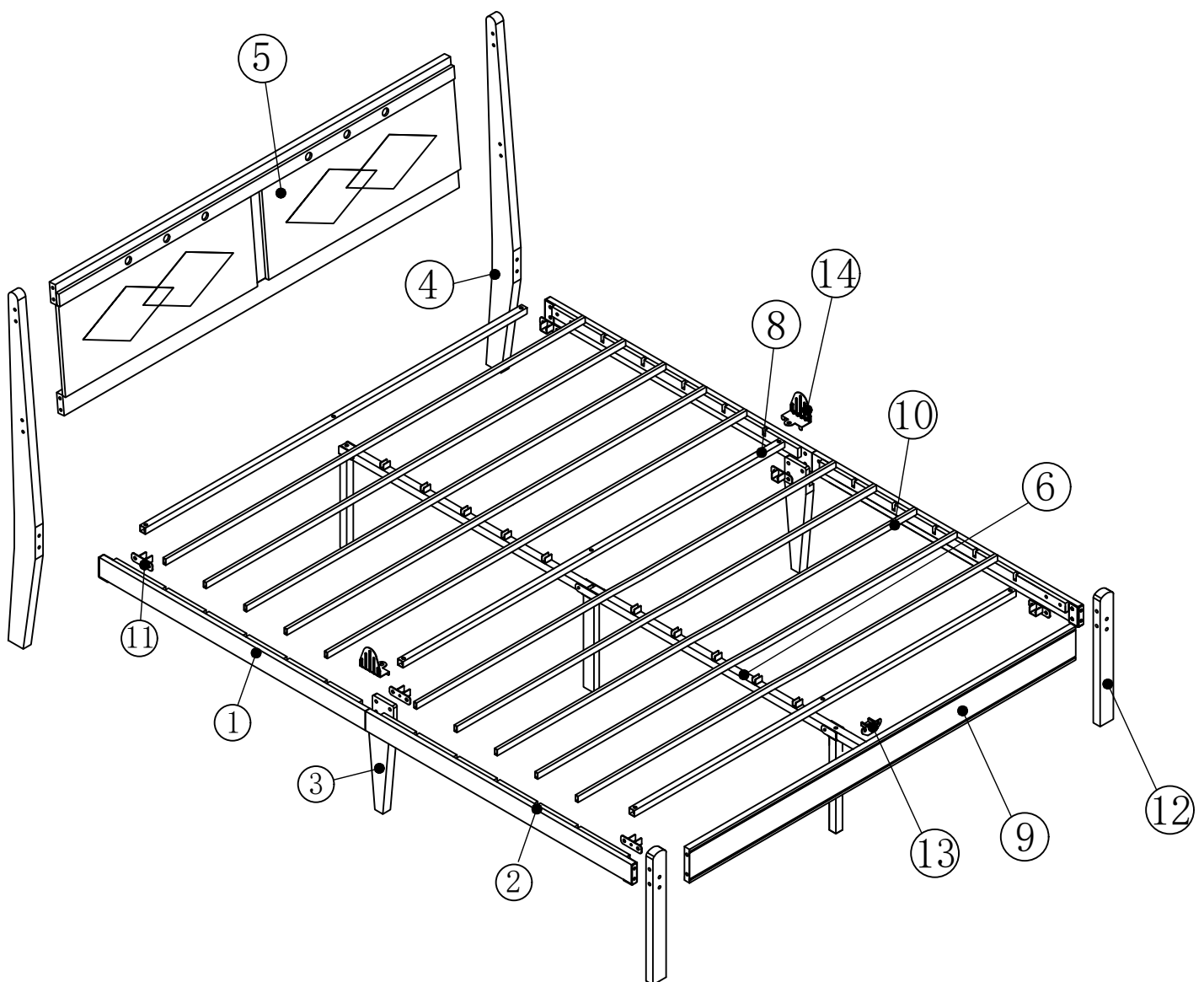
5HWXUQ 2XU 3URGXFW

All of our products have been tested before packed, but If any parts are missing or damaged, please contact us,

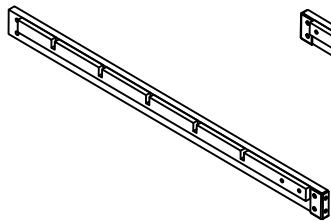
ZH ZLOO UHSO\ WR \RX \$6\$3 :KHQ UHSODFLQJ SDUWV RU KDUGZDUH S
VHOOHU ,W ZLOO EHWWHU WR LQFOXGH DSSOLFDEOH SKRWRV RU SUR

Parts & Hardware

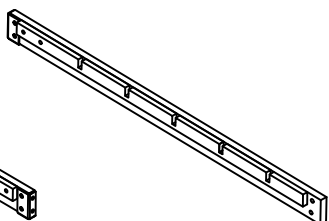
1. This page lists all the items included in this package. Please identify the hardware and individual components before beginning assembly.
2. This model includes only the parts numbered above. Skipped numbers indicate that the part is not used on this model.



Parts & Hardware



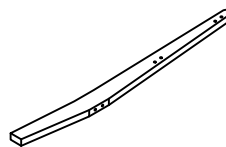
① Left Side Rail
2PCS



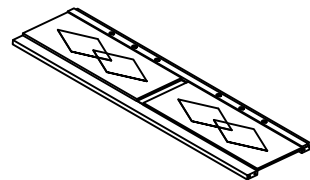
② Right Side Rail
2PCS



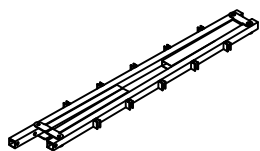
③ Middle Support Leg
2PCS



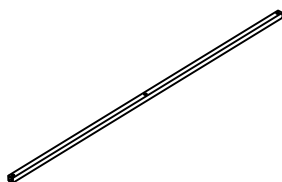
④ Bedposts
2PCS



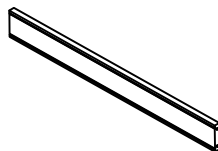
⑤ Headboard Panel-A
1PCS



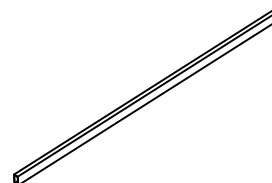
⑥ Center Support Rail
1PCS



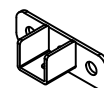
⑧ Center Support Bar
3PCS



⑨ Footboard
1PCS



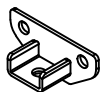
⑩ Slat
10PCS



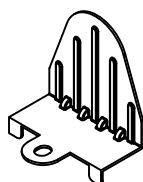
⑪ Connector-A
6PCS



⑫ Foot of Bed
2PCS



⑬ Connector-B
1PCS



⑭ Mattress Gasket
2PCS



A×14PCS
M8*27
+1(spare)



B×5PCS
M8*36
+1(spare)



C×4PCS
M6*75
+1(spare)



D×3PCS
M8*53
+1(spare)



E×10PCS
M8*14
+1(spare)



F×4PCS
M8
+1(spare)



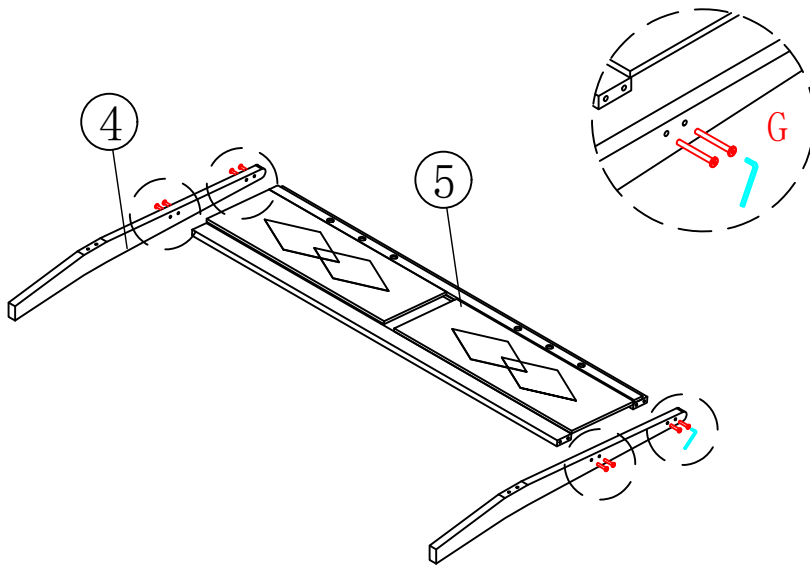
G×8PCS
M6*33
+1(spare)



H×4PCS
M8*70
+1(spare)



Installation



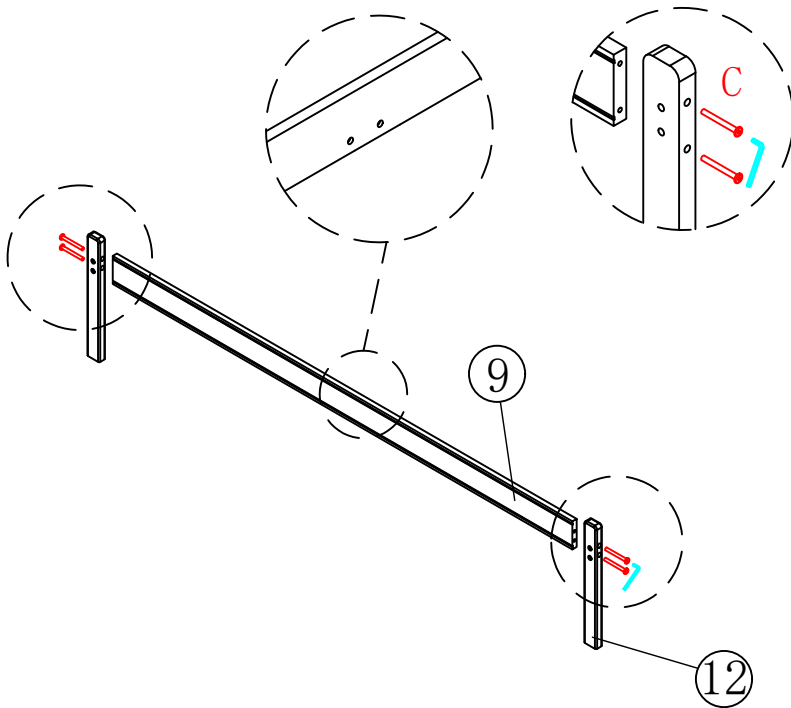
Step 1

Connect Headboard Panel

- Attach Headboard Panel-A (5) to the bedposts (4) using bolts (G).



G×8PCS
M6*33



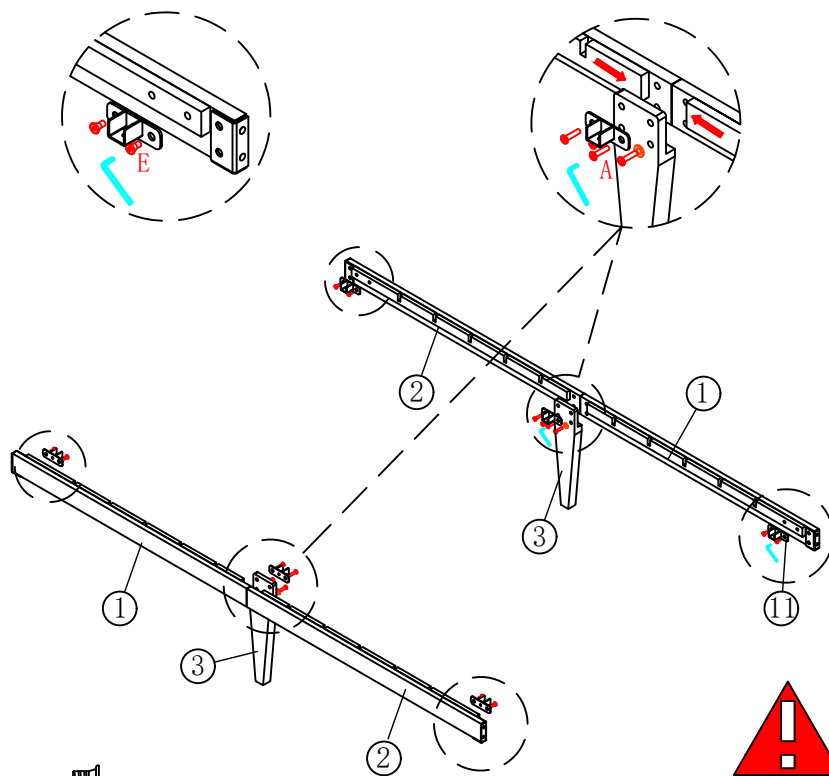
Step 2

Assemble Footboard

- Position the footboard (9) between the two feet of bed (12).
- Insert the bolts (C) through the pre-drilled holes as shown in the diagram and hand-tighten all bolts first to ensure proper alignment .
- The footboard (9) are not centered. Please pay attention to the direction.



C×4PCS
M6*75



 **A**×8PCS
M8*27

 **E**×8PCS
M8*14

 **F**×4PCS

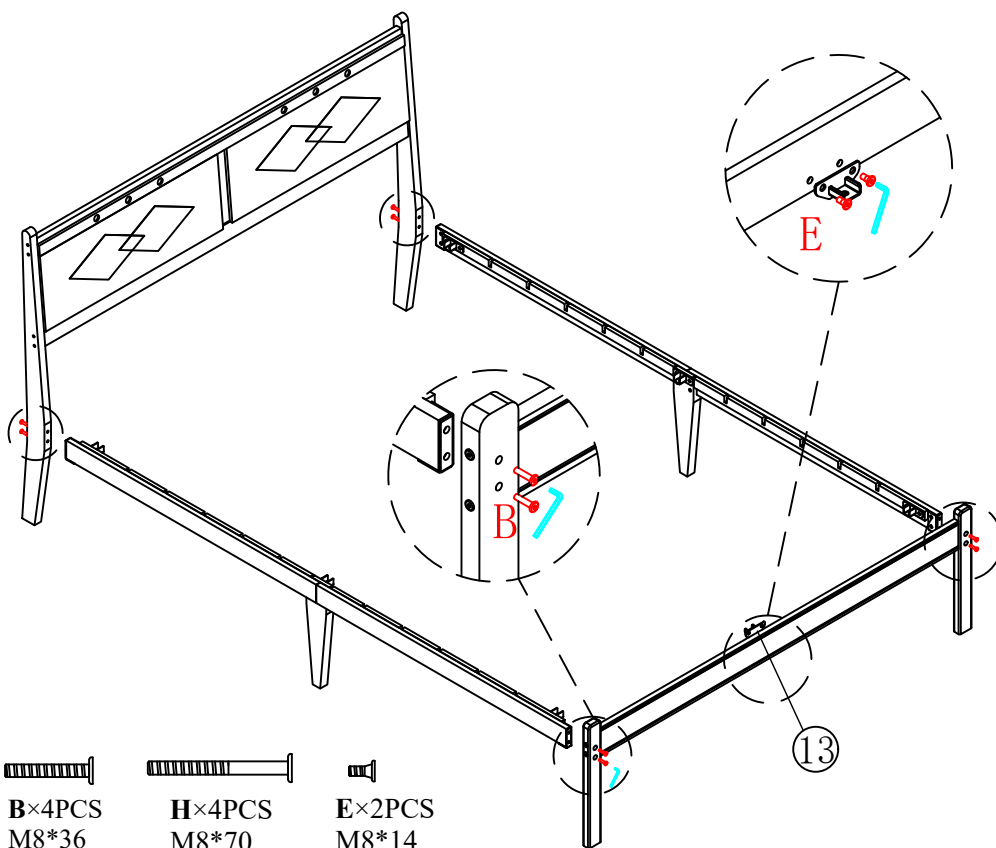


Note: Follow the direction indicated by the red arrow in the detailed view for proper installation. ⑪ It should be placed in the two screw holes above ③.


Step 3

Assemble of Side Rails

- Connect the left side rails ①, left side rails ② and middle support leg ③ using connectors-A ⑪ and eight bolts (A) and four washer (F). The washers should be installed to the bottom holes.
- Secure the connector at each end of the side rail assembly to the bed frame using eight bolts (E).



 **B**×4PCS
M8*36

 **H**×4PCS
M8*70

 **E**×2PCS
M8*14

Step 4

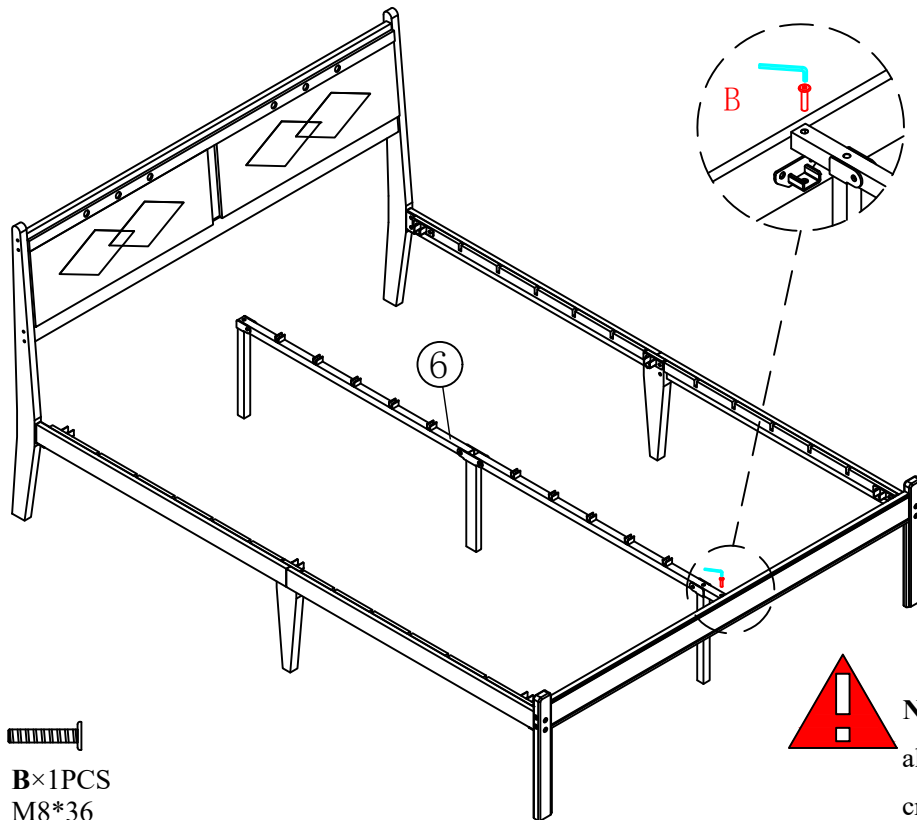
Assemble the Bed Frame

- Align the mounting brackets on the side rails with the corresponding holes on both the headboard and side bracket.
- After all the bolts are in place, use the included hexagonal wrench to tighten bolts (B) and bolts (H).
- Use bolt (E) to lock connector-B ⑬ onto the side bracket.

Step 5

Install the Center Support Rail

- Attach the center support rail ⑥ to both ends of the bed frame using bolts (B).



B×1PCS
M8*36

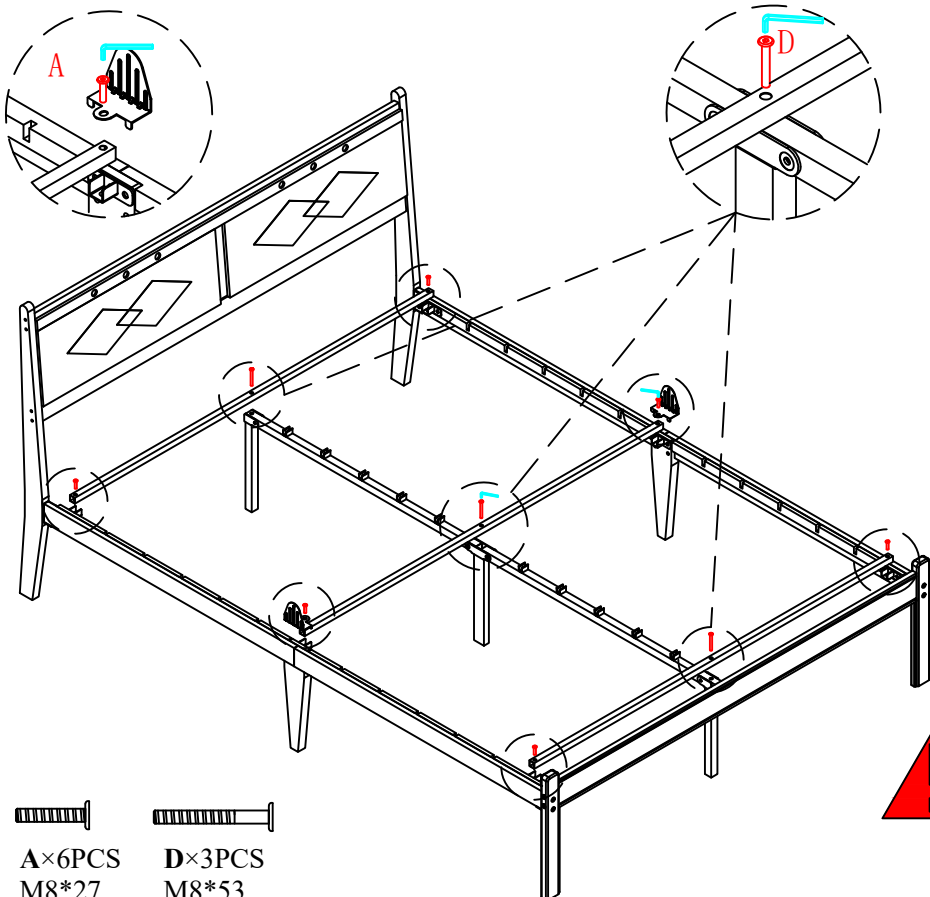


Note: Ensure all connections are properly aligned before final tightening. This step is crucial for the bed's stability.

Step 6

Install the Center Support Bar

- Use bolts (A) and bolts (D) to lock the center support bar ⑧ onto the center support rail.
- At the center, mattress gasket ⑭ can be optionally installed.
- After installation is completed, tighten all the bolts.



A×6PCS
M8*27



D×3PCS
M8*53

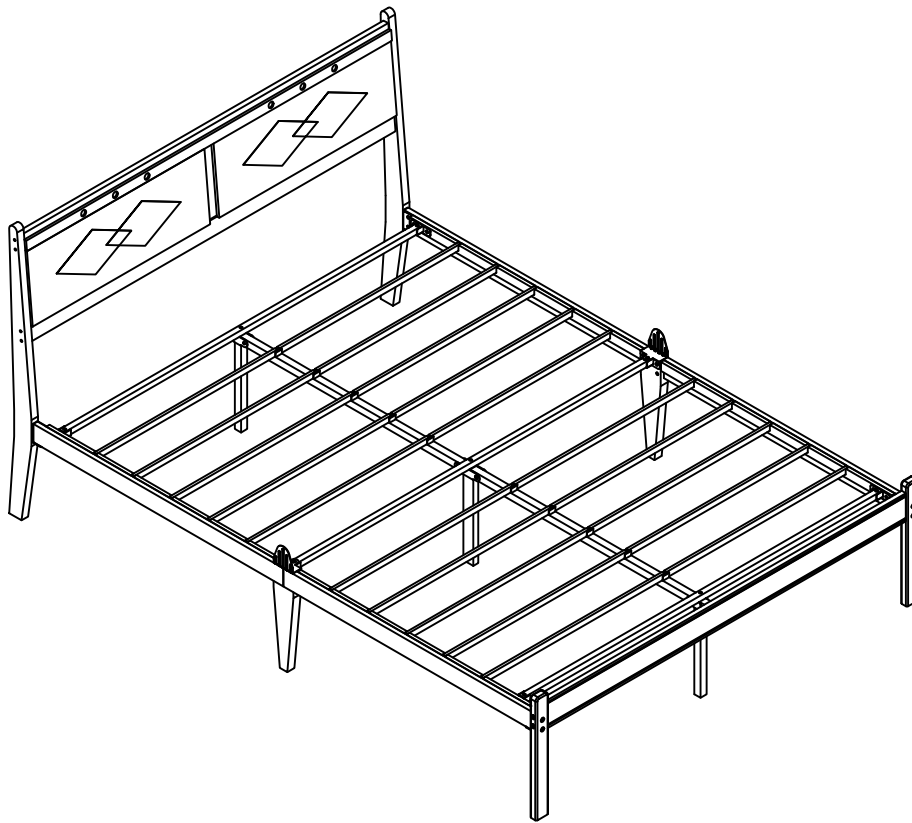


Note: Before completing assembly, double-check that all screws and components are fully tightened.

ASSEMBLY INSTRUCTION

SIZE: QUEEN(04)

Notice: This instruction manual applies to queen size.



Excellent Customer Service-Please Contact Us Before

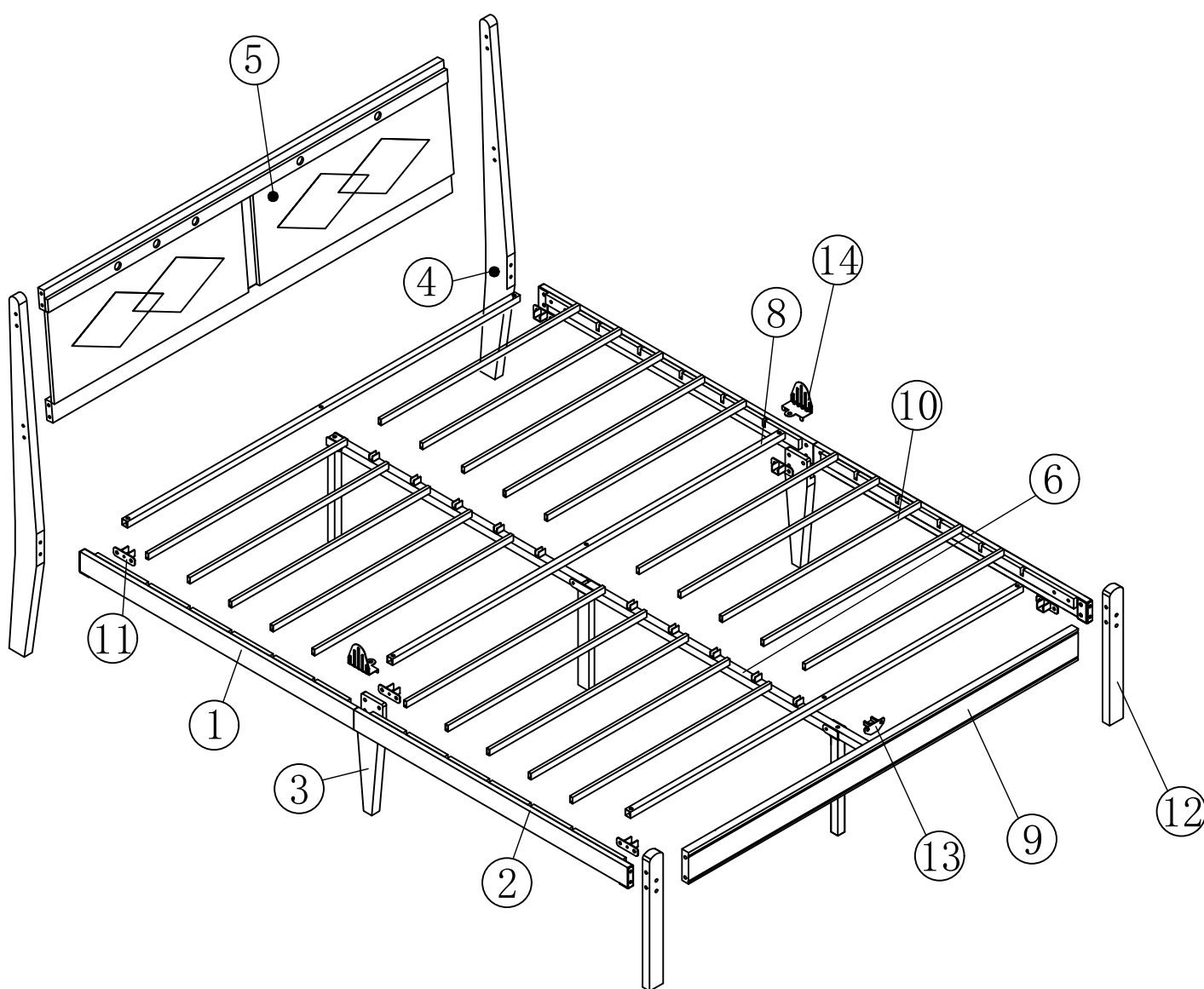
5HWXUQ 2XU 3URGXFW

All of our products have been tested before packed, but If any parts are missing or damaged, please contact us,

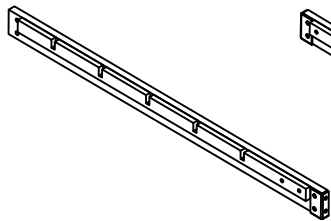
ZH ZLOO UHSO\ WR \RX \$6\$3 :KHQ UHSODFLQJ SDUWV RU KDUGZDUH S
VHOOHU ,W ZLOO EHWWHU WR LQFOXGH DSSOLFDEOH SKRWRV RU SUR

Parts & Hardware

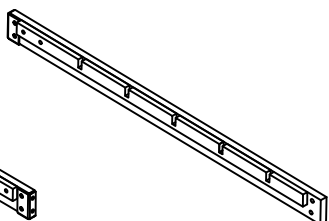
1. This page lists all the items included in this package. Please identify the hardware and individual components before beginning assembly.
2. This model includes only the parts numbered above. Skipped numbers indicate that the part is not used on this model.



Parts & Hardware



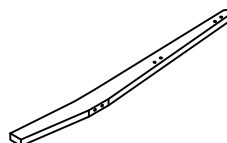
① Left Side Rail
2PCS



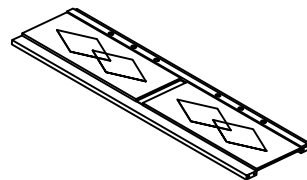
② Right Side Rail
2PCS



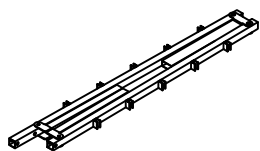
③ Middle Support Leg
2PCS



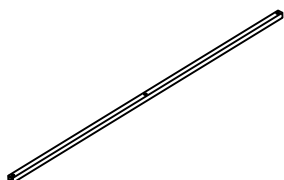
④ Bedposts
2PCS



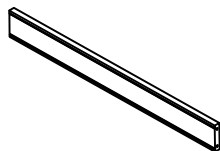
⑤ Headboard Panel-A
1PCS



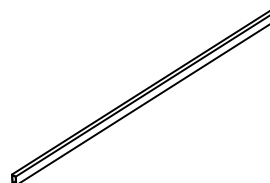
⑥ Center Support Rail
1PCS



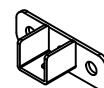
⑧ Center Support Bar
3PCS



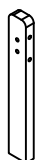
⑨ Footboard
1PCS



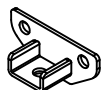
⑩ Slat
20PCS



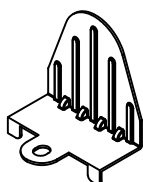
⑪ Connector-A
6PCS



⑫ Foot of Bed
2PCS



⑬ Connector-B
1PCS



⑭ Mattress Gasket
2PCS



A×14PCS
M8*27
+1(spare)



B×5PCS
M8*36
+1(spare)



C×4PCS
M6*75
+1(spare)



D×3PCS
M8*53
+1(spare)



E×10PCS
M8*14
+1(spare)



F×4PCS
M8
+1(spare)



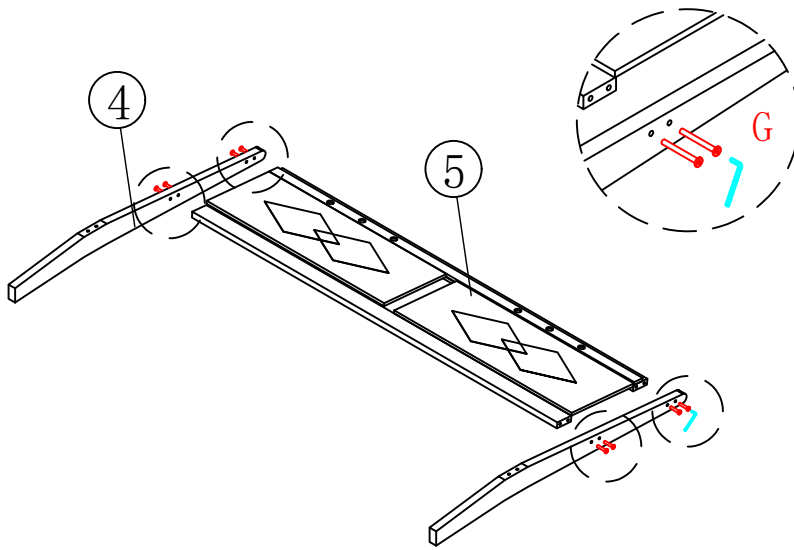
G×8PCS
M6*33
+1(spare)



H×4PCS
M8*70
+1(spare)



Installation



G×8PCS
M6*33

Step 1

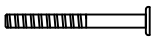
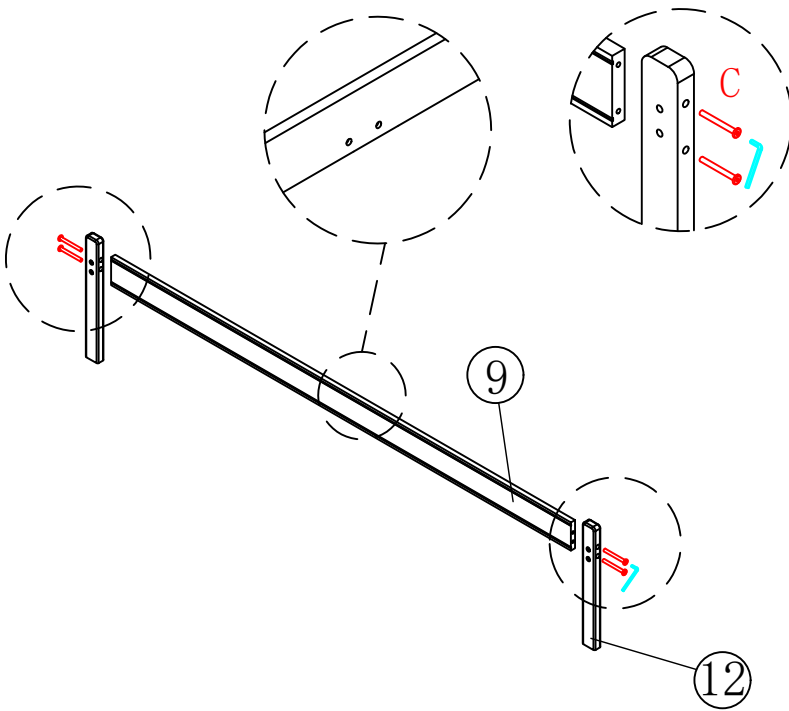
Connect Headboard Panel

- Attach Headboard Panel-A (5) to the bedposts (4) using bolts (G).

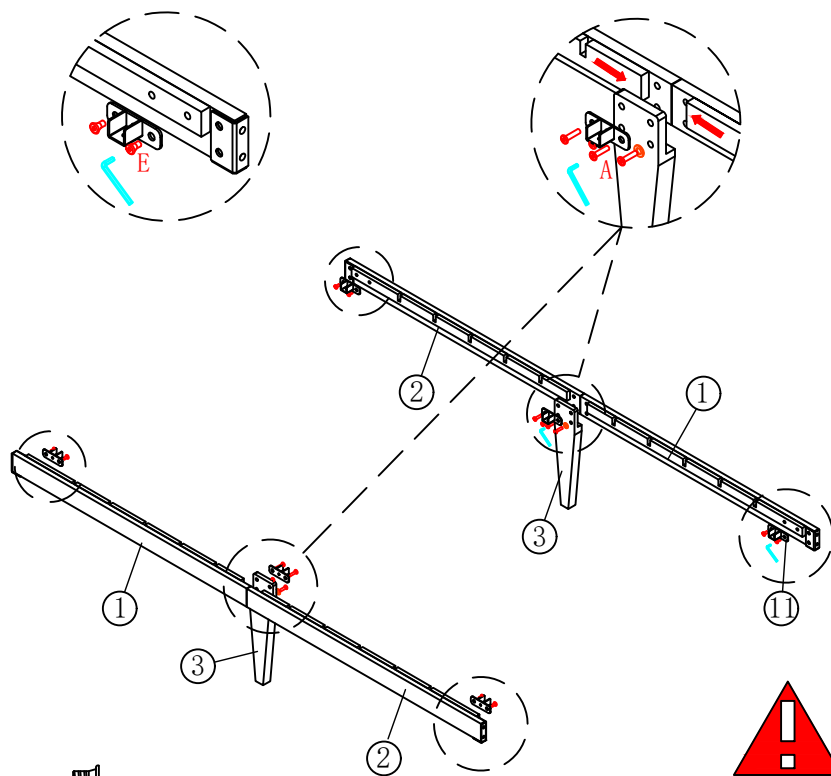
Step 2

Assemble Footboard

- Position the footboard (9) between the two foot of bed (12).
- Insert the bolts (C) through the pre-drilled holes as shown in the diagram and hand-tighten all bolts first to ensure proper alignment .
- The footboard (9) are not centered. Please pay attention to the direction.



C×4PCS
M6*75



A×8PCS
M8*27



E×8PCS
M8*14



F×4PCS

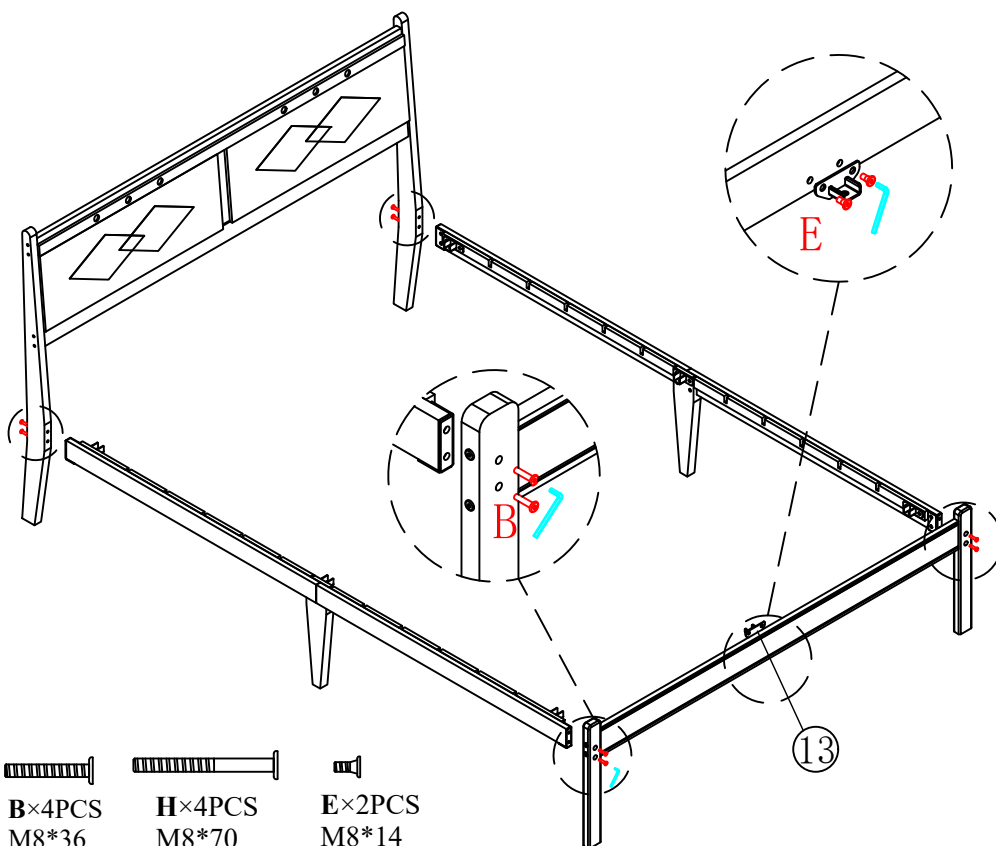


Note: Follow the direction indicated by the red arrow in the detailed view for proper installation. ⑪ It should be placed in the two screw holes above ③.

Step 3

Assemble of Side Rails

- Connect the left side rails ①, left side rails ② and middle support leg ③ using connectors-A ⑪ and eight bolts (A) and four washer (F). The washers should be installed to the bottom holes.
- Secure the connector at each end of the side rail assembly to the bed frame using eight bolts (E).



B×4PCS
M8*36



H×4PCS
M8*70



E×2PCS
M8*14

Step 4

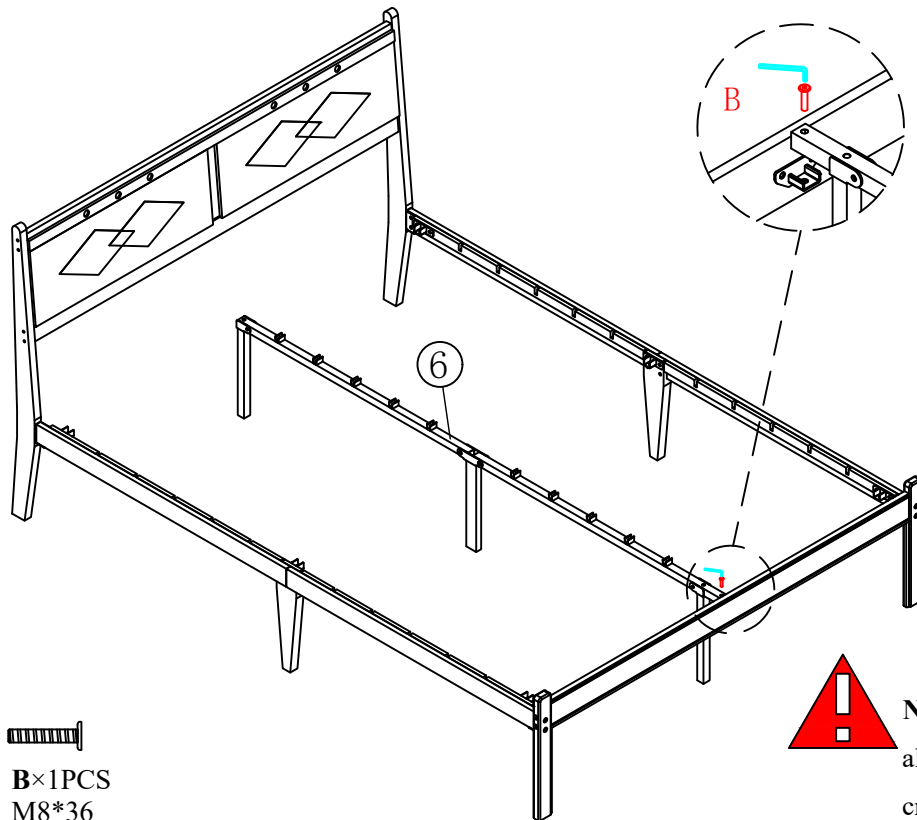
Assemble the Bed Frame

- Align the mounting brackets on the side rails with the corresponding holes on both the headboard and side bracket.
- After all the bolts are in place, use the included hexagonal wrench to tighten bolts (B) and bolts (H).
- Use bolt (E) to lock connector-B ⑬ onto the side bracket.

Step 5

Install the Center Support Rail

- Attach the center support rail ⑥ to both ends of the bed frame using bolts (B).



B×1PCS
M8*36

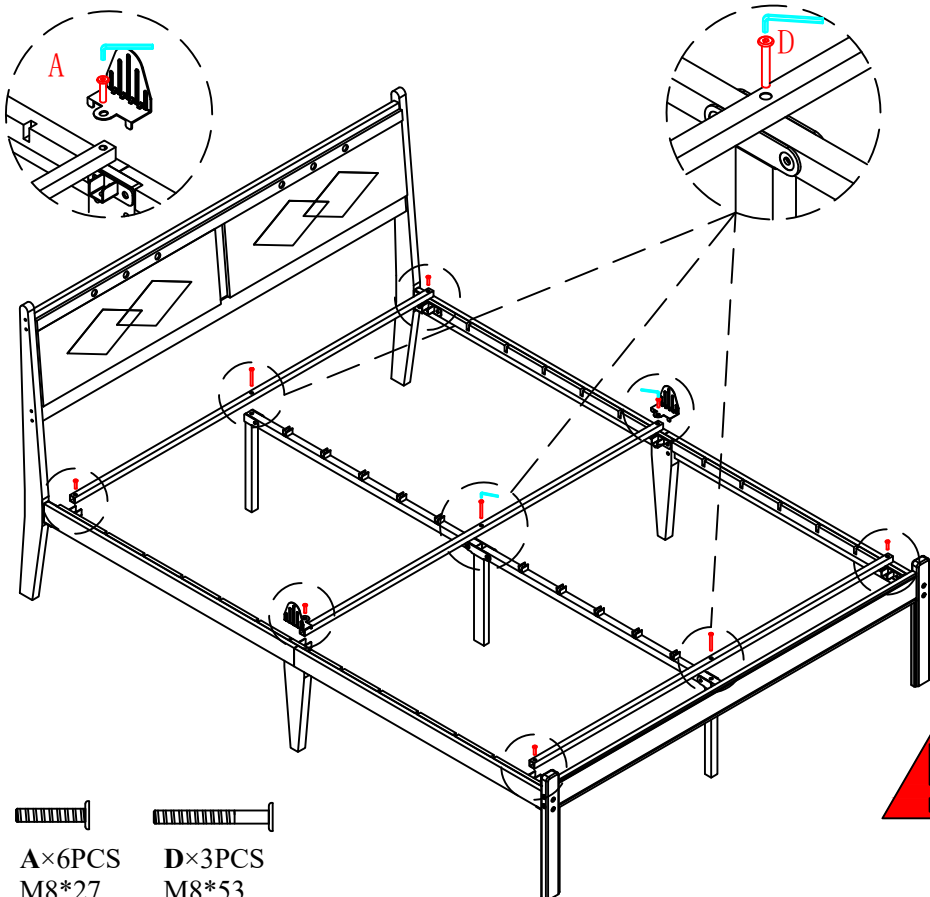


Note: Ensure all connections are properly aligned before final tightening. This step is crucial for the bed's stability.

Step 6

Install the Center Support Bar

- Use bolts (A) and bolts (D) to lock the center support bar ⑧ onto the center support rail.
- At the center, mattress gasket ⑭ can be optionally installed.
- After installation is completed, tighten all the bolts.



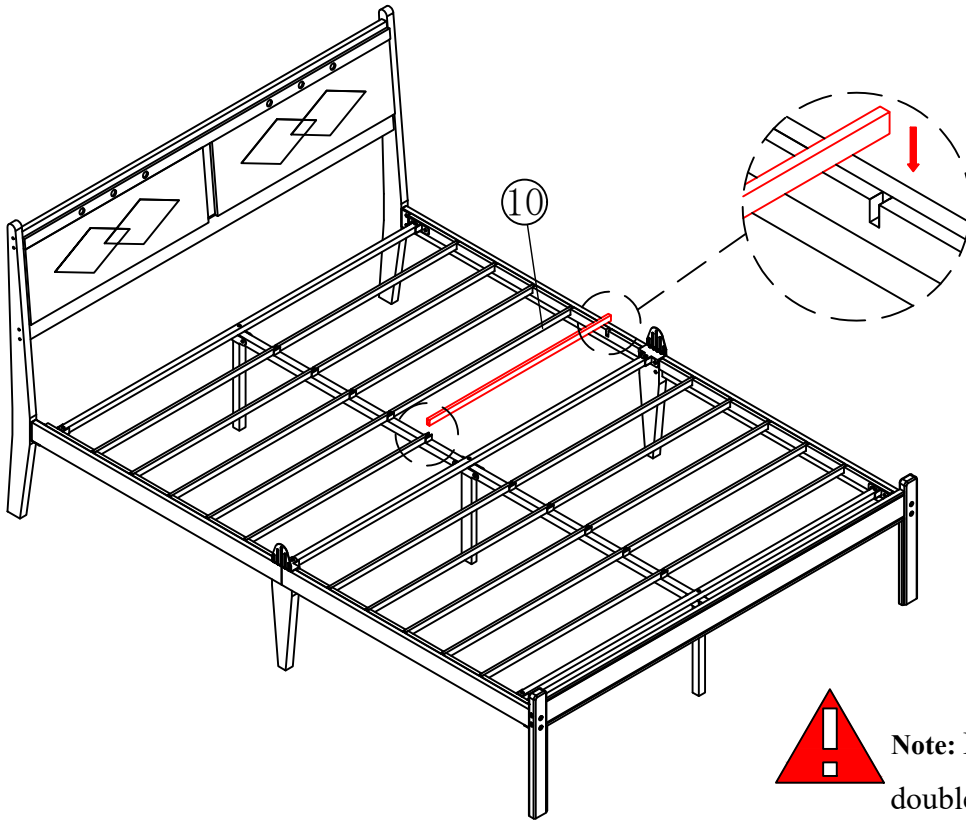
A×6PCS
M8*27



D×3PCS
M8*53



Note: Before completing assembly, double-check that all screws and components are fully tightened.



Step 7

Install the Bed Slats

- Place all bed slats ⑩ across the side rails.



Note: Before completing assembly, double-check that all screws and components are fully tightened.

IMPORTANT INFORMATION

Warning

- 1. Age Restriction:** The bed is not designed for children under 4 years old.
- 2. For your safety:** Jumping, rough play, or other vigorous activities on the bed are not recommended as they may cause injury or damage to the bed frame.
- 3. Weight Limit:** The maximum combined weight on the bed should not exceed 1000 lbs. This includes the weight of the bed itself, mattresses, bedding, and people.
- 4. Do not drag or push the bed frame:** Always use two people to lift and reposition the bed frame to avoid damage to the frame or the floor.

Cleaning & Care

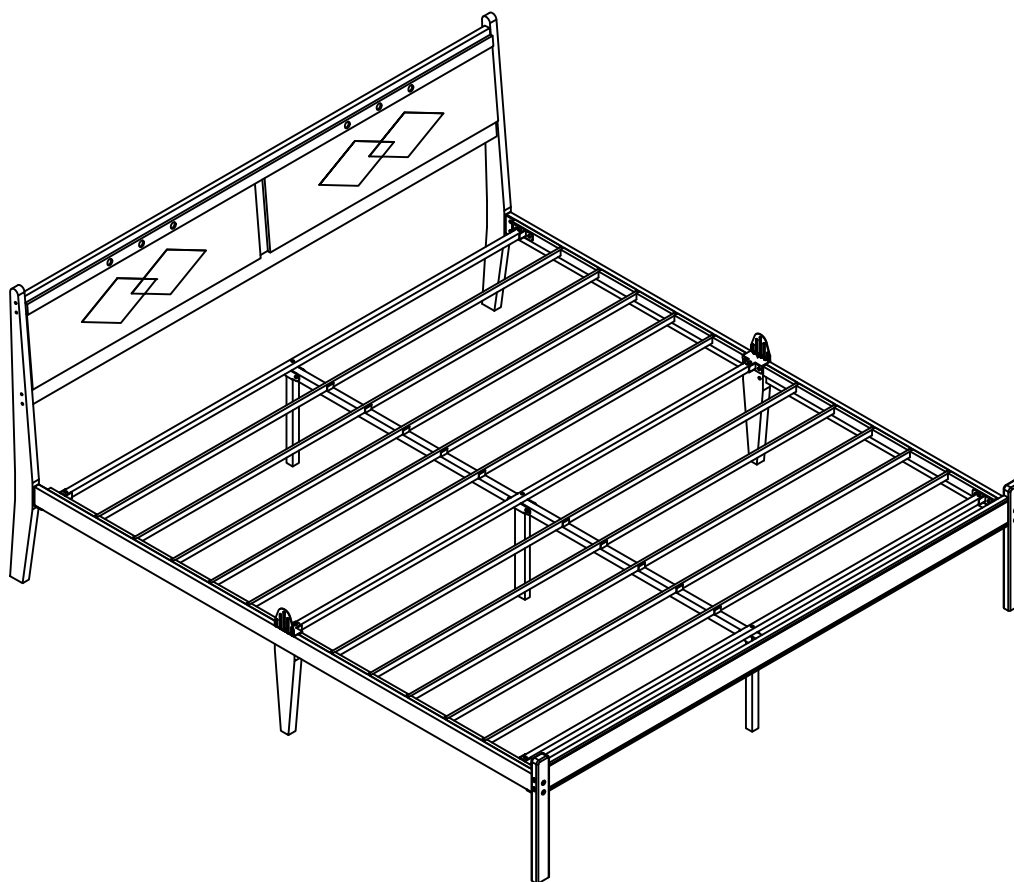
- 1. Cleaning method:** Use a dry or slightly damp soft cloth for cleaning. Avoid abrasive cleaners, which can damage the finish.
- 2. Hardware maintenance:** Over time, hardware can loosen. Regularly check and tighten all connections to maintain the bed's stability and prevent damage.

Please keep these instructions for future reference!

ASSEMBLY INSTRUCTION

SIZE: KING(05)

Notice: This instruction manual applies to king size.



Excellent Customer Service-Please Contact Us Before

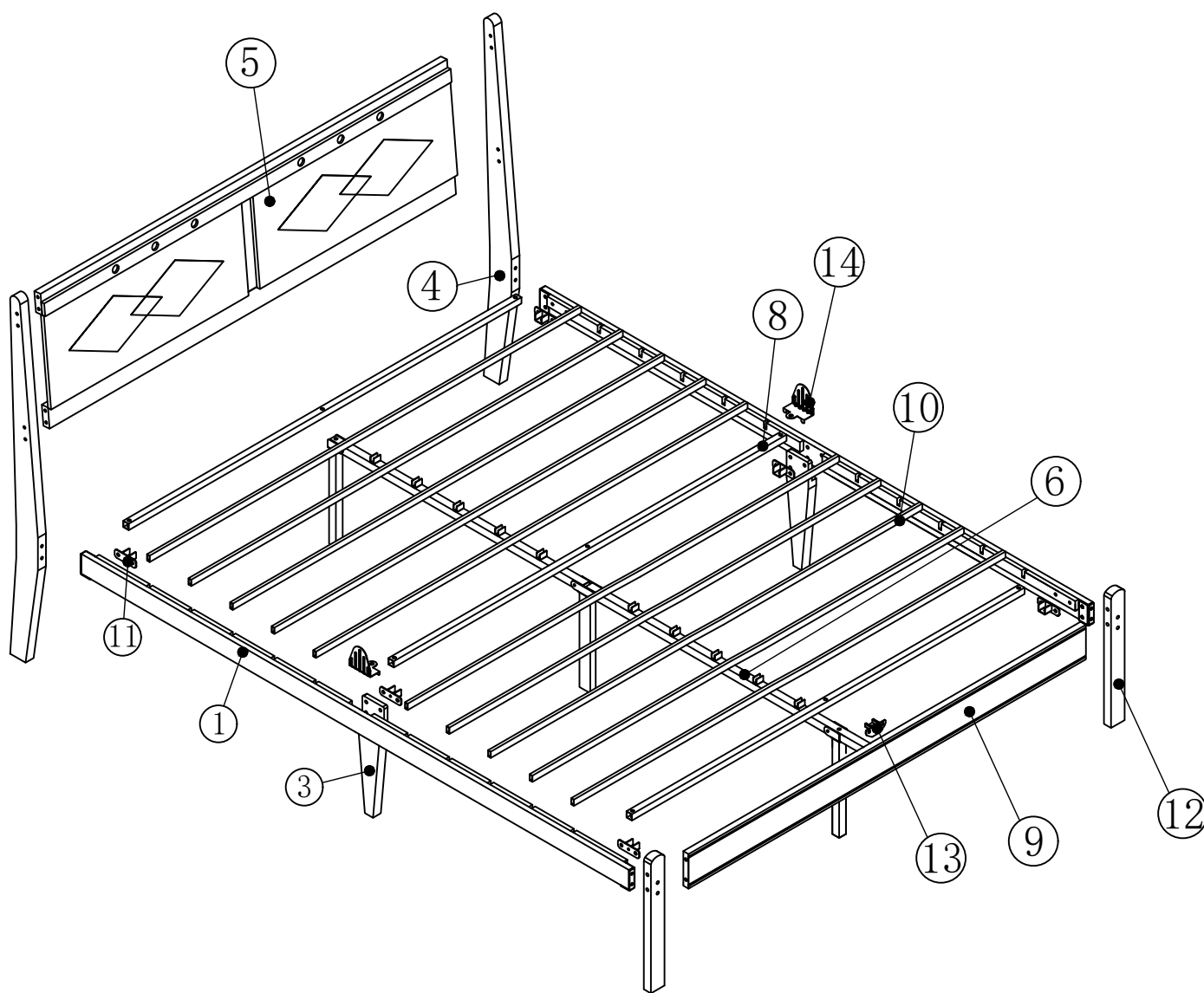
5HWXUQ 2XU 3URGXFW

All of our products have been tested before packed, but If any parts are missing or damaged, please contact us,

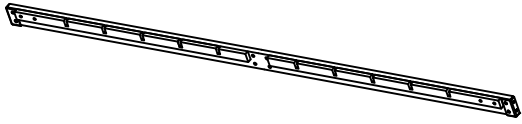
ZH ZLOO UHSO\ WR \RX \$6\$3 :KHQ UHSODFLQJ SDUWV RU KDUGZDUH S
VHOOHU ,W ZLOO EHWWHU WR LQFOXGH DSSOLFDEOH SKRWRV RU SUR

Parts & Hardware

1. This page lists all the items included in this package. Please identify the hardware and individual components before beginning assembly.
2. This model includes only the parts numbered above. Skipped numbers indicate that the part is not used on this model.



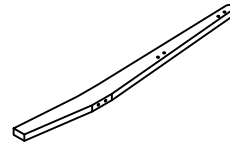
Parts & Hardware



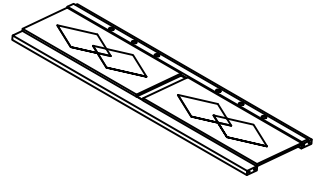
① Side Rail
2PCS



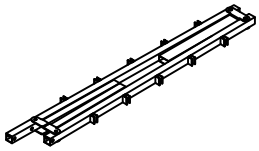
③ Middle Support Leg
2PCS



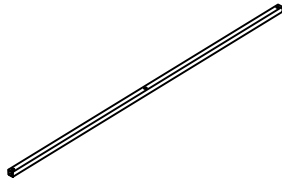
④ Bedposts
2PCS



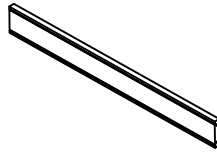
⑤ Headboard Panel-A
1PCS



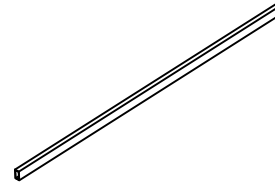
⑥ Center Support Rail
1PCS



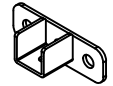
⑧ Center Support Bar
3PCS



⑨ Footboard
1PCS



⑩ Slat
10PCS



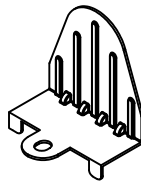
⑪ Connector-A
6PCS



⑫ Foot of Bed
2PCS



⑬ Connector-B
1PCS



⑭ Mattress Gasket
2PCS



A×14PCS
M8*27
+1(spare)



B×5PCS
M8*36
+1(spare)



C×4PCS
M6*75
+1(spare)



D×3PCS
M8*53
+1(spare)



E×10PCS
M8*14
+1(spare)



F×4PCS
M8
+1(spare)



G×8PCS
M6*33
+1(spare)



H×4PCS
M8*70
+1(spare)

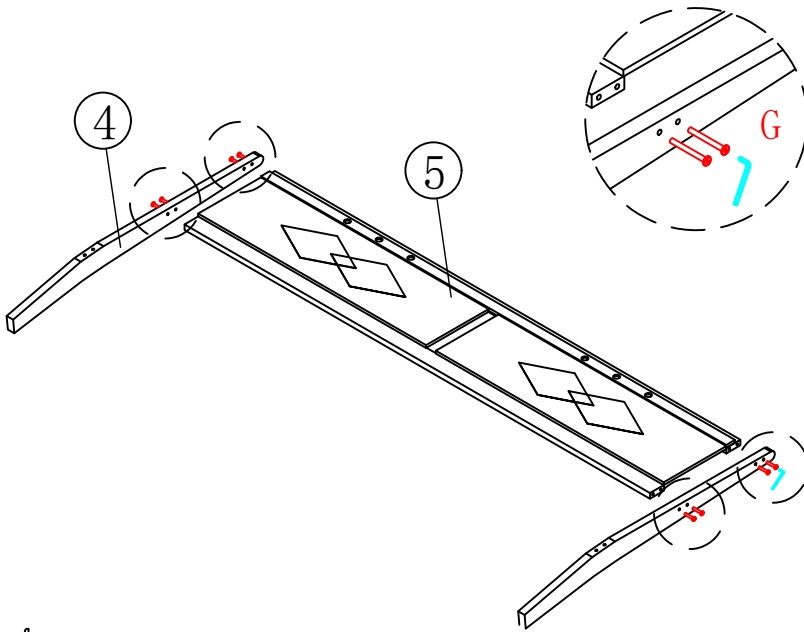


Installation

Step 1

Connect Headboard Panel

- Attach Headboard Panel-A ⑤ to the bedposts ④ using bolts (G).

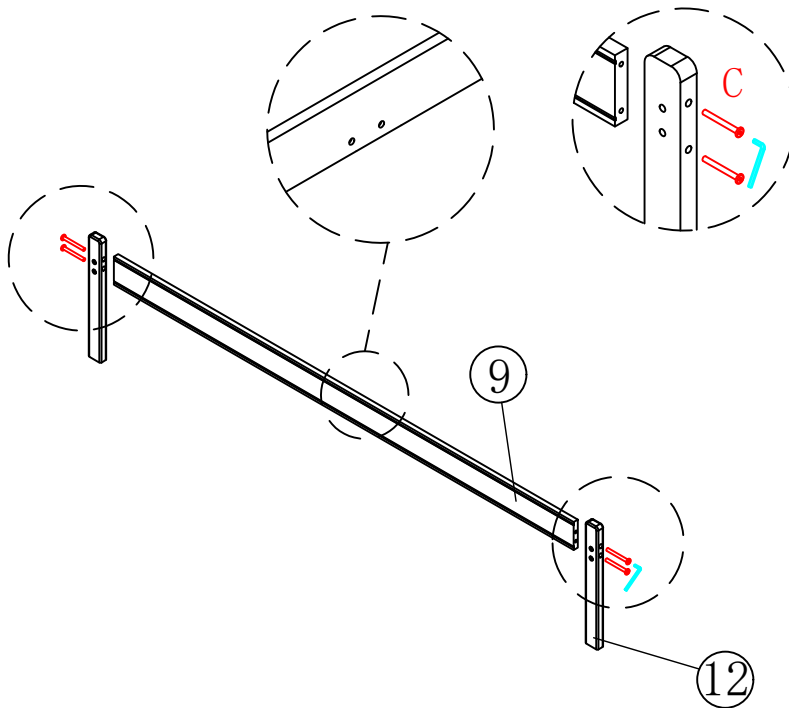


G×8PCS
M6*33

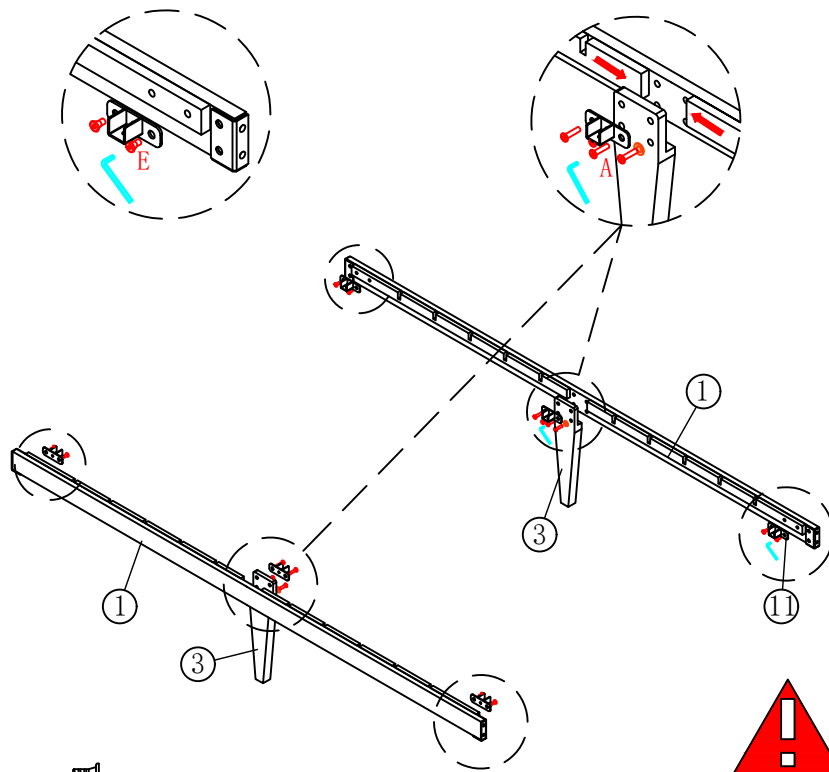
Step 2

Assemble Footboard

- Position the footboard ⑨ between the two foot of bed ⑫.
- Insert the bolts (C) through the pre-drilled holes as shown in the diagram and hand-tighten all bolts first to ensure proper alignment .
- The footboard ⑨ are not centered. Please pay attention to the direction.



C×4PCS
M6*75



A×8PCS
M8*27



E×8PCS
M8*14



F×4PCS

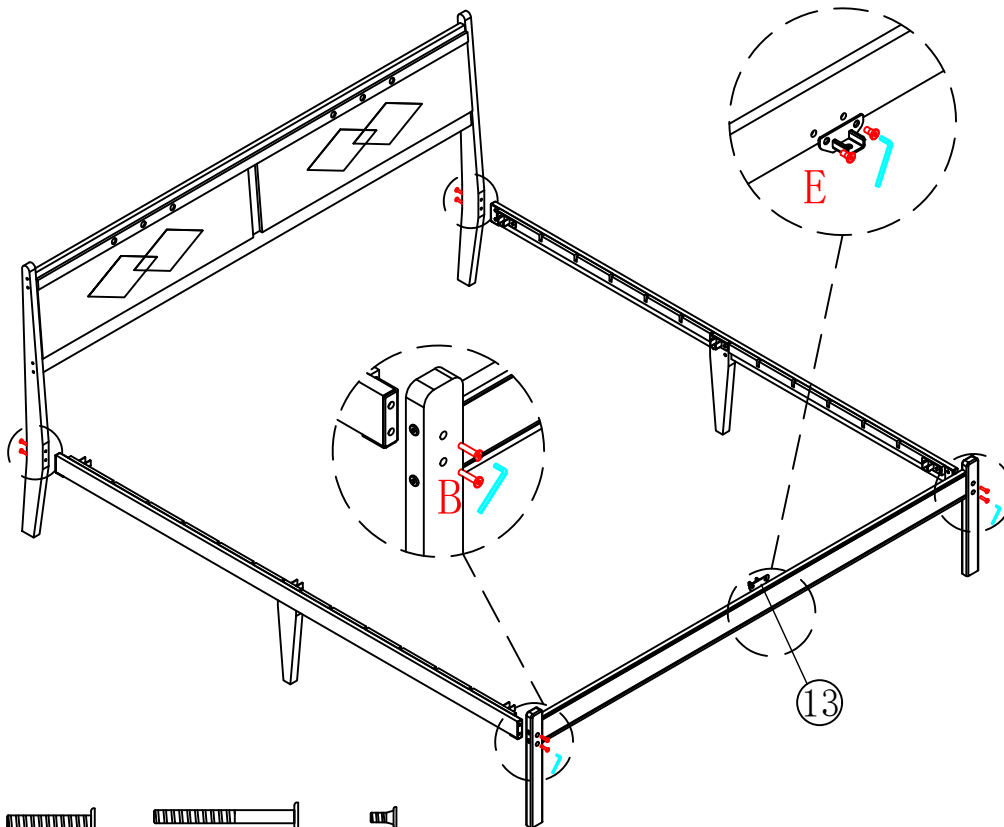


Note: Follow the direction indicated by the red arrow in the detailed view for proper installation. ⑪ It should be placed in the two screw holes above ③.

Step 3

Assemble of Side Rails

- Connect the side rails ① and middle support leg ③ using connectors-A ⑪ and eight bolts (A) and four washer (F). The washers should be installed to the bottom holes.
- Secure the connector at each end of the side rail assembly to the bed frame using eight bolts (E).



B×4PCS
M8*36



H×4PCS
M8*70

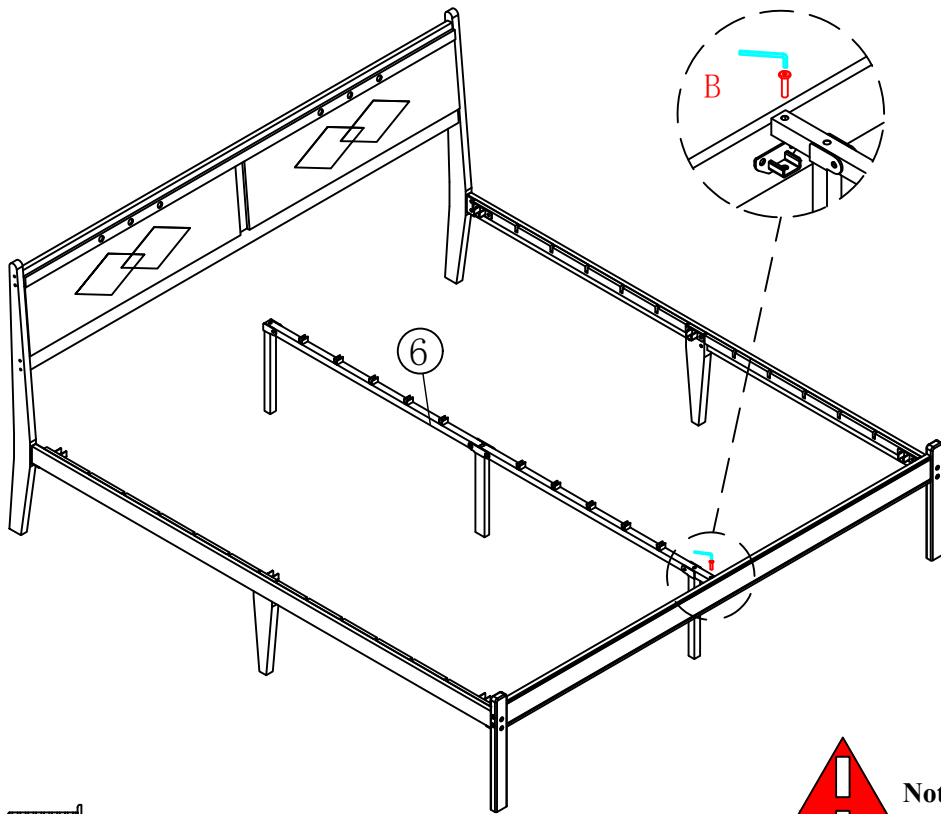


E×2PCS
M8*14

Step 4

Assemble the Bed Frame

- Align the mounting brackets on the side rails with the corresponding holes on both the headboard and side bracket.
- After all the bolts are in place, use the included hexagonal wrench to tighten bolts (B) and bolts (H).
- Use bolt (E) to lock connector-B ⑬ onto the side bracket.



B×1PCS
M8*36

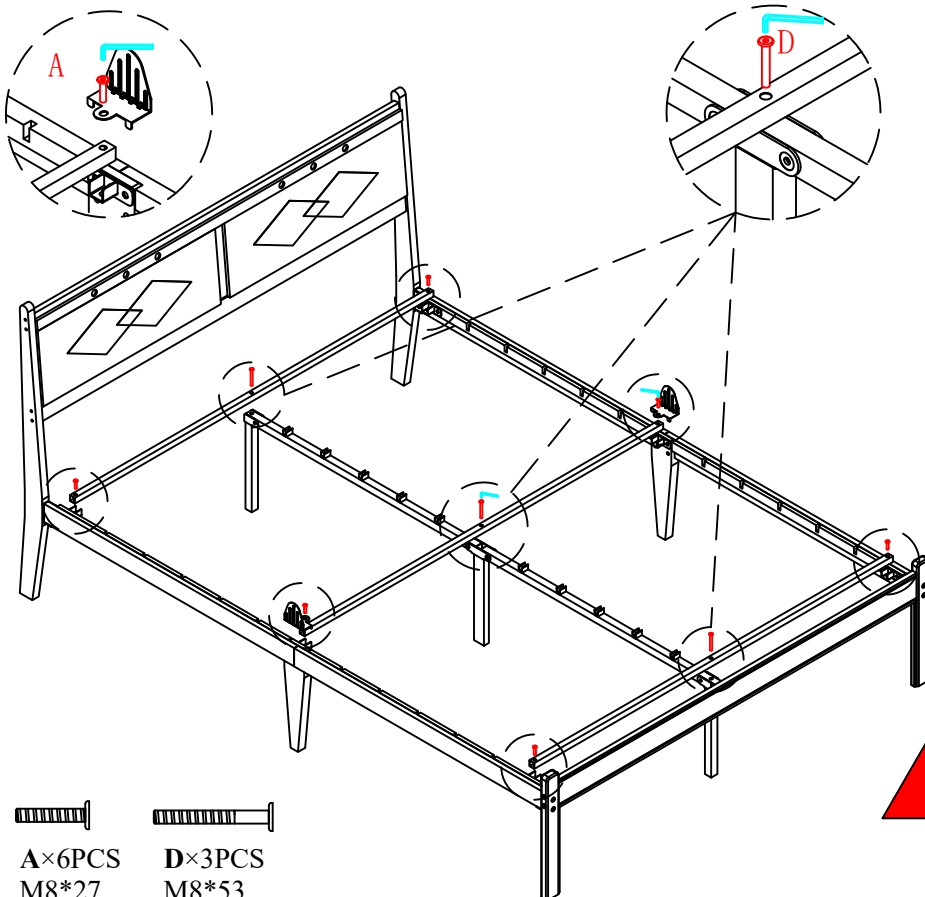


Note: Ensure all connections are properly aligned before final tightening. This step is crucial for the bed's stability.

Step 5

Install the Center Support Rail

- Attach the center support rail ⑥ to both ends of the bed frame using bolts (B).



A×6PCS
M8*27



D×3PCS
M8*53



Note: Before completing assembly, double-check that all screws and components are fully tightened.

Step 6

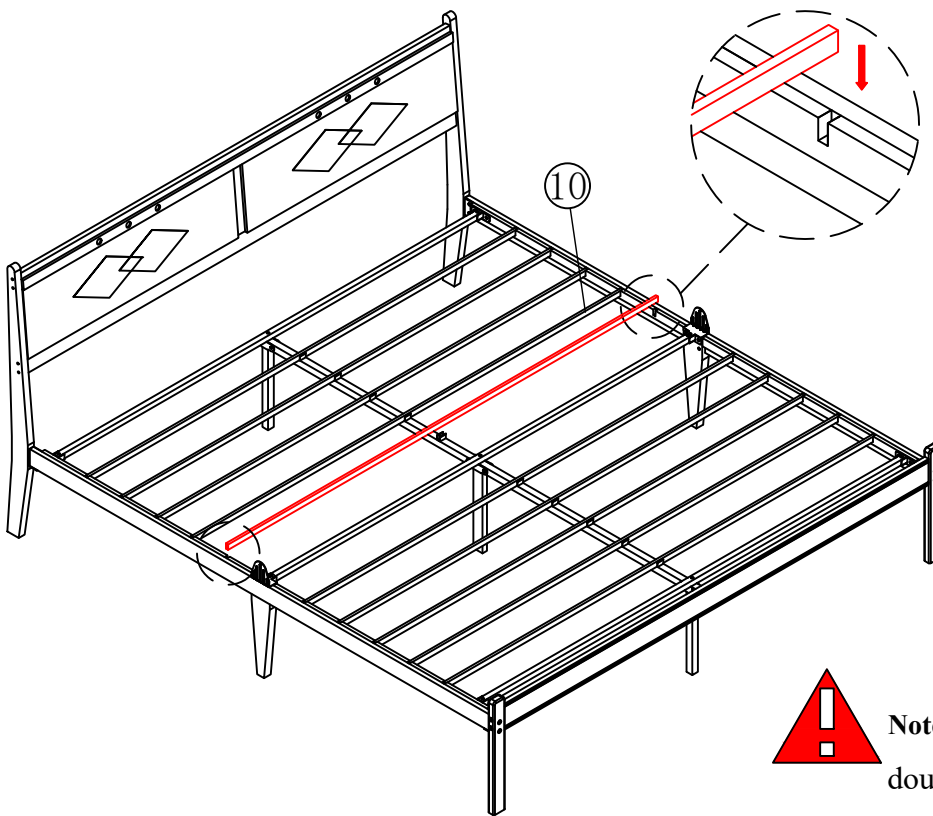
Install the Center Support Bar

- Use bolts (A) and bolts (D) to lock the center support bar ⑧ onto the center support rail.
- At the center, mattress gasket ⑭ can be optionally installed.
- After installation is completed, tighten all the bolts.

Step 7

Install the Bed Slats

- Place all bed slats ⑩ across the side rails.



Note: Before completing assembly, double-check that all screws and components are fully tightened.

IMPORTANT INFORMATION

Warning

- 1. Age Restriction:** The bed is not designed for children under 4 years old.
- 2. For your safety:** Jumping, rough play, or other vigorous activities on the bed are not recommended as they may cause injury or damage to the bed frame.
- 3. Weight Limit:** The maximum combined weight on the bed should not exceed 1000 lbs. This includes the weight of the bed itself, mattresses, bedding, and people.
- 4. Do not drag or push the bed frame:** Always use two people to lift and reposition the bed frame to avoid damage to the frame or the floor.

Cleaning & Care

- 1. Cleaning method:** Use a dry or slightly damp soft cloth for cleaning. Avoid abrasive cleaners, which can damage the finish.
- 2. Hardware maintenance:** Over time, hardware can loosen. Regularly check and tighten all connections to maintain the bed's stability and prevent damage.

Please keep these instructions for future reference!