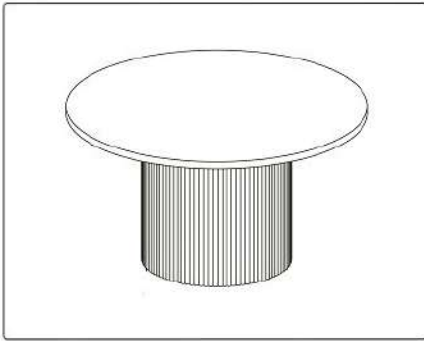


ASSEMBLY INSTRUCTIONS

757-T MARBLE DINING TABLE

meridian.
furniture



+ Do Not Use Power Tools

+ 2 Adults



NOTE: For questions about parts or assembly please email support@meridianfurnitureusa.com or call us at 718-758-4455.

- 1 Read instruction cover to cover.
- 2 Save all packing until assembly is completed.

1 **IMPORTANT SAFETY INFORMATION**

Do not assemble the product if any of the following parts arrived damaged:

- Part #1 - Table Top
- Part #2 - Base

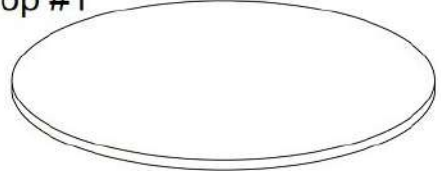
2 **IMPORTANT ASSEMBLY INFORMATION**

Assembly Step Use Bolt, to connect Part#1 to Part#2

***Warning:** Do not over tighten bolt, or it could damage the table top

+ Parts Included

① Top #1



② Base #1

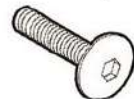


+ Hardware Included

A Flat Washer (30mm) #04



B Bolt (30x8mm) # 04



C Allen Key # 01

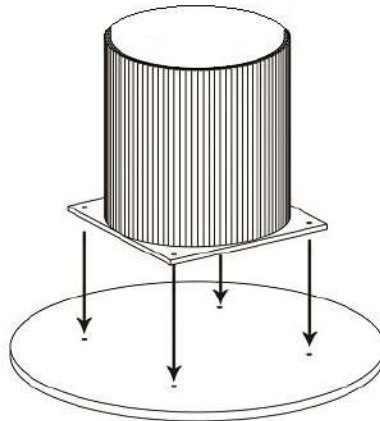


ASSEMBLY INSTRUCTIONS

757-T MARBLE DINING TABLE

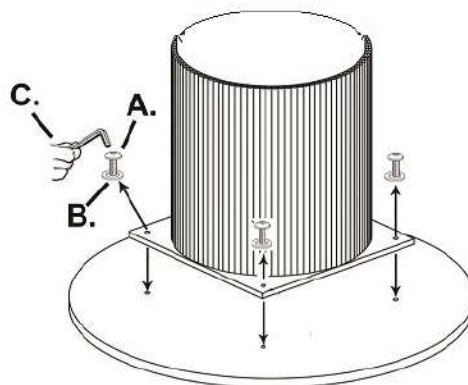
meridian.
furniture

1



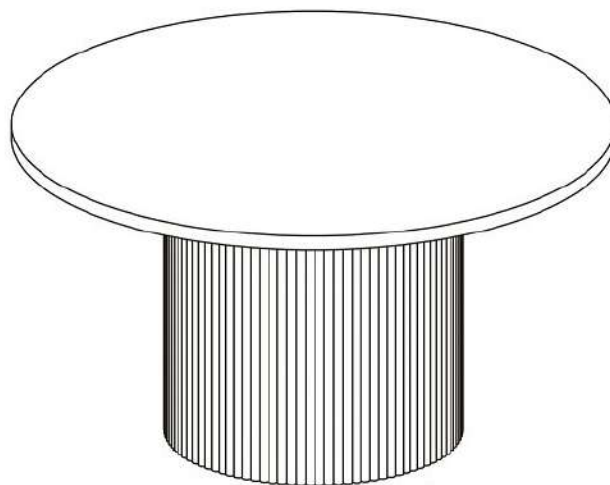
Note: Align MDF plate holes with top holes as shown in image

2



Note: Manually assemble top and base together using bolt and washer. Then fully tighten the bolt with the help of allen key. Do not over tighten the bolt.

3



NOTE: For questions about parts or assembly please email support@meridianfurnitureusa.com or call us at 718-758-4455.

www.MeridianFurnitureUSA.com | support@meridianfurnitureusa.com