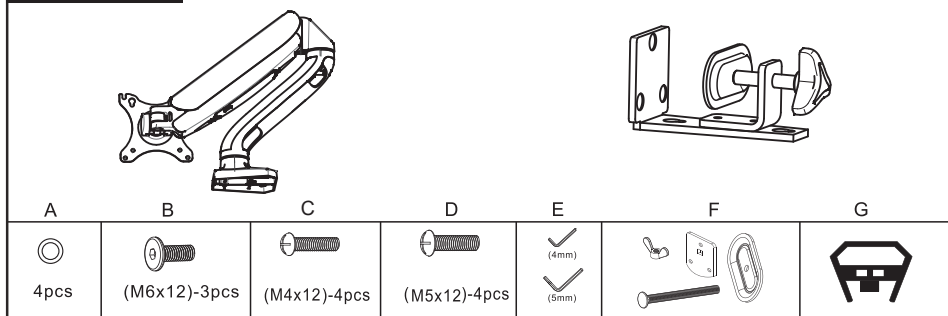
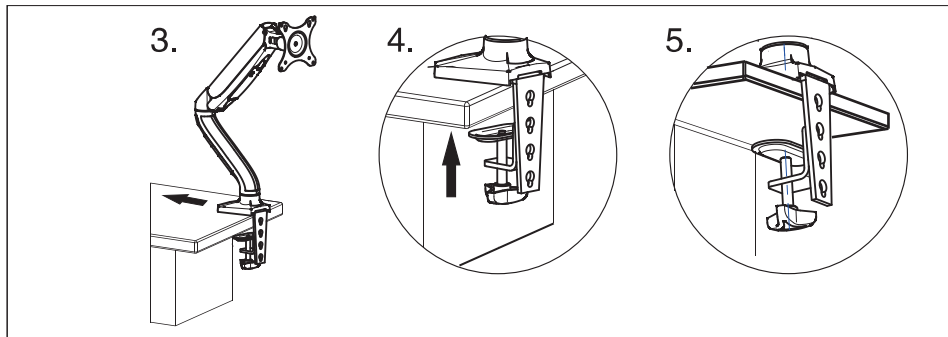
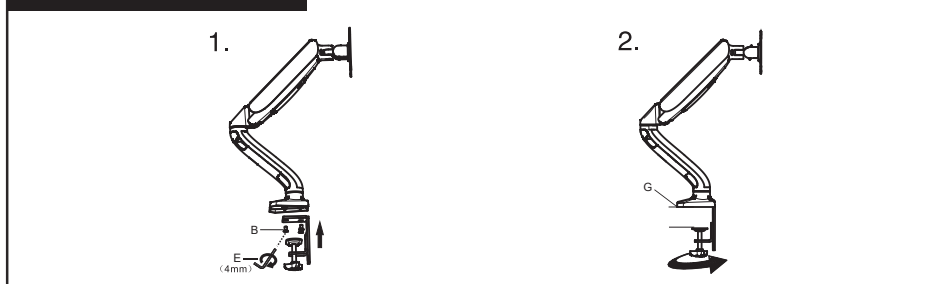


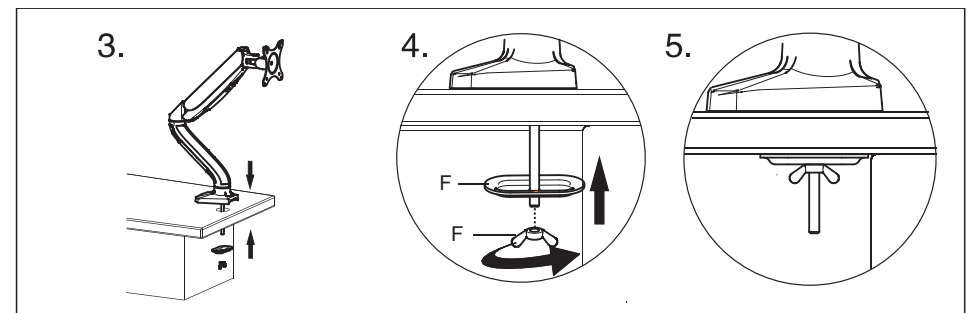
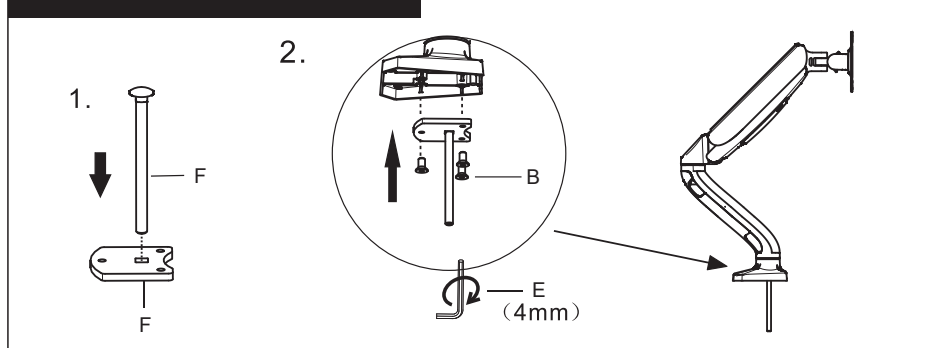
## Parts List



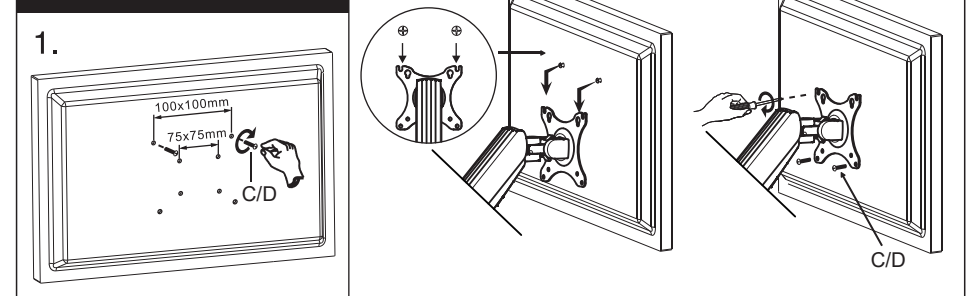
## Clamp Installation



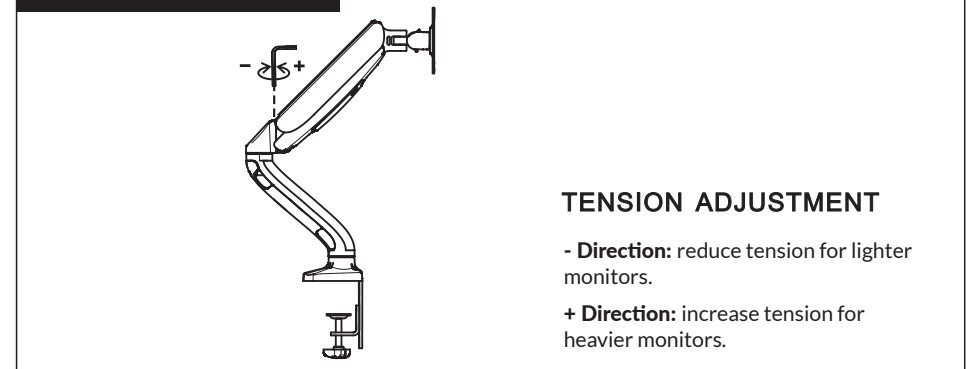
## A2. Grommet Installation



## B. Screen Mounting



## Tension Adjustment



## D. Tilt Adjustment

