

General Guidelines

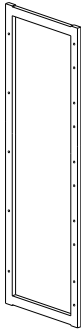
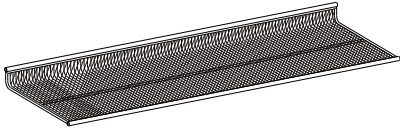
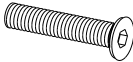


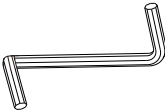
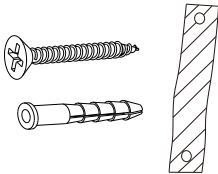
- Please read the following instruction carefully and use the product accordingly.
- Please keep this manual and hand it over when you transfer the product.
- This summary may not include every detail of all variations and considered steps. Please contact us when further information and help are needed.

Notes

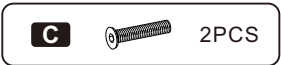
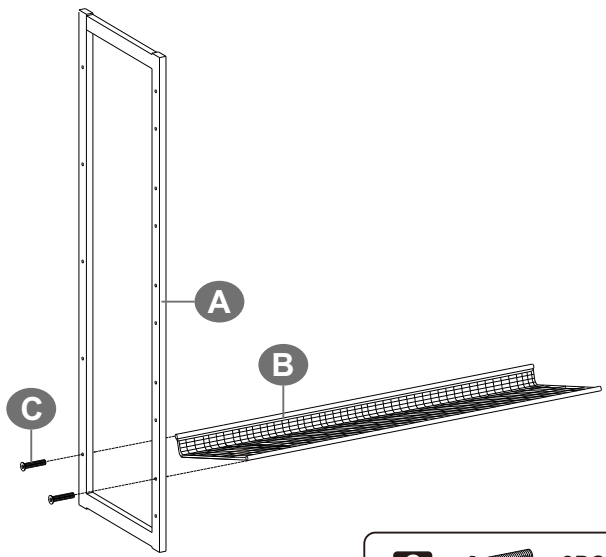
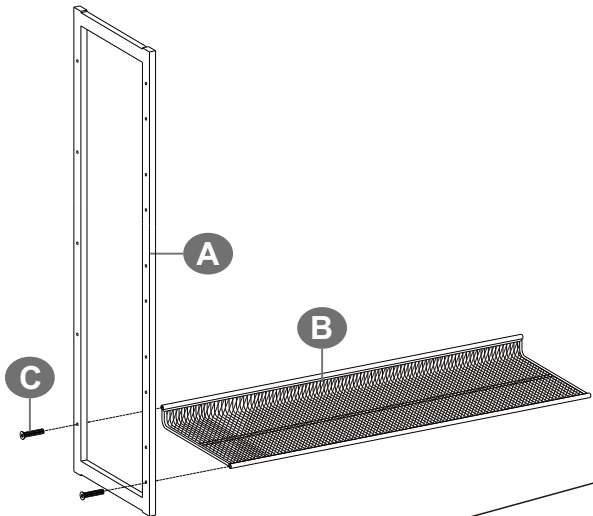
- The shoe rack is adjustable to be horizontal or oblique to meet your needs.
- The adjustable feet can avoid wobbling caused by uneven ground effectively.
- Please tighten the screws by the end of assembly.
- It's suggested that two people complete the assembly.

Warnings

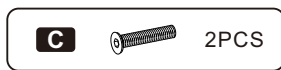
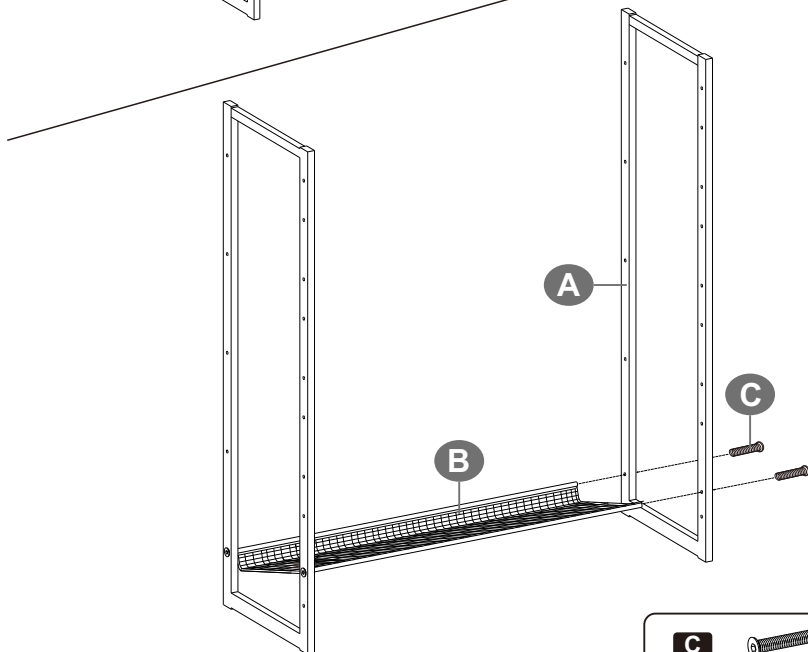
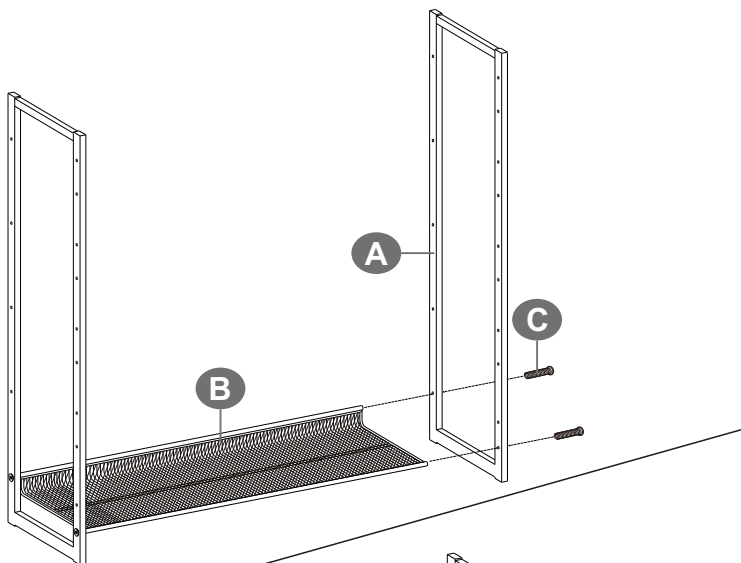
- No children climbing the rack.
- To avoid children swallowing, please keep children away from the item parts.
- The average bearing load of each tier is 22 lbs (10kg). The item can only be used for storing shoes. No other purposes allowed.
- 2 spare plastic connectors are included in each parcel. If you have purchased 2 identical shoe racks, you can use the spare connectors to stack them together; if you have purchased 1 shoe rack only, please keep the spare connectors for future use.
- You can buy another of this 5-tier rack and stack it with the one you already have for added storage; in this case, please note that anti-toppling devices are required for extra stability, or you can choose two 2-tier shoe racks and stack them together as needed.
- Avoid acid and alkali environment. For daily maintenance, please wipe with a soft towel and branch water.

<p>A  × 2</p>	<p>B  × 5</p>	
<p>C  × 20</p>	<p>D  × 4</p>	
<p>E  × 2</p>	<p>F  × 1</p>	<p>G  × 1</p>

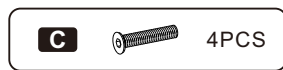
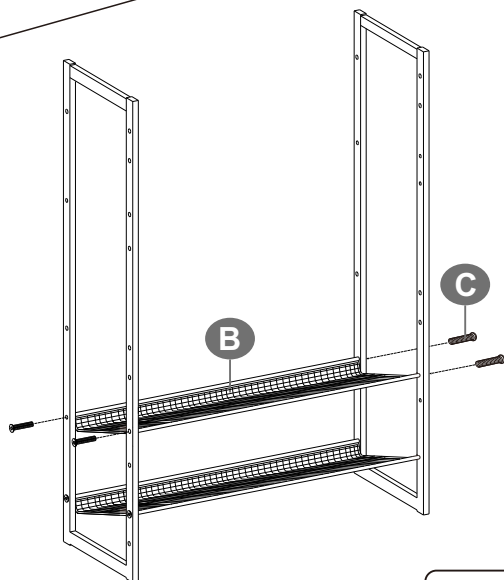
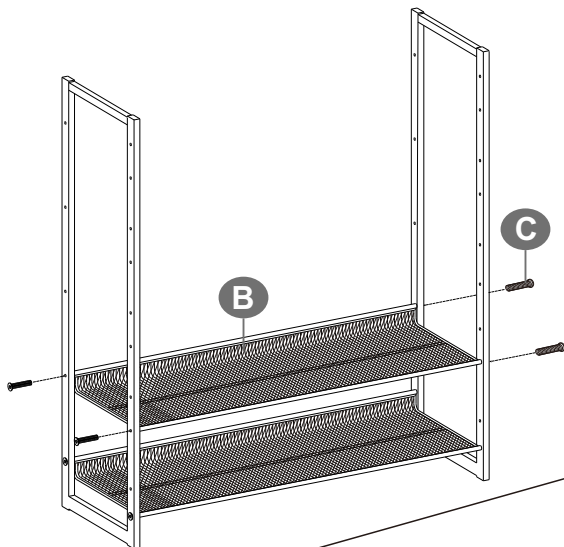
1



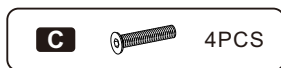
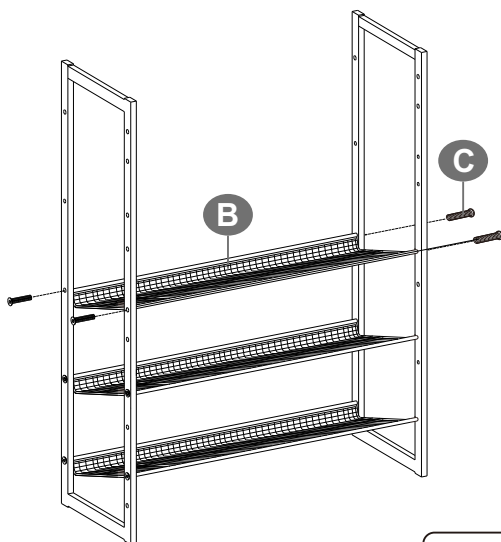
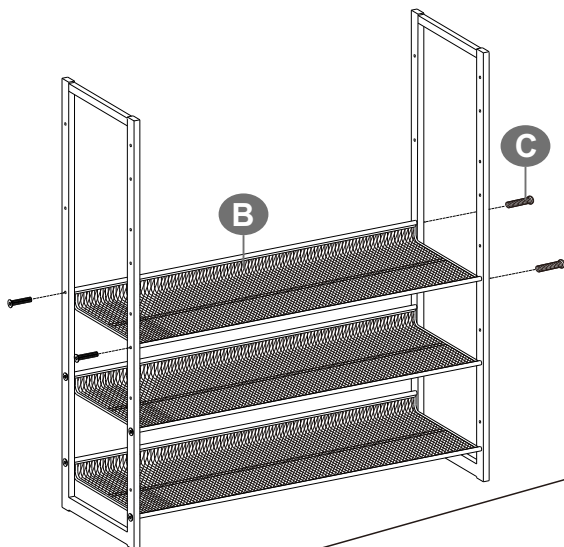
2



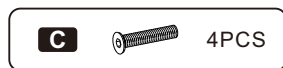
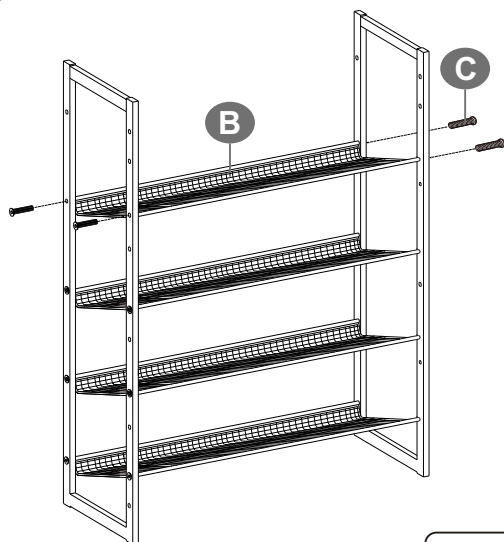
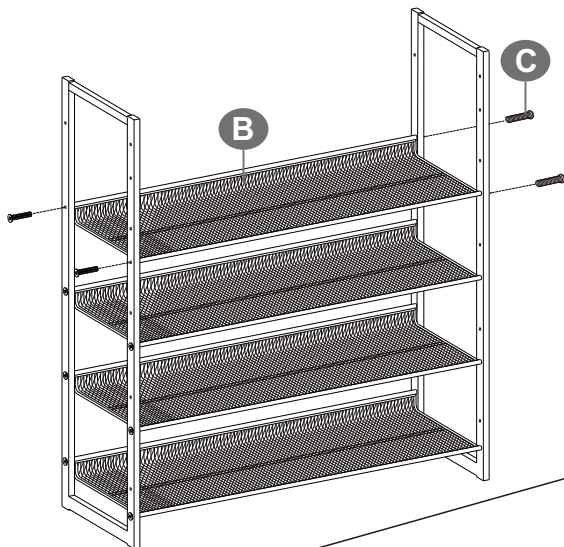
3



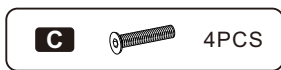
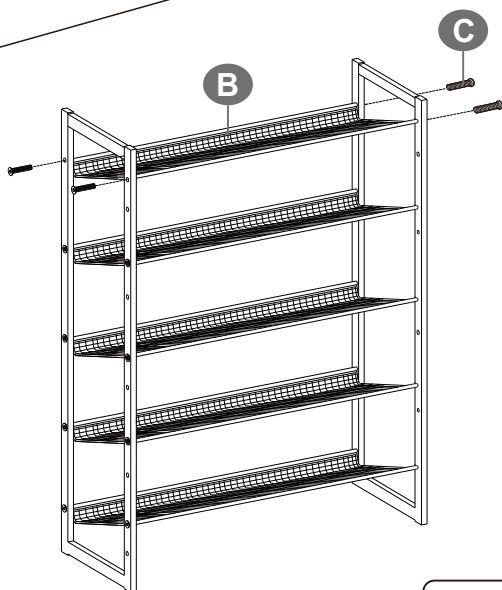
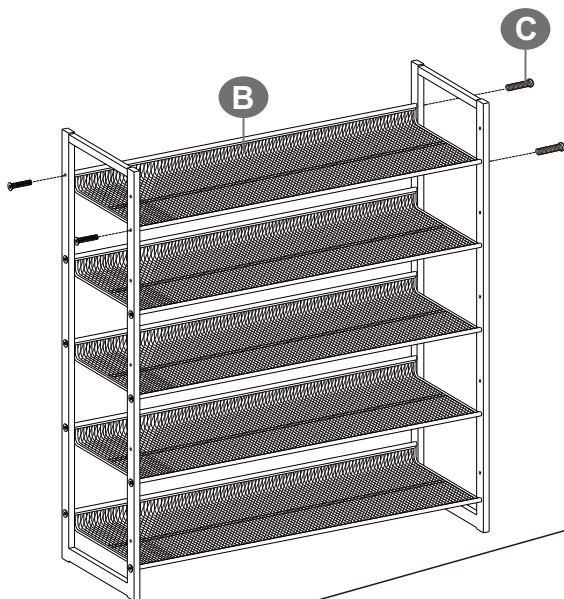
4



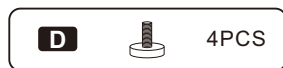
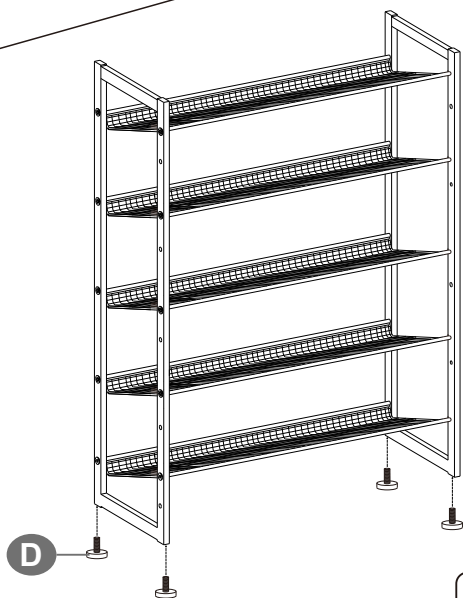
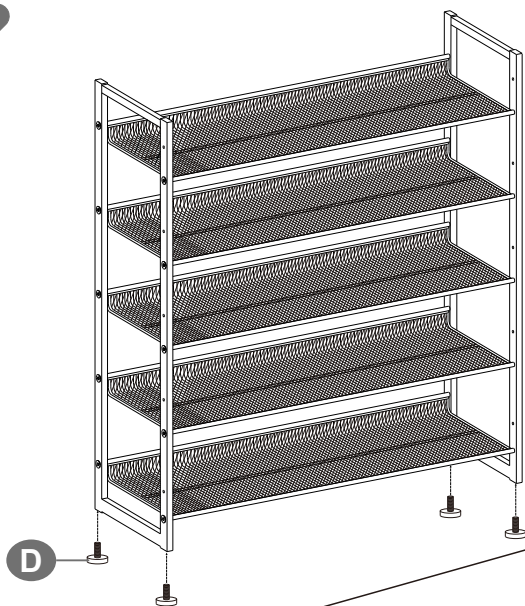
5



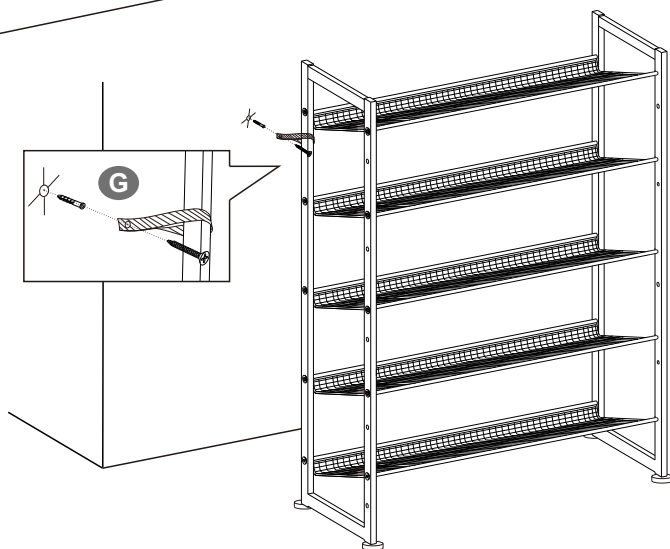
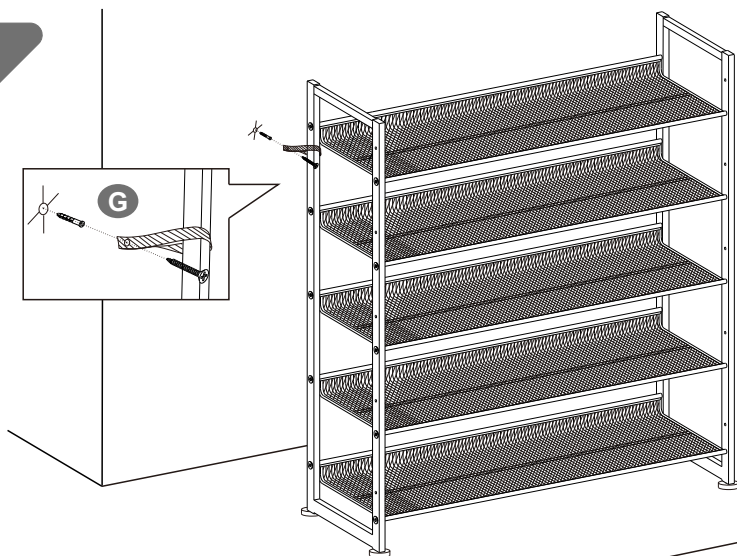
6



7



8



9

- 2 spare plastic connectors are included in each parcel. If you have purchased 2 identical shoe racks, you can use the spare connectors to stack them together; if you have purchased 1 shoe rack only, please keep the spare connectors for future use.
- You can buy another of this 5-tier rack and stack it with the one you already have for added storage; in this case, please note that anti-toppling devices are required for extra stability. Or, you can choose two 2-tier shoe racks and stack them together as needed.

