






# ASSEMBLY INSTRUCTIONS

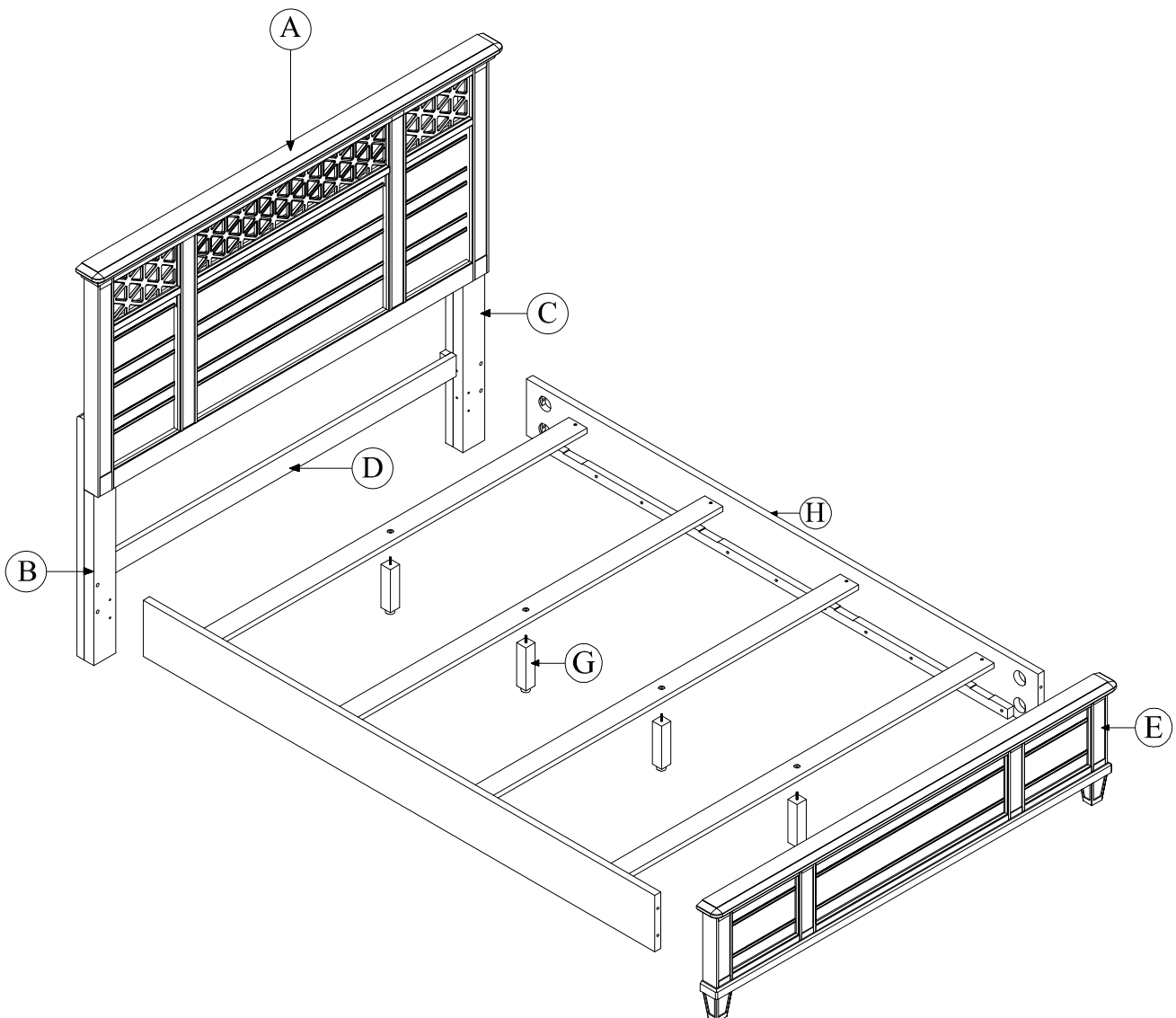
## King/Queen Bed Rails (5/0-6-6)

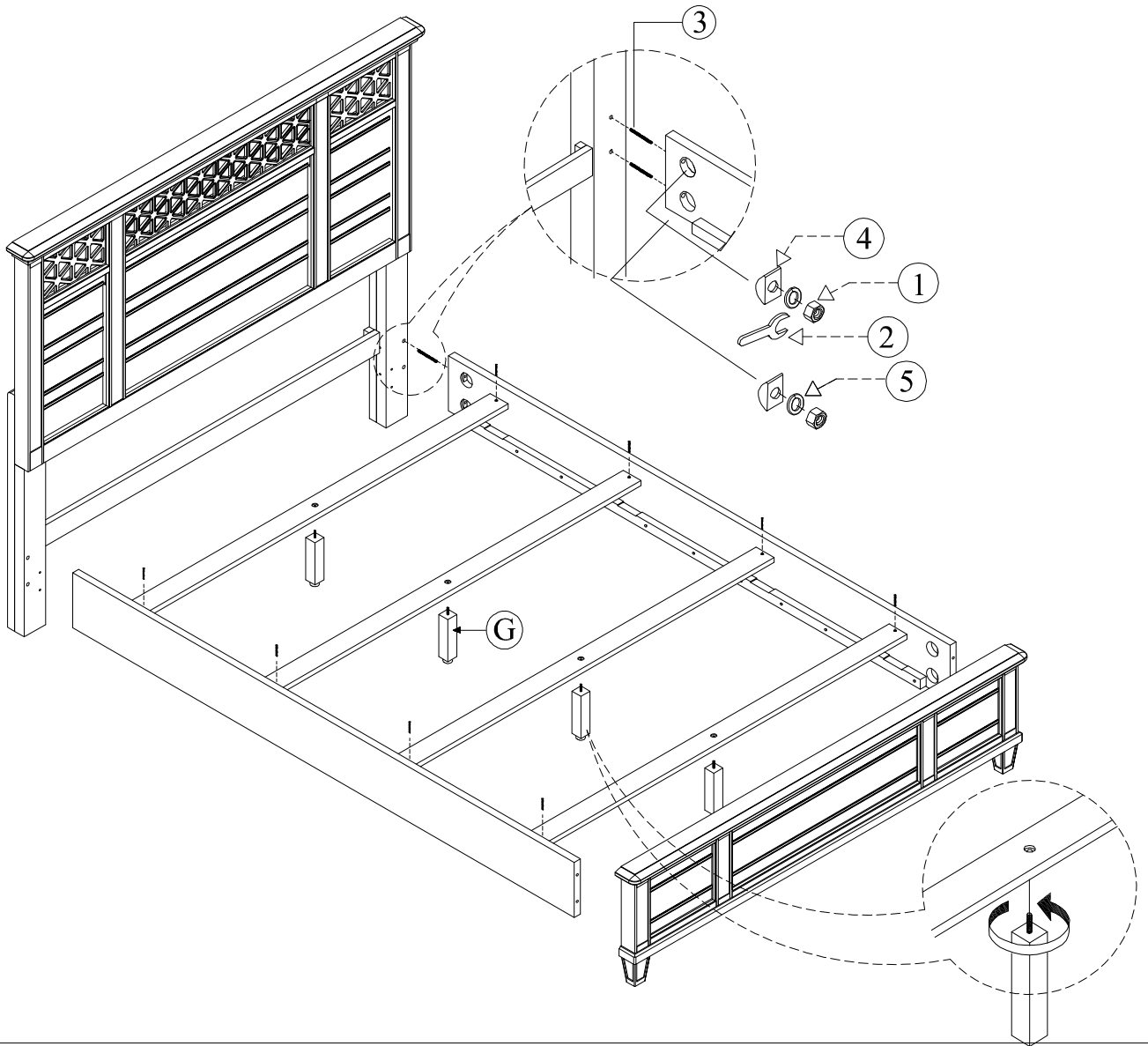
Thank you for purchasing this quality product. Be sure to check all packing material carefully for small parts, which may have come loose inside the carton during shipment. Identify and count all part and compare with the Hardware List below.

Side Rails	No.	Description			Qty
	H	Side Rails			1 Pc

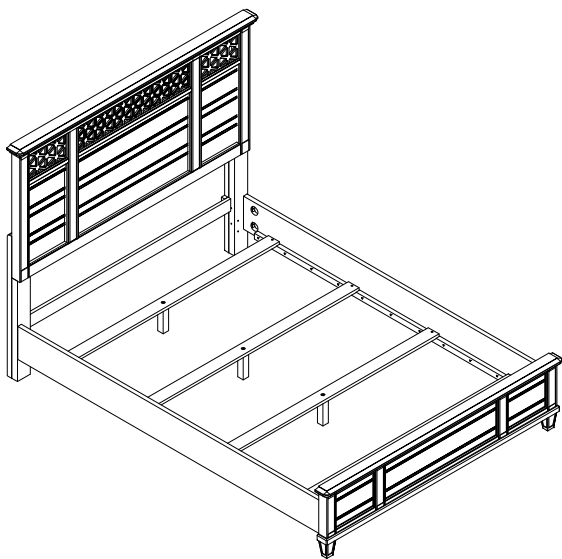
  

Hardware List	No.	Picture	Description	Dimension	Qty
	1		Hexagonal Nut	M8 x 15 x 2 mm	8 Pcs
	2		Wrench	13 mm	1 Pc
	3		Long Bolts	M8 x 100 mm	8 Pcs
	4		Squer Washer	M8 x 18 x 2 mm	8 Pcs
	5		Lock Washer	Ø13 x Ø8 x 1 mm	8 Pcs

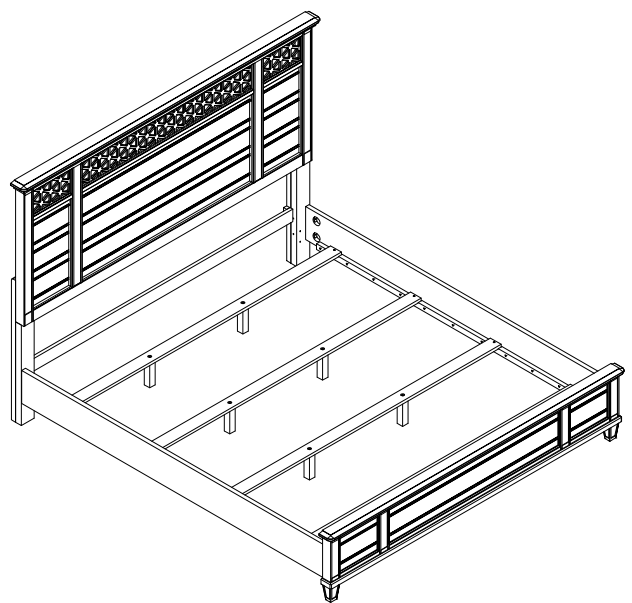




Full Set



QUEEN



KING