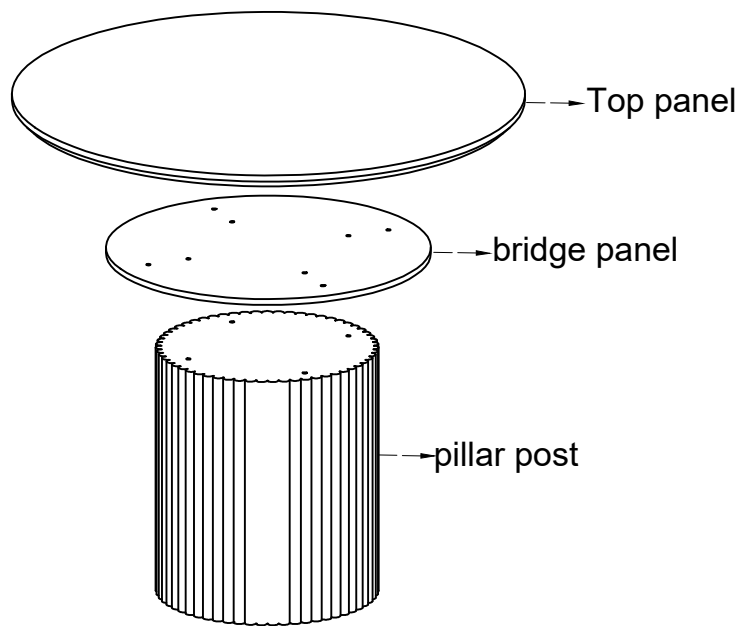
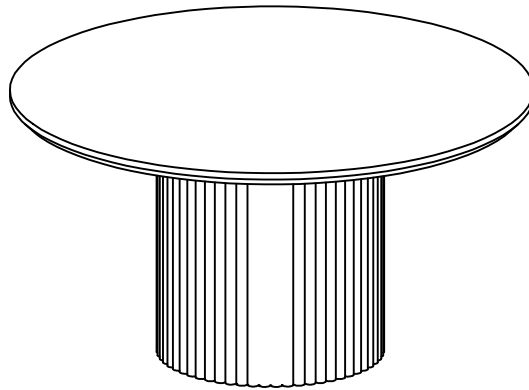
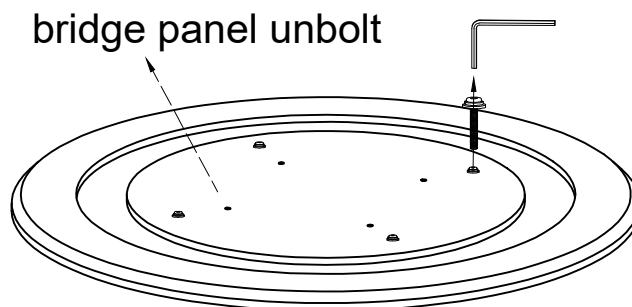





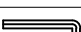
ASSEMBLY INSTRUCTIONS



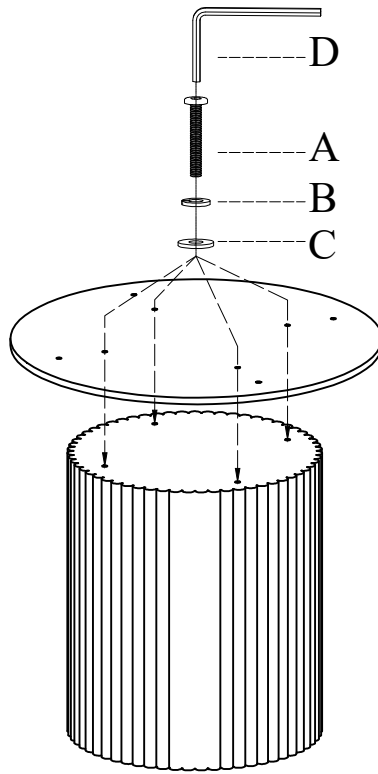
Step 1



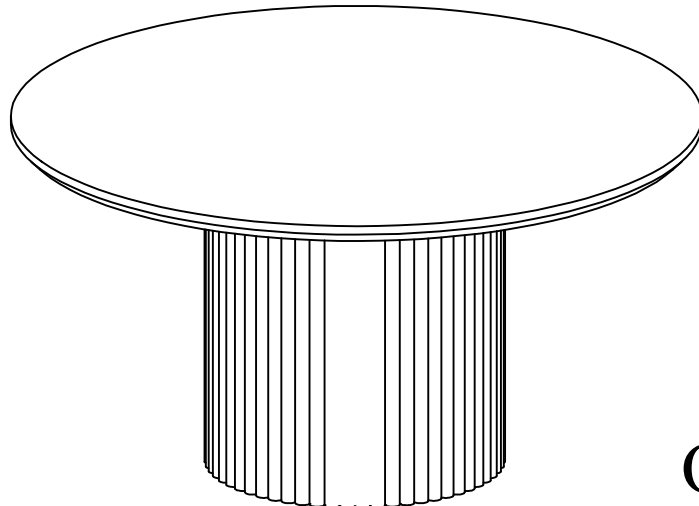
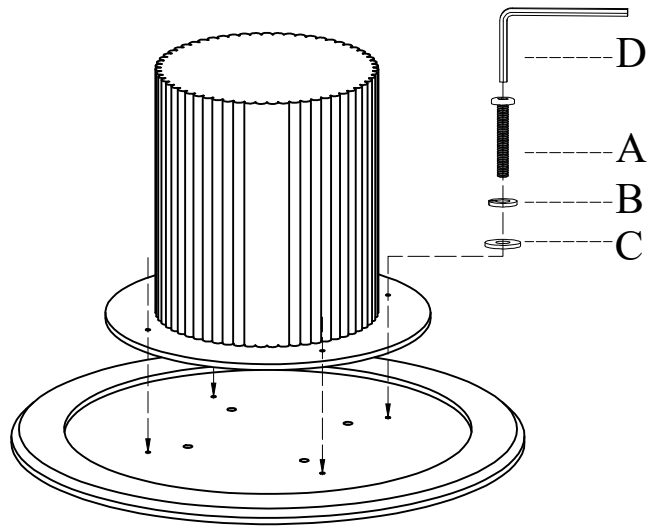
HARDWARE LIST

A		Bolt (Ø5/16"*1-1/4")	4pcs
B		Lock Washer (Ø5/16")	4pcs
C		Flat Washer (Ø5/16"*Ø3/4")	4pcs
D		Allen Wrench (5mm)	1pc

Step 2



Step 3



OK