

# ASSEMBLY INSTRUCTIONS

## DRESSER

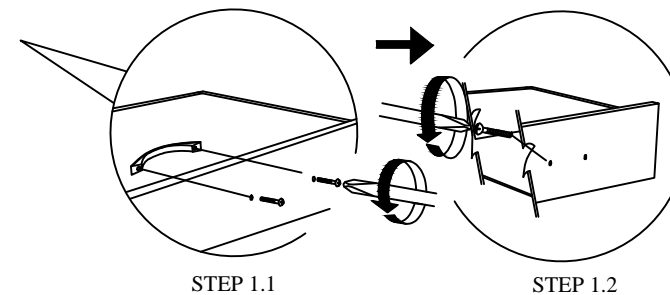
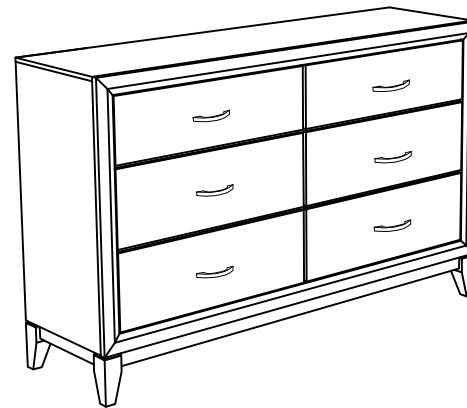
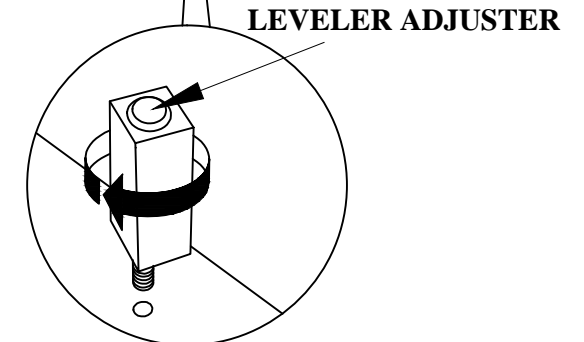
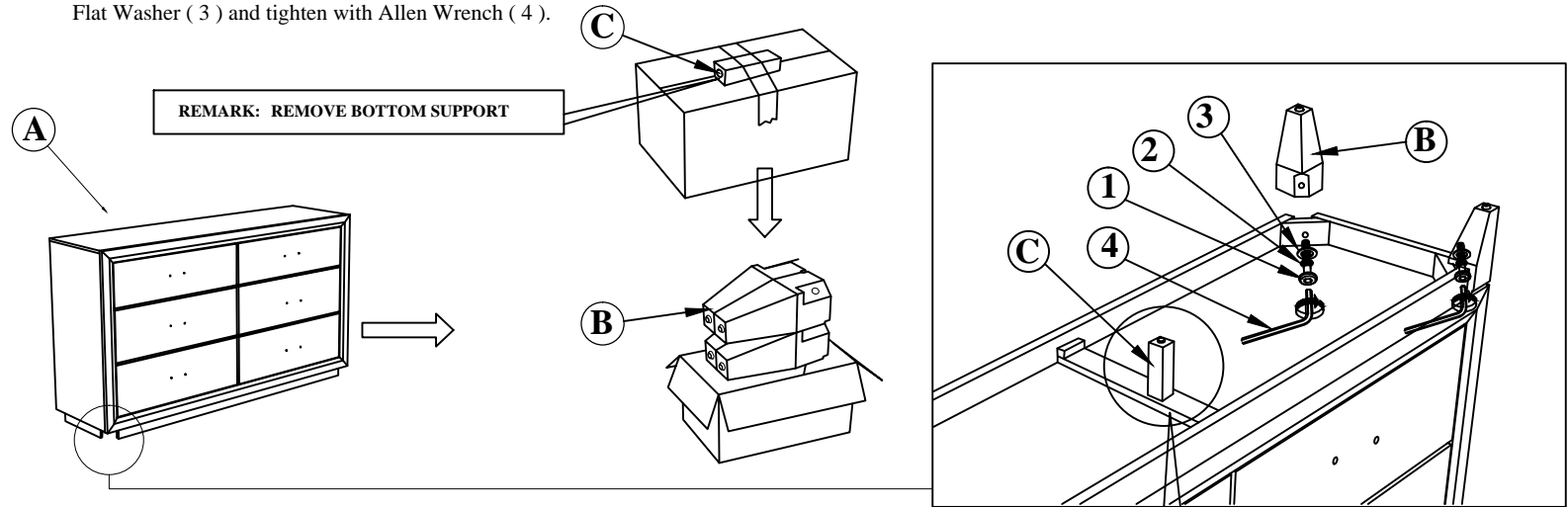
### (BOX 1) BOX OF DRESSER

NO	ITEM	QTY
A	DRESSER	1 pc
B	BUN FOOT	4 pcs
C	BOTTOM SUPPORT	1 pc

### (BOX 1) HARDWARE LIST

NO	ITEM	QTY
1	JCBC M6 x 50mm	4 PCS
2	Spring Washer 1/4" Rbw	4 PCS
3	Flat Washer 1/4"ID x 19mmOD Blk	4 PCS
4	ALLEN KEY m4x65mm Blk	1 pc

**STEP 1 :** Pull the drawer and take out the Bunfoot carton ( B ). Attach the Bunfoot ( B ) at the bottom Night Stand ( A ) used JCBC ( 1 ) with Spring Washer ( 2 ) Flat Washer ( 3 ) and tighten with Allen Wrench ( 4 ).



### COMPLETED ASSEMBLY

NOTE : MUST TIGHTEN SCREWS **PERIODICALLY** WITH USE SCREW WILL BECOME LOOSE CHECK TIGHTNESS OF ALL SCREW EVERY 6-8 WEEKS.