

# WARNING!!

Children have died from furniture tipover. Tip restraints have been included with this product; you must install the tip restraints according to these instructions in order to minimize the risk of furniture tipping. If you have any questions about this product or the tip restraint,

NEVER allow children to climb or hang on furniture, including drawers or cabinet doors.

In addition to installing the restrains, to help prevent tip-over

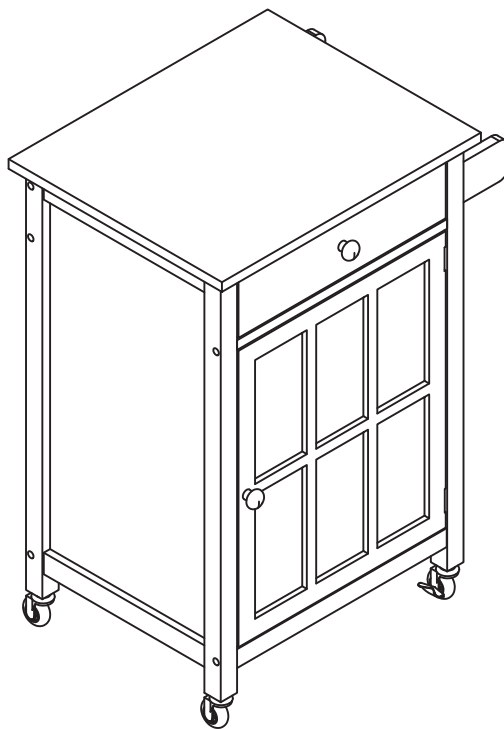
1. NEVER put a TV or other heavy objects on top of this product".
2. Do not stand on the product

<b>⚠ WARNING</b>	
	<p><b>Children have died from furniture tipover. To reduce the risk of furniture tipover:</b></p> <ul style="list-style-type: none"><li>• ALWAYS install tipover restraint provided.</li><li>• NEVER put a TV on this product.</li><li>• NEVER allow children to stand, climb or hang on drawers, doors, or shelves.</li><li>• NEVER open more than one drawer at a time.</li><li>• Place heaviest items in the lowest drawers.</li><li>• Do not defeat or remove the drawer interlock system.</li></ul>
	<p><i>This is a permanent label. Do not remove!</i></p>

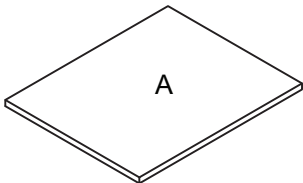
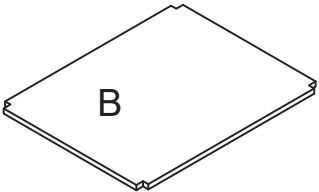
# Assembly Instructions

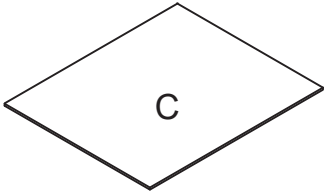


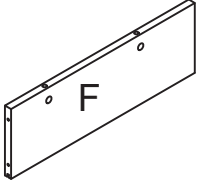
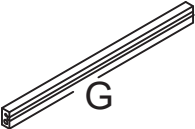
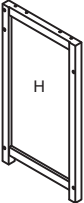

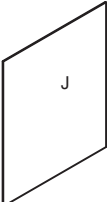
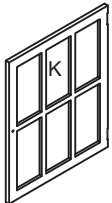
Caution : You must read this before you proceed

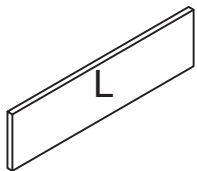
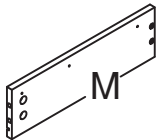
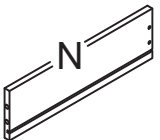
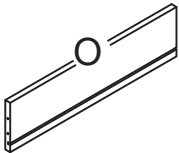
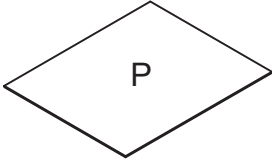

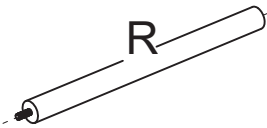
## kitchen cart







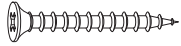
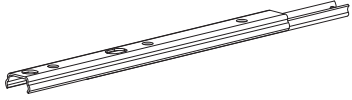
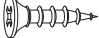

## Parts List


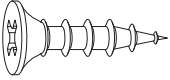

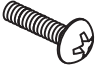
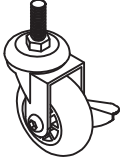
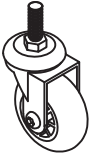


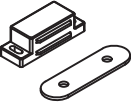


Label	Picture	Description	QTY
A		Top Board	1
B		Shelf Board	1

C	 A diamond-shaped board with the letter 'C' in the center.	Bottom Board	1
D	 A long, thin rectangular board with the letter 'D' at the right end.	Supprt Board	1
E	 A long, thin rectangular board with the letter 'E' at the right end.	Supprt Board	1
F	 A rectangular board with two small circles on its top edge and the letter 'F' in the center.	Back Board	1
G	 A long, thin rectangular board with the letter 'G' at the right end.	Supprt Board	1
H	 A rectangular panel with a double-line border and the letter 'H' in the center.	Left Side Panel	1
I	 A rectangular panel with a double-line border and the letter 'I' in the center.	Right Side Panel	1
J	 A rectangular board with the letter 'J' in the center.	Back Board	1
K	 A rectangular board divided into six rectangular sections by a grid, with the letter 'K' in the top-middle section.	Door Board	1

L		Drawer Front Board	1
M		Left Panel of drawer	1
N		Right Panel of drawer	1
O		Drawer back Board	1
P		Drawer Bottom Board	1
Q		Wood Block	2
R		Round stick	1

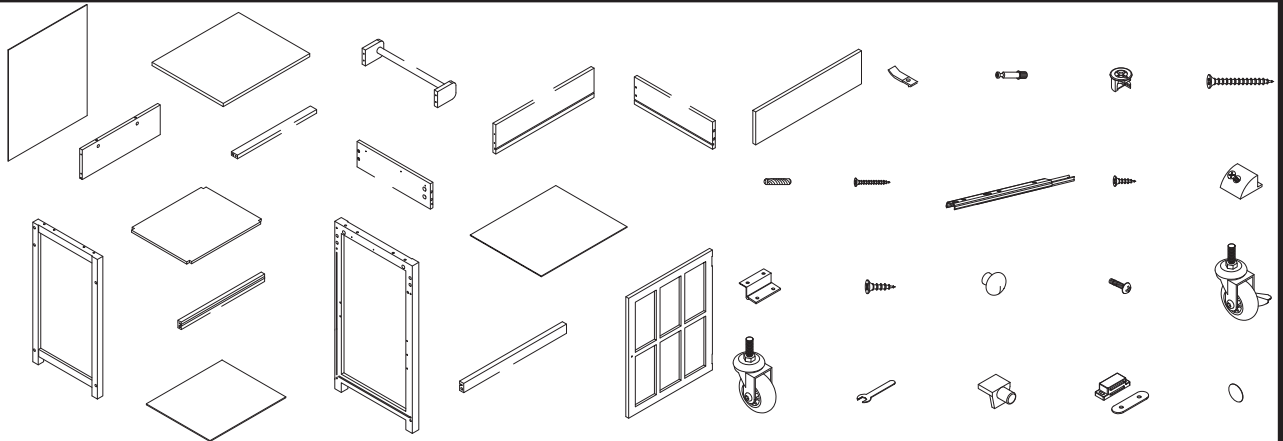
# Hardware

Label	Picture	Description	QTY
①		Cam Bolt(M6X35mm)	11
②		Cam Nut(M15X9mm)	11
③		Screw (M5x55mm)	15
④		Dowel (M6X30mm)	10
⑤		Screw (M4x25mm)	5
⑥		Guide Rail	2
⑦		Screw (M3.5x12mm)	3
⑧		Back plate buckle	6

⑨		Hinge	2
⑩		Screw (M3.5X12mm)	23
⑪		Knob(M6)	2
⑫		Screw (M4x25mm)	3
⑬		wheel	2
⑭		wheel	2
⑮		Wrench	1
⑯		Shelf Support	4
⑰		Magnet	1
⑱		Pad	11
⑲		Drawer Stopper	1

# Assembly Preparation

Before Beginning Assembly:



- Read instructions, cover to cover-



- Have 2 adults on hand for assembly-



- Do not assemble on flooring or carpet-



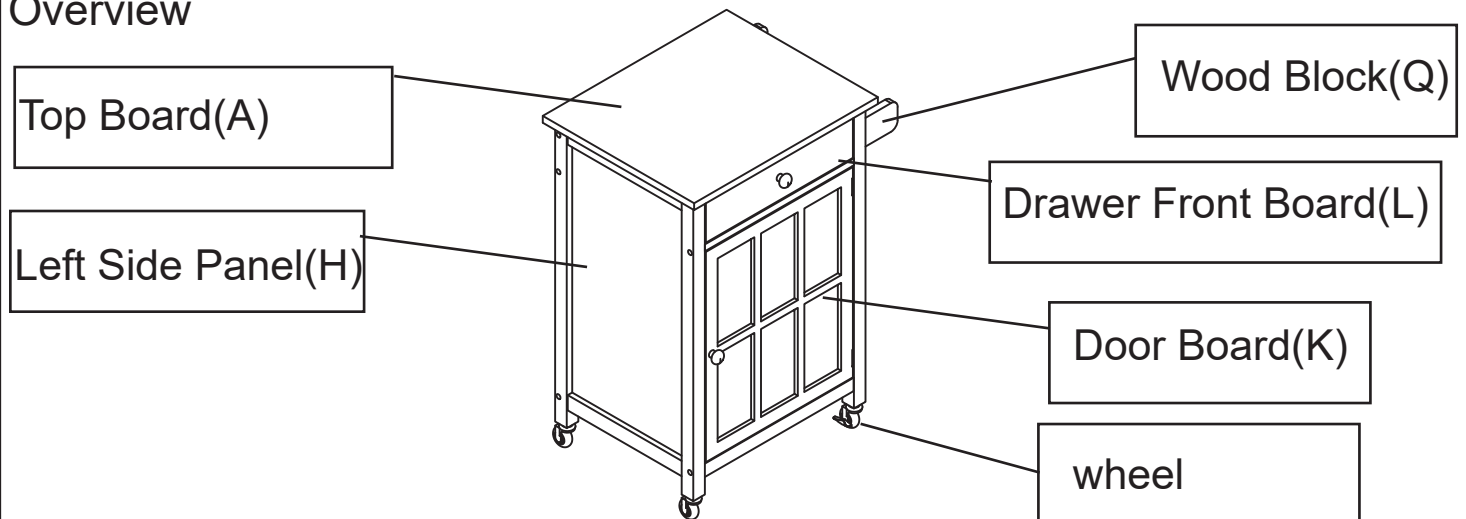
- Assemble on a clean non-marring surface (packing foam)-



- Save all packaging until finished-

# Assembly Steps

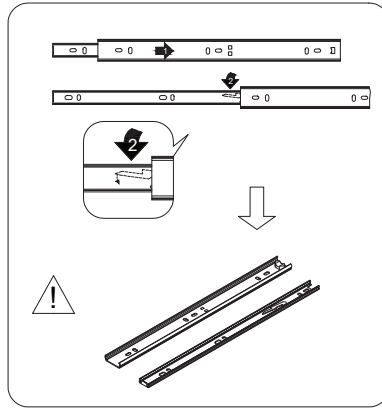
Overview



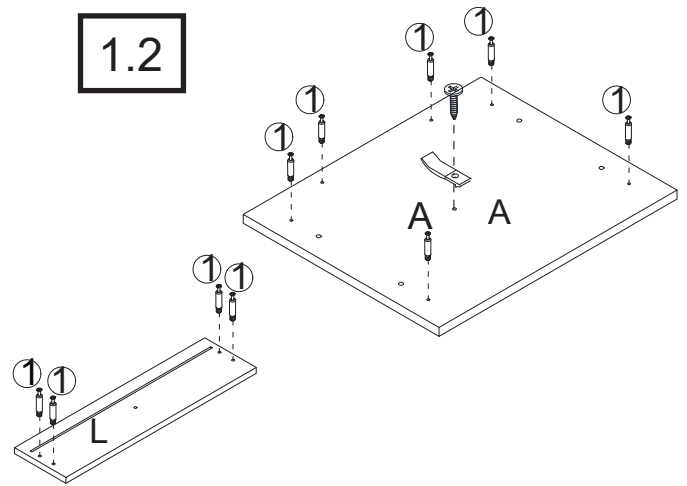
This Kitchen Cart has multiple parts and may require up to 30 minutes to assemble. To give you an overview of the Kitchen Cart parts, the above picture is to help you put the various parts into perspective. Please read through the instructions below to familiarise yourself with the parts and steps before assembly.

## Step 1

1.1



1.2



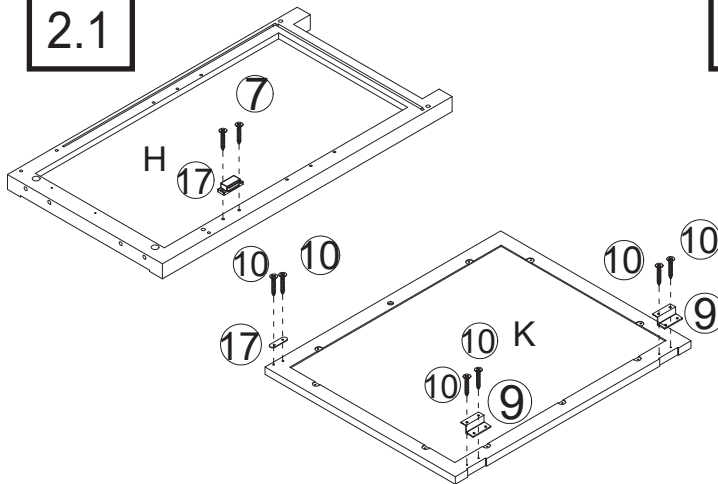
1.2) To separate Left Guide Rail ⑥ from one another

1.2) Insert Cam Bolt ① into the mounting positions on Top Panel (A), Drawer Front Board (L)

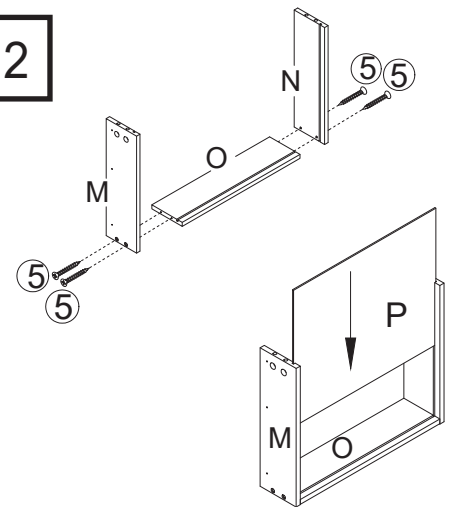
Attach Drawer Stopper ⑲ to Top Panel (A) with Screw ⑦.

## Step 2

2.1



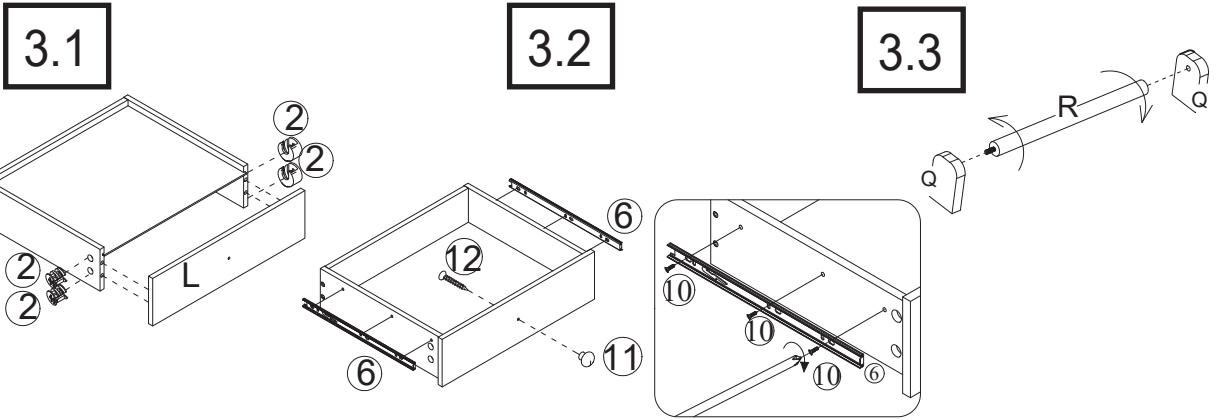
2.2



2.1) Attach Magnet ⑰ to the Left Side Panel (H) with Screw ⑦.  
Attach Magnet ⑰ to Door Board (K) with Screw ⑩.  
Attach Hinge ⑨ to Door Board (K) with Screw ⑩.

2.2) Attach Drawer Left Panel (M) and Drawer Right Panel (N)  
to the Right Side Panel (O) with Screw (⑤).  
Insert Drawer Bottom Board (P) into on Drawer Left Panel (M).

## Step 3

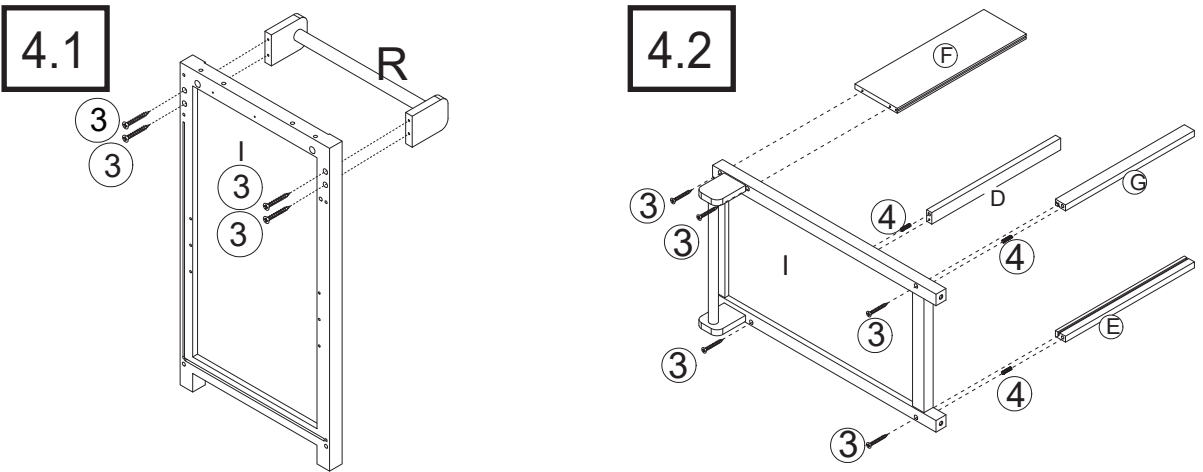


3.1) Insert Cam Nut ② into the mounting positions on the Drawer Left Panel ( M ) and Drawer Right Panel ( N ) .

3.2) Attach the Guide Rail ⑥ and Guide Rail ⑥ to the different face of Drawer Left Panel ( M ) and Drawer Right Panel ( N ) with Screw ⑩. Attach Handle ⑪ to Drawer Front Board ( L ) with Screw ⑫.

3.3) Place Wood Block ( Q ) onto Round stick ( R ).

## Step 4



4.1) Attach Round stick ( R ) to Right Side Panel ( I ) with Screw ③.

4.2) Attach Back Board ( F ) to Right Side Panel ( I ) with Screw ③.

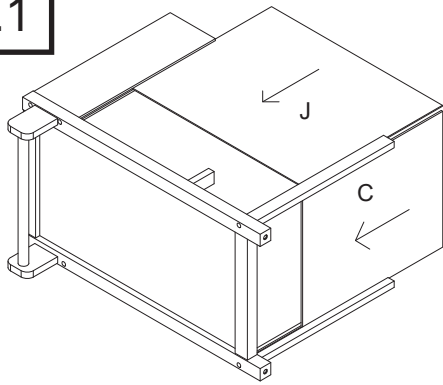
Attach Supprt Board ( D ) to Right Side Panel ( I ) with Screw ③ Dowel ④.

Attach Supprt Board ( G ) to Right Side Panel ( I ) with Screw ③ Dowel ④.

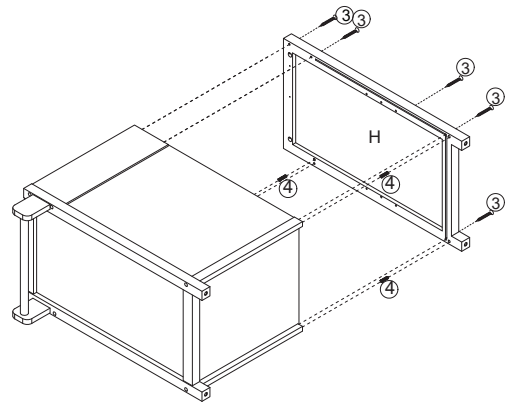
Attach Supprt Board ( E ) to Right Side Panel ( I ) with Screw ③ Dowel ④.

## Step 5

5.1



5.2



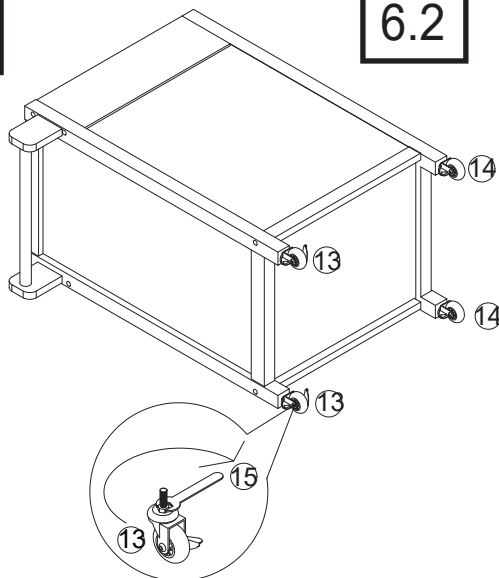
5.1) Insert Back Board(J) into the mounting positions on Back Board(F) and Supprt Board G.

Insert Bottom Board(C) into the mounting positions on Supprt Board(G) and Supprt Board(E).

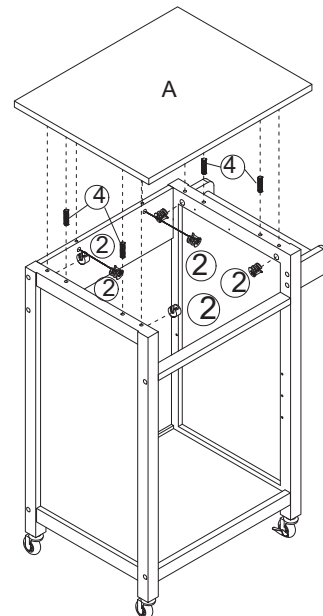
5.2) Attach Left Side Panel(H) to Back Board(F) with Screw ③ Dowel ④.

## Step 6

6.1



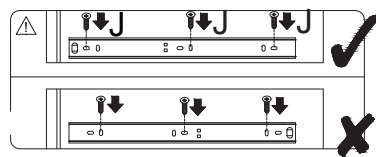
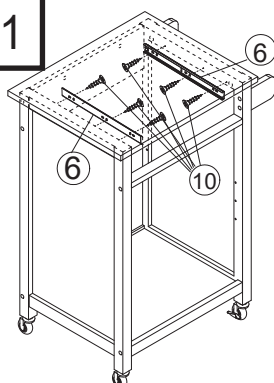
6.2



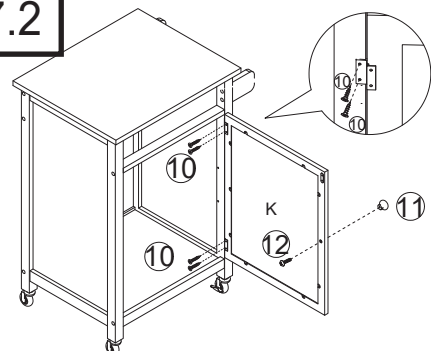
6.1) Attach wheel ⑬ to Left Side Panel (F) with Wrench ⑮.  
Attach wheel ⑭ to Left Side Panel (F) with Wrench ⑮.

## Step 7

7.1

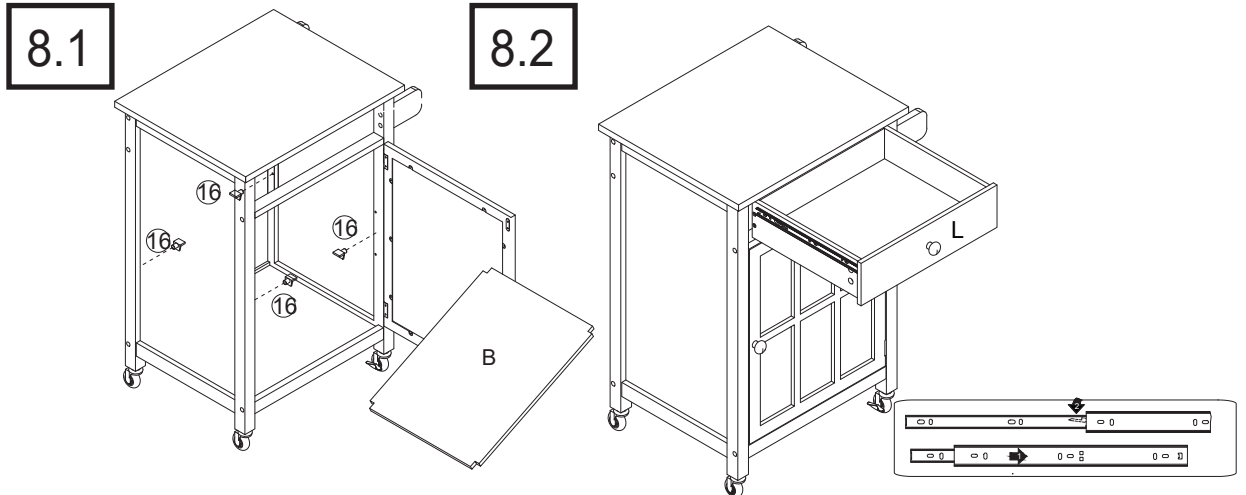


7.2



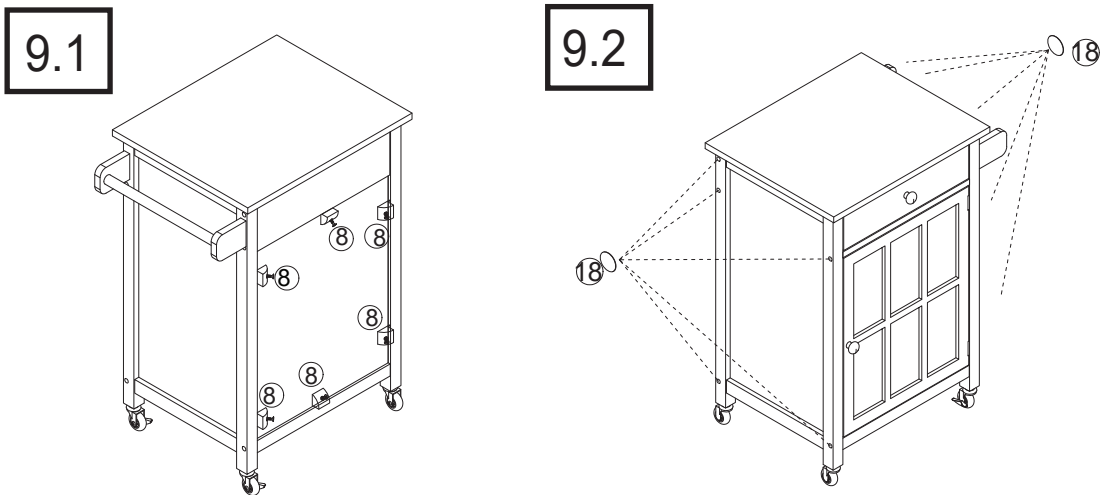
- 7.1) Attach Guide Rail⑥ to Right Side Panel( I ) with Screw⑩  
 Attach Guide Rail⑥ to Left Side Panel(H)with Screw⑩  
 7.2) Attach Hinge⑨to Right Side Panel( I ) with Screw⑩  
 Attach Knob⑪to Door Board(K) with Screw ⑫

## Step 8



- 8.1) Place Shelf Support⑩ onto the Left Side Panel(H)  
 Place Shelf Support⑩ onto Door Board(k)  
 Place Shelf Board(B) put into Shelf Support⑩  
 8.2) Put the drawer in like picture

## Step 9



- 9.1) Insert Back buckle (8) into the mounting positions on Back Board(J)  
 9.2) Attach Pad (18) to the side of four legs of the Kitchen cart to cover the hole.

Your Kitchen cart is ready for use.

**This Kitchen cart can only be used on a flat, level surface.**

## Care & Maintenance



- Furniture may scratch floors. We recommend using furniture pads to protect your floors.



- Do not put hot items directly on furniture surface.



- Do not clean furniture with harsh cleansers or polish.



- Do not place furniture under direct sunlight.



- Do not place furniture near heating or cooling vents.



- Do not write on furniture without a padded barrier to protect the surface.



- Do not place furniture outside . For indoor use only.



- Not for commercial use. For residential use only.



- Stains may be removed with mild soap solution and damp cloth.



- Children should not climb or jump on the furniture.



- Dust and pick-up spills using a clean, non-colored, lint-free cloth.