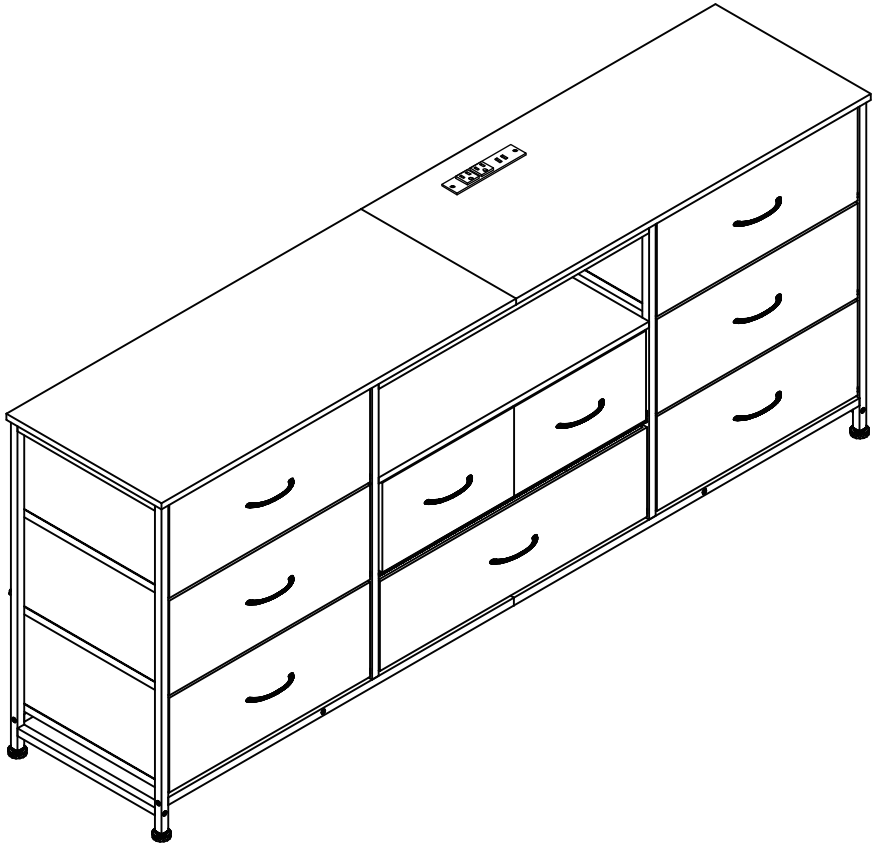


SKU:HK-DS-037-CL



C1-20250819

# 9 Drawers Dresser User Manual

# Before Assembly

Please read the USER MANUAL thoroughly for quick assembly, and check according to Accessories.



## Laying Protection:

To protect the product and your flooring during installation, please lay protection before installation



## No Electric Drill:

For longer use, please use the installation tools supplied with the product.



## 80% fixing screws:

For easy installation, fix the screws up to 80% first, and fasten the screws completely after completing the installation.



## Missing Parts or Broken:

Please feel free to contact us via Amazon Orders or Customer Support Email. We promise to ship the missing or replacement parts to you free of charge.



Any questions?

Please do not hesitate to contact us!





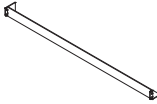




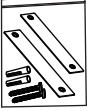

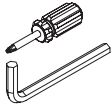

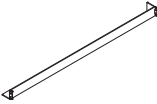
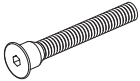
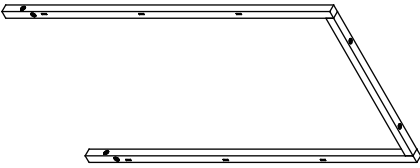
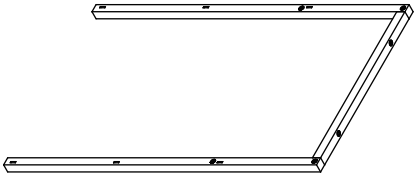
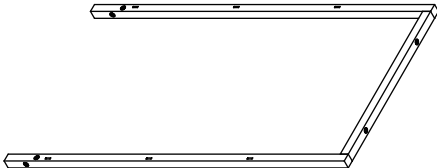
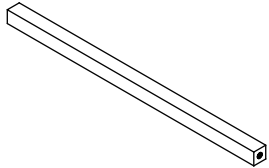
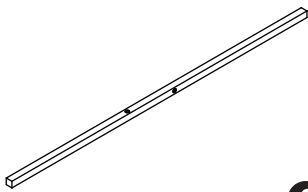


[Support@furnulem.com](mailto:Support@furnulem.com)

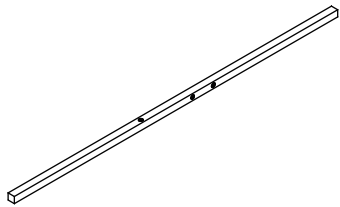




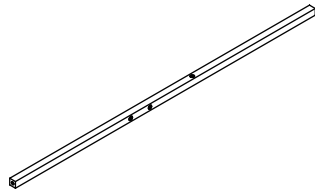
# Accessories

<p>M6*23</p>  <p><b>A</b> 35PCS</p>	<p>M6</p>  <p><b>B</b> 6PCS</p>	<p>M6*10</p>  <p><b>C</b> 9PCS</p>	<p>M4*10</p>  <p><b>D</b> 3PCS</p>	 <p><b>E</b> 8PCS</p>
 <p><b>F</b> 2PCS</p>	 <p><b>G</b> 1PC</p>	<p>M4*12</p>  <p><b>H</b> 20PCS</p>	 <p><b>I</b> 9PCS</p>	 <p><b>J</b> 1PC</p>
<p>LED</p>  <p><b>K</b> 1PC</p>	 <p><b>L</b> 1PC</p>	 <p><b>M</b> 3PCS</p>	 <p><b>N</b> 8PCS</p>	 <p><b>O</b> 5PCS</p>
 <p><b>1</b> 1PC</p>		 <p><b>2</b> 2PCS</p>		
 <p><b>4</b> 1PC</p>				
 <p><b>5</b> 2PCS</p>		 <p><b>6</b> 2PCS</p>		

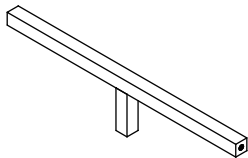
# Accessories



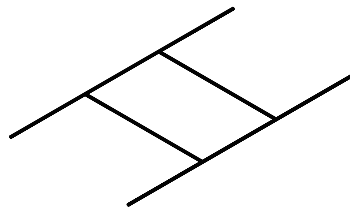
7 1PC



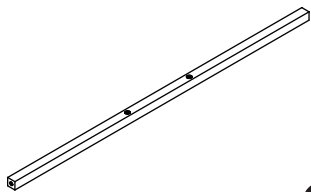
8 1PC



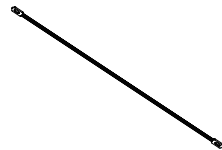
9 2PCS



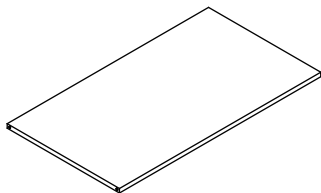
10 1PC



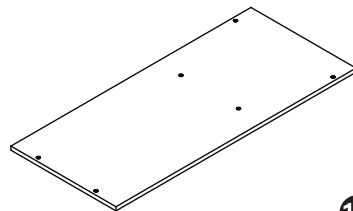
11 2PCS



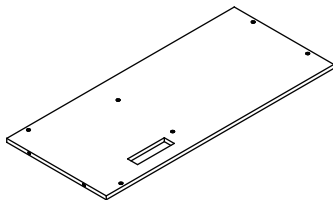
12 2PCS



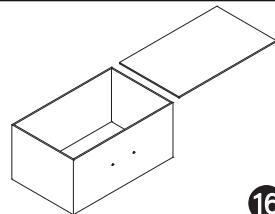
13 1PC



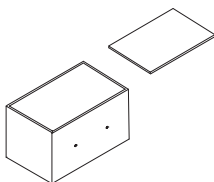
14 1PC



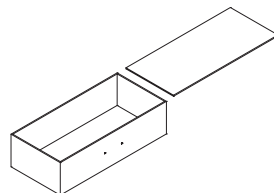
15 1PC



16 6PCS

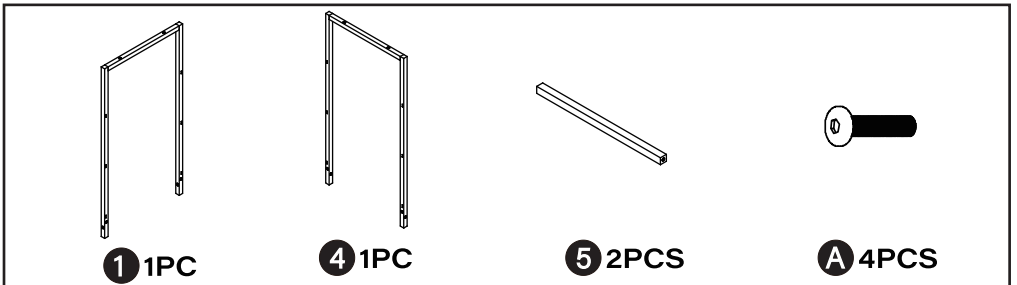
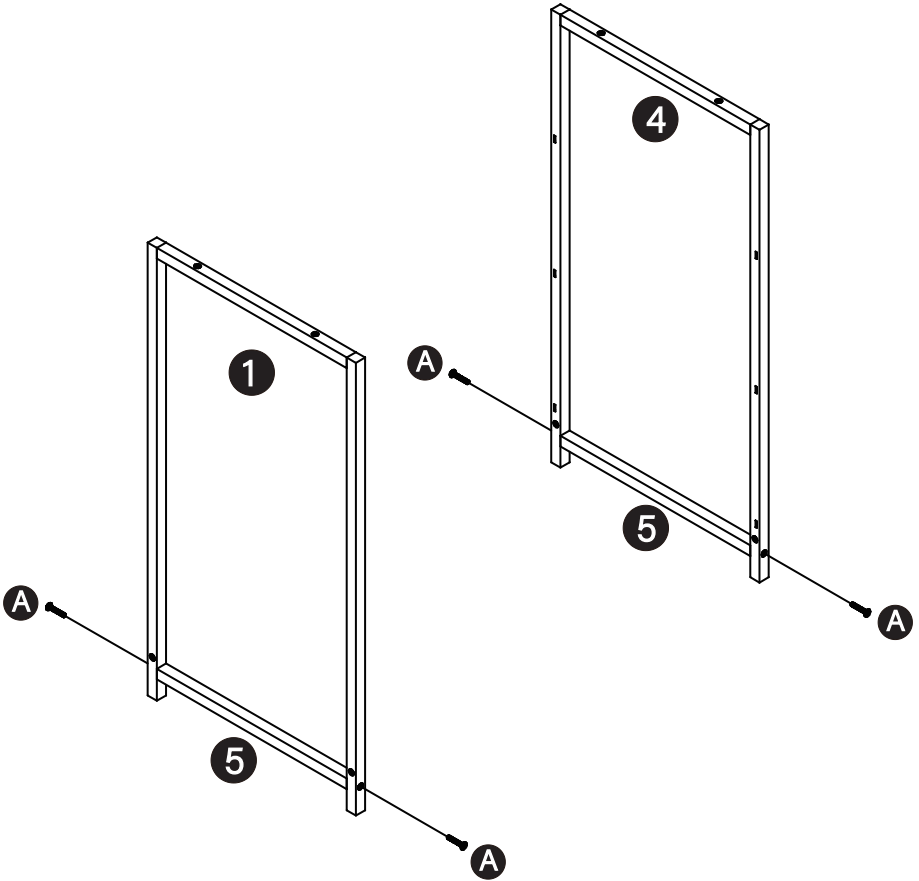


17 2PCS



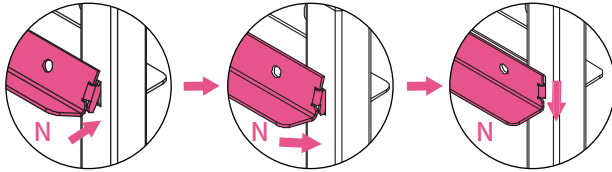
18 1PC

Step1: Assemble frames ① & ④ and tubes ⑤ with screws ④



# Step2: Insert both ends of the part **N** into the slots on the frame

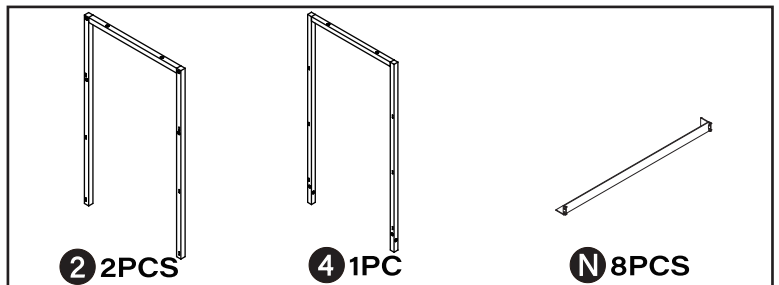
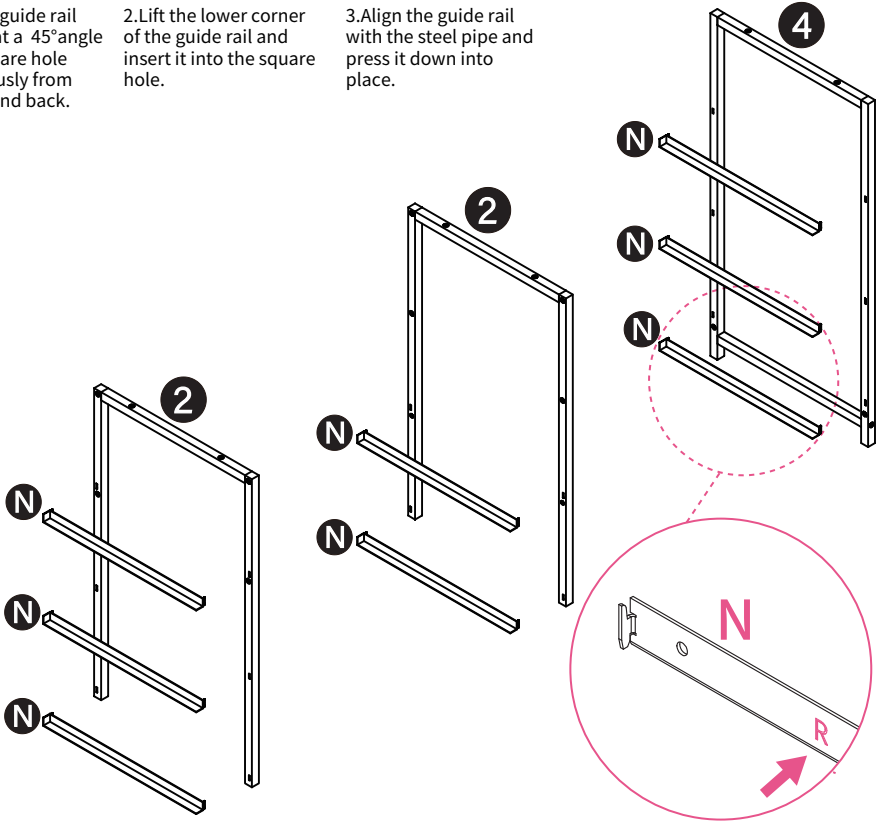
**2**, **4**



1. Insert the guide rail diagonally at a 45° angle into the square hole simultaneously from both front and back.

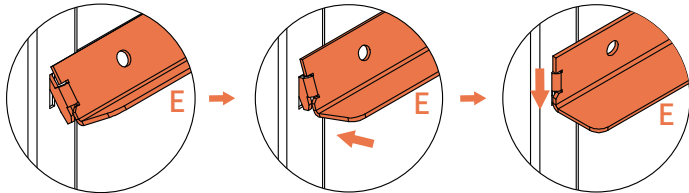
2. Lift the lower corner of the guide rail and insert it into the square hole.

3. Align the guide rail with the steel pipe and press it down into place.



# Step3: Insert both ends of the part **E** into the slots on the frame

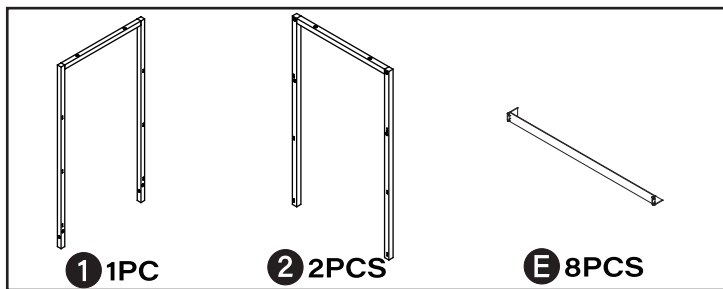
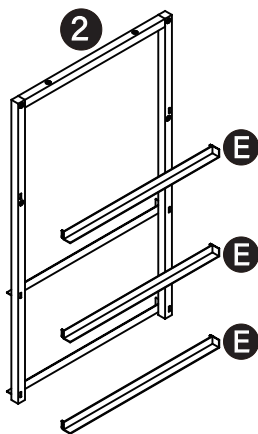
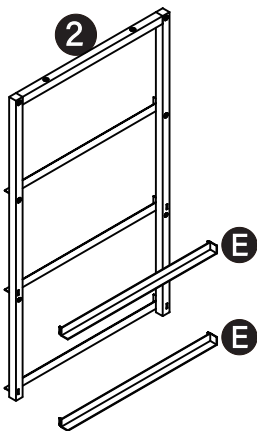
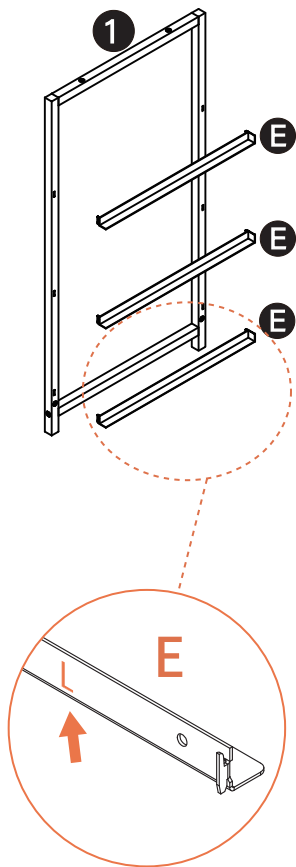
**1, 2**



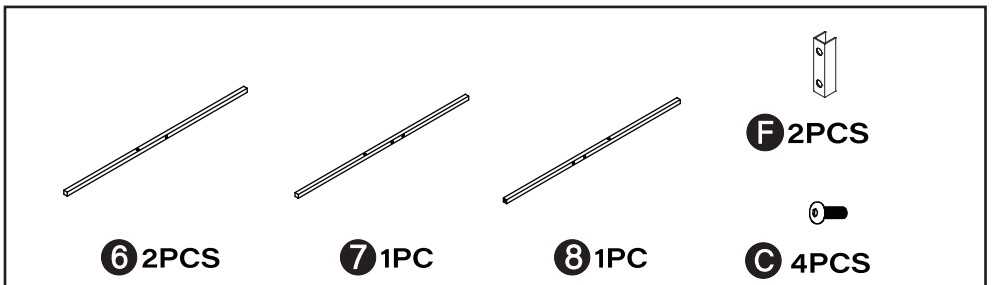
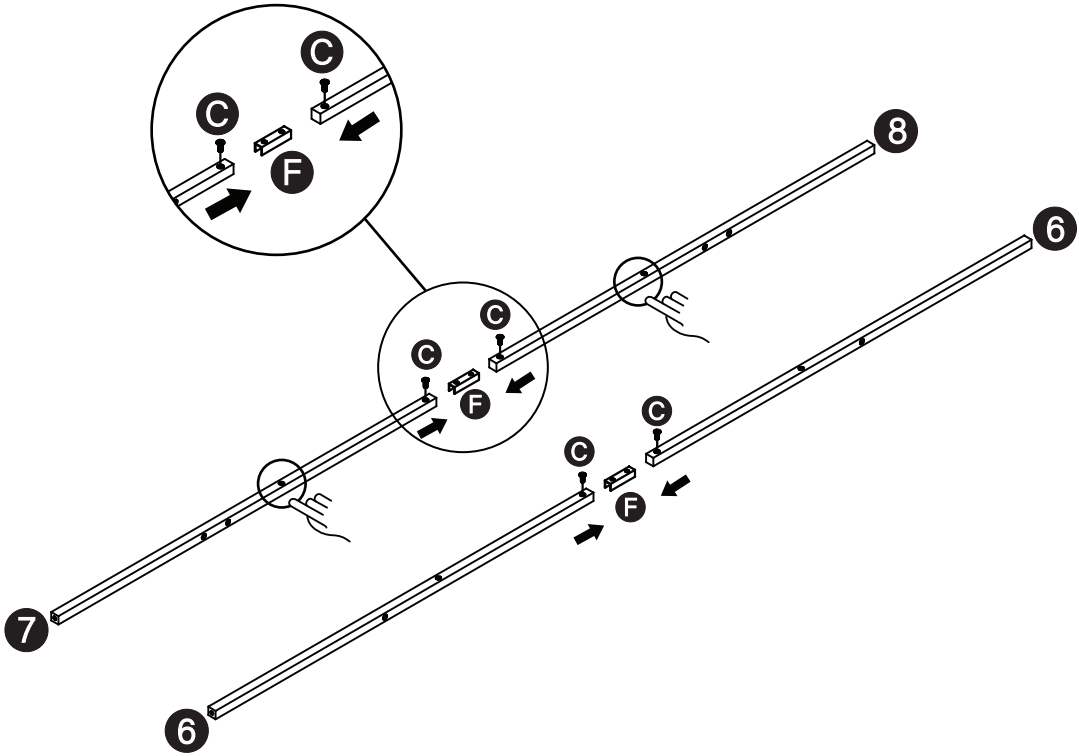
1. Insert the guide rail diagonally at a 45° angle into the square hole simultaneously from both front and back.

2. Lift the lower corner of the guide rail and insert it into the square hole.

3. Align the guide rail with the steel pipe and press it down into place.

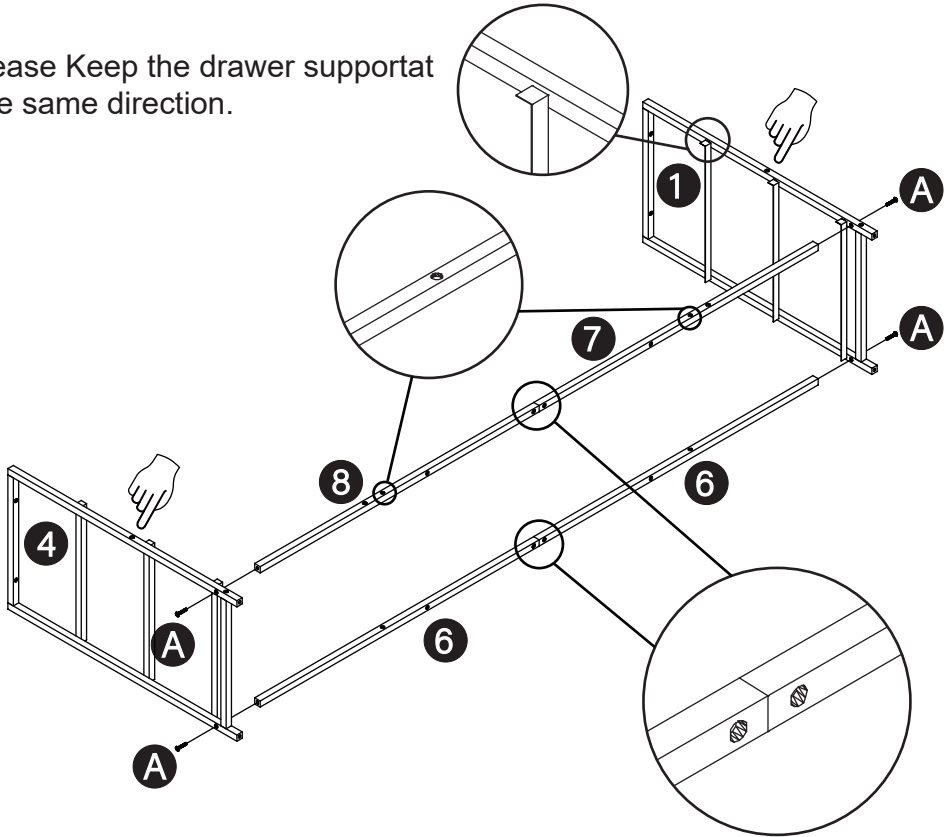


Step4:Assemble tubes ⑥, tubes ⑦ & ⑧ with connector ① and screws ②

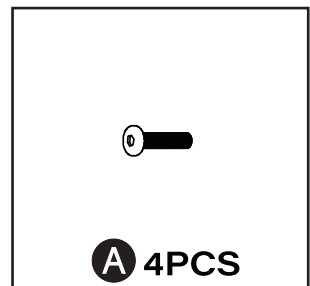


Step5: Assemble tubes ⑥ , tubes ⑦&⑧ and frames ① & ④ with screws ①A

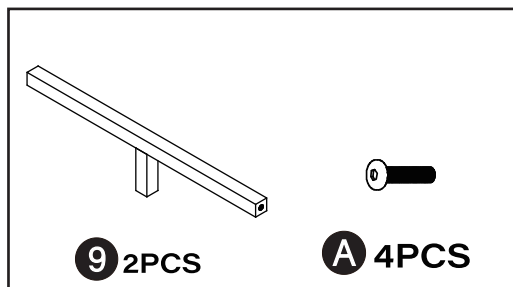
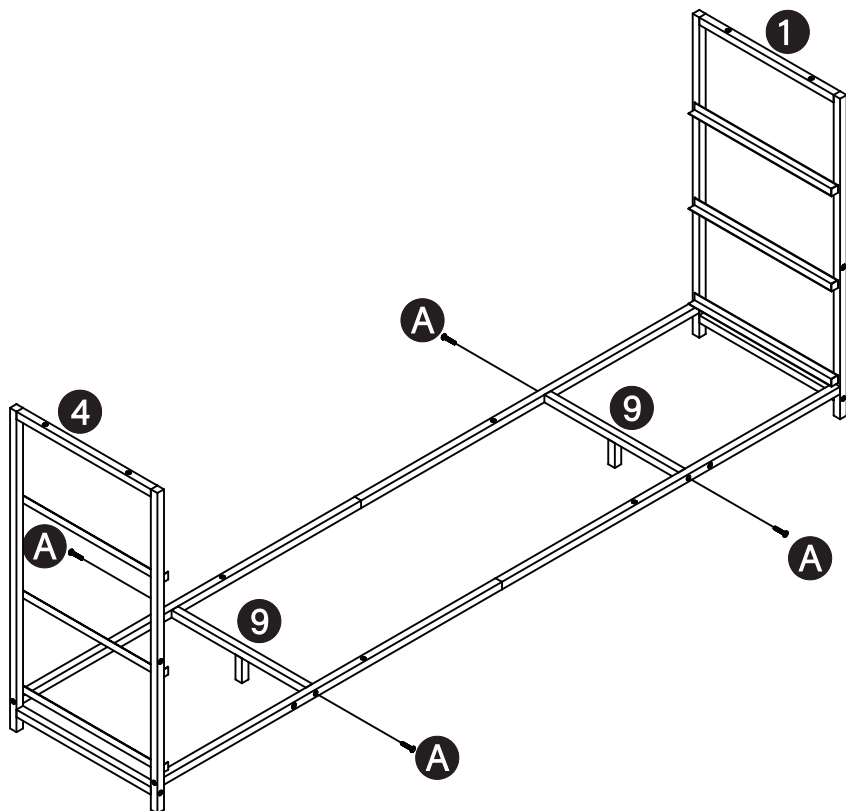
Please Keep the drawer support at the same direction.



Note:Orientation of holes to avoid incorrect installation.

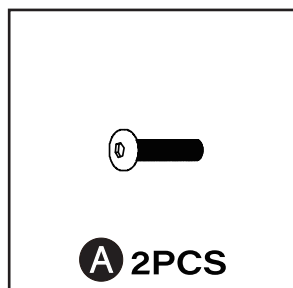
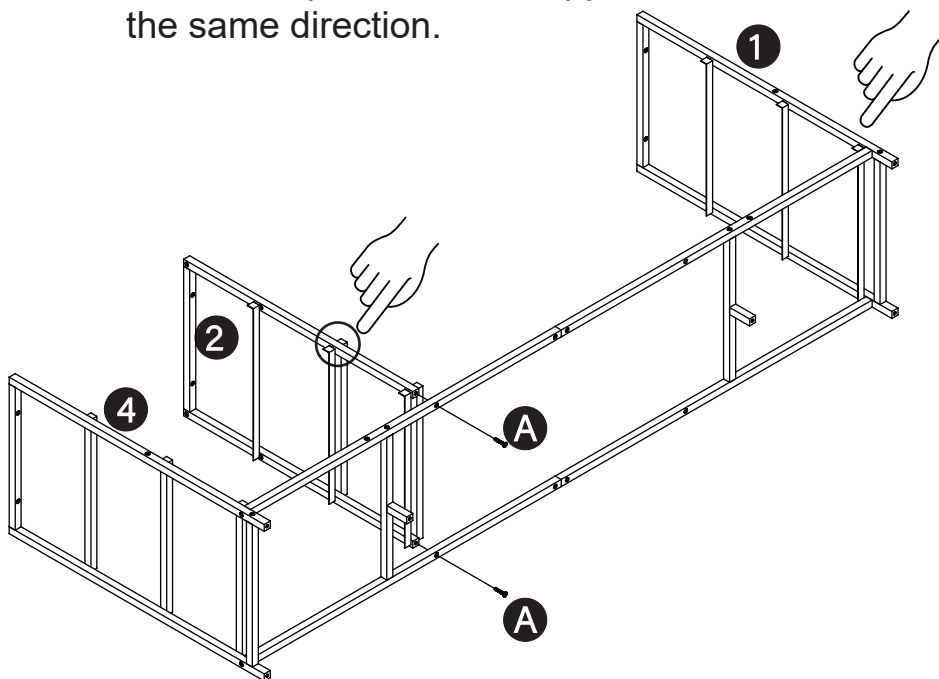


Step6: Attach the tube **9** to the completed frame with screws **A**

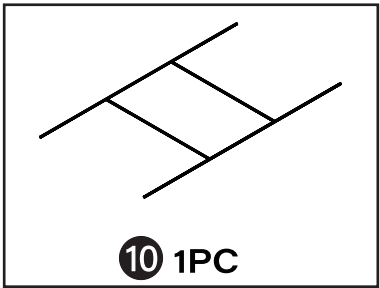
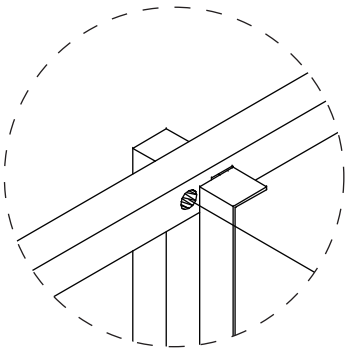
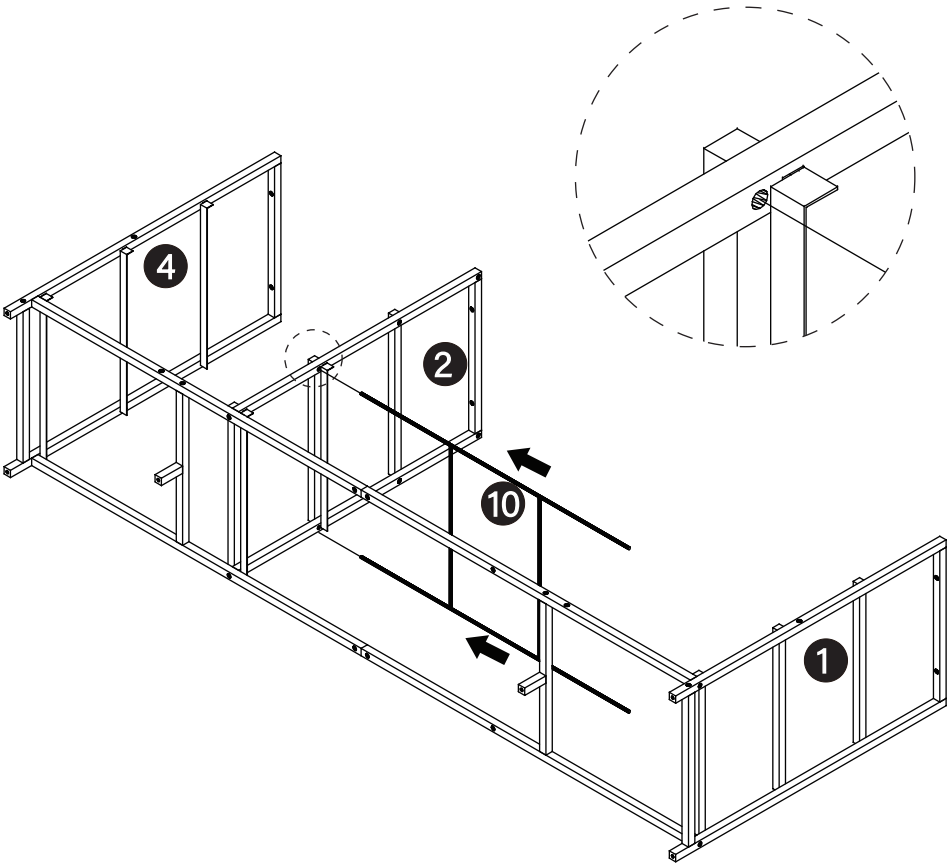


Step7: Install the frame **2** to completed frame with screws **A**

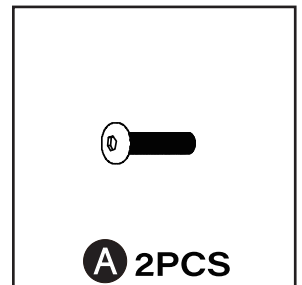
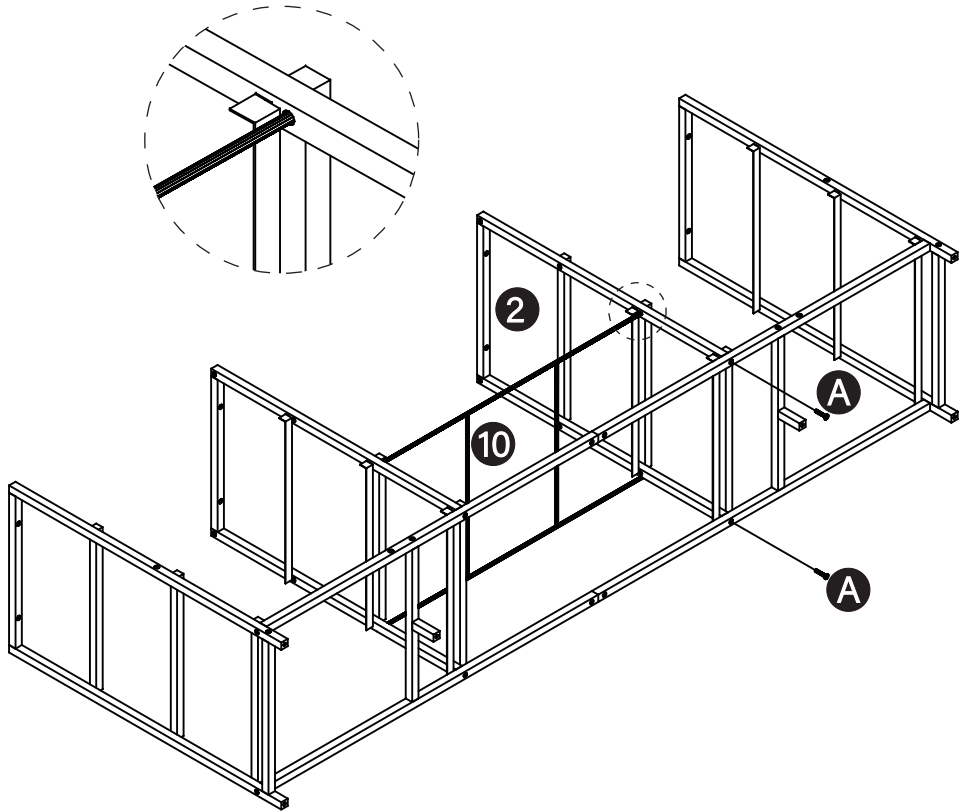
Please Keep the drawer support at the same direction.



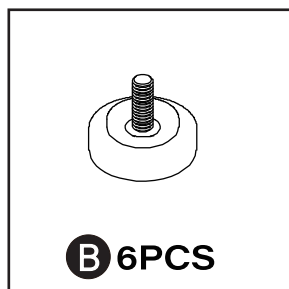
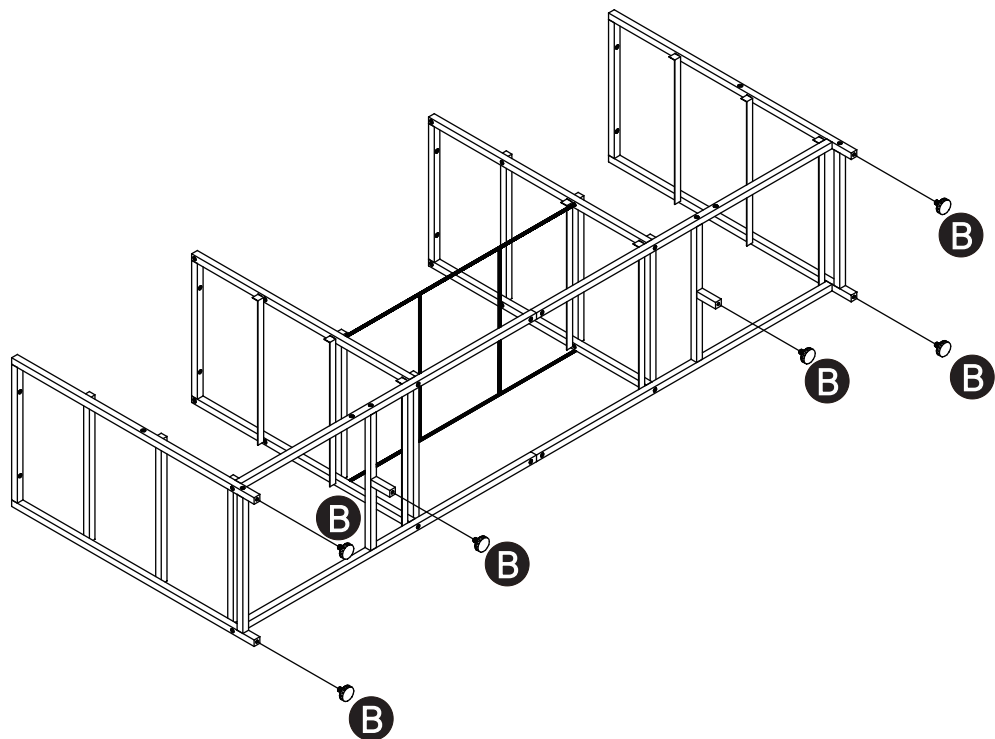
Step8: Insert on end of 10 the hole of the frame 2



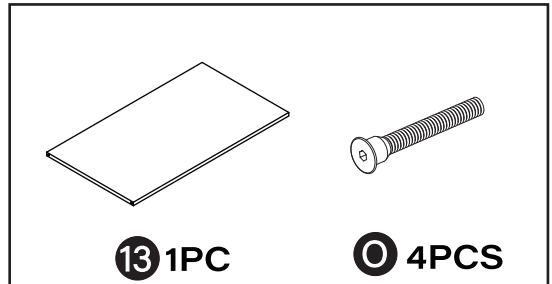
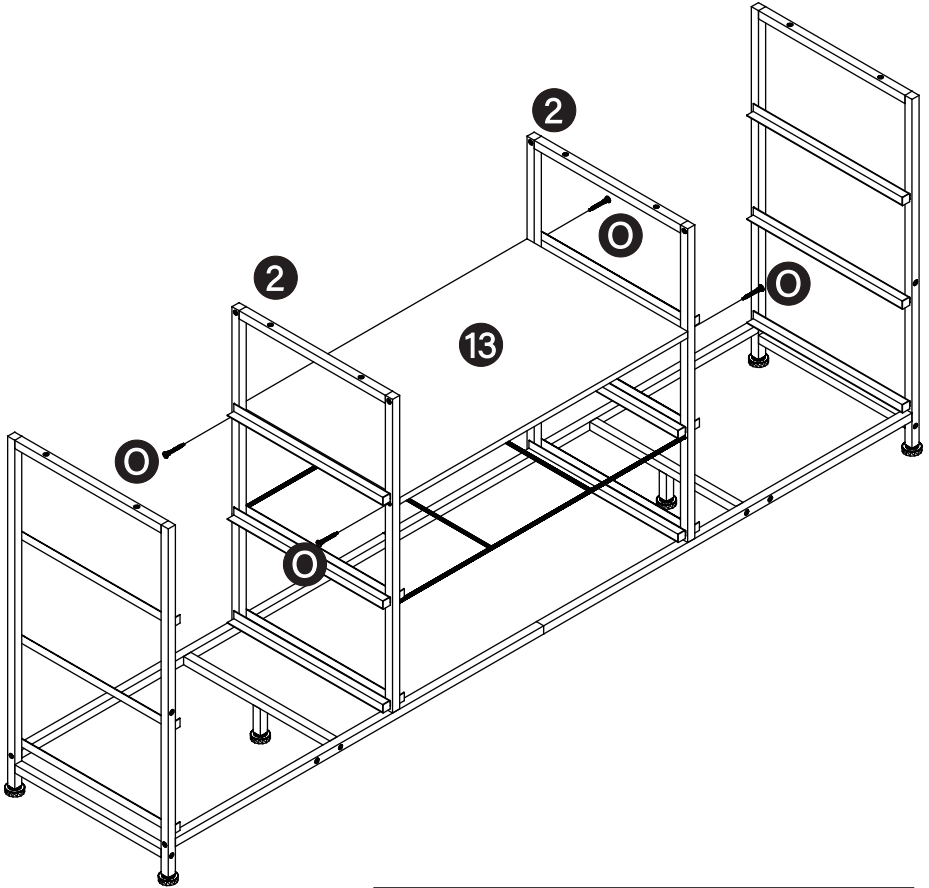
Step9: Insert **10** into the hole of the frame **2**  
And fix frame **2** to frames with screw **A**



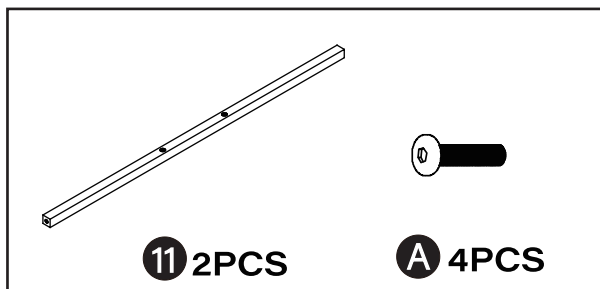
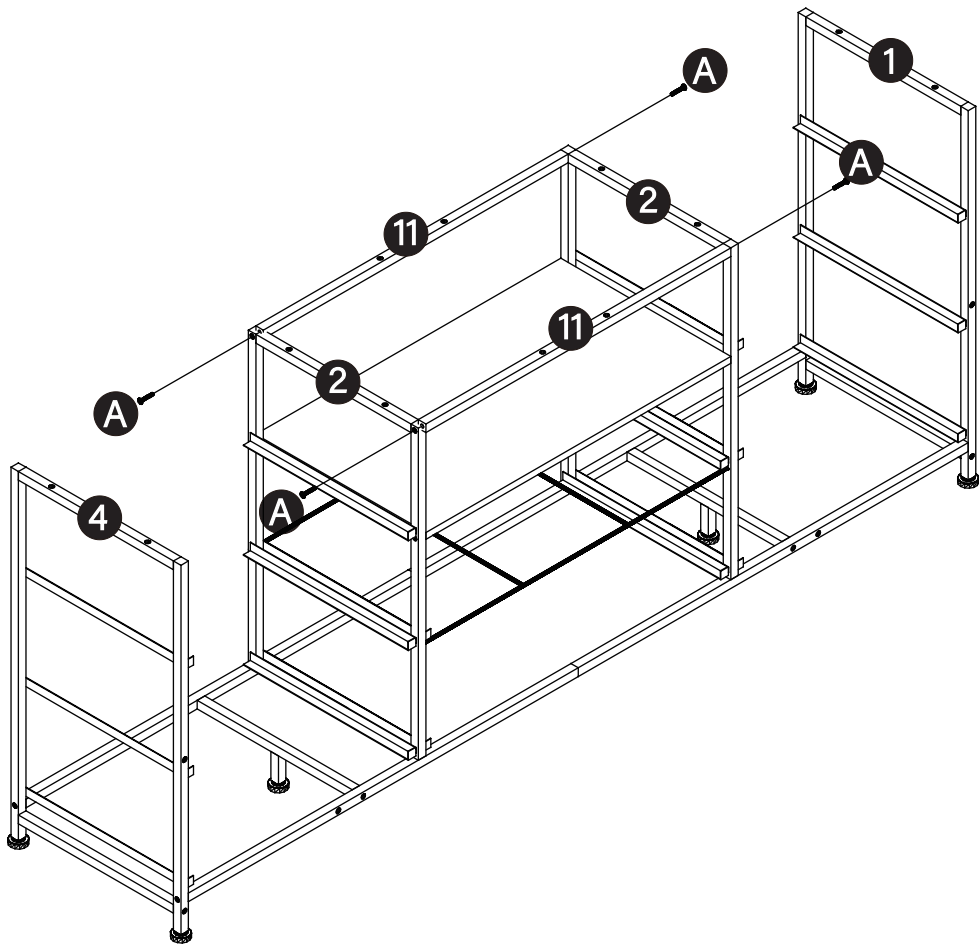
# Step 10: Installation of adjustable feet **B**



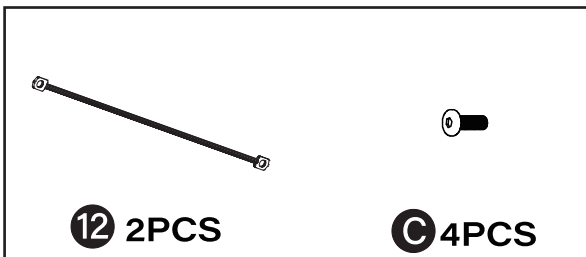
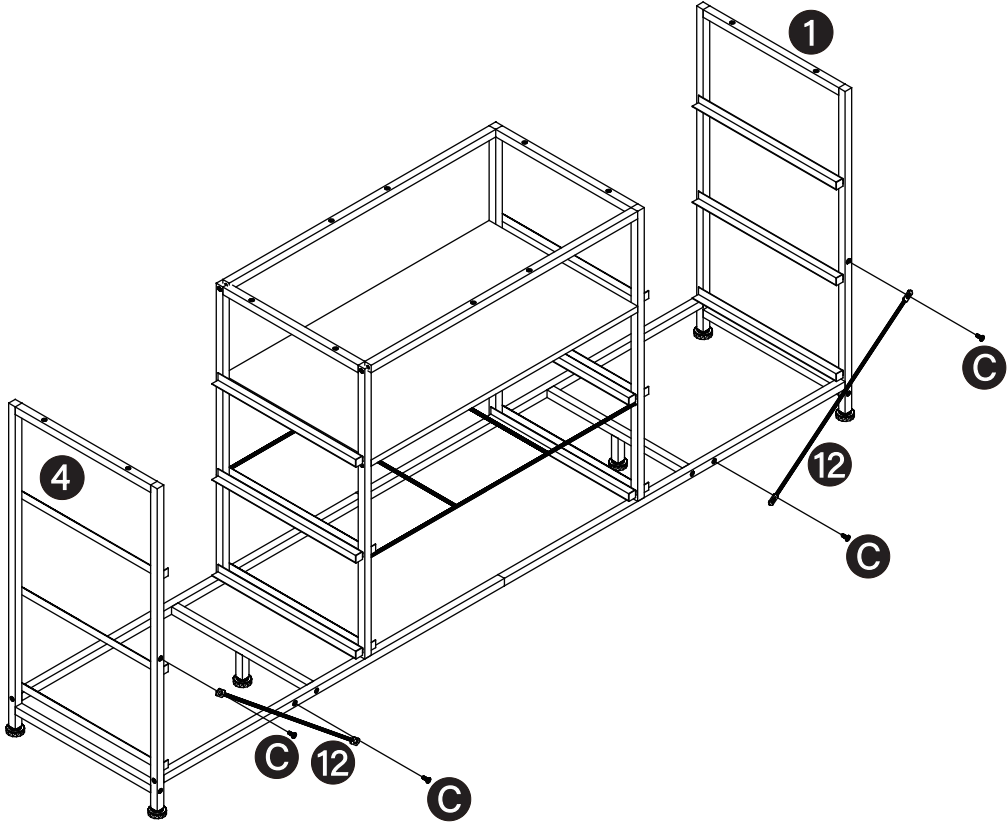
Step11: Attach board **13** to frame with screws **0**



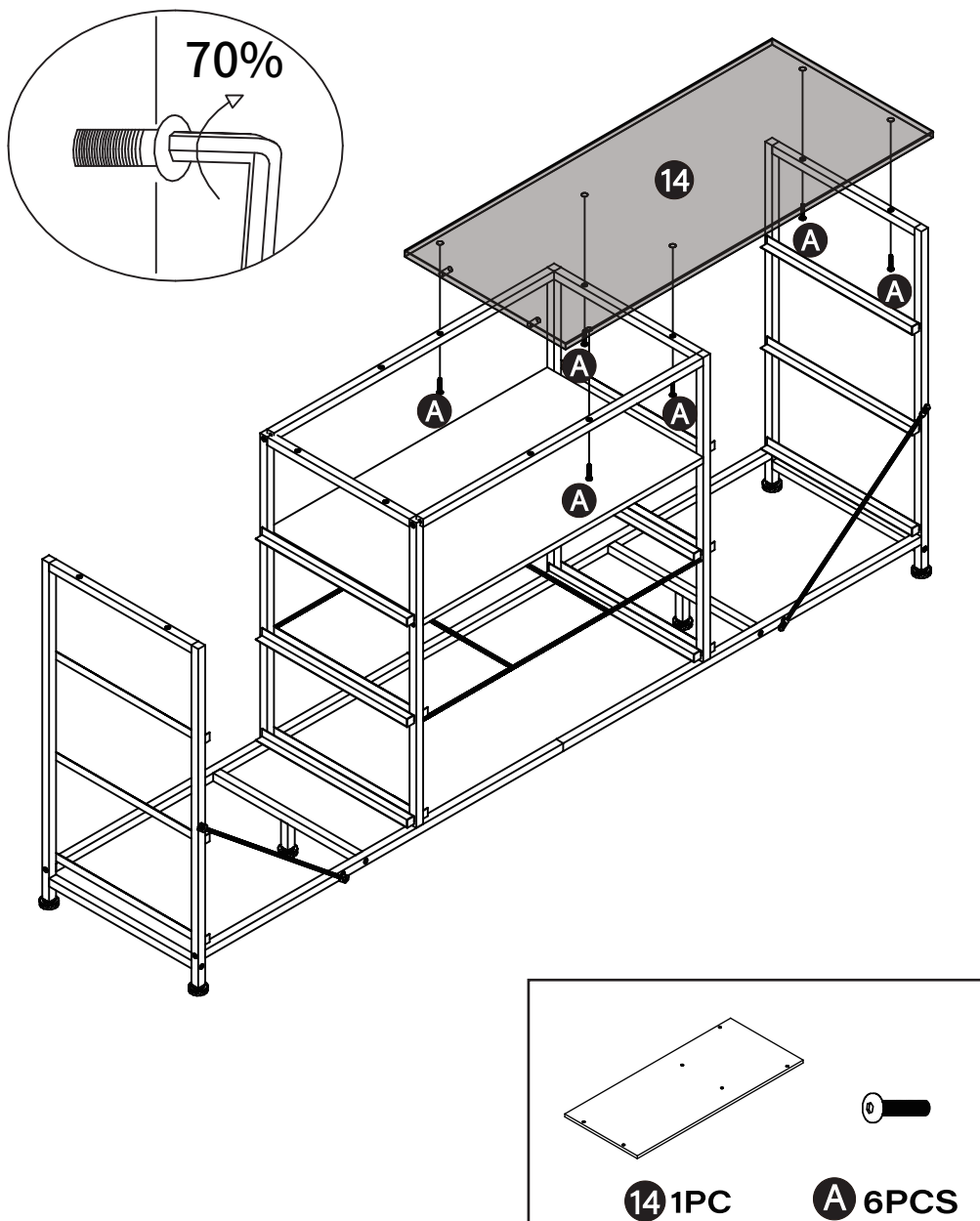
Step12: Assemble tube 11 and frames 2 with screws A



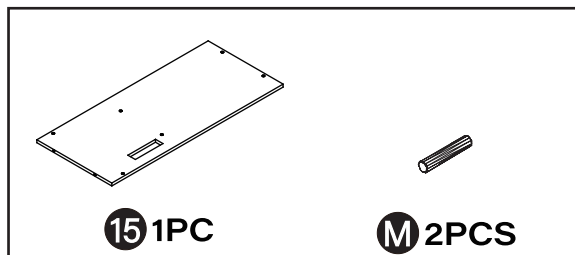
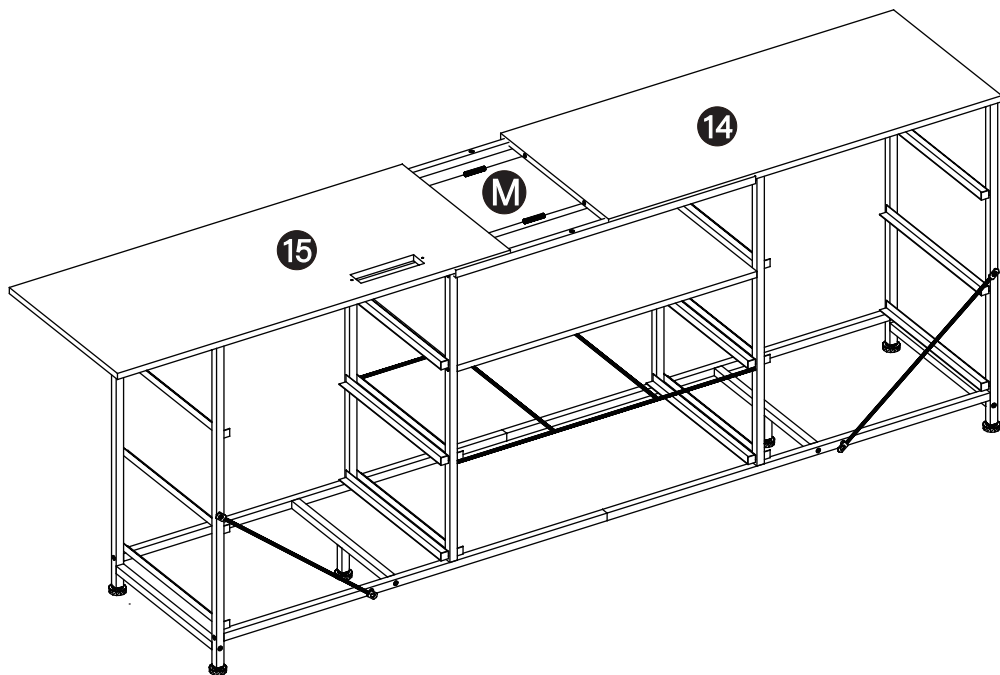
Step13: Fix part 12 to frame with screw C



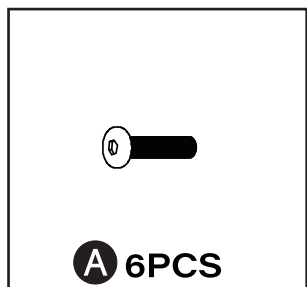
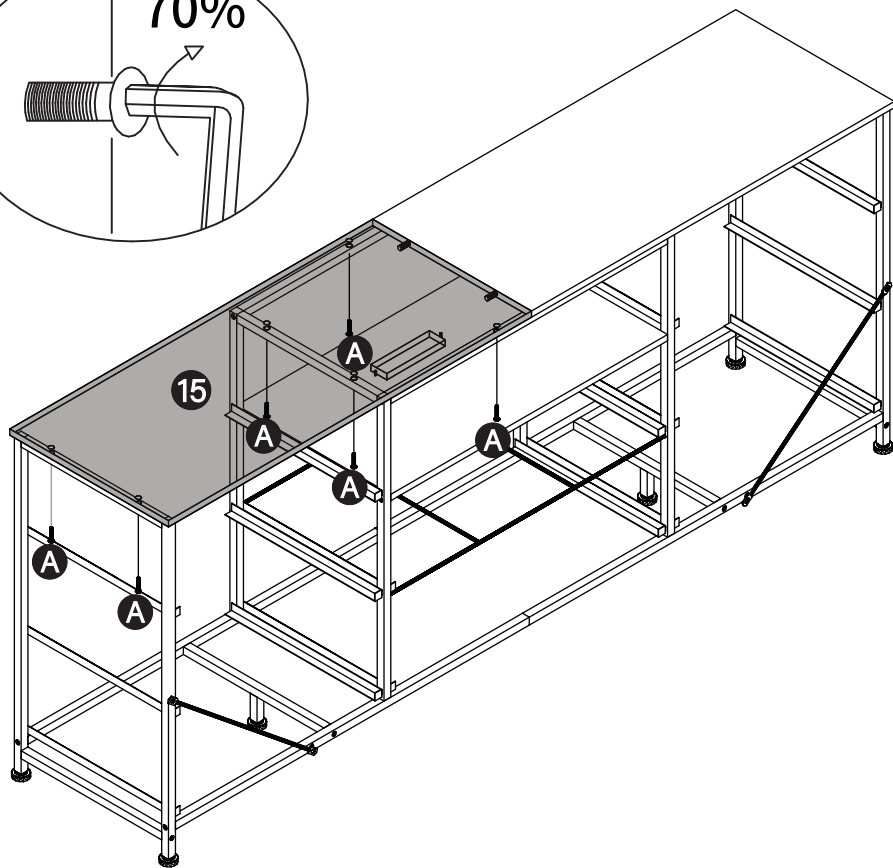
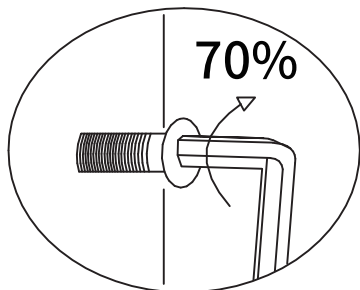
Step14: Install board **14** onto the frame with screw **A**  
please do not tighten the screws **A**



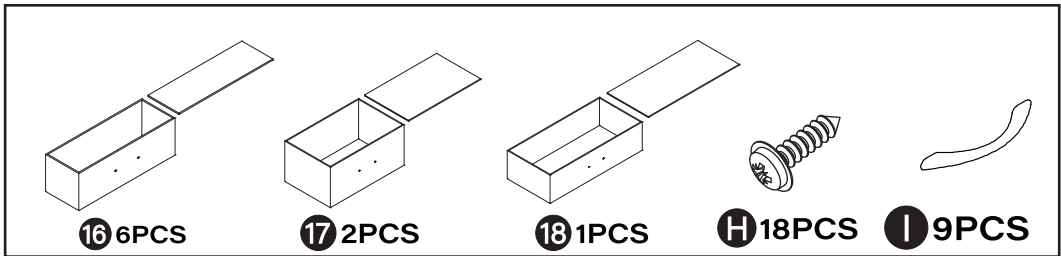
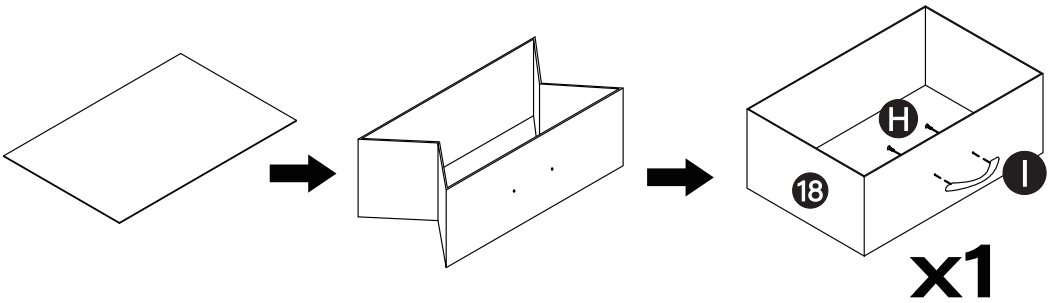
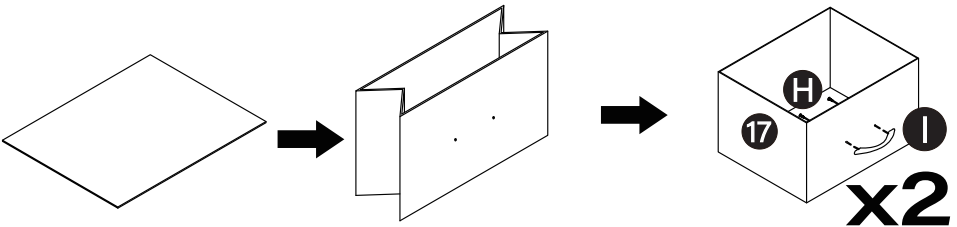
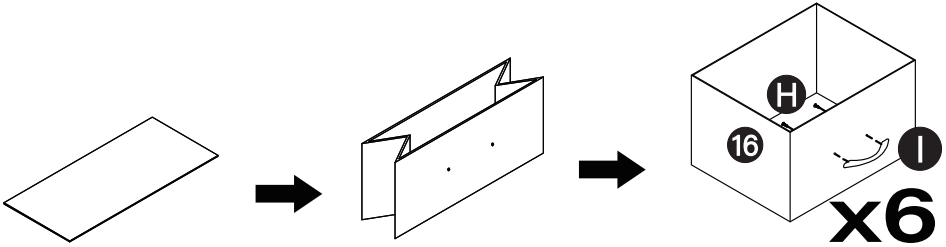
Step15: Connect top boards 14 & 15 through wood pin M



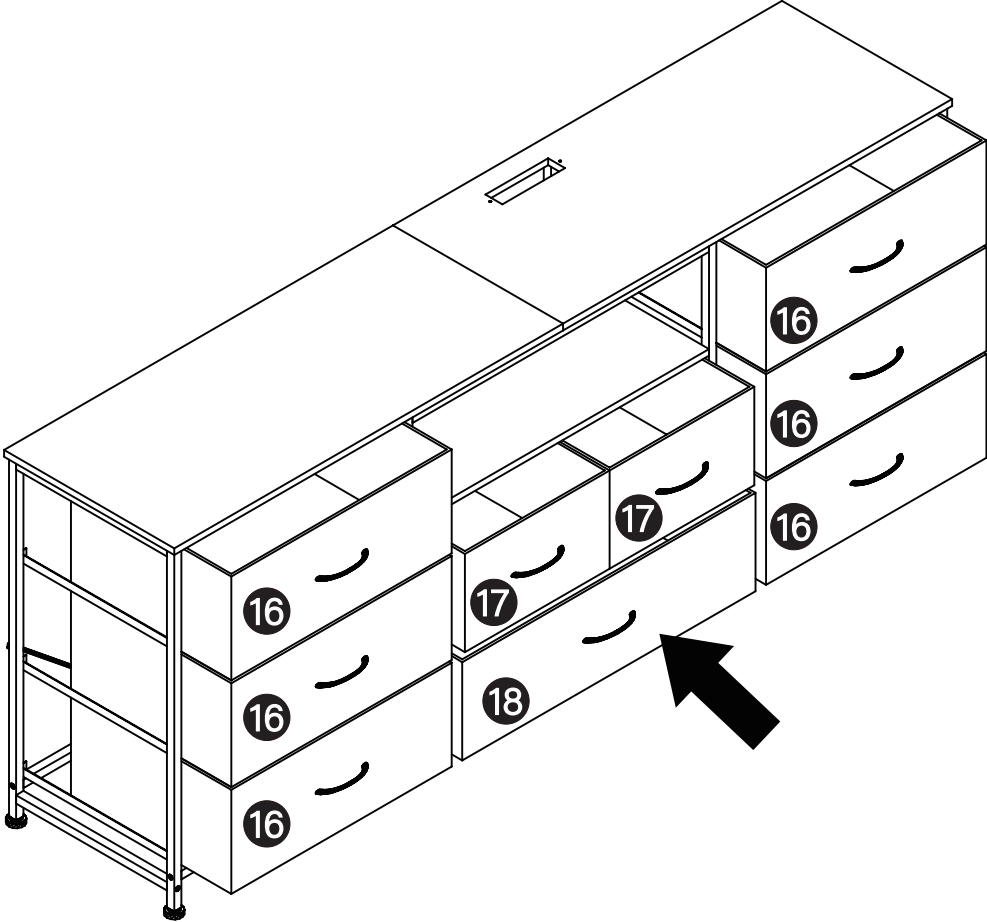
Step16: Install board **15** onto the frame with screw **A**  
(After aligning the boards, tighten all screws)



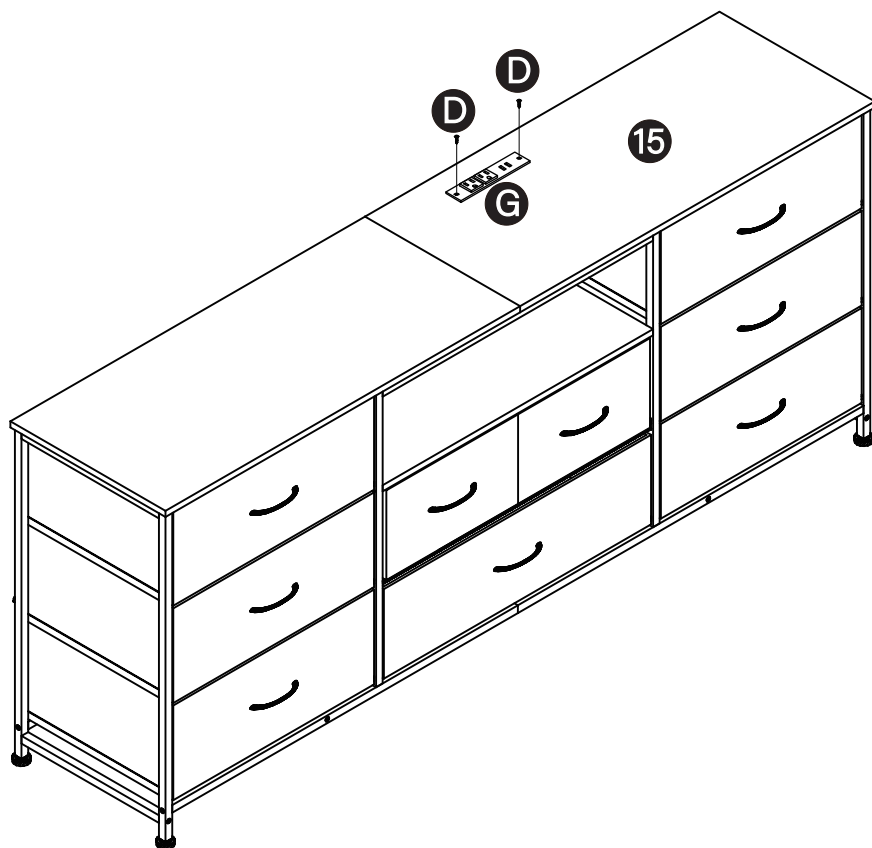
# Step17: Assemble the fabric drawers



Step18:Put in the fabric drawer



Step19: Fix socket **G** to board **15** with screws **D**



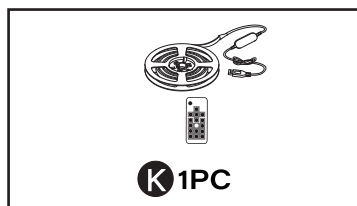
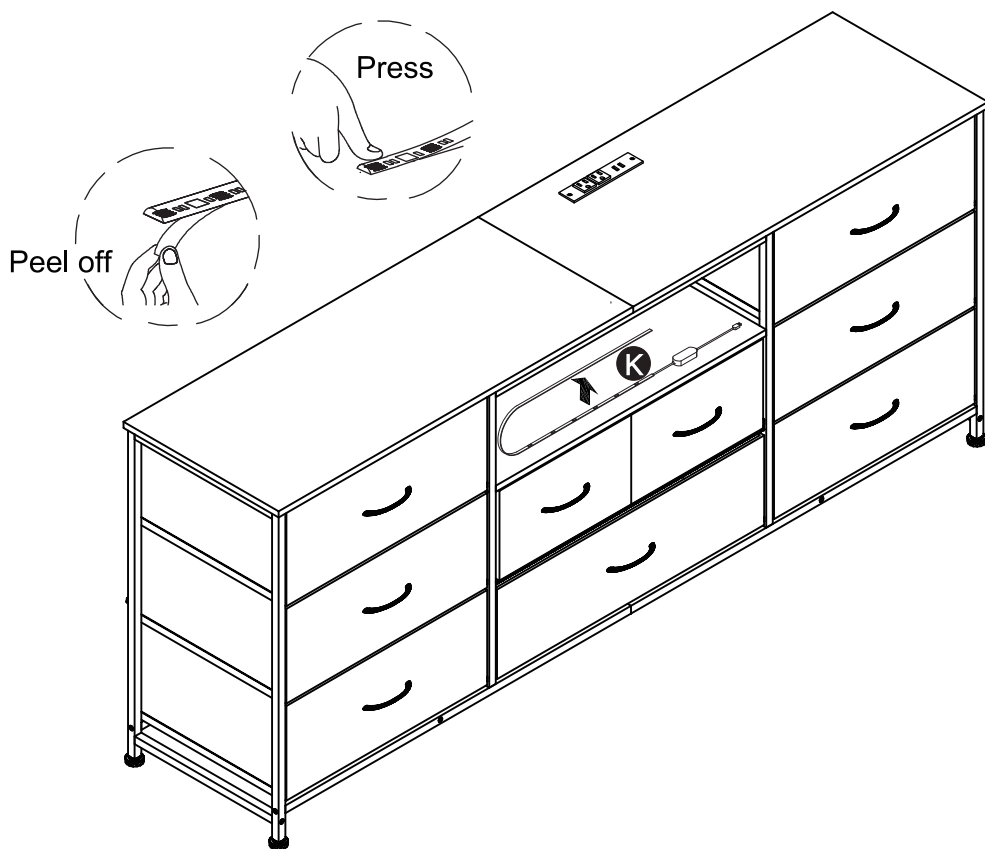
**G** 1PC



**D** 2PCS

## Step20:Install the light strip

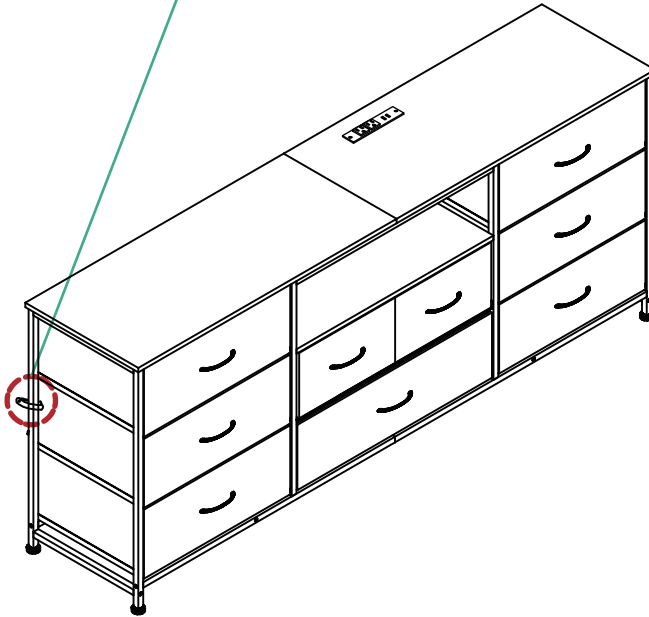
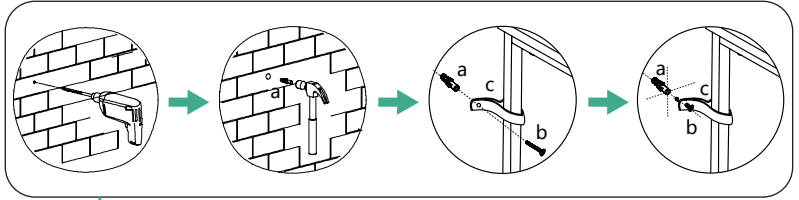
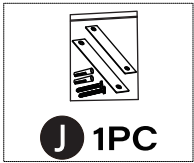
Tear off the double-sided tape on the light strip and stick it under the board









## Step21: Installation of anti-tipping straps

Use a power drill to make a 5~6mm hole in the wall.

Use philips head screwdriver or stubby screwdriver, screw the plastic anchors into the holes until they are flush to the wall. Fix a,b,c together, insert 1 screw into the drywall anchor, tilt your philips head screwdriver, and then lock to the wall, but do not over tighten.



## Problems You May Encounter

PROBLEMS	SOLUTIONS
Non-human caused damage during usage.	Please Keep the product and send us photos of it. We will ascertain the cause of the product damage within 48 hours and provide a satisfactory solution.
Mismatch of screw hole positions between components.	<ol style="list-style-type: none"> <li>1. Please tighten the screws on the board by 70%, do not tighten completely.</li> <li>2. Adjust the direction of the component to check that the wrong hole position has not been selected.</li> </ol>
Product is unstable after being assembled.	<ol style="list-style-type: none"> <li>1. Check if the screws are tightened.</li> <li>2. Read through out the manual, check are there any parts installed incorrectly or missing assembled.</li> </ol>
Any missing or damaged components.	To solve the problem. We are committed to providing you with <b>Free component shipping and replacement</b>
<p><b>More problems or the above problems could not be solved.</b></p>	<div data-bbox="453 911 518 978"></div> <p data-bbox="529 906 889 991"><b>Contact us, We will support you!</b></p> <div data-bbox="456 1031 516 1075"></div> <p data-bbox="529 1031 992 1075"><b>Support@furnulem.com</b></p> <div data-bbox="456 1118 592 1256"></div> <div data-bbox="619 1118 754 1256"></div> <div data-bbox="456 1275 592 1412"></div> <div data-bbox="619 1275 754 1412"></div>