


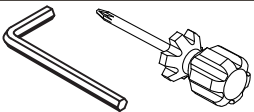
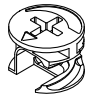

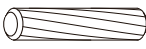



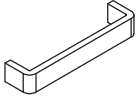




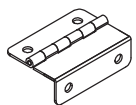
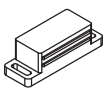

KITCHEN TROLLEY

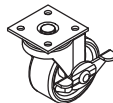
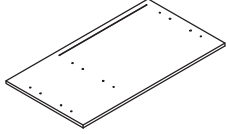

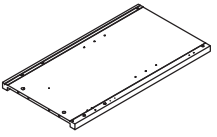

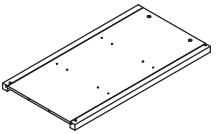

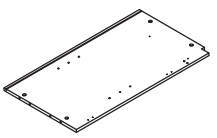

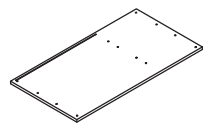

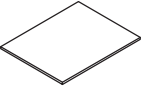

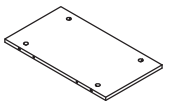



ASSEMBLY INSTRUCTIONS

ASSEMBLY INSTRUCTIONS

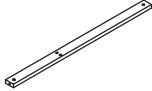
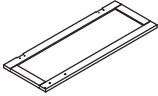
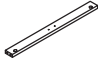
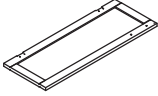
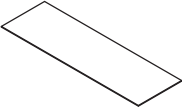
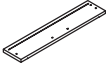

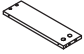
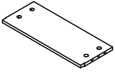

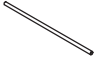


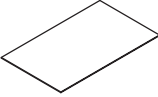

Notice:

1. Follow the installation instructions. Please confirm all accessories are preset before installation.
2. Do not fully tighten the screws during initial assembly. Fully tighten screws only once all pieces which are correctly assembled.
3. If you encounter any problems during installation, refer to two solutions: Follow the installation video tutorial on the Amazon product page or contact our customer service.

Item no.	Reference Image	Qty.	Item no.	Reference Image	Qty.
A		×24	I		×1
B		×24	J	 M5×60	×4
C	 ∅6×30	×27	K	 M6×60	×2
D	 M4×30	×5	L		×8
E		×3	M	 M6×45	×6
F	 M4×18	×6	N	 M3×12	×18
G	 M3×10	×10	O		×4
H		×1	P		×2

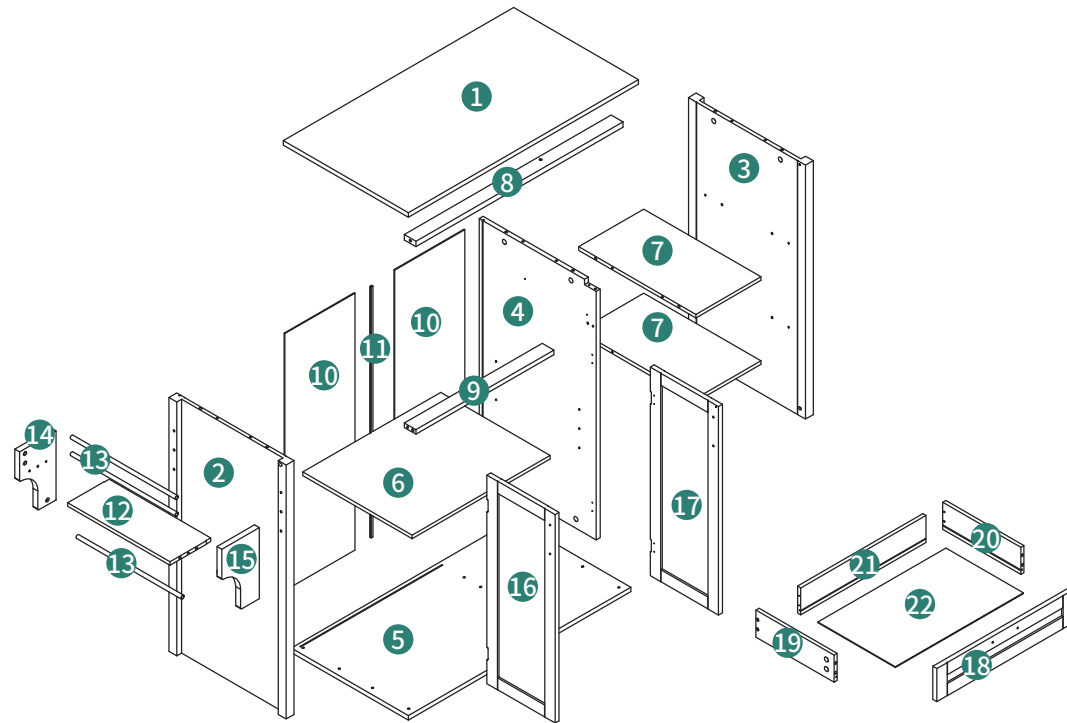
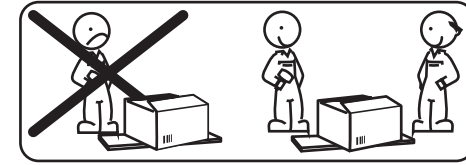
Item no.	Reference Image	Qty.	Item no.	Reference Image	Qty.
Q		×2	1		×1
R		×2	2		×1
S	 M4×12	×16	3		×1
T		×4	4		×1
U		×12	5		×1
V	 M3×14	×12	6		×1
CL		×1	7		×2
CR		×1			
DL		×1			
DR		×1			

ASSEMBLY INSTRUCTIONS

Item no.	Reference Image	Qty.	Item no.	Reference Image	Qty.
8		×1	16		×1
9		×1	17		×1
10		×2	18		×1
11		×1	19		×1
12		×1	20		×1
13		×3	21		×1
14		×1	22		×1
15		×1			

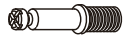
ASSEMBLY INSTRUCTIONS

Explosion diagram

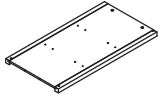


ASSEMBLY INSTRUCTIONS

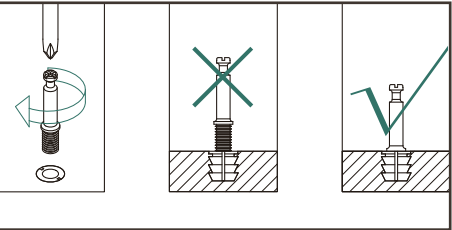
1



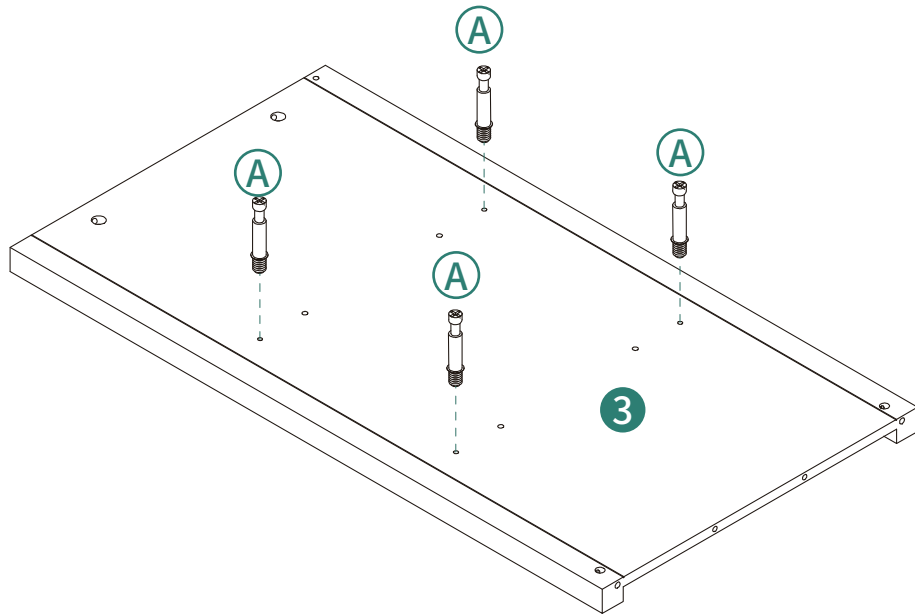
Ⓐ 4PCS



③ 1PCS



Tighten Ⓐ clockwise until all of their threads are engaged.



5

ASSEMBLY INSTRUCTIONS

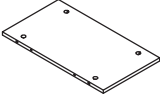
2



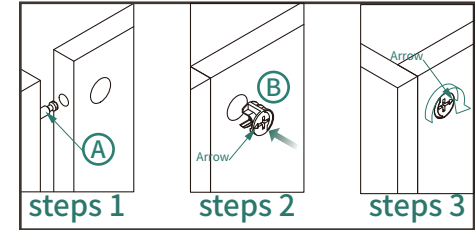
Ⓑ 4PCS



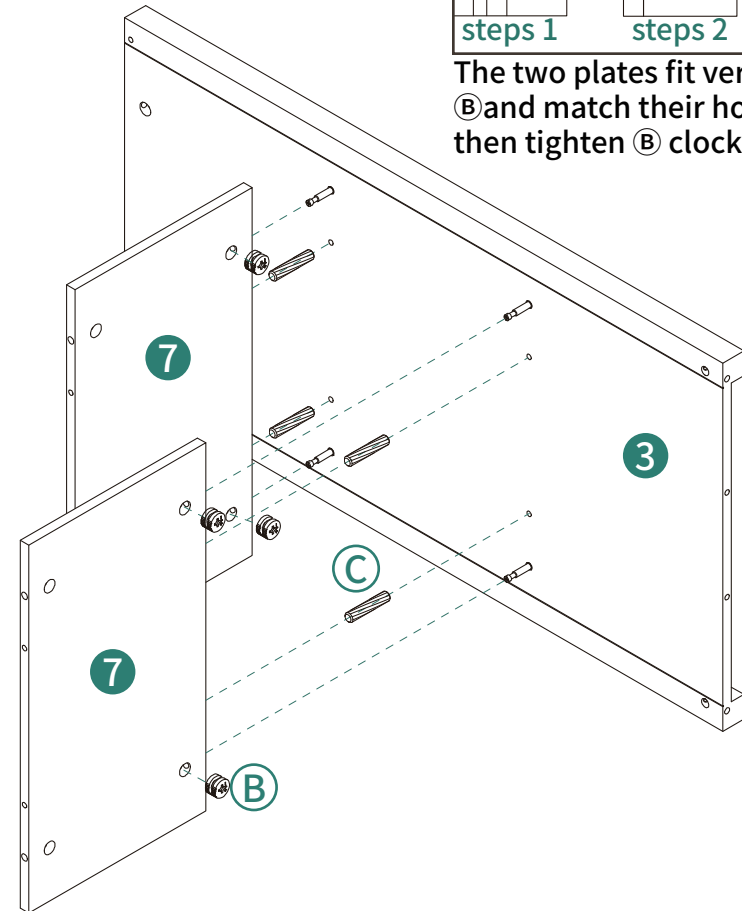
Ⓒ 4PCS



⑦ 2PCS



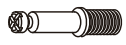
The two plates fit vertically, Place Ⓑ and match their holes with Ⓐ, then tighten Ⓑ clockwise.



6

ASSEMBLY INSTRUCTIONS

3



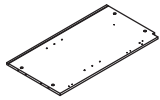
A 5PCS



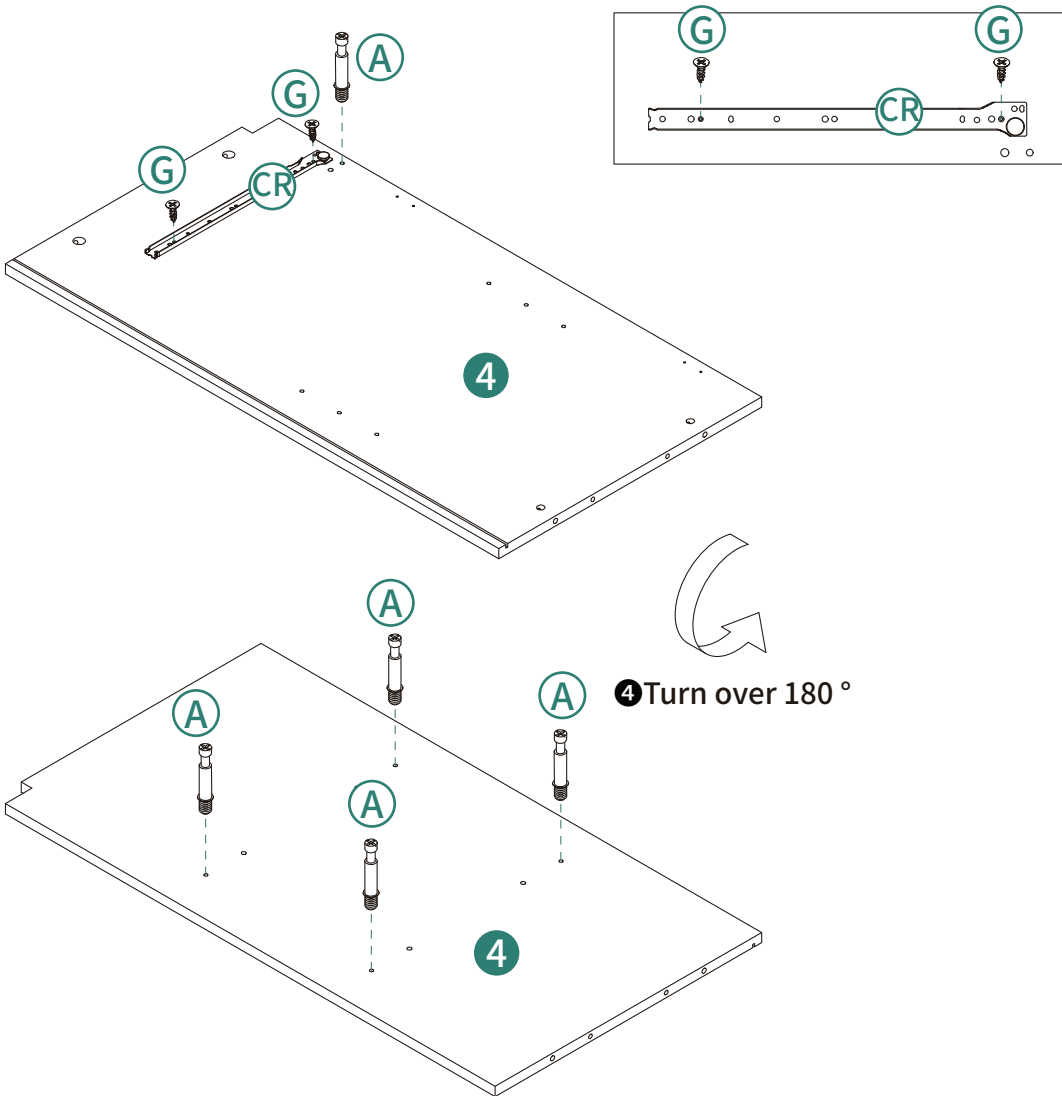
G 2PCS



CR 1PCS



4 1PCS



7

ASSEMBLY INSTRUCTIONS

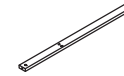
4



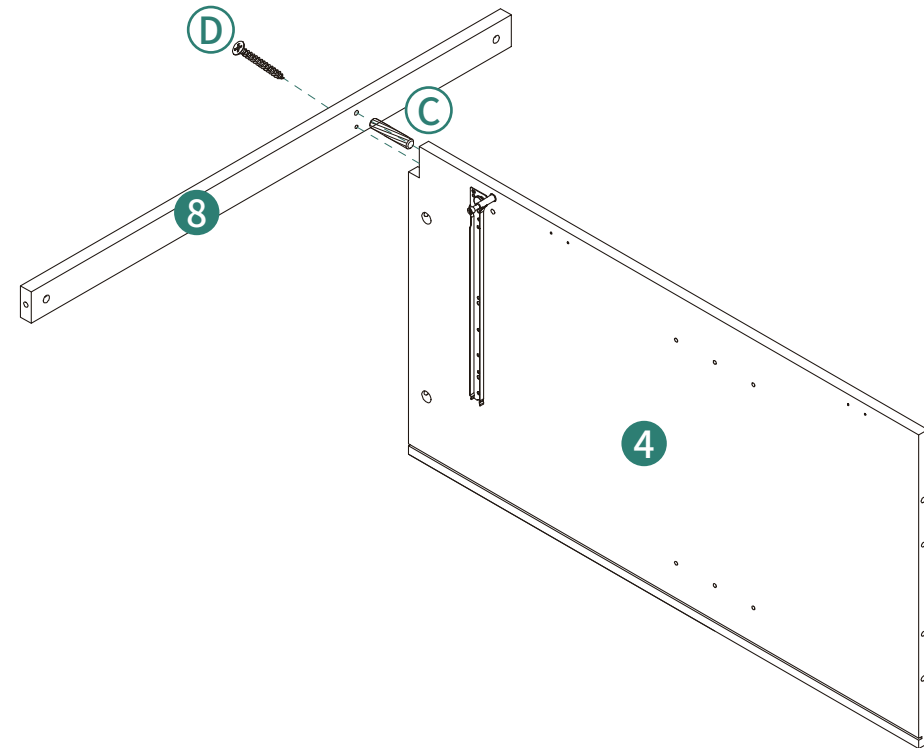
C 1PCS



D 1PCS



8 1PCS



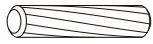
8

ASSEMBLY INSTRUCTIONS

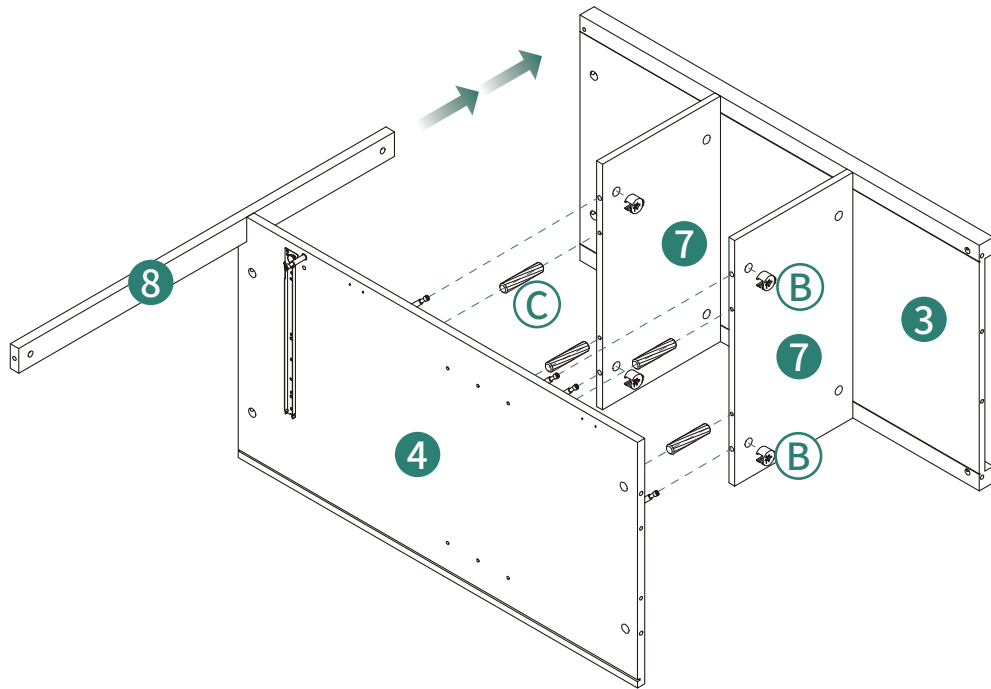
5



(B) 4PCS



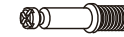
(C) 4PCS



9

ASSEMBLY INSTRUCTIONS

6



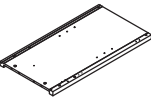
(A) 1PCS



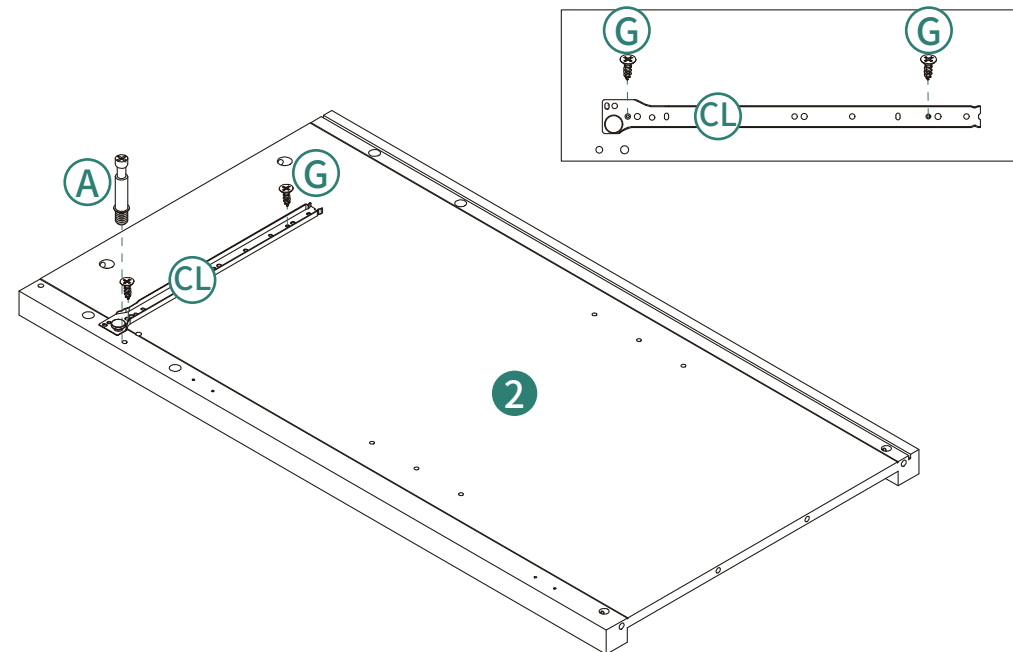
(G) 2PCS



(CL) 1PCS



(2) 1PCS



10

ASSEMBLY INSTRUCTIONS

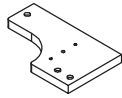
7



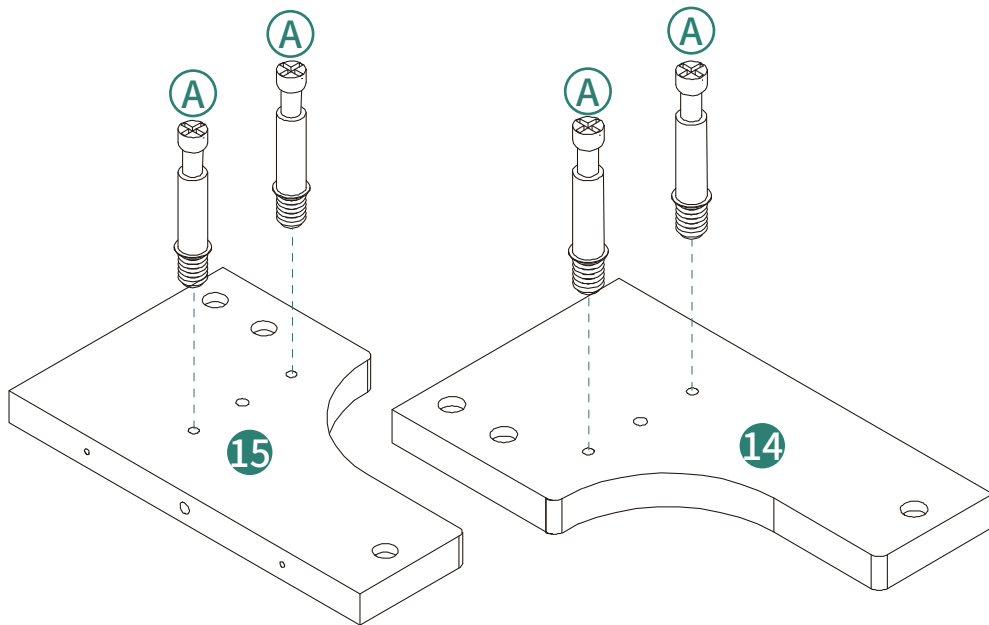
Ⓐ 4PCS



⑭ 1PCS



⑮ 1PCS



11

ASSEMBLY INSTRUCTIONS

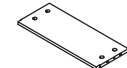
8



Ⓑ 4PCS



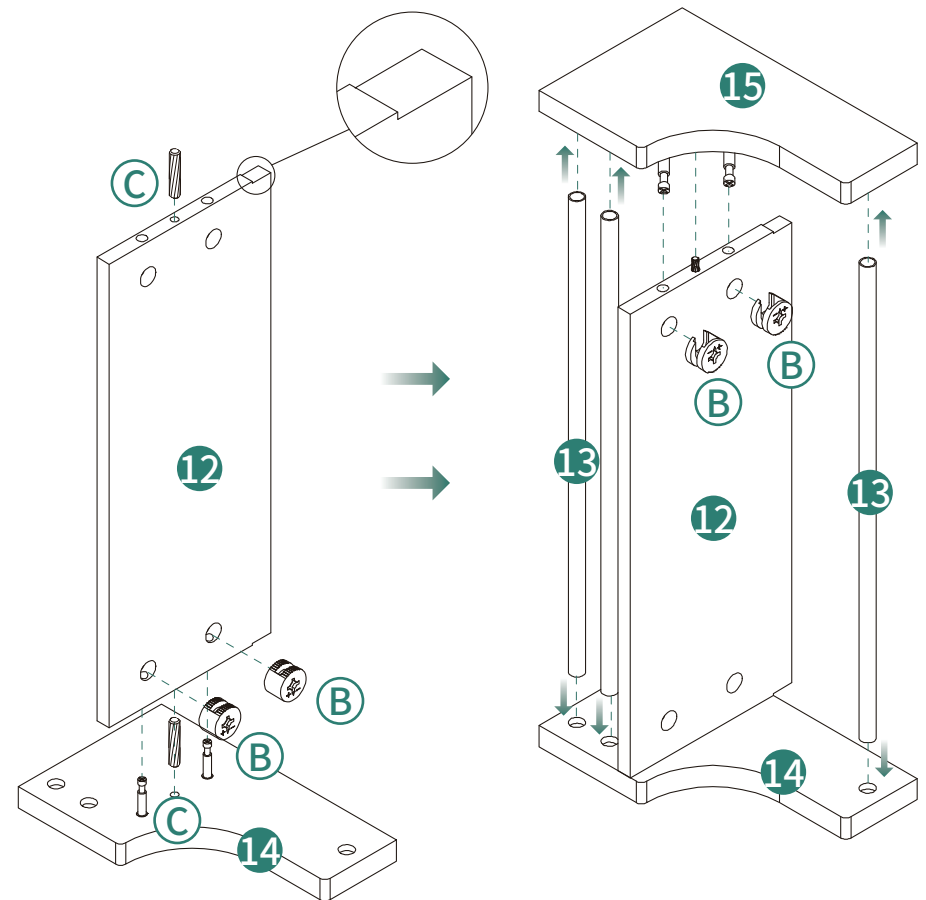
Ⓒ 2PCS



⑫ 1PCS



⑬ 3PCS



12

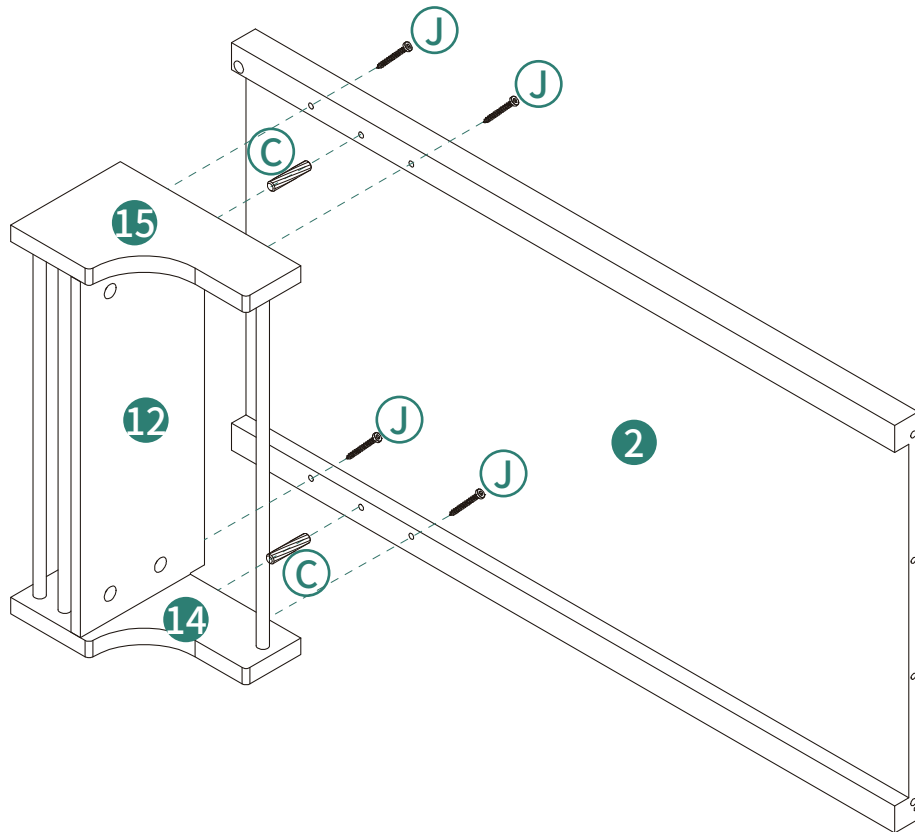
ASSEMBLY INSTRUCTIONS

9



C 2PCS

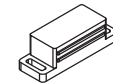
J 4PCS



13

ASSEMBLY INSTRUCTIONS

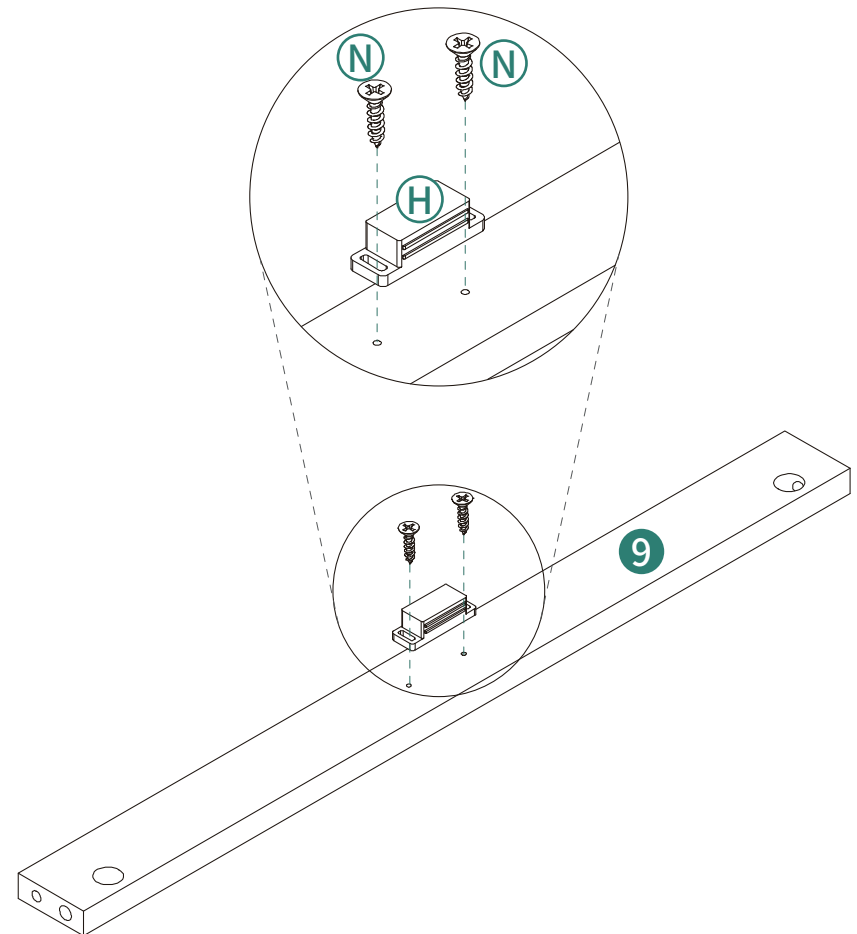
10



H 1PCS

N 2PCS

9 1PCS



14

ASSEMBLY INSTRUCTIONS

11



Ⓑ 1PCS



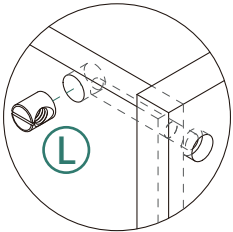
Ⓒ 1PCS



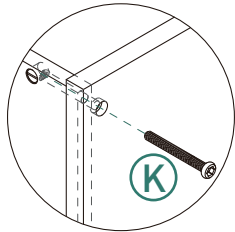
Ⓚ 1PCS



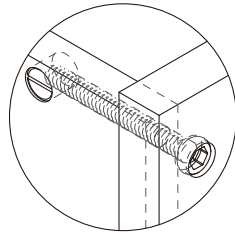
Ⓛ 1PCS



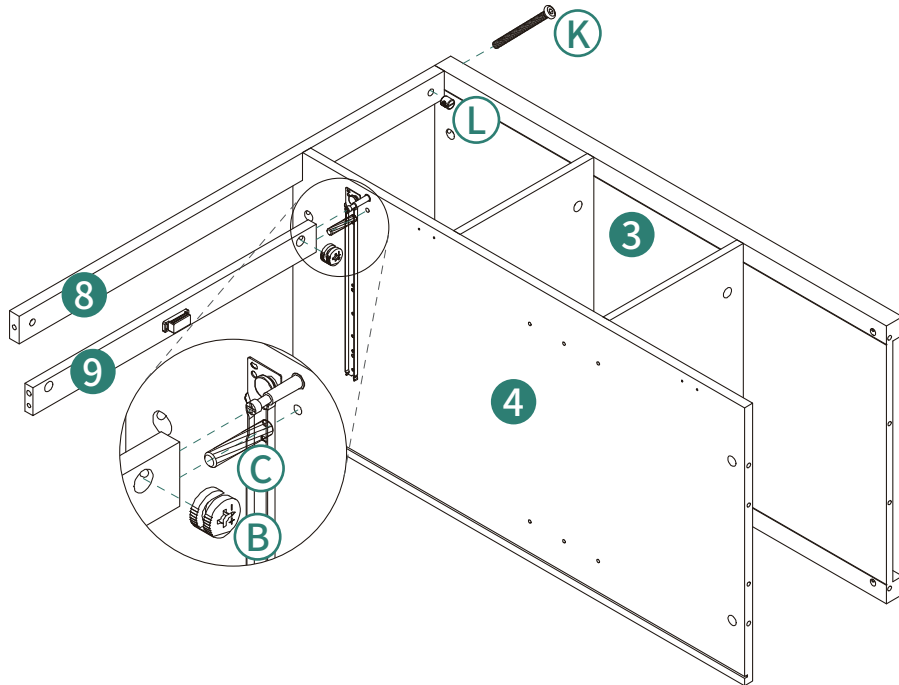
PART 1



PART 2



PART 3



ASSEMBLY INSTRUCTIONS

12



Ⓑ 1PCS



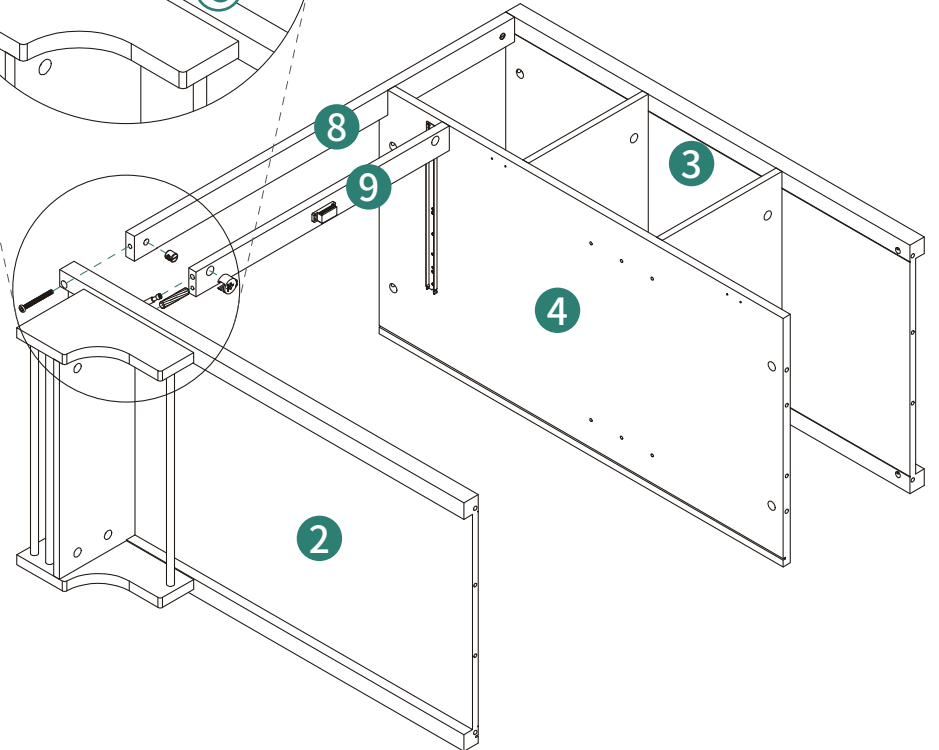
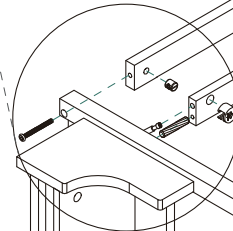
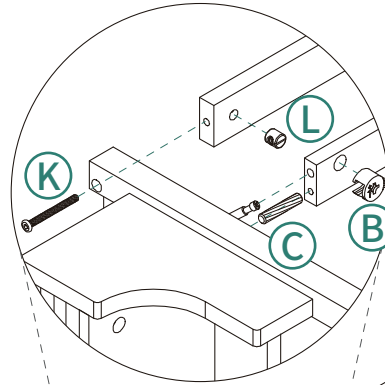
Ⓒ 1PCS



Ⓚ 1PCS

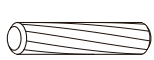


Ⓛ 1PCS



ASSEMBLY INSTRUCTIONS

13



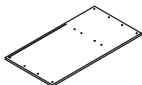
Ⓢ 6PCS



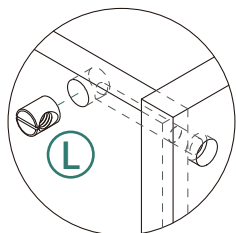
Ⓛ 6PCS



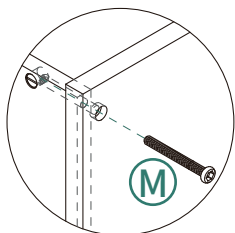
Ⓜ 6PCS



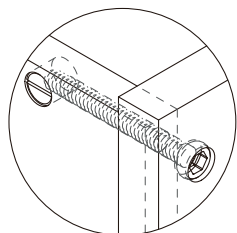
Ⓟ 1PCS



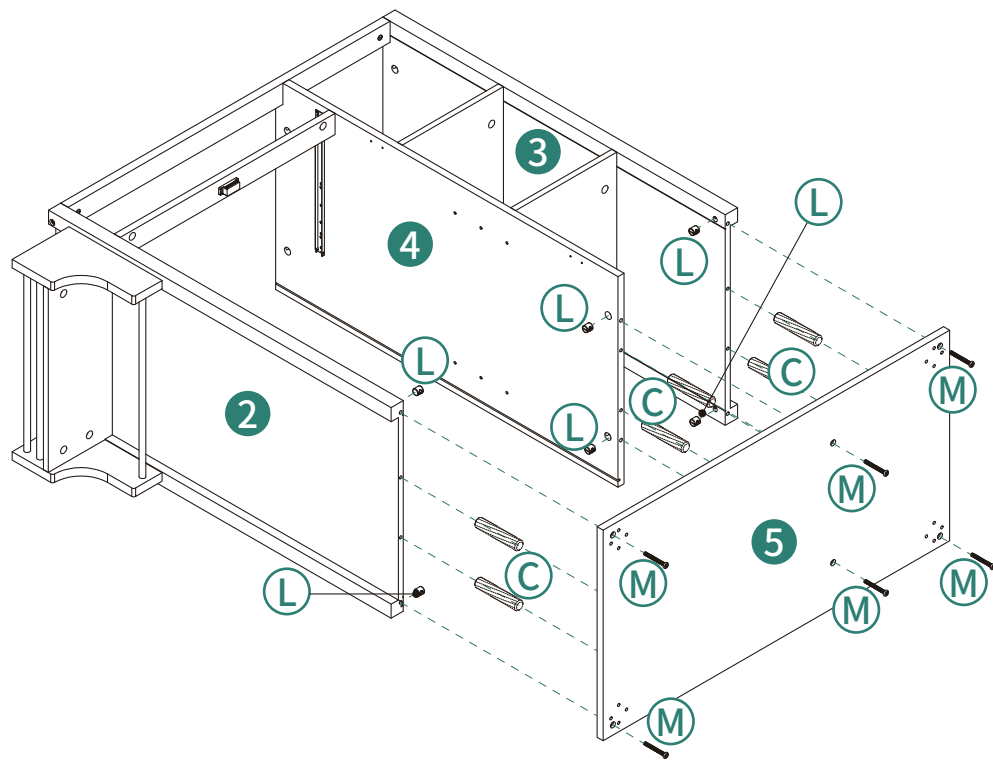
PART 1



PART 2



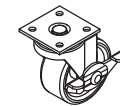
PART 3



17

ASSEMBLY INSTRUCTIONS

14



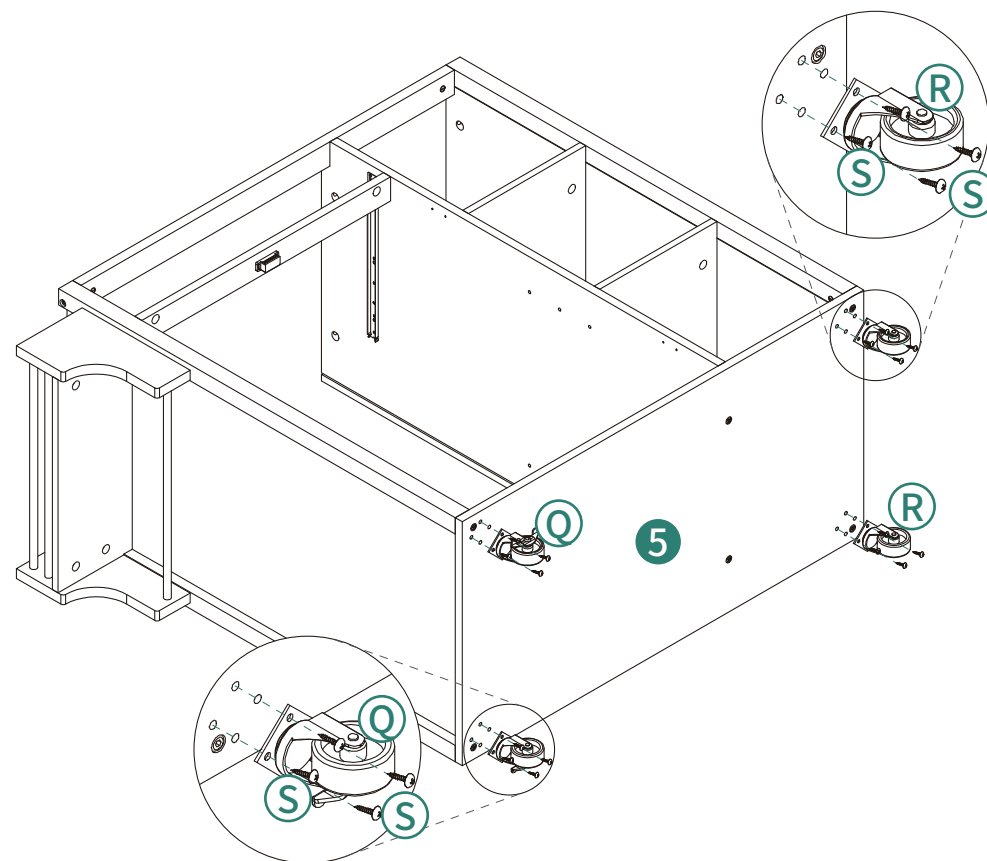
Ⓚ 2PCS



Ⓡ 2PCS



Ⓢ 16PCS

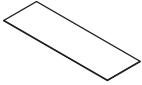


18

15



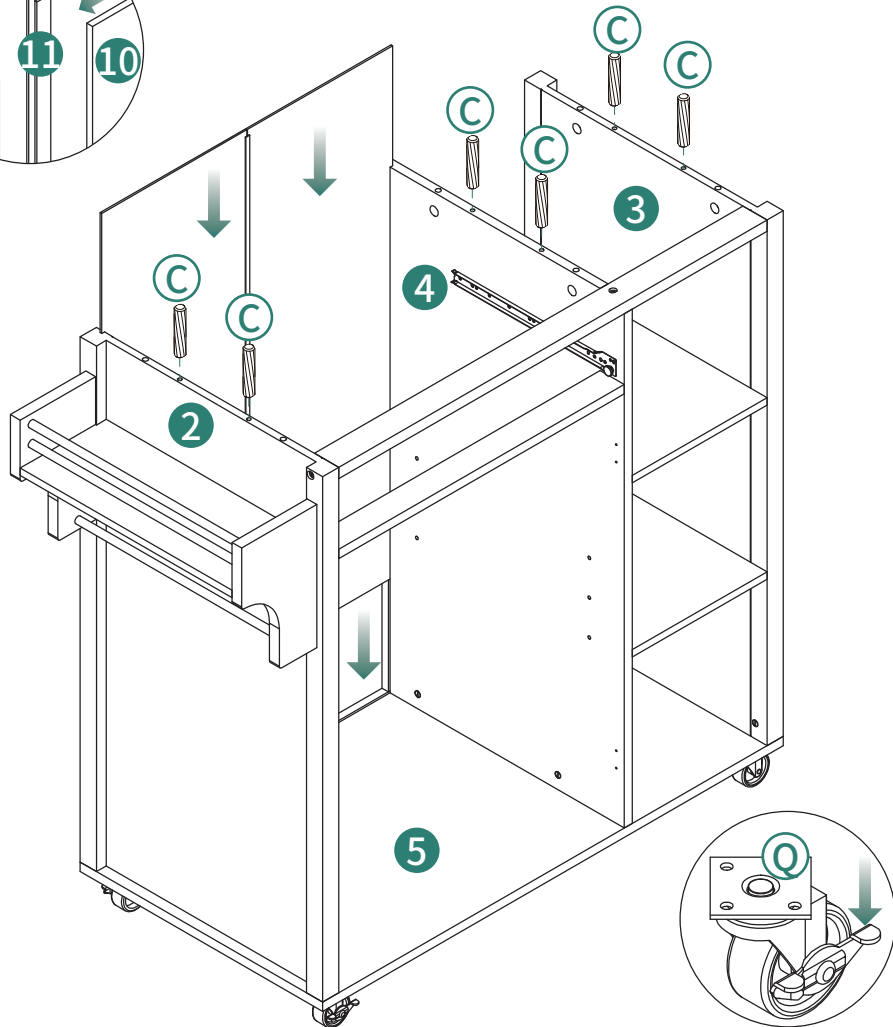
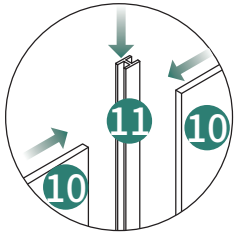
C 6PCS



10 2PCS

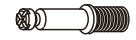


11 1PCS

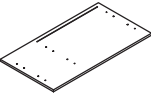


19

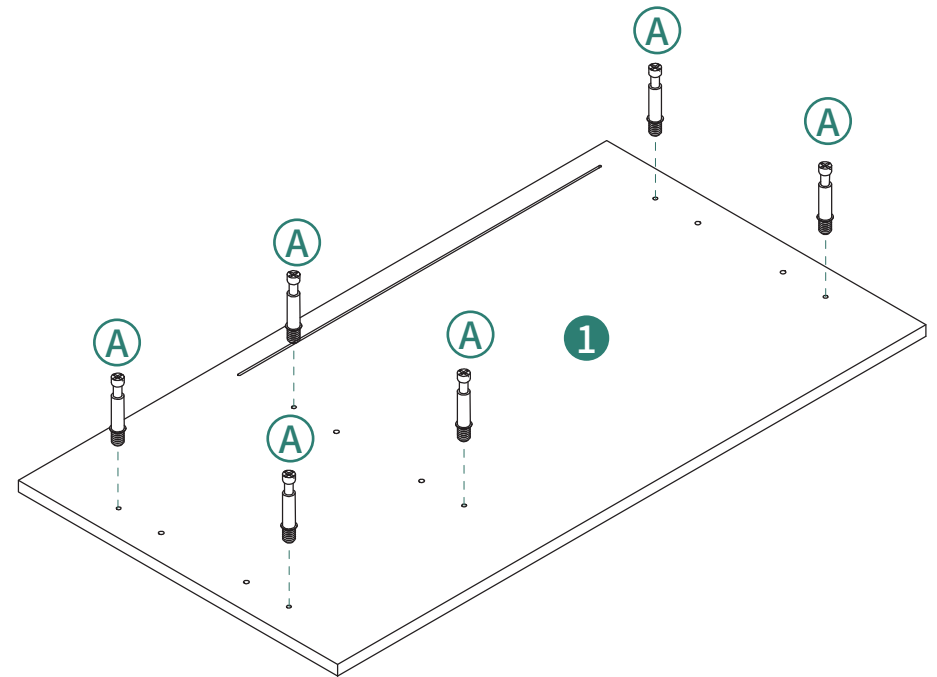
16



A 6PCS



1 1PCS

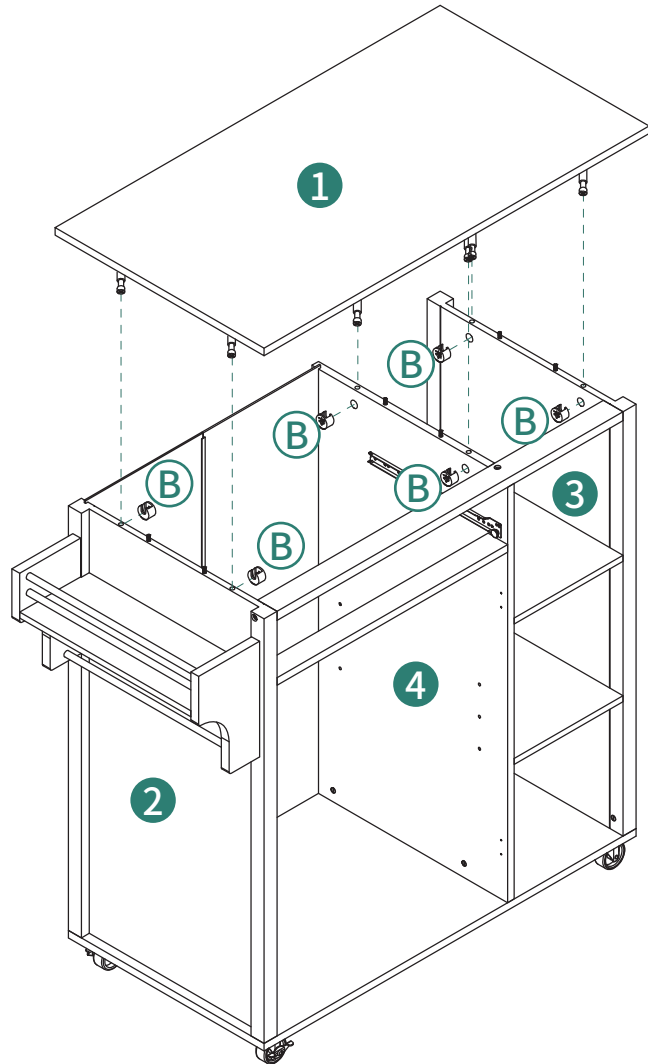


20

17



Ⓑ 6PCS

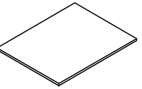


21

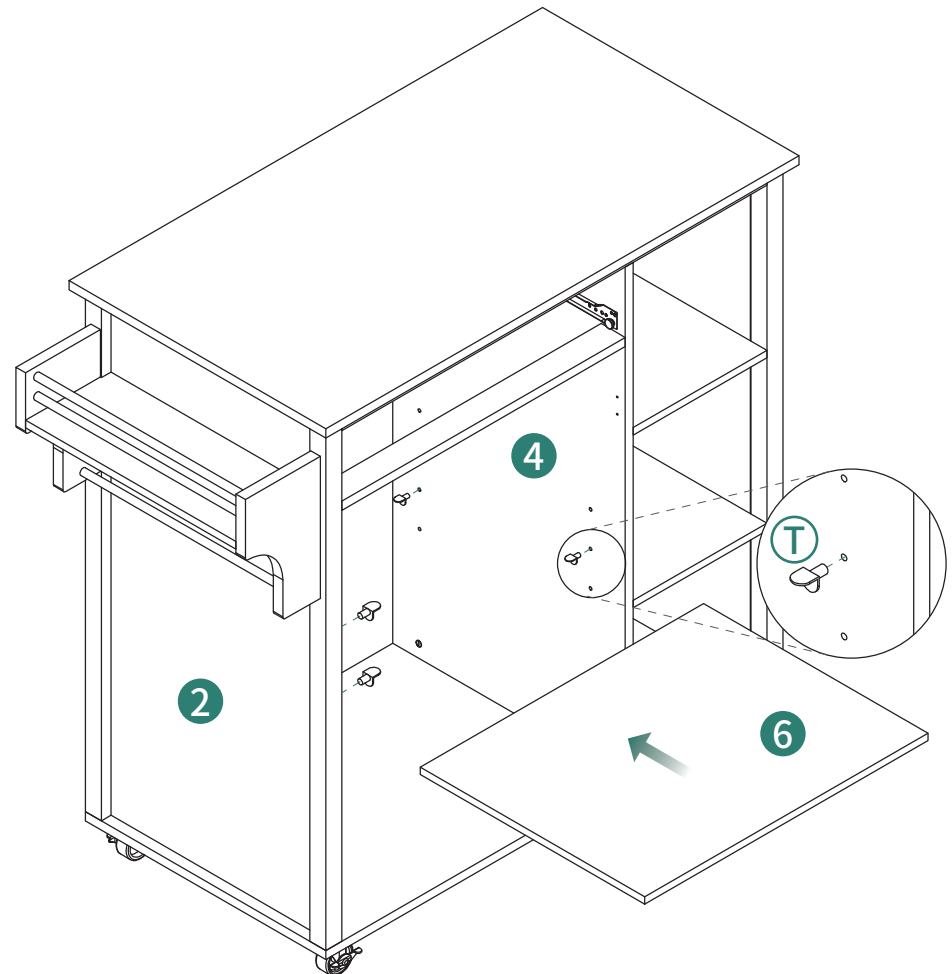
18



Ⓙ 4PCS



Ⓔ 1PCS



22

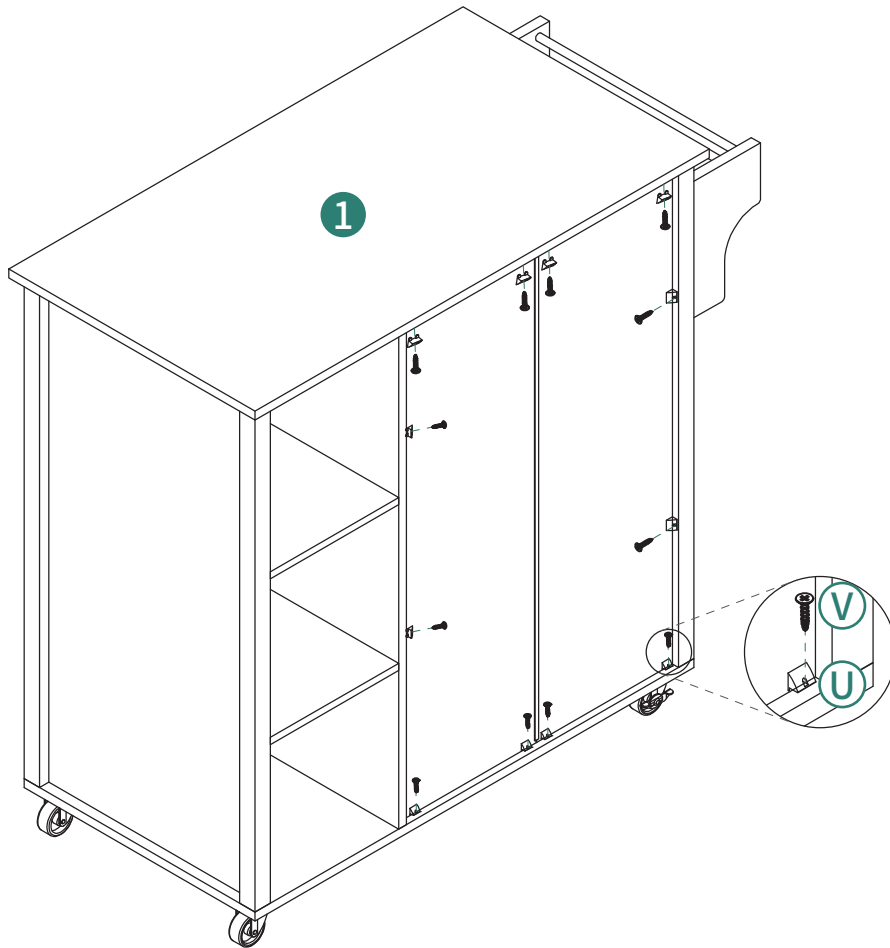
19



U 12PCS

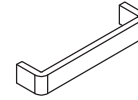


V 12PCS

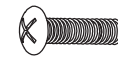


23

20



E 2PCS



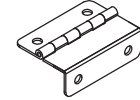
F 4PCS



G 2PCS



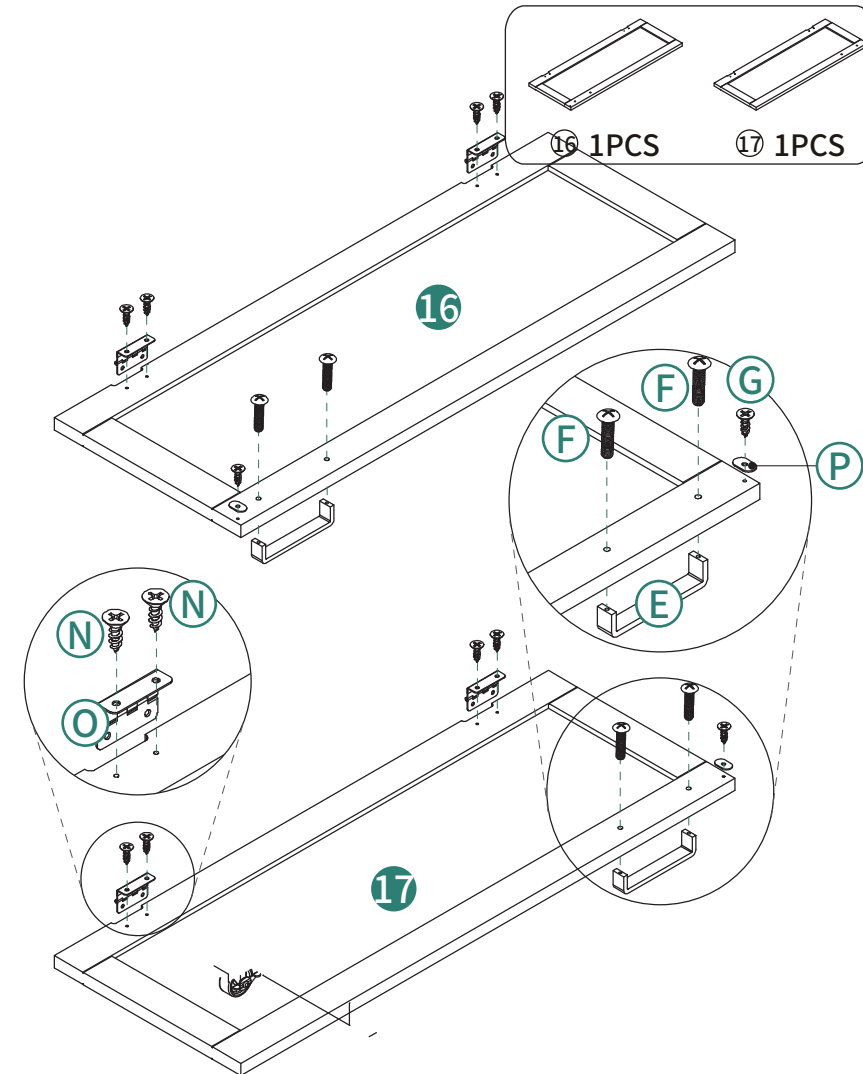
N 8PCS



O 4PCS



P 2PCS

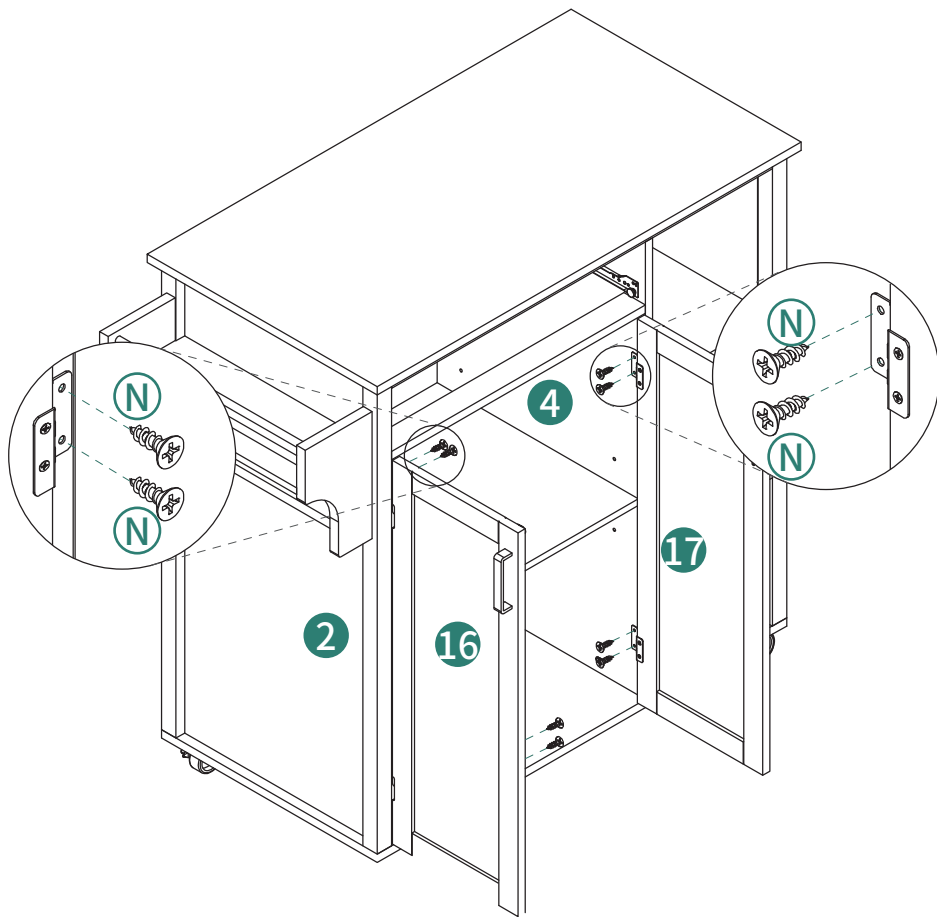


24

21



(N) 8PCS



25

22



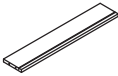
(D) 4PCS



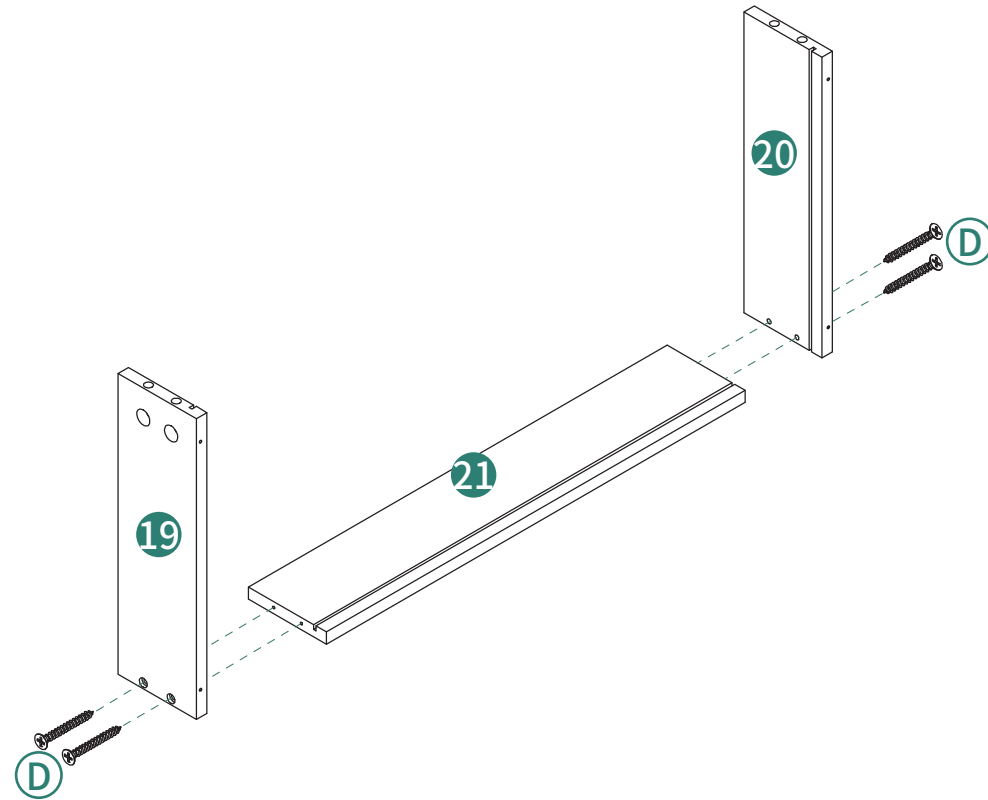
(19) 1PCS



(20) 1PCS

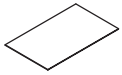


(21) 1PCS

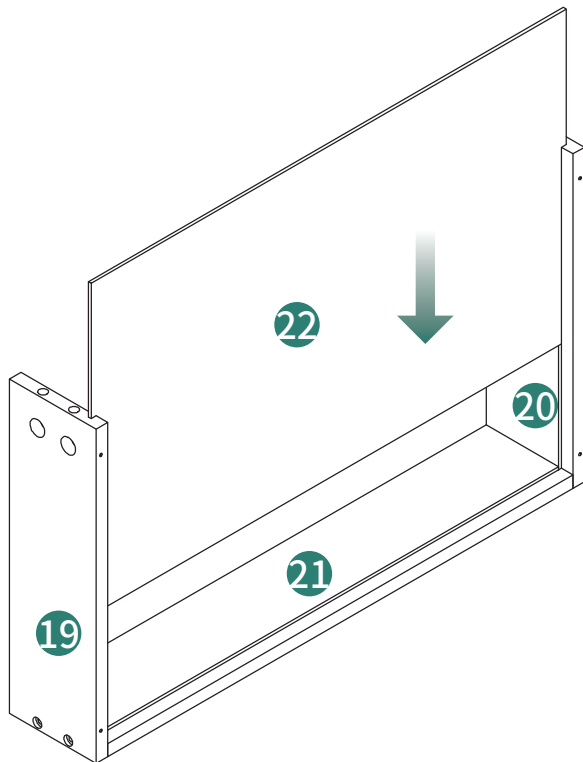


26

23

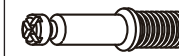


22 1PCS

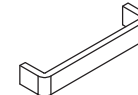


27

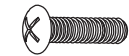
24



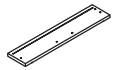
A 4PCS



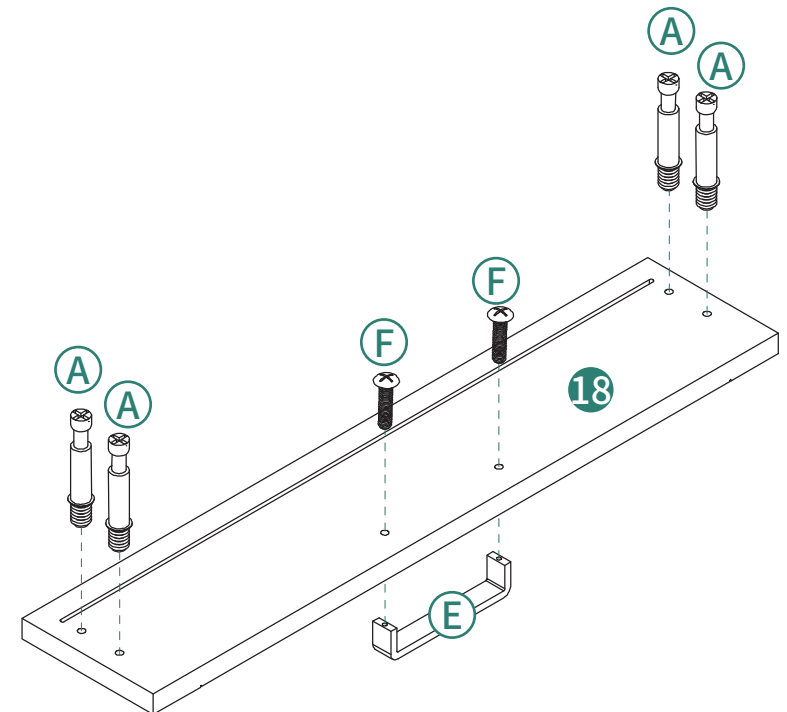
E 1PCS



F 2PCS

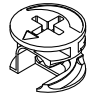


18 1PCS

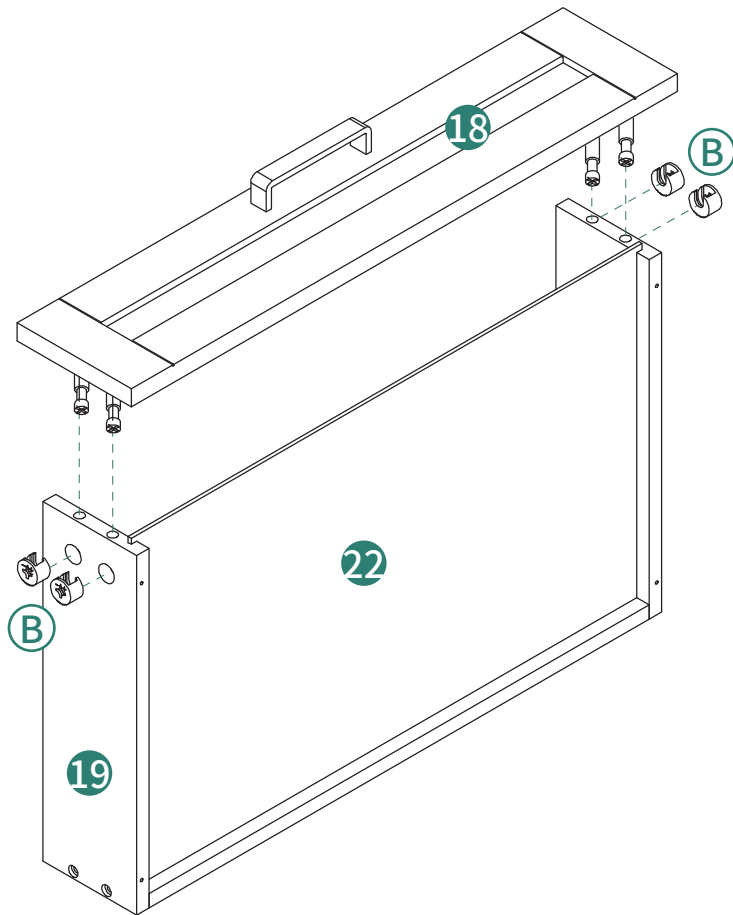


28

25



Ⓑ 4PCS



29

26



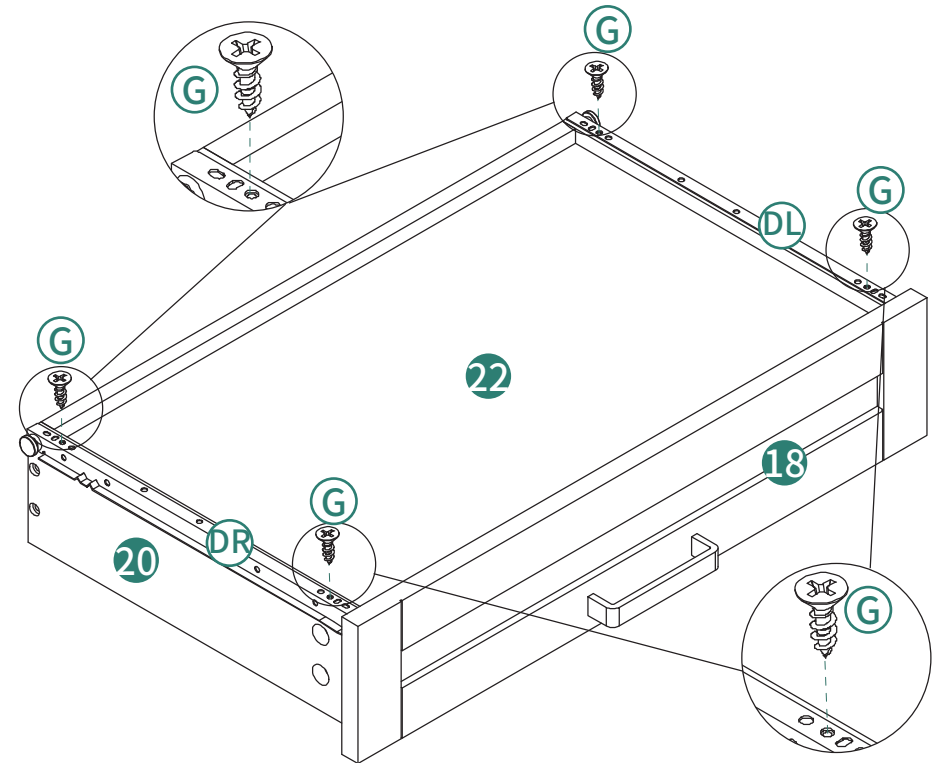
Ⓒ 4PCS



Ⓓ 1PCS

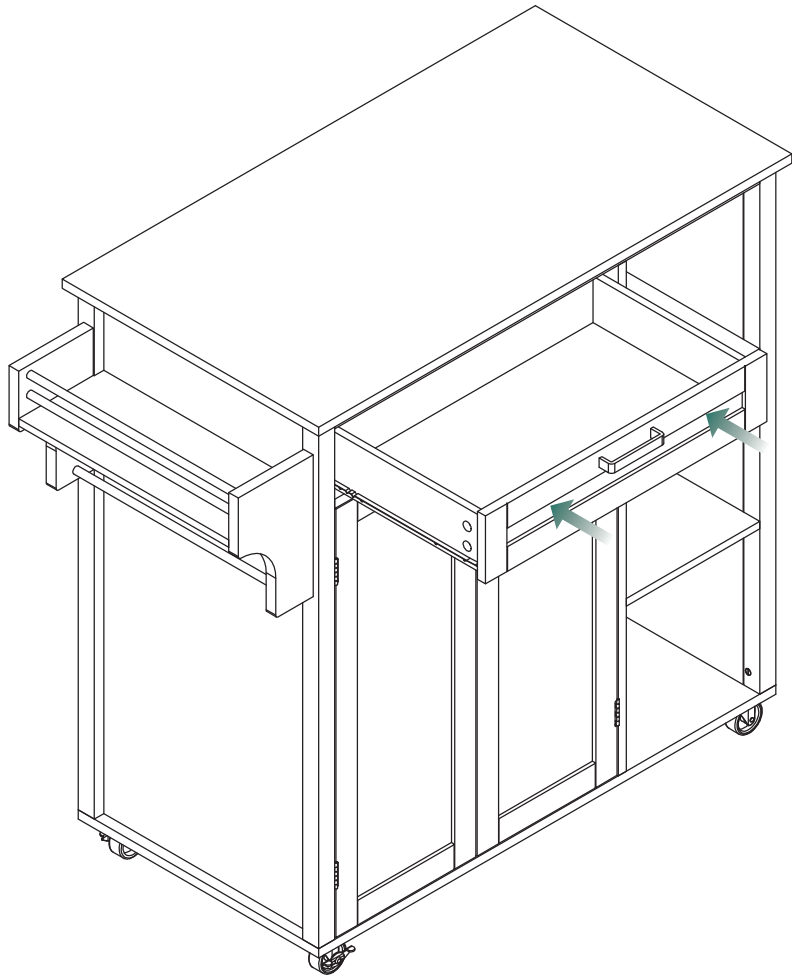


ⒹR 1PCS



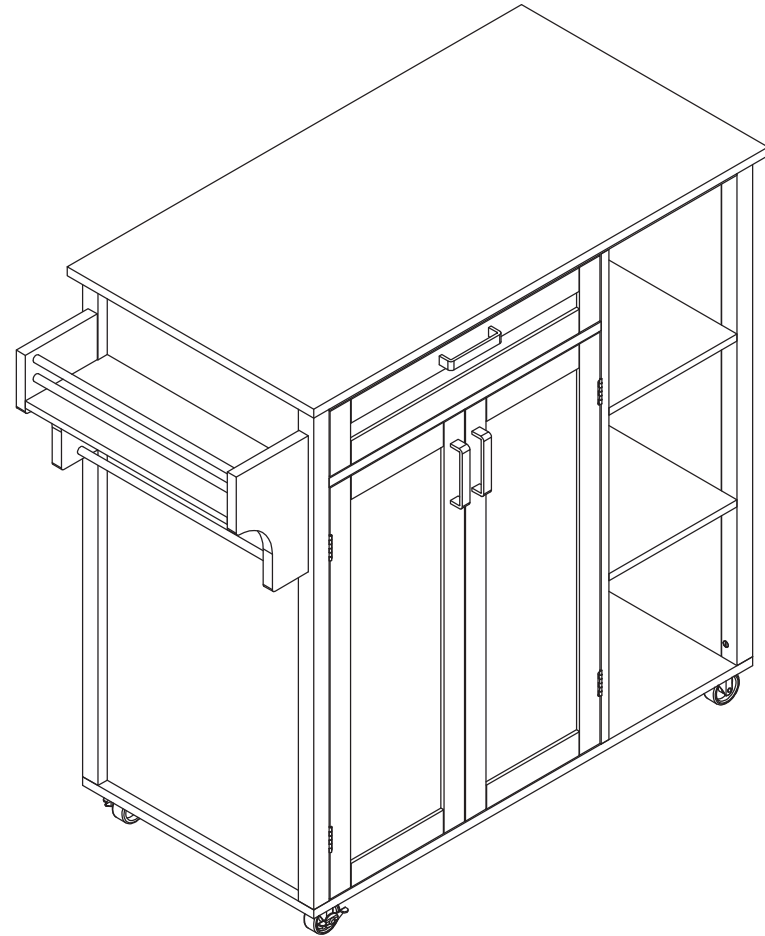
30

27



31

28



32