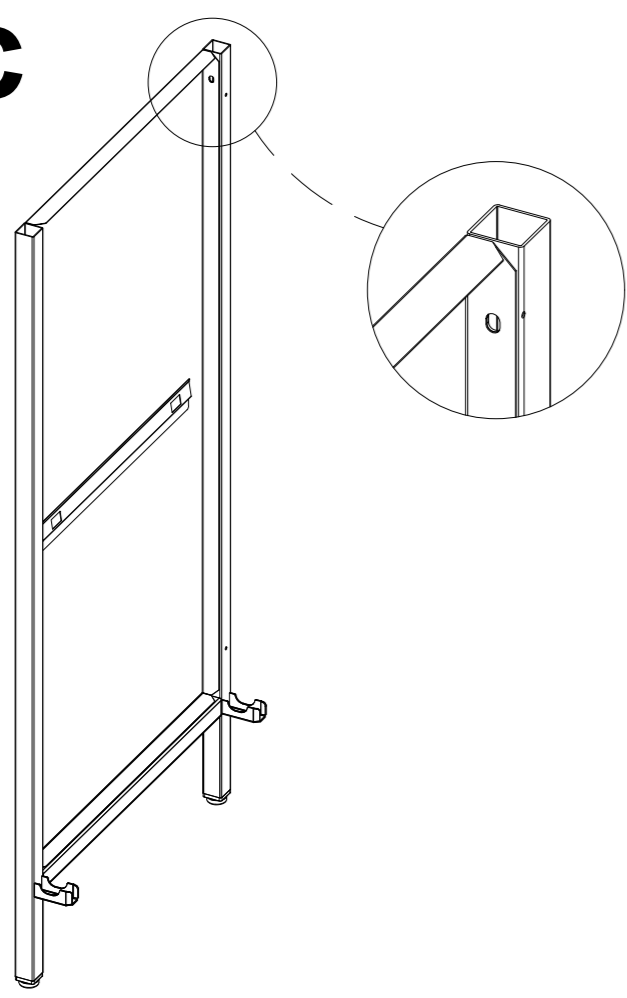
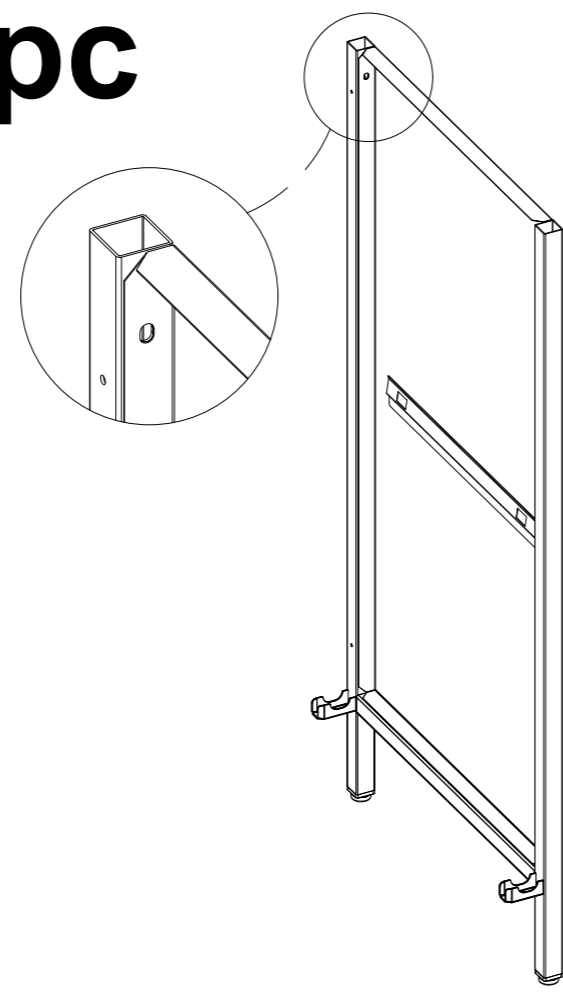


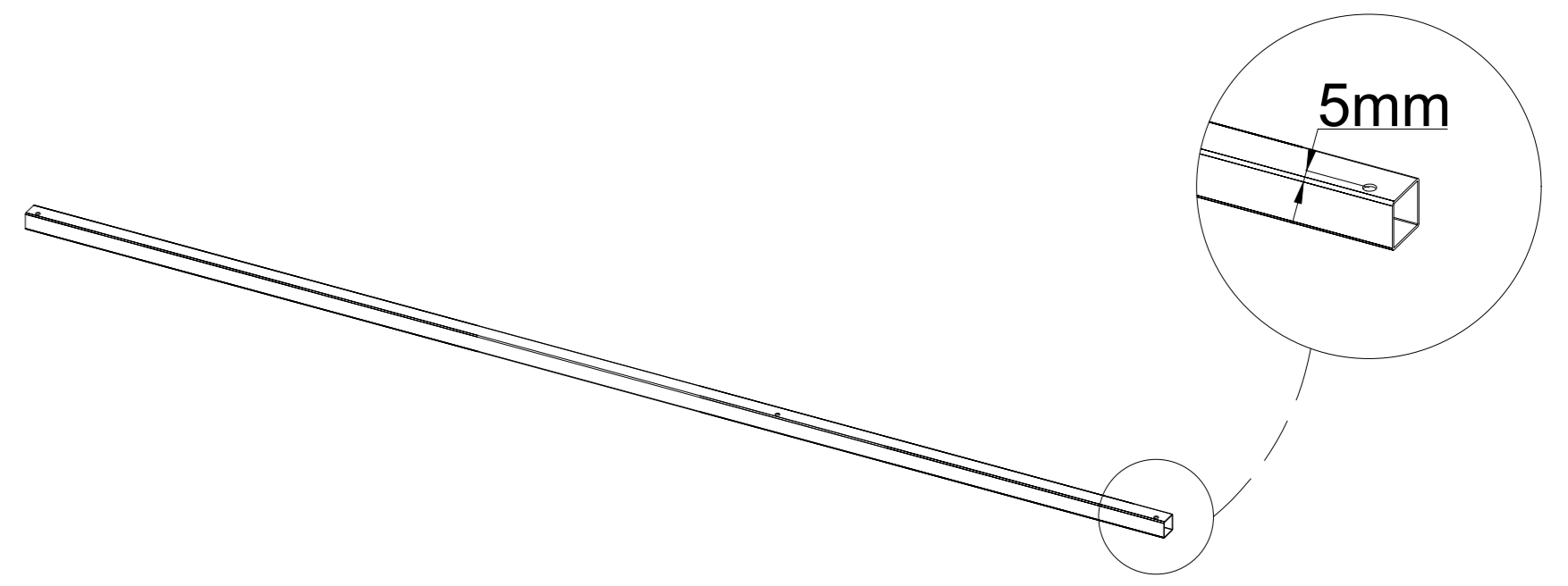
1×1pc



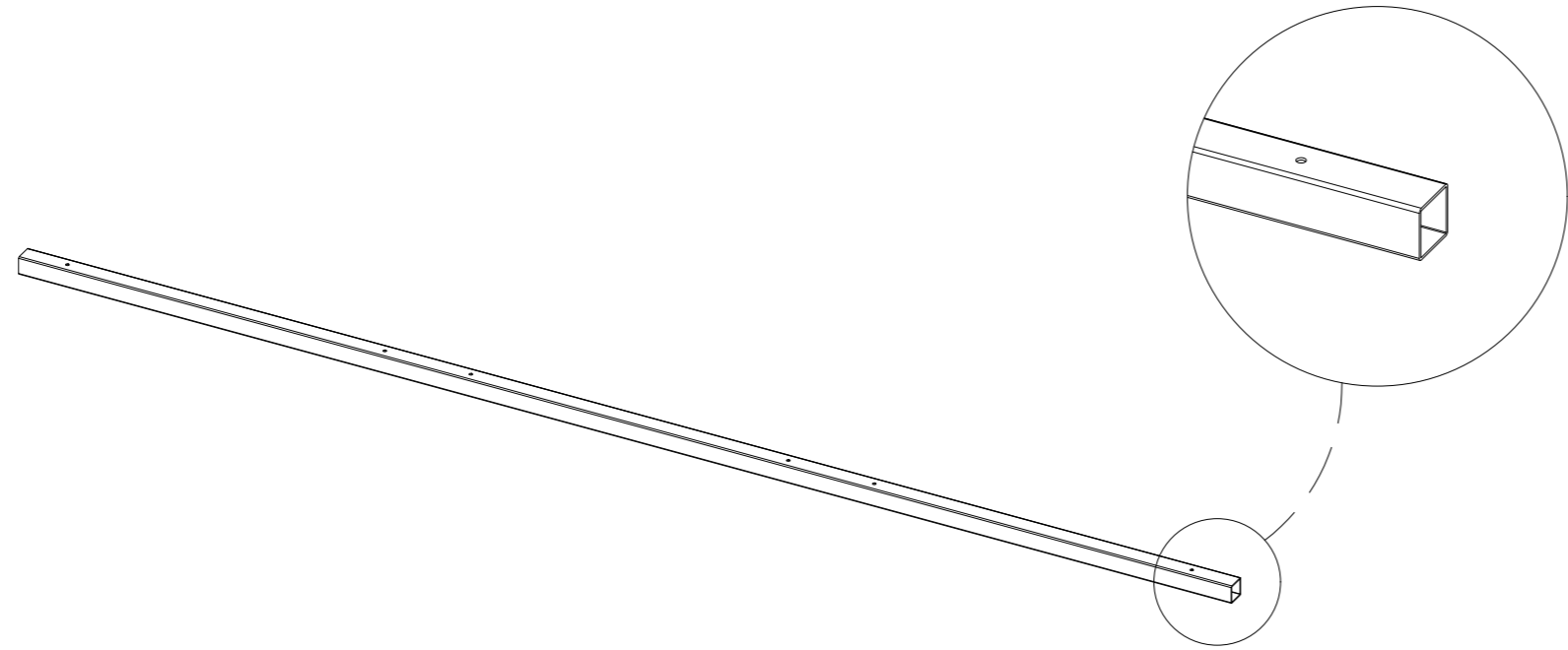
2×1pc



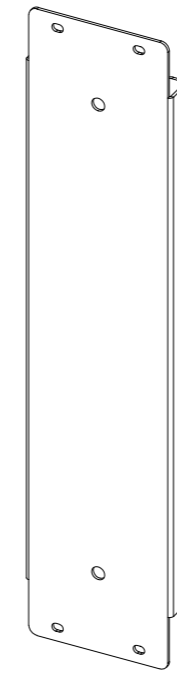
3×1pc



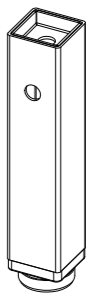
4×1pc



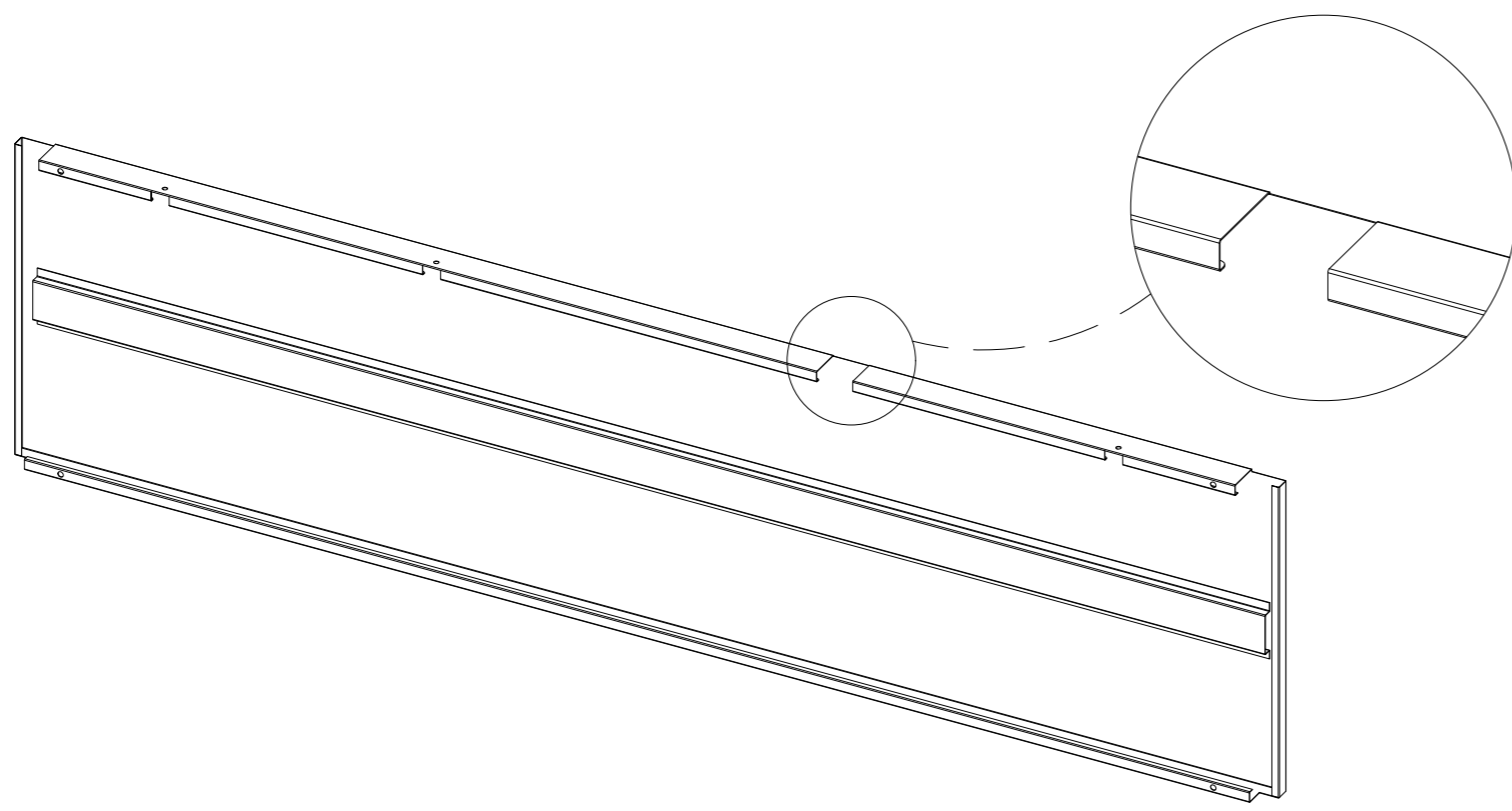
5×1pc



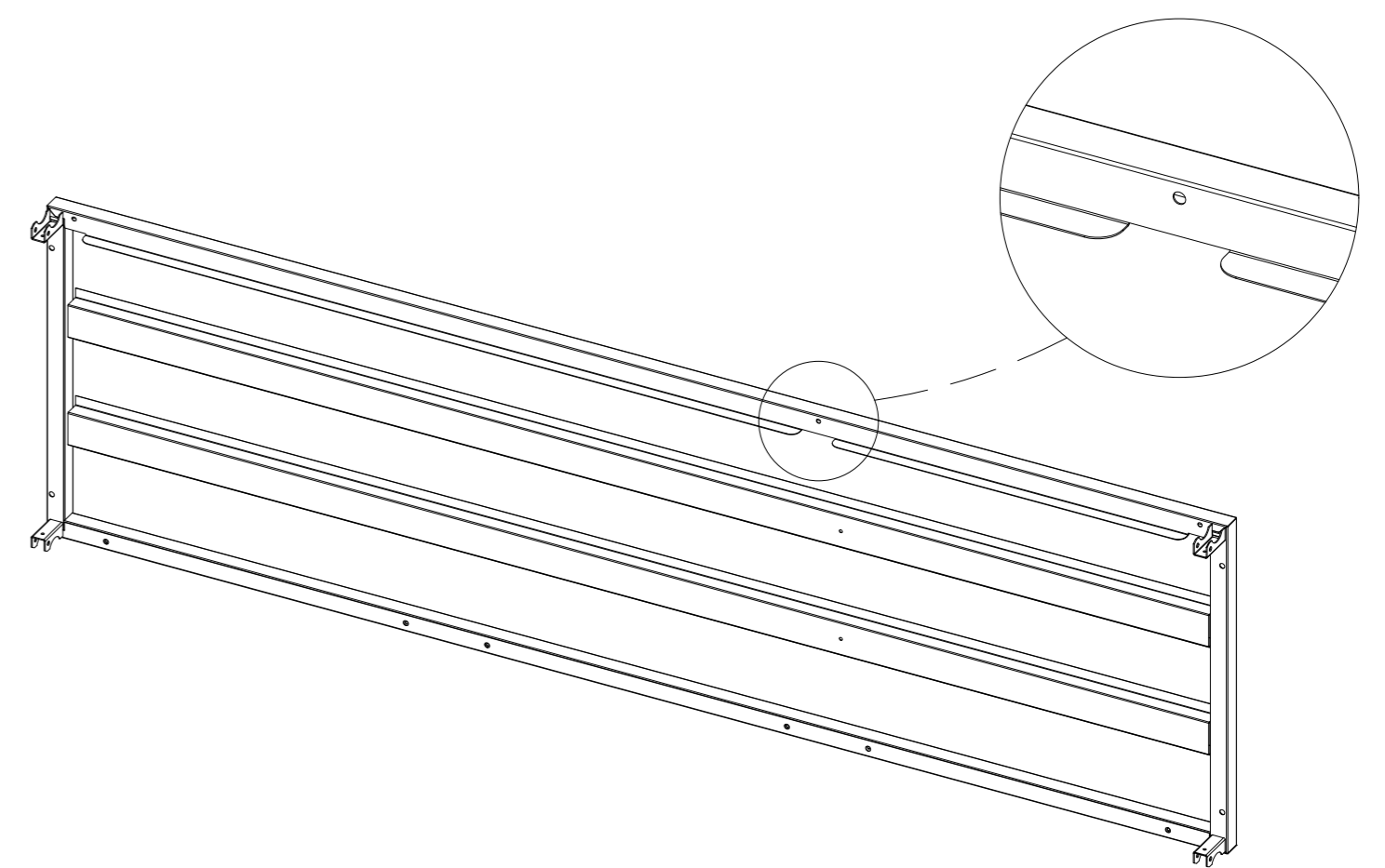
6×2pcs



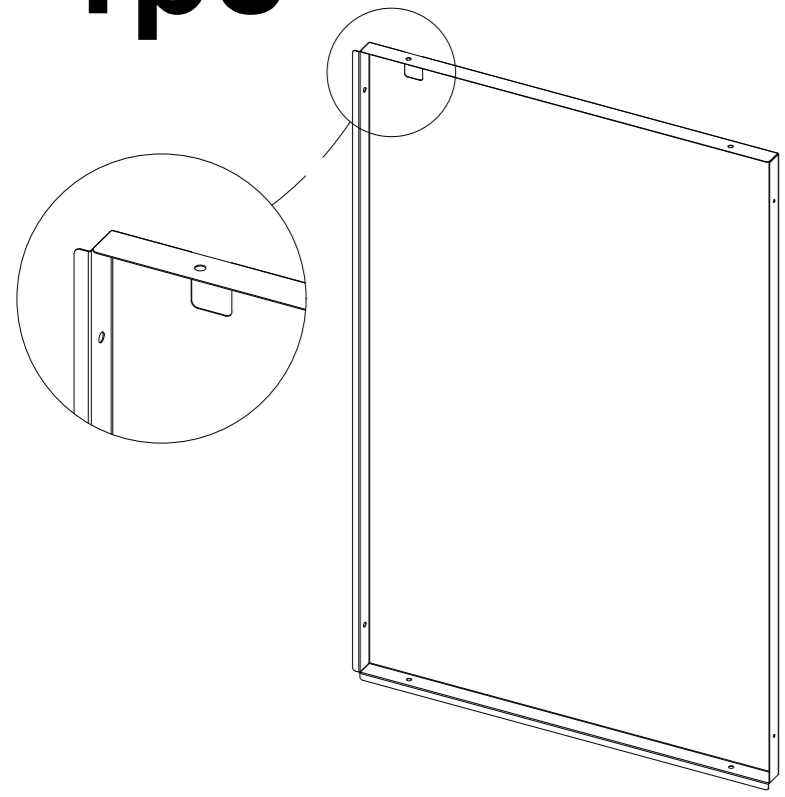
7×1pc



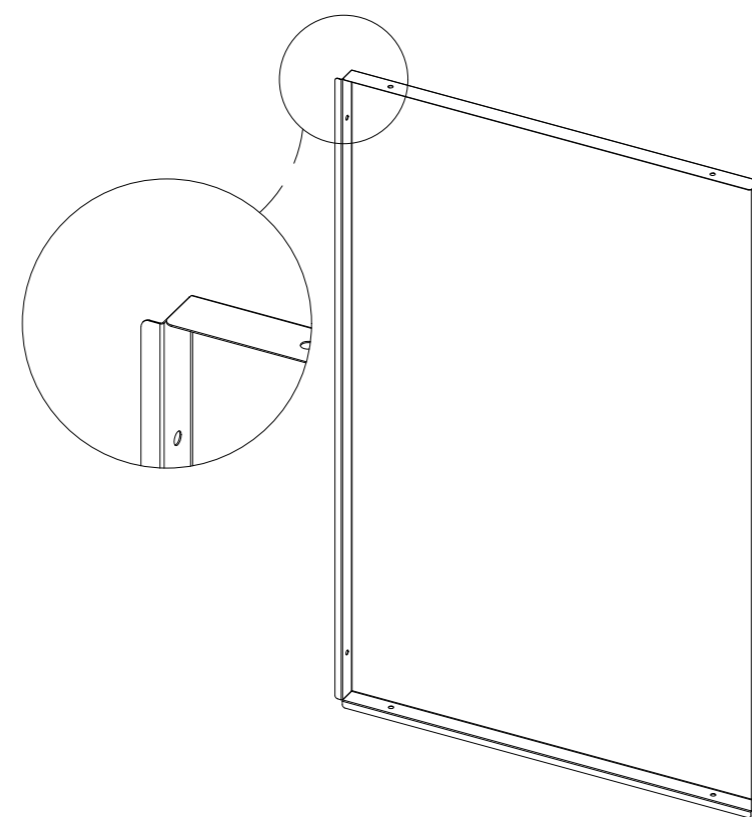
8×1pc



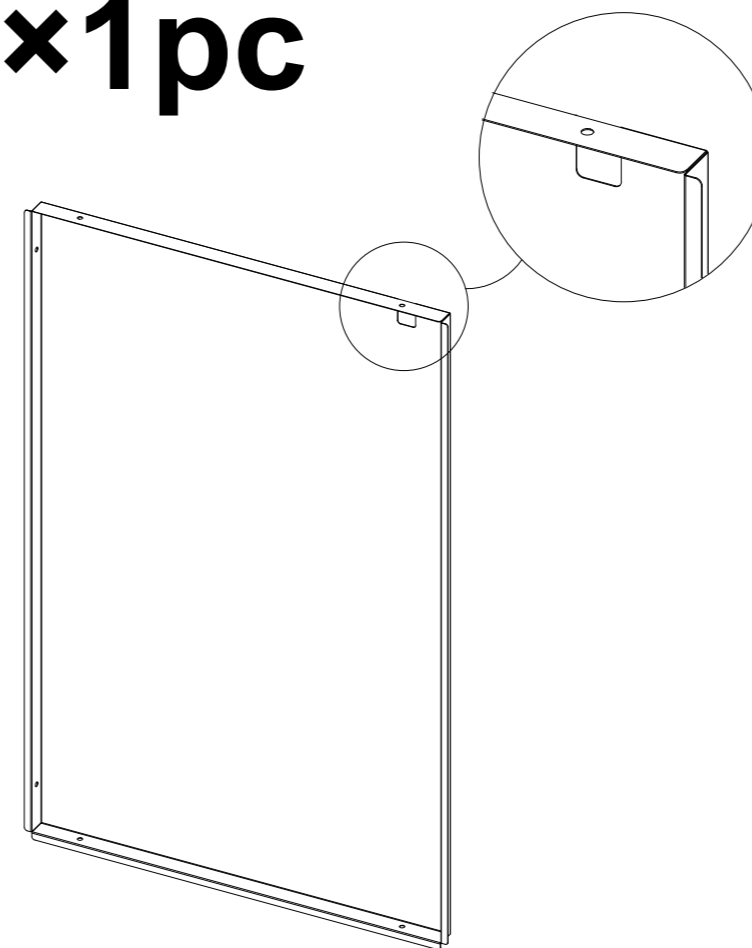
9×1pc



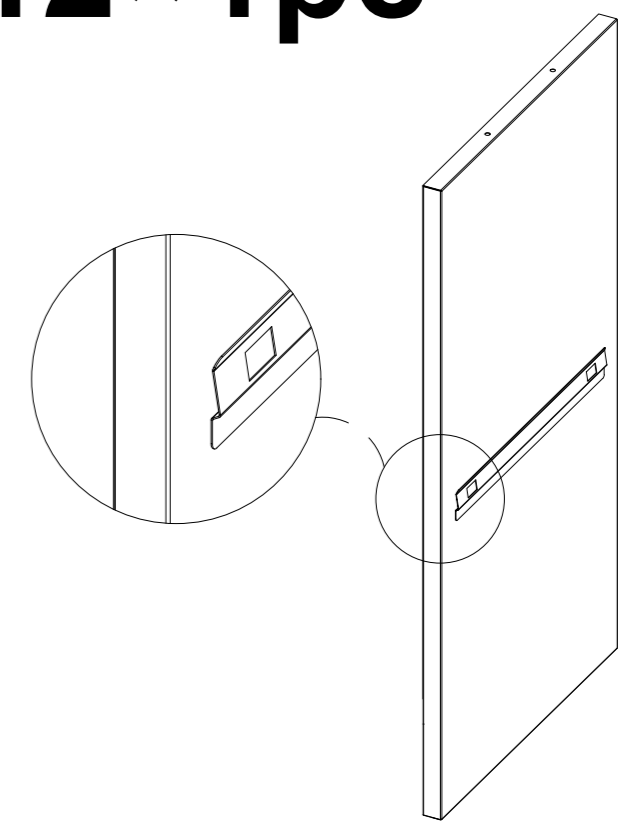
10×1pc



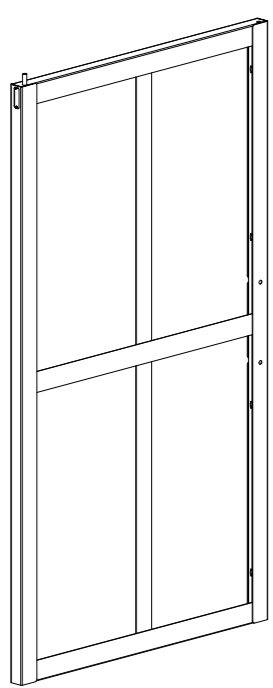
11×1pc



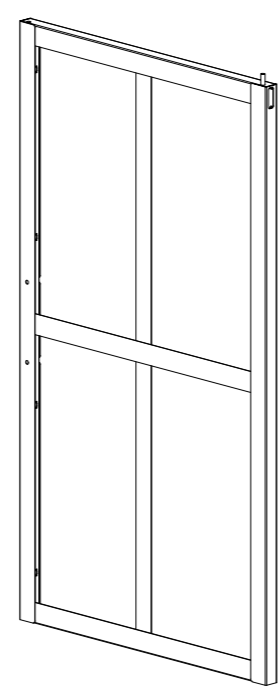
12×1pc



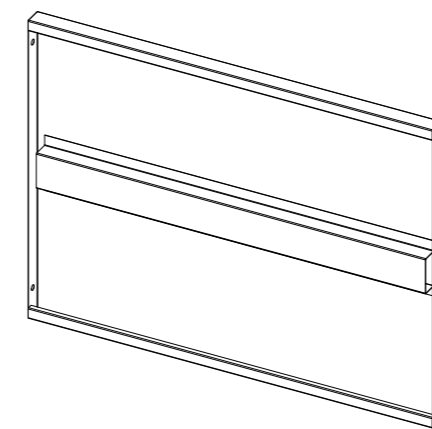
13×1pc



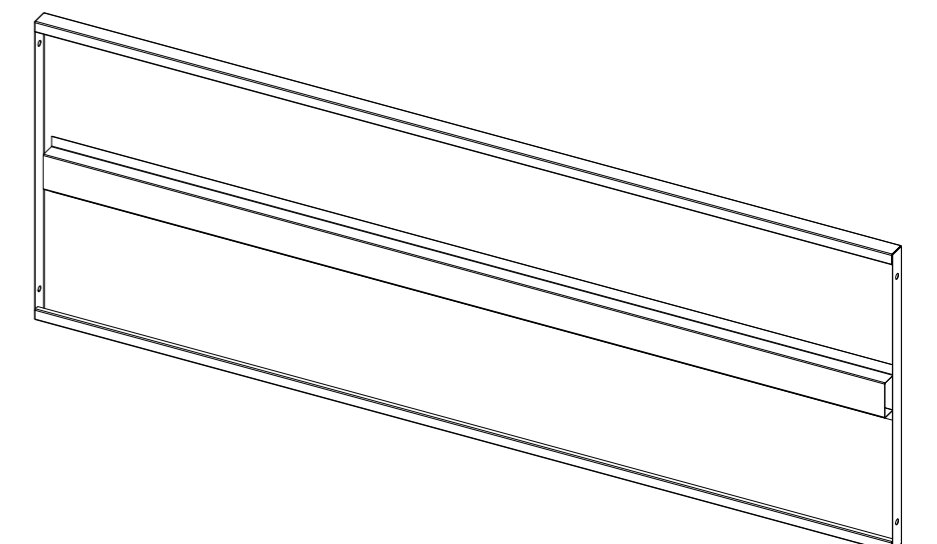
14×2pcs



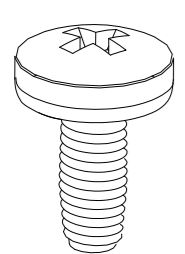
15×1pc



16×1pc

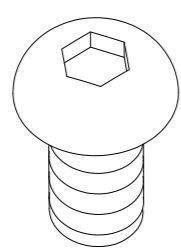


A×45pcs



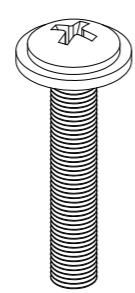
M4×8 mm

B×4pcs



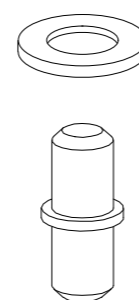
M6×10 mm

C×6pcs



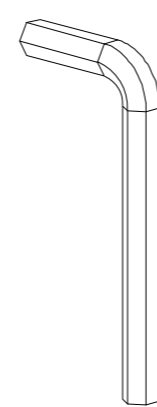
M4×22 mm

D×3pcs



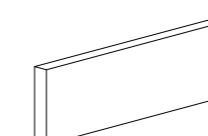
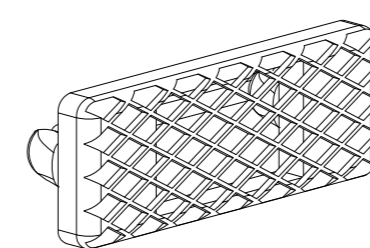
Ø4.8×22 mm

E×1pc

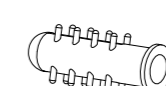


4 mm

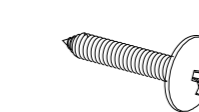
G×6pcs



H×2pcs

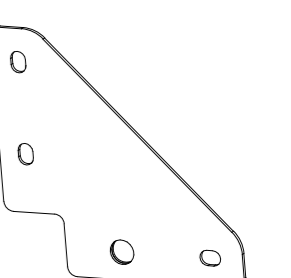


M8

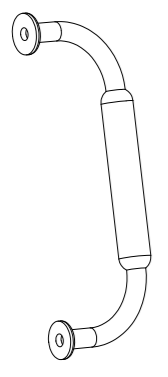


M5×40 mm

I×4pcs

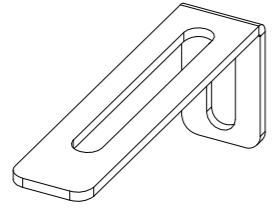


J×3pcs

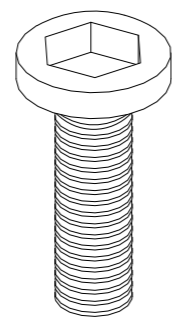


96 mm

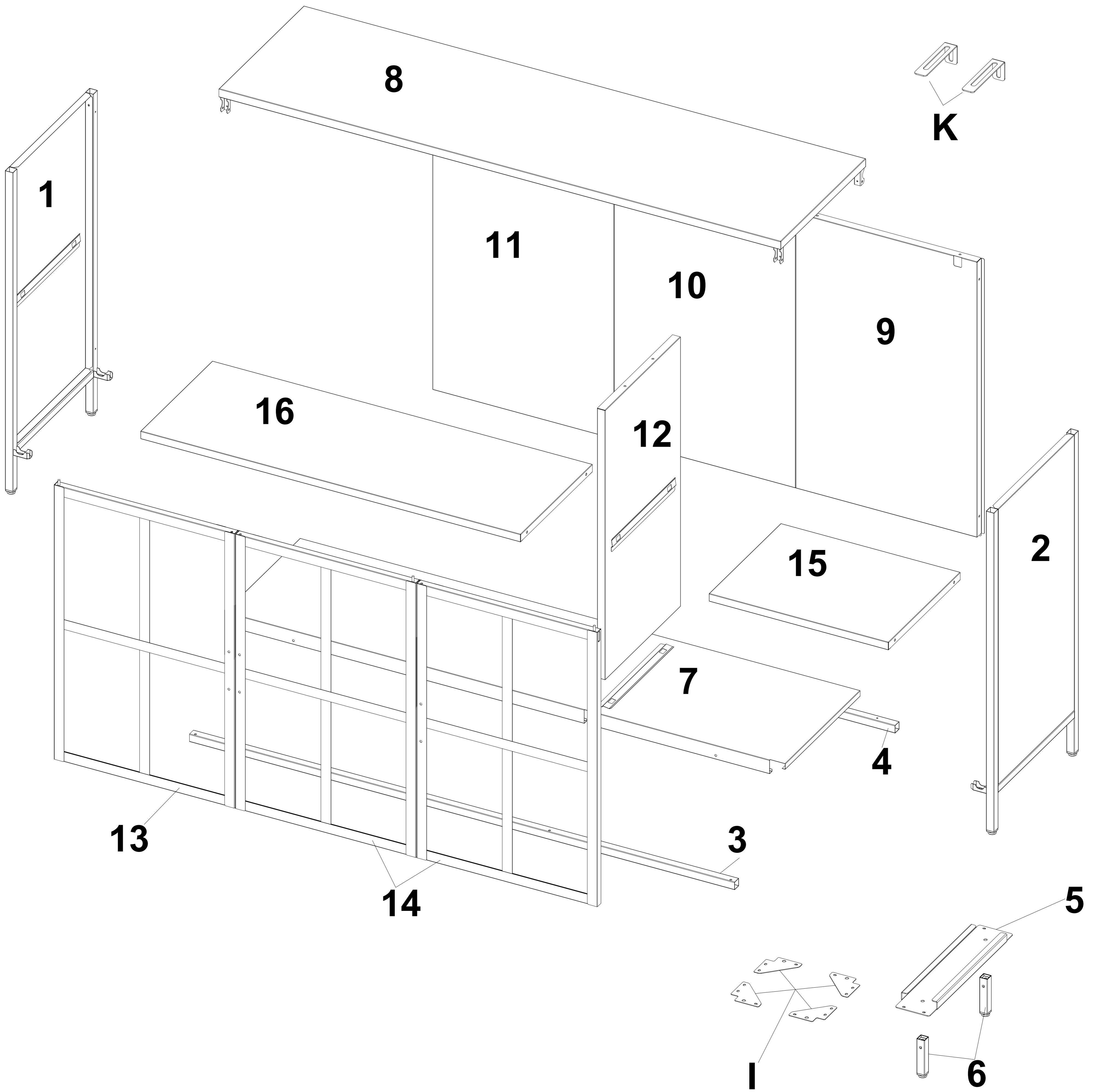
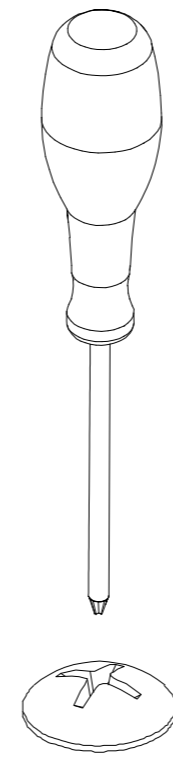
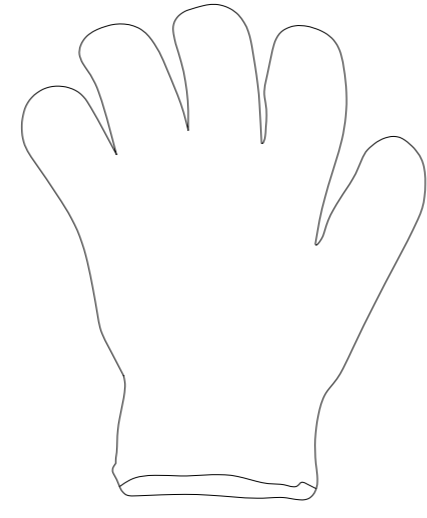
K×2pcs



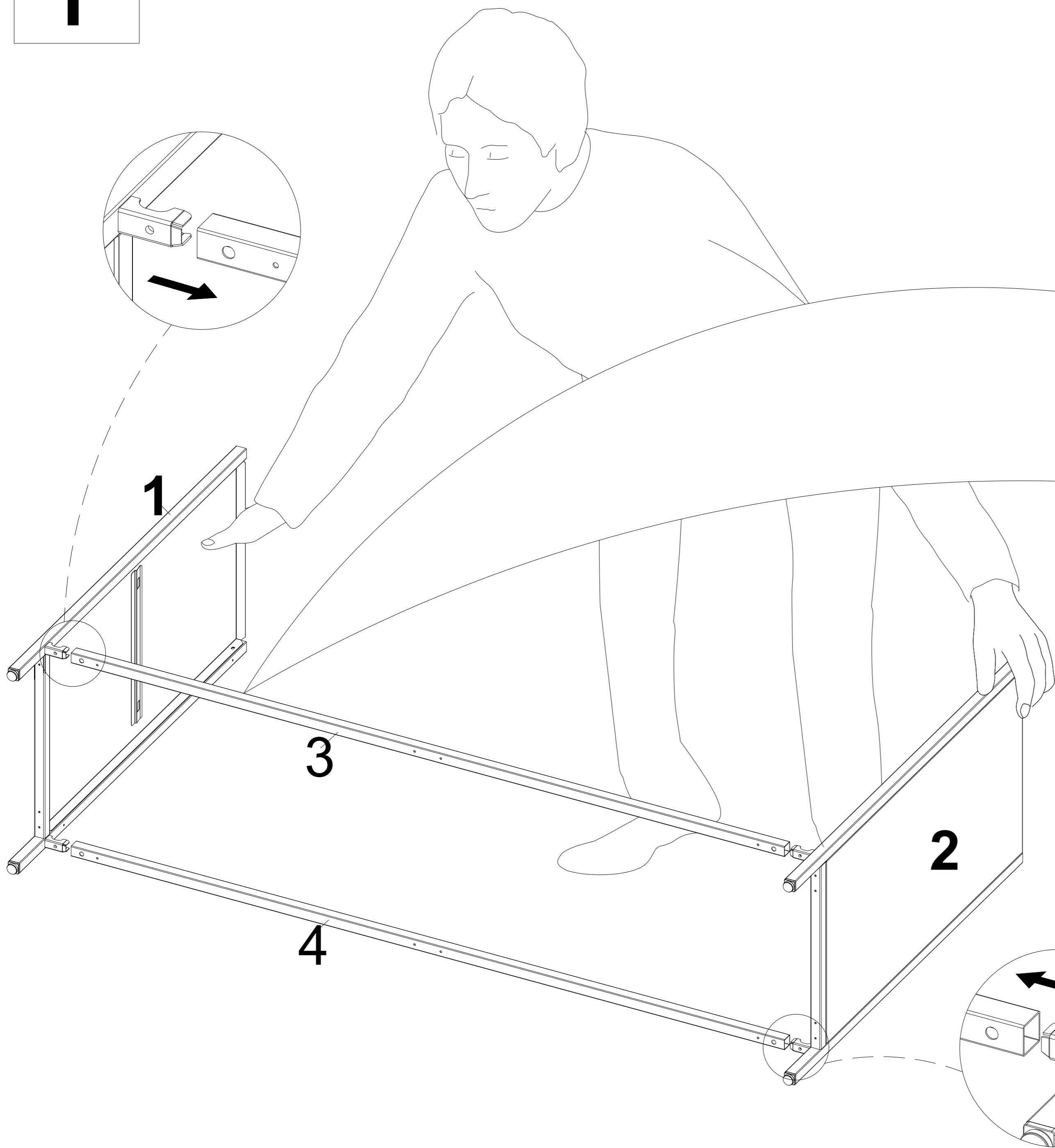
L×2pcs



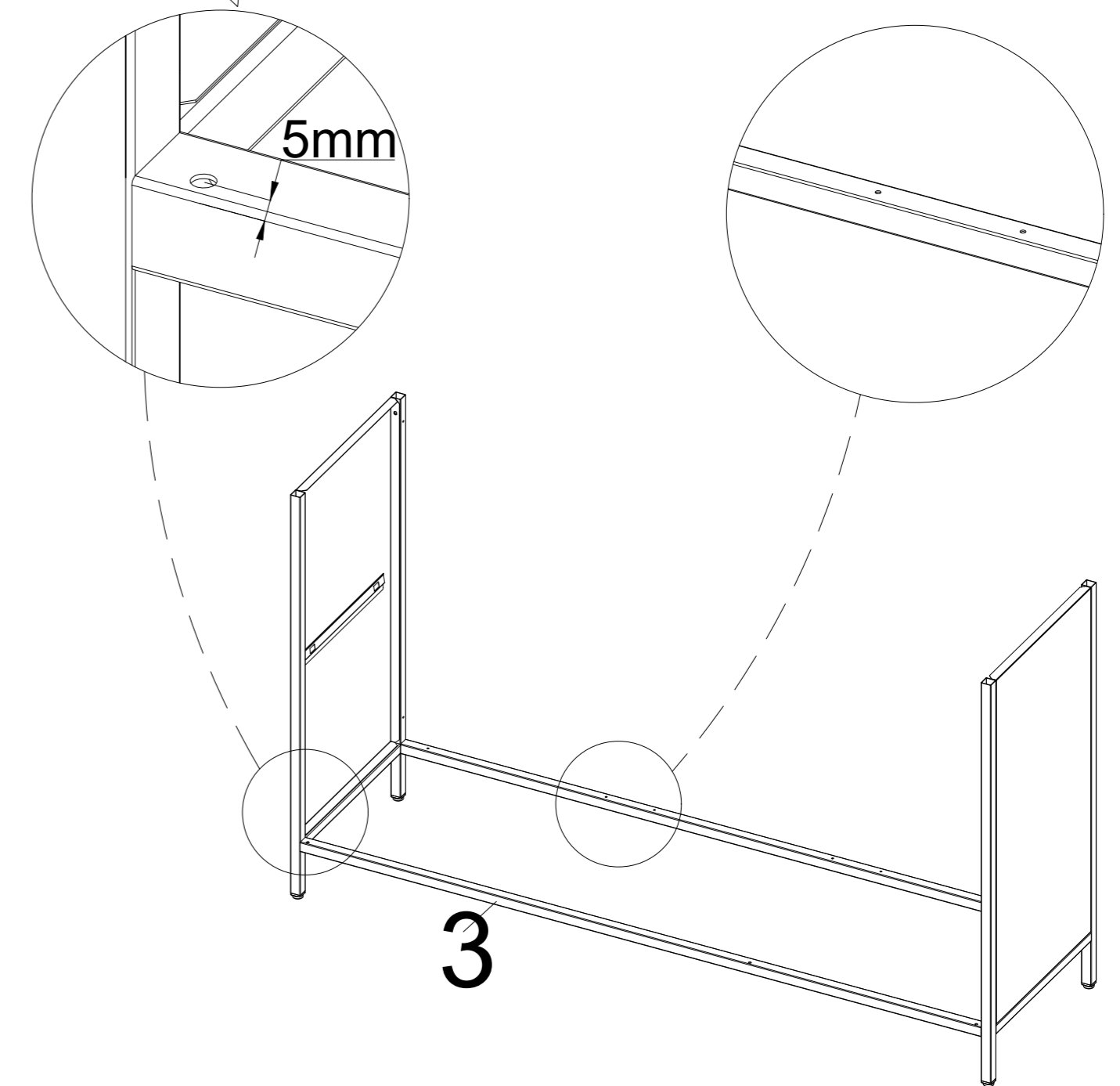
M6×25 mm



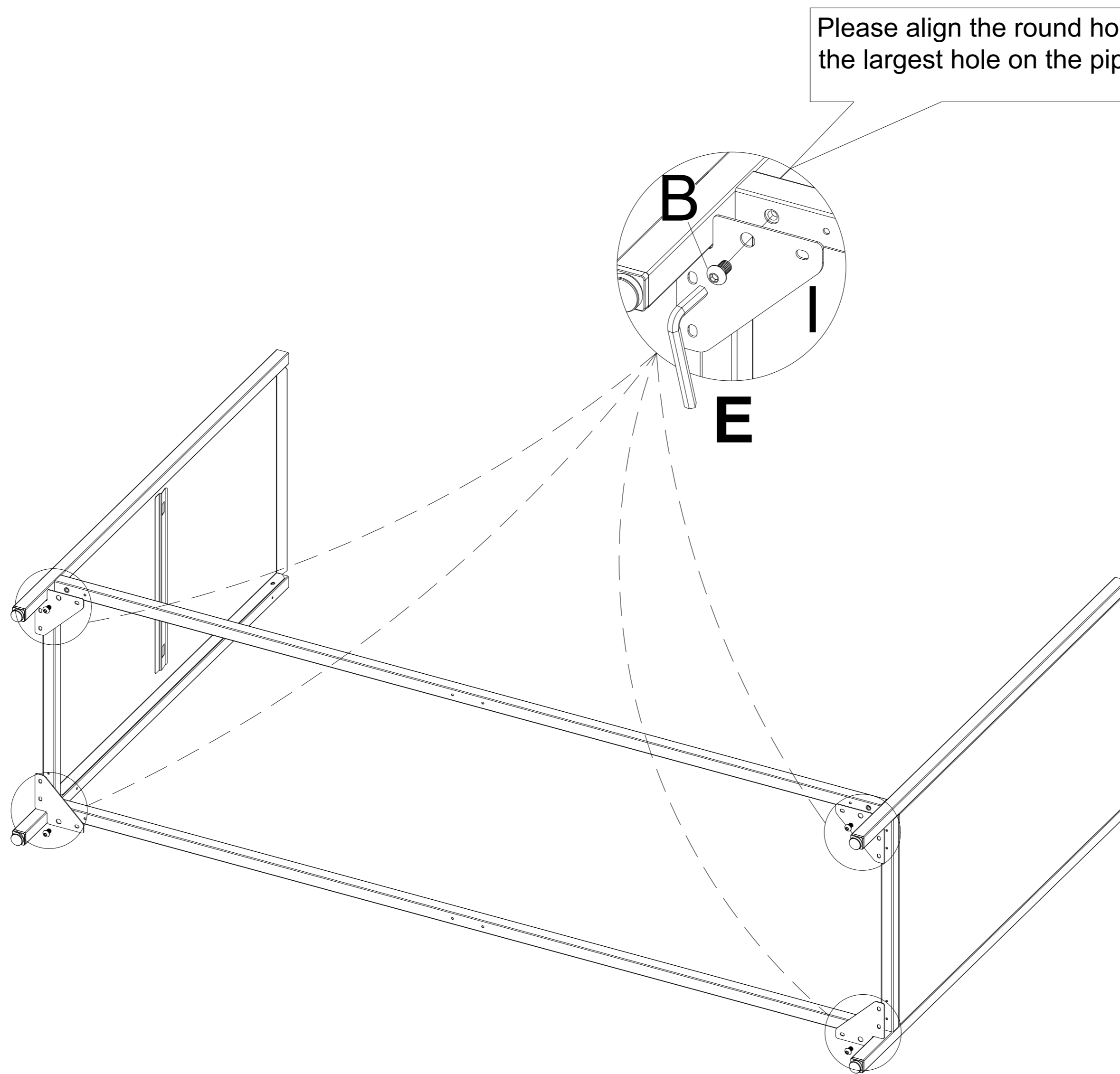
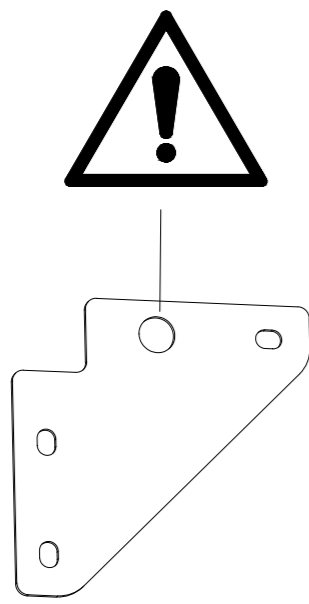
1



Note that the position of this hole is on the outer side. When installing, differentiate between the front and back orientation of pipe number 3, as well as the left and right direction.

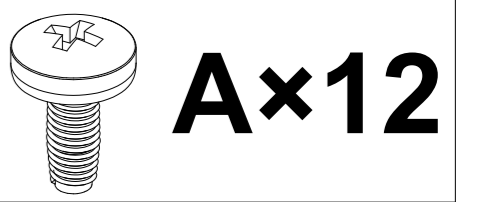
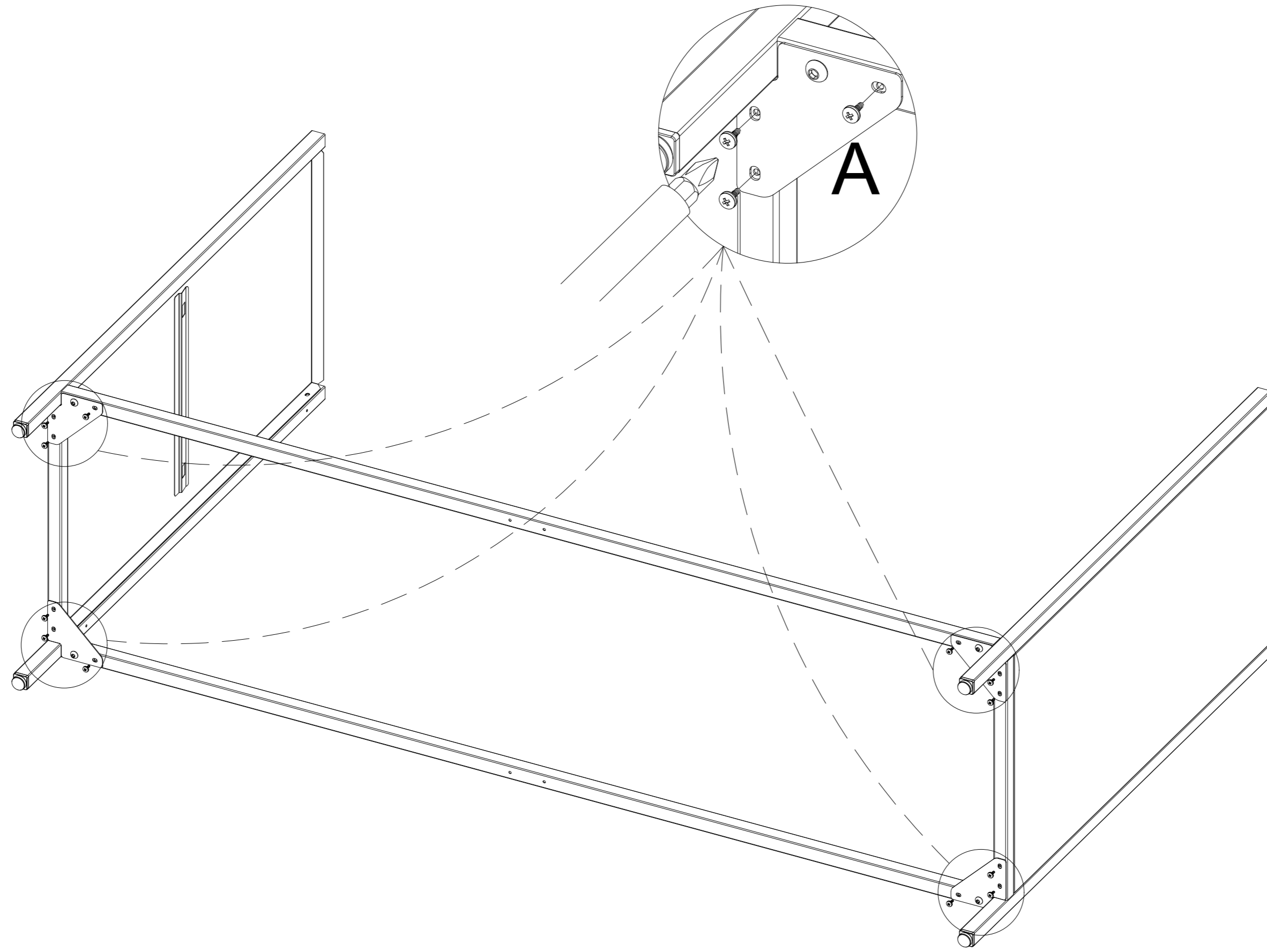


2



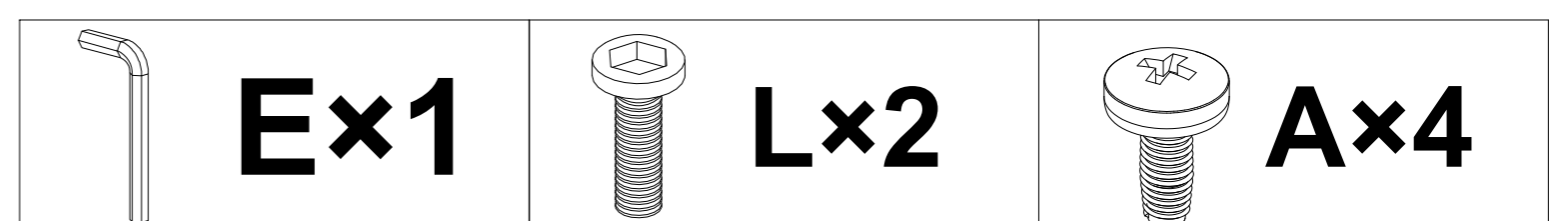
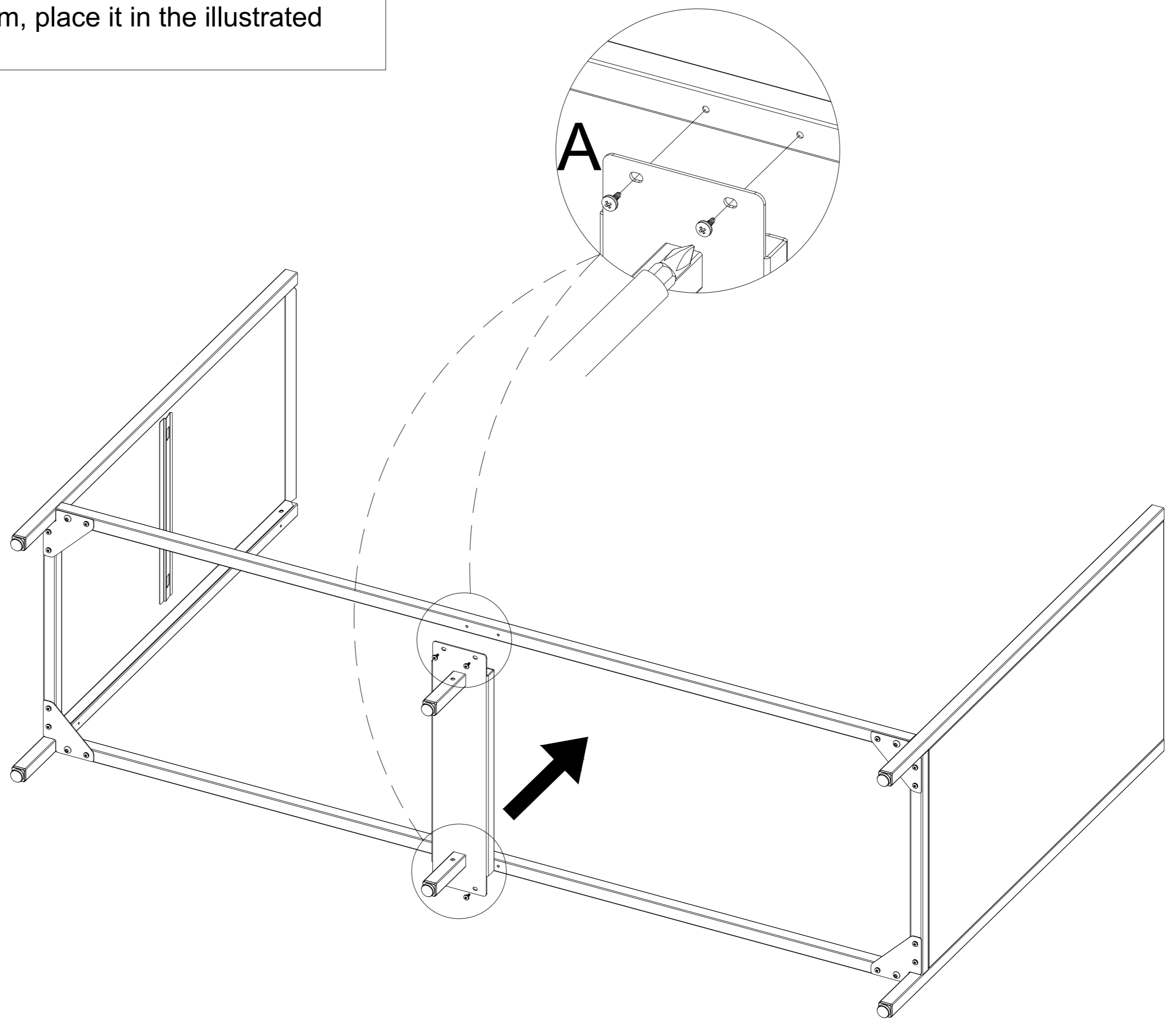
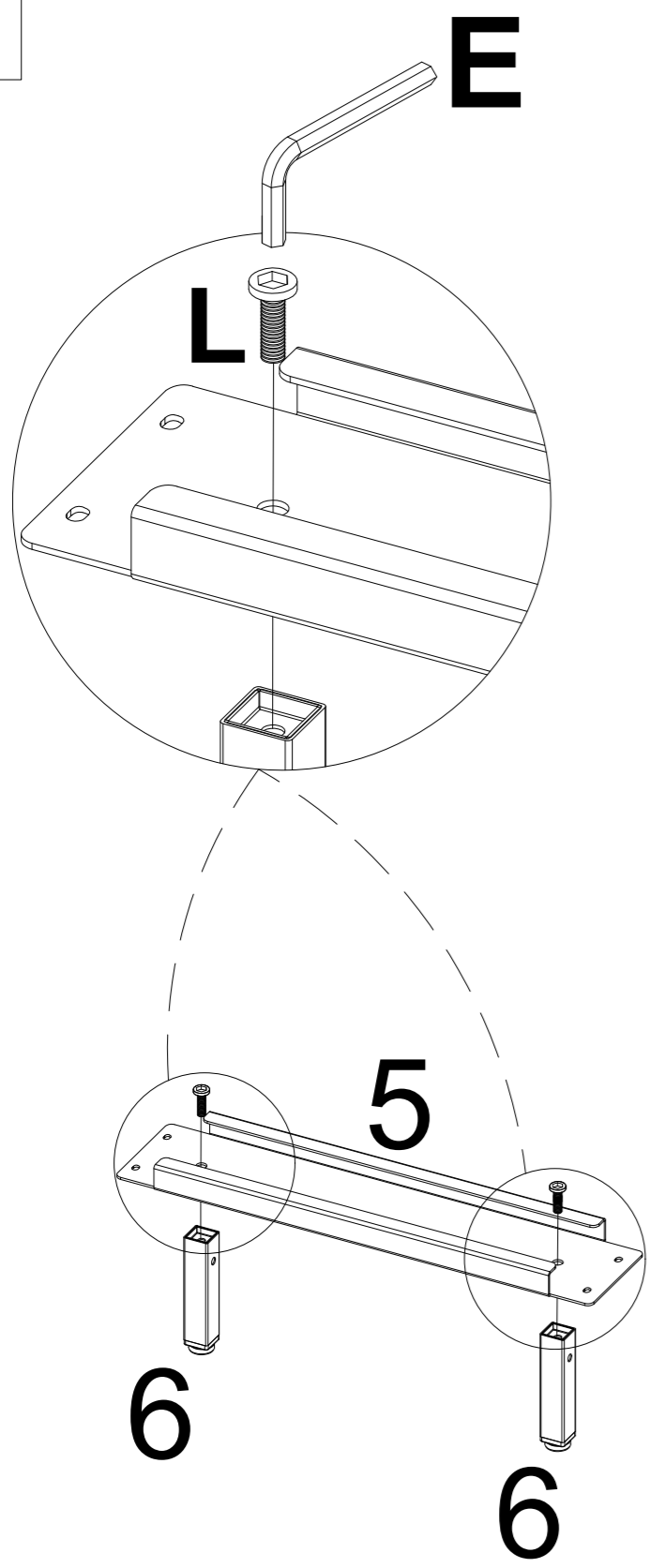
3

Install the remaining screws on the triangle piece.



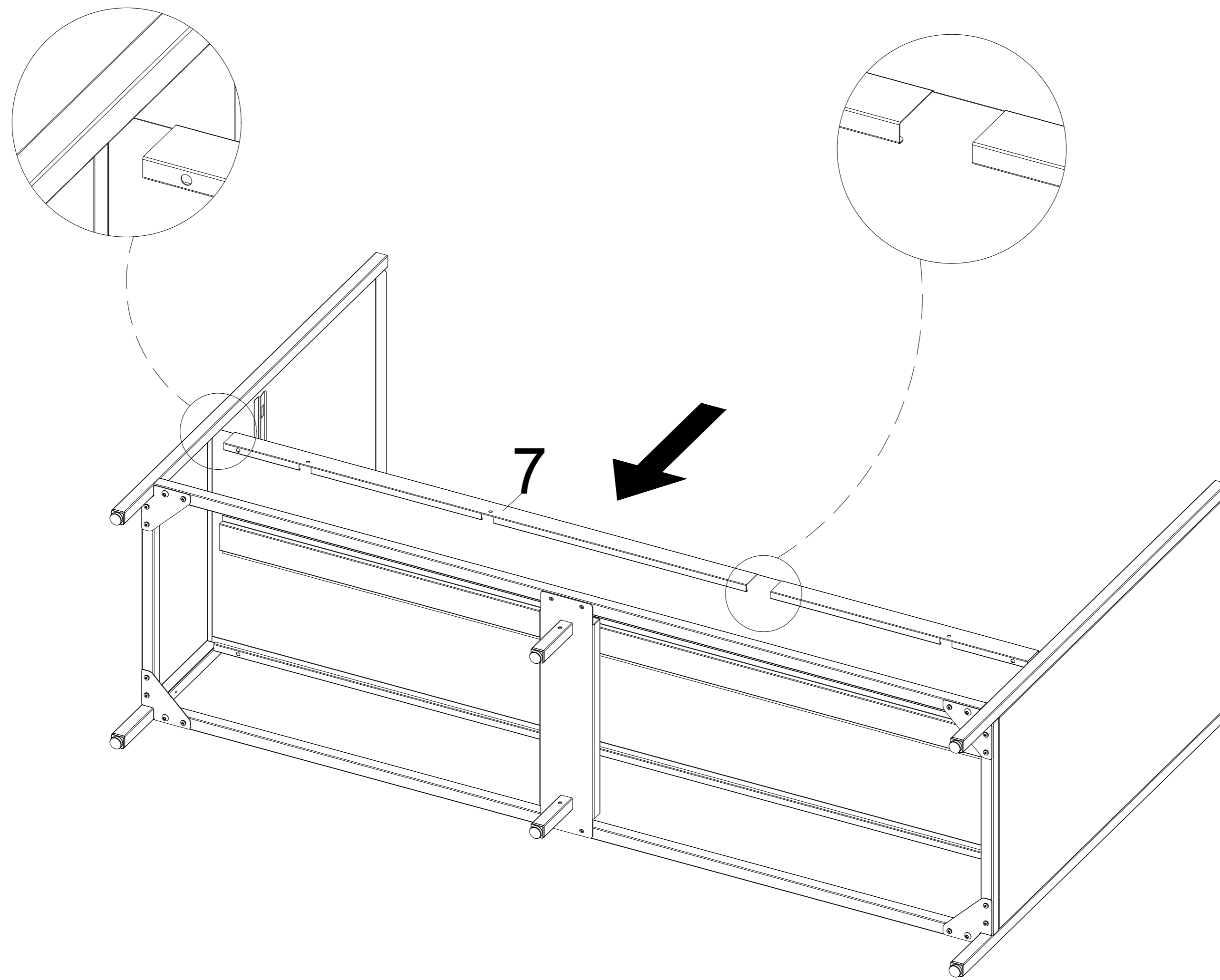
4

After assembling part number 6 onto part number 5 according to the diagram, place it in the illustrated position.



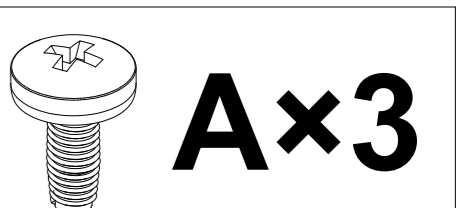
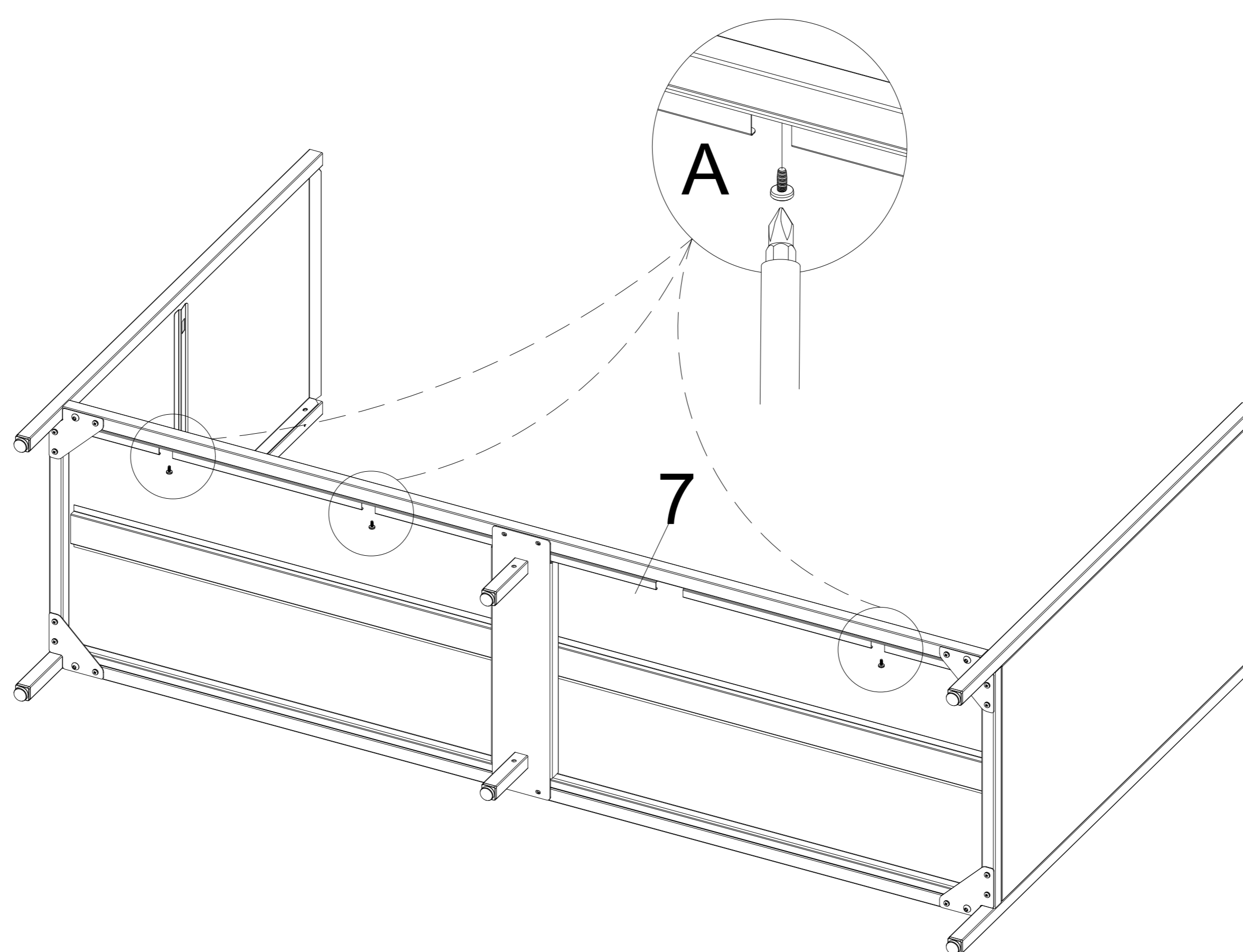
5

Pay attention to the orientation of part number 7.



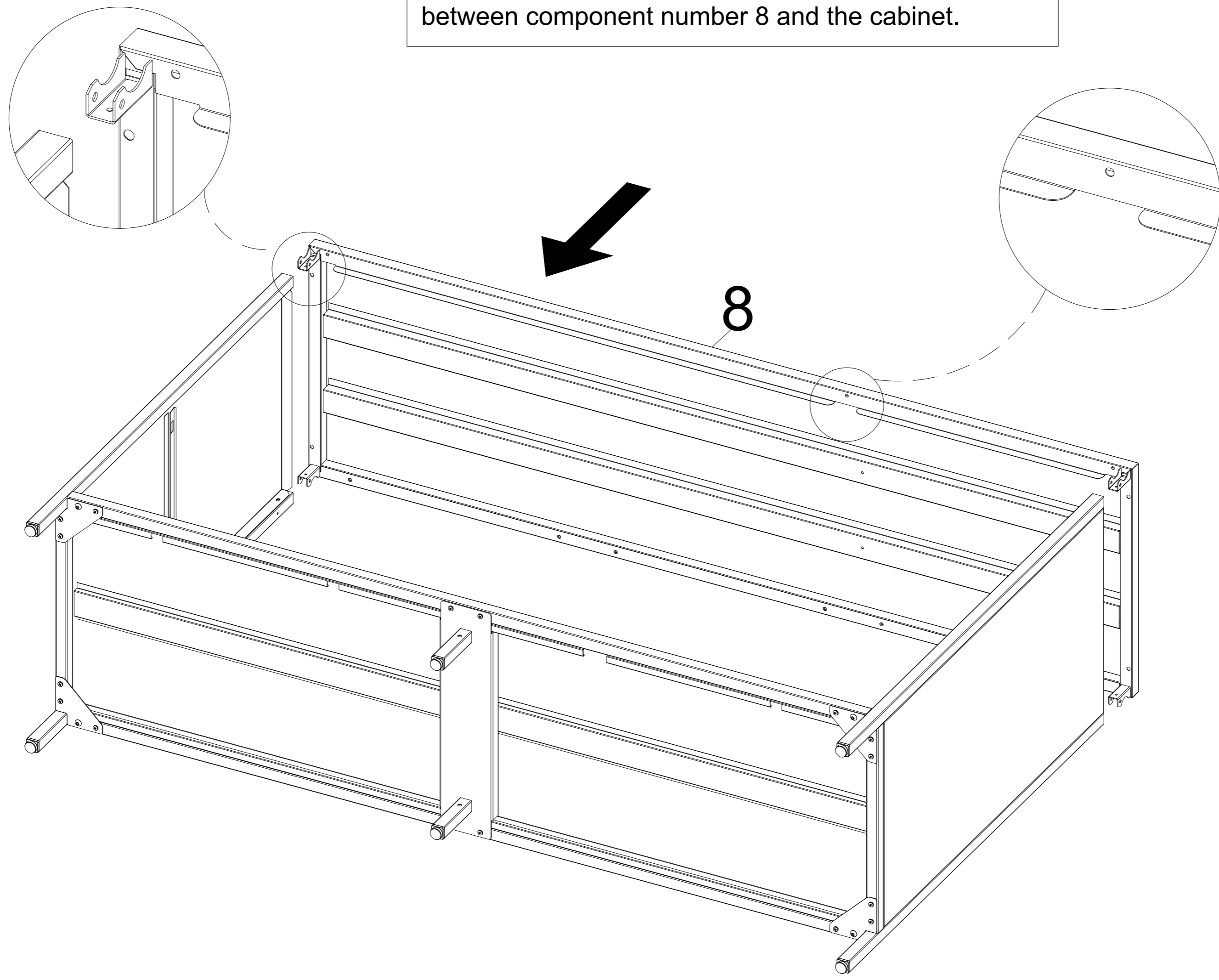
6

Fix part number 7 onto the cabinet and secure it in place with screw A.

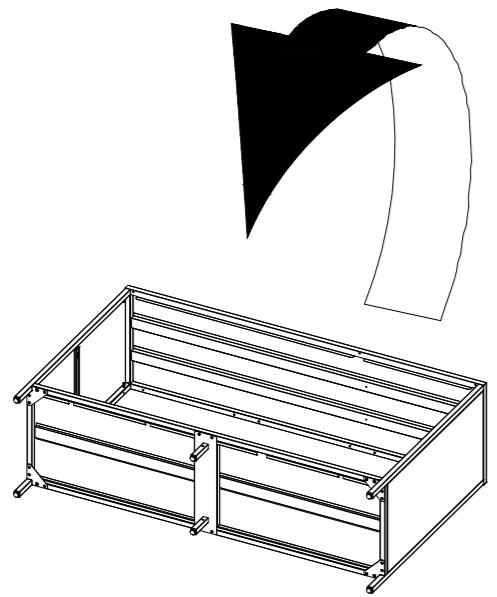


7

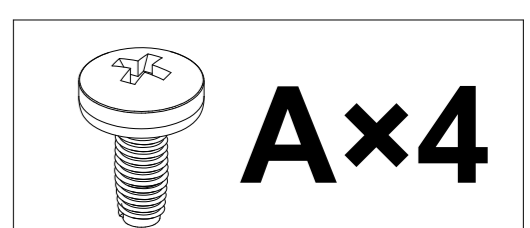
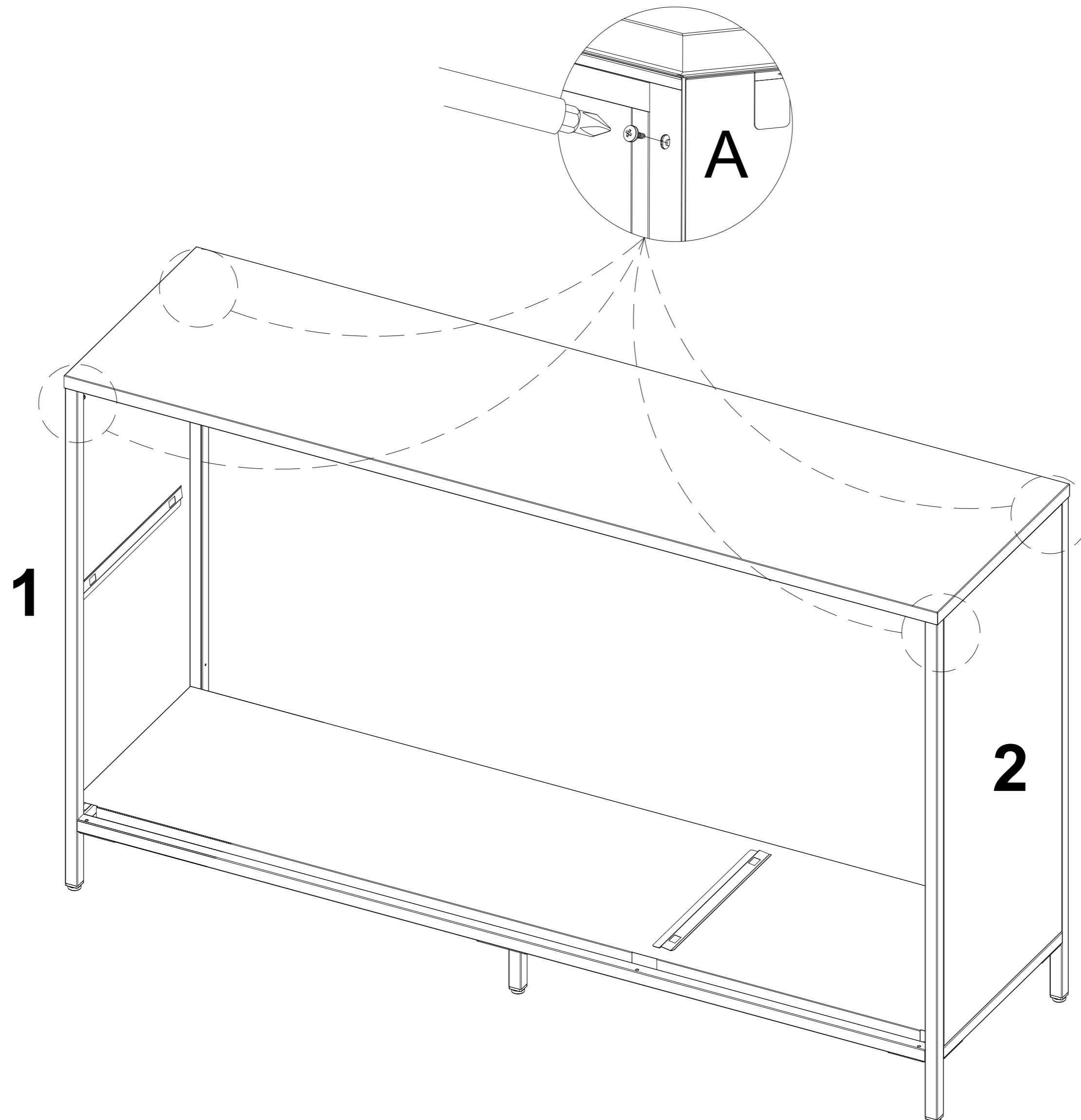
After installing component number 8, you can firmly tap the four corners of the component to reduce the gap between component number 8 and the cabinet.



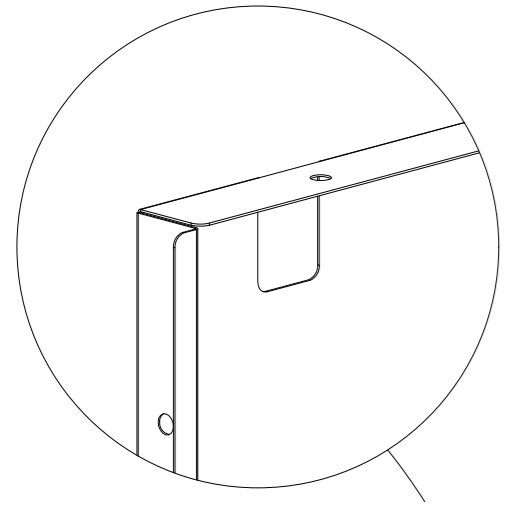
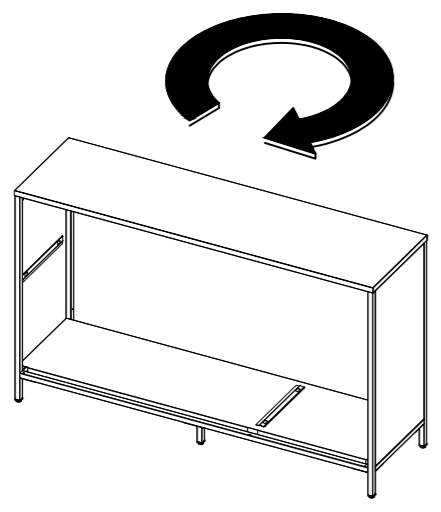
8



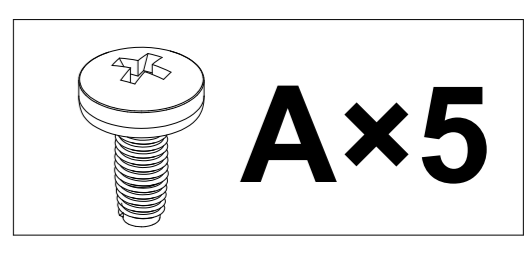
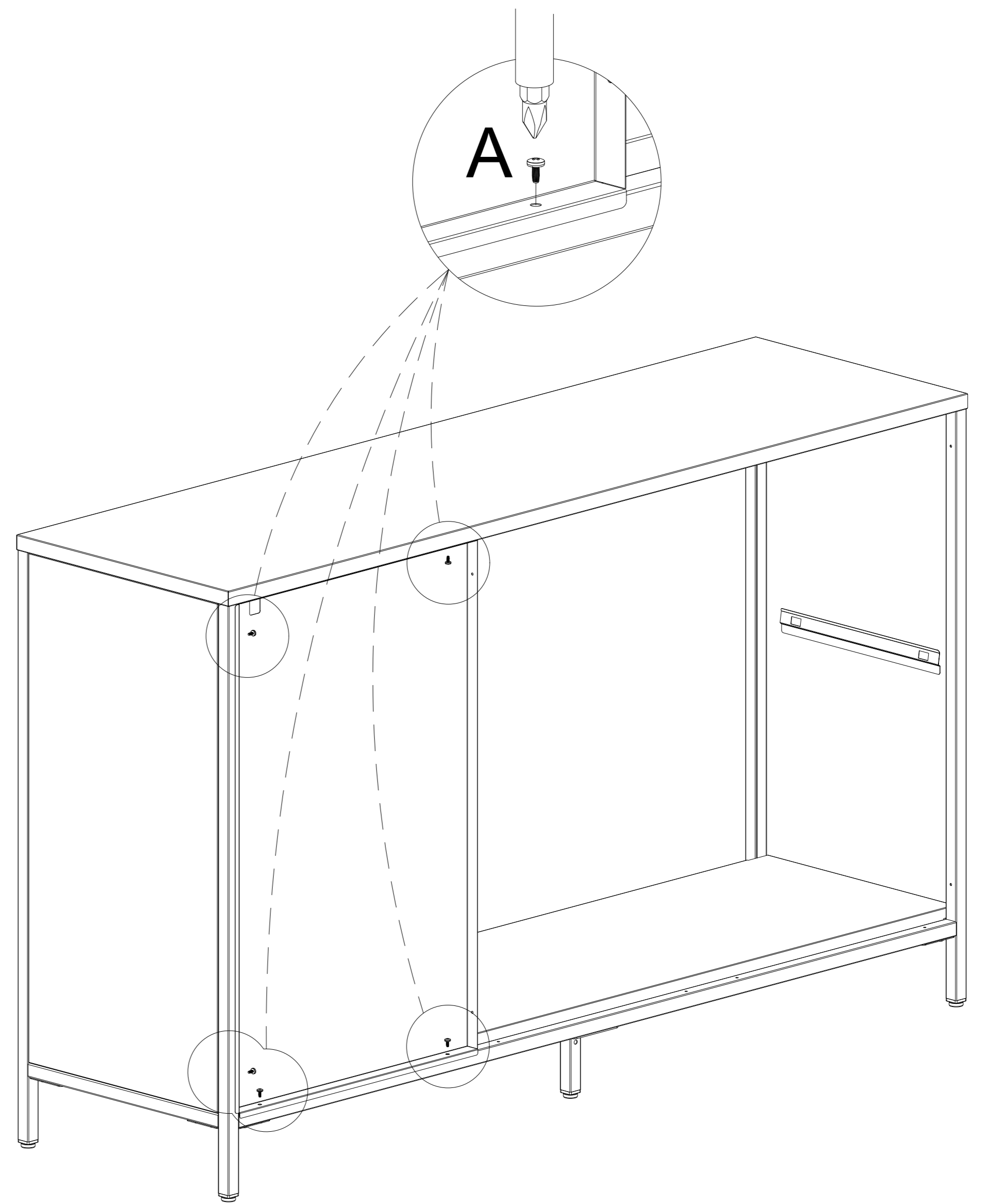
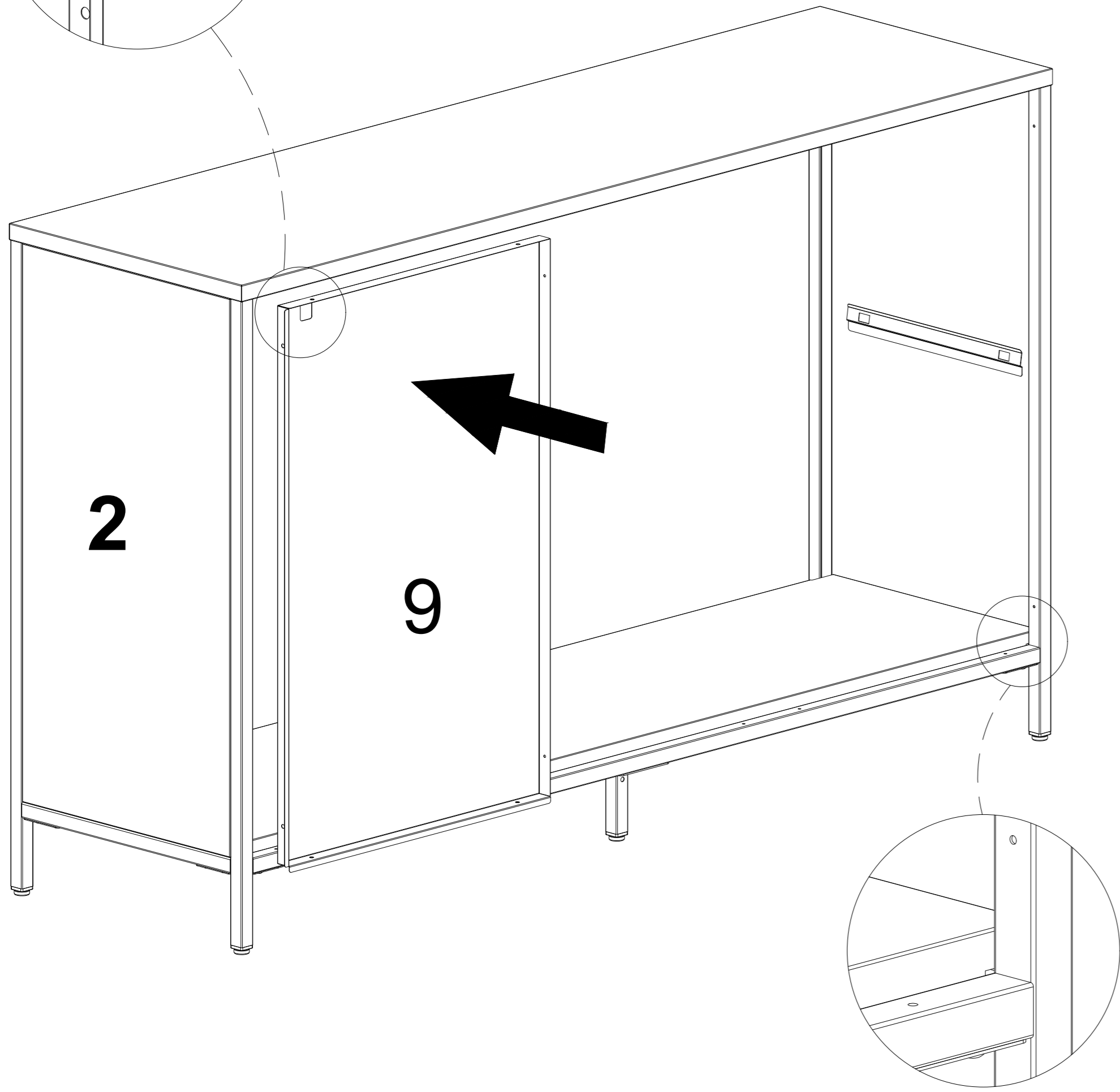
As shown in the figure, install A in place



9

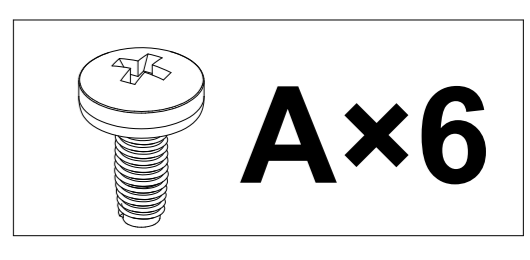
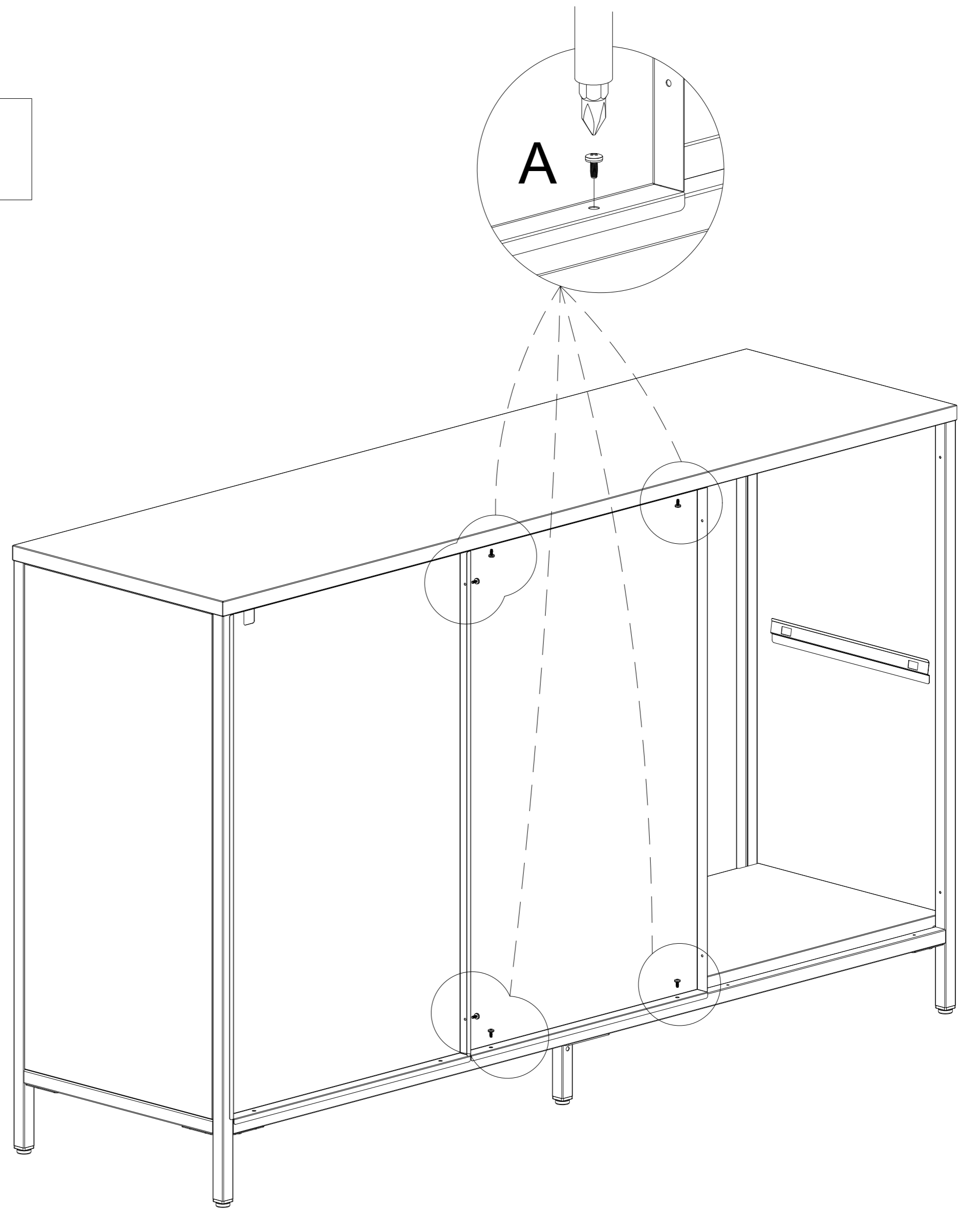
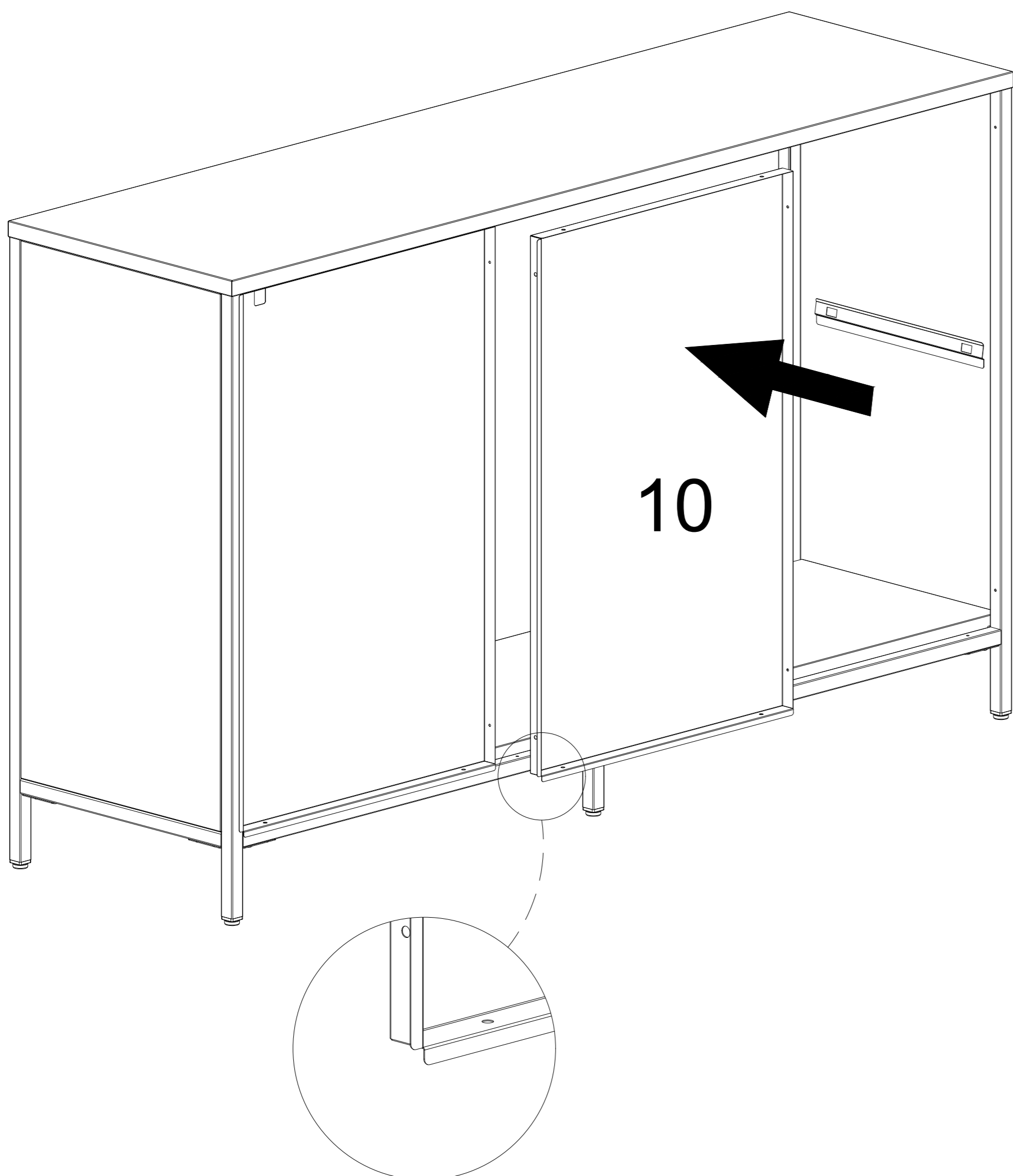


Rotate the cabinet according to the illustration and then proceed with assembly.



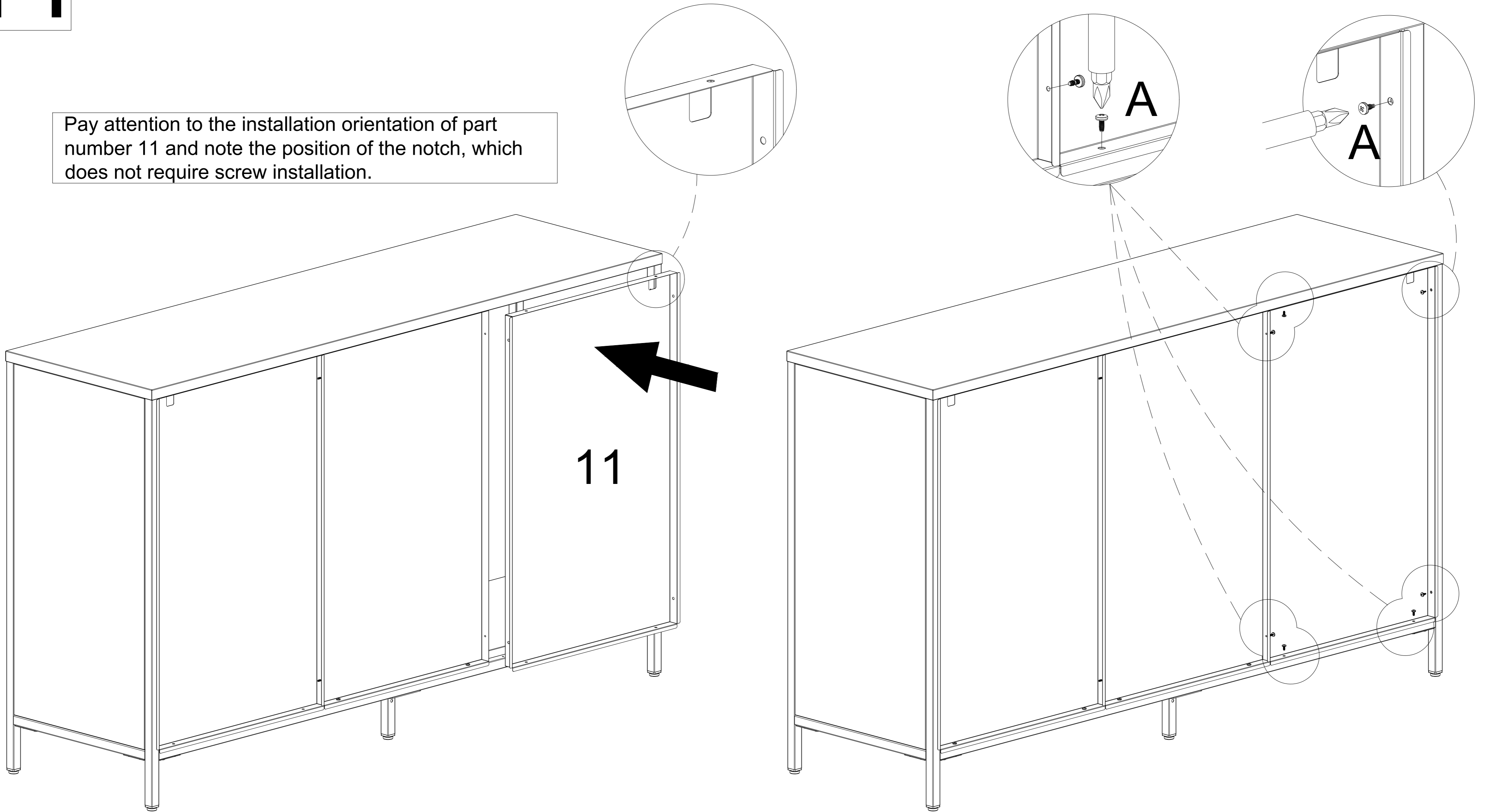
10

Pay attention to the installation orientation of part number 10.

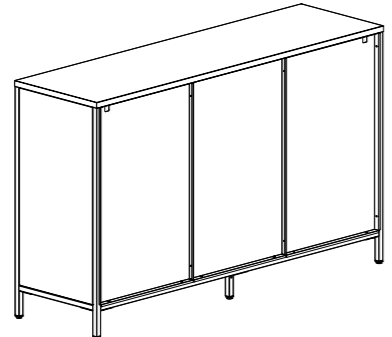
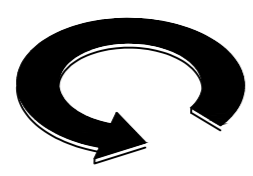


11

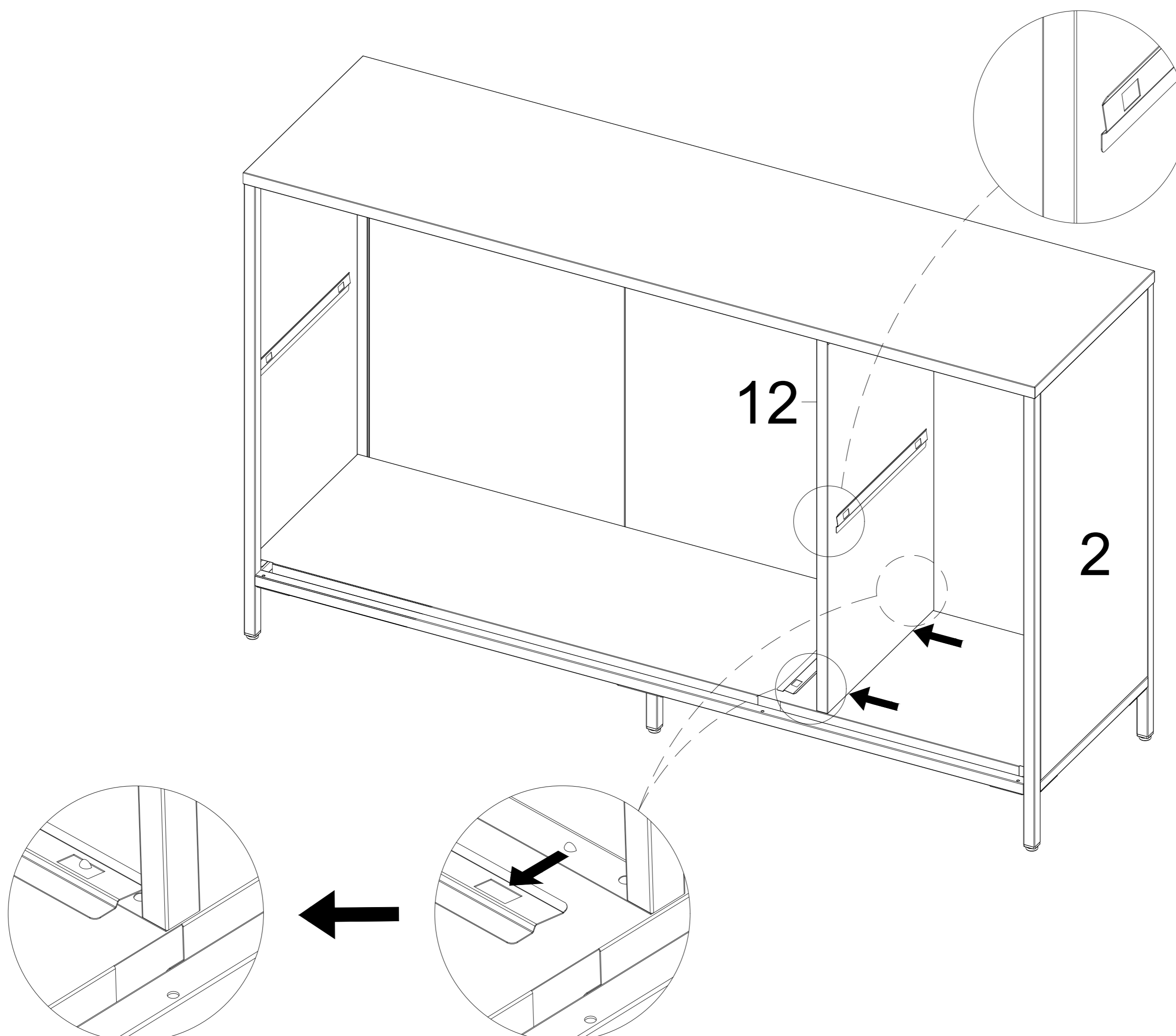
Pay attention to the installation orientation of part number 11 and note the position of the notch, which does not require screw installation.



12

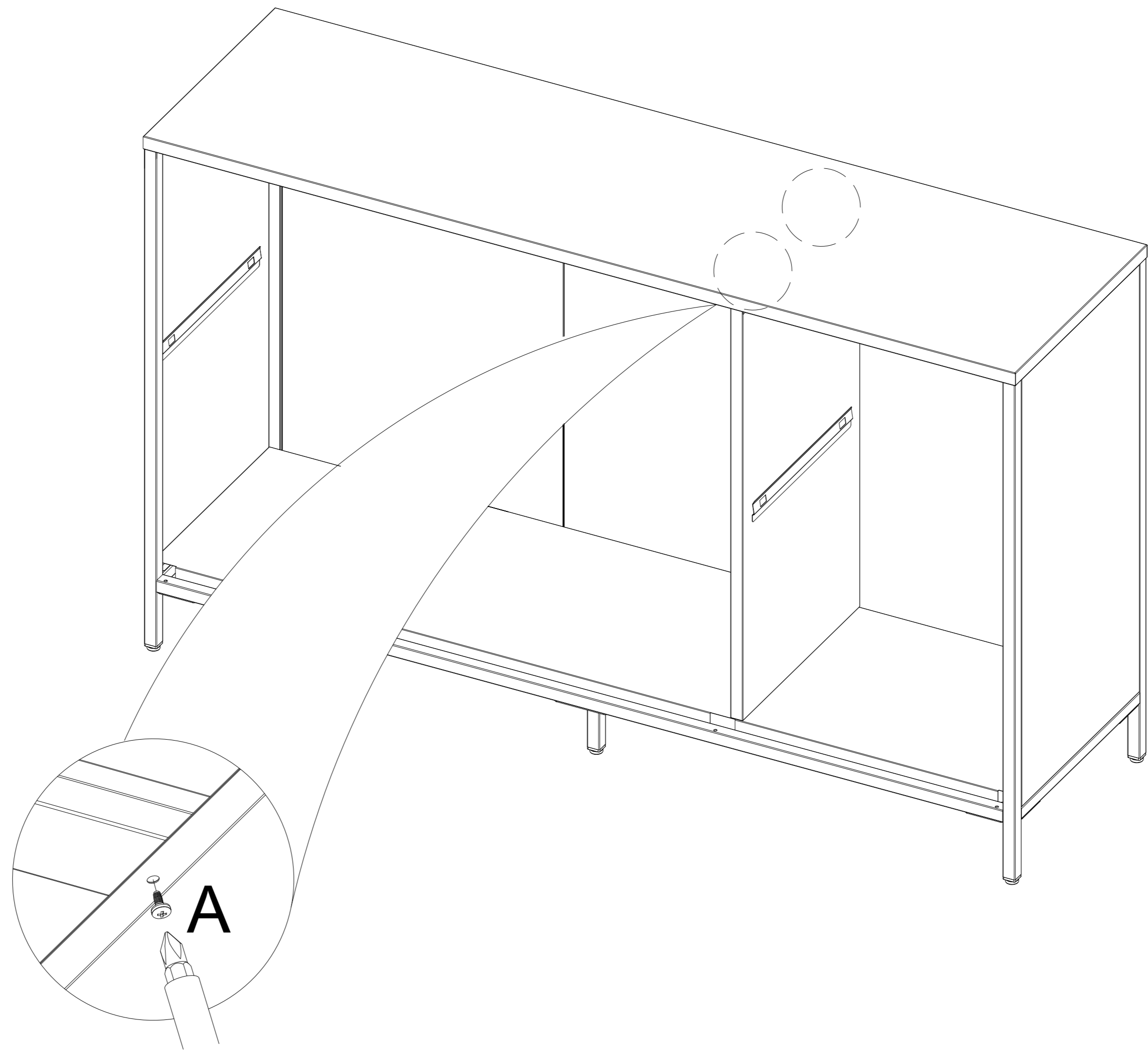


When installing part number 12, apply force and tap on the indicated arrow position until a clicking sound is heard, indicating the installation is complete.

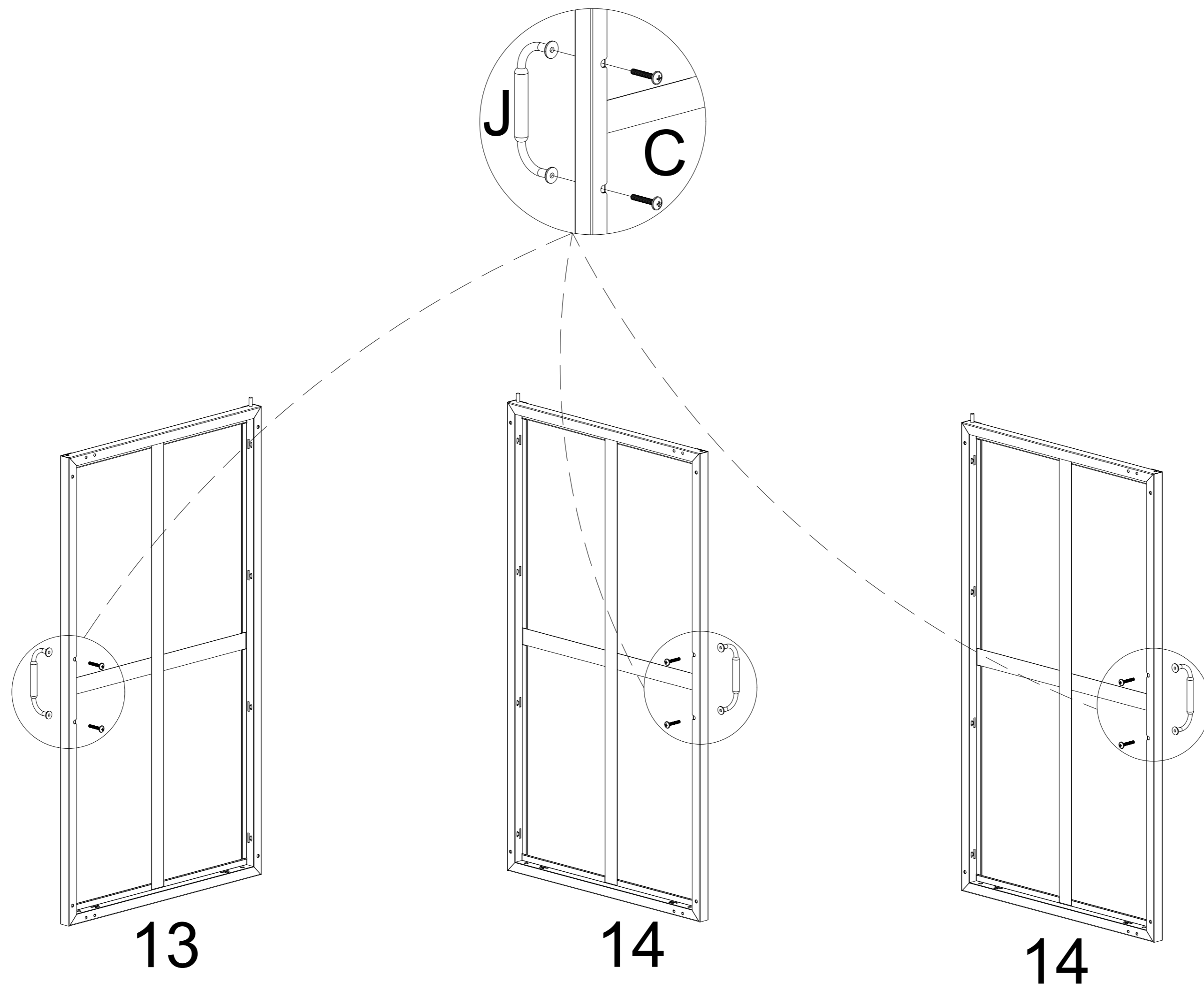


13

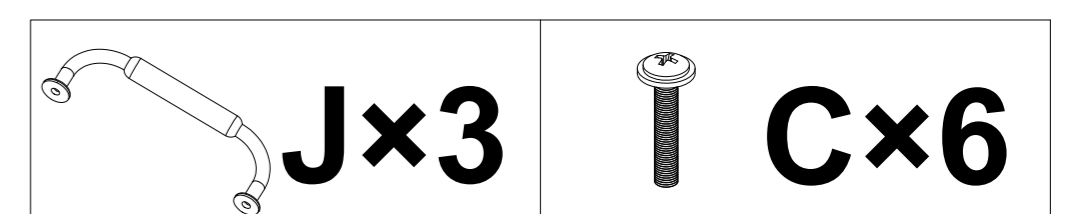
Install the top screws of part number 12.



14

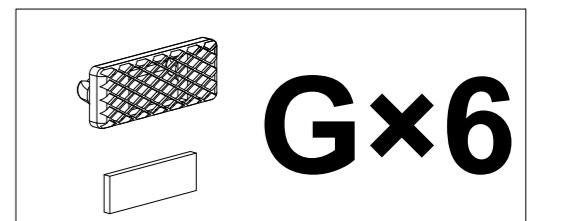
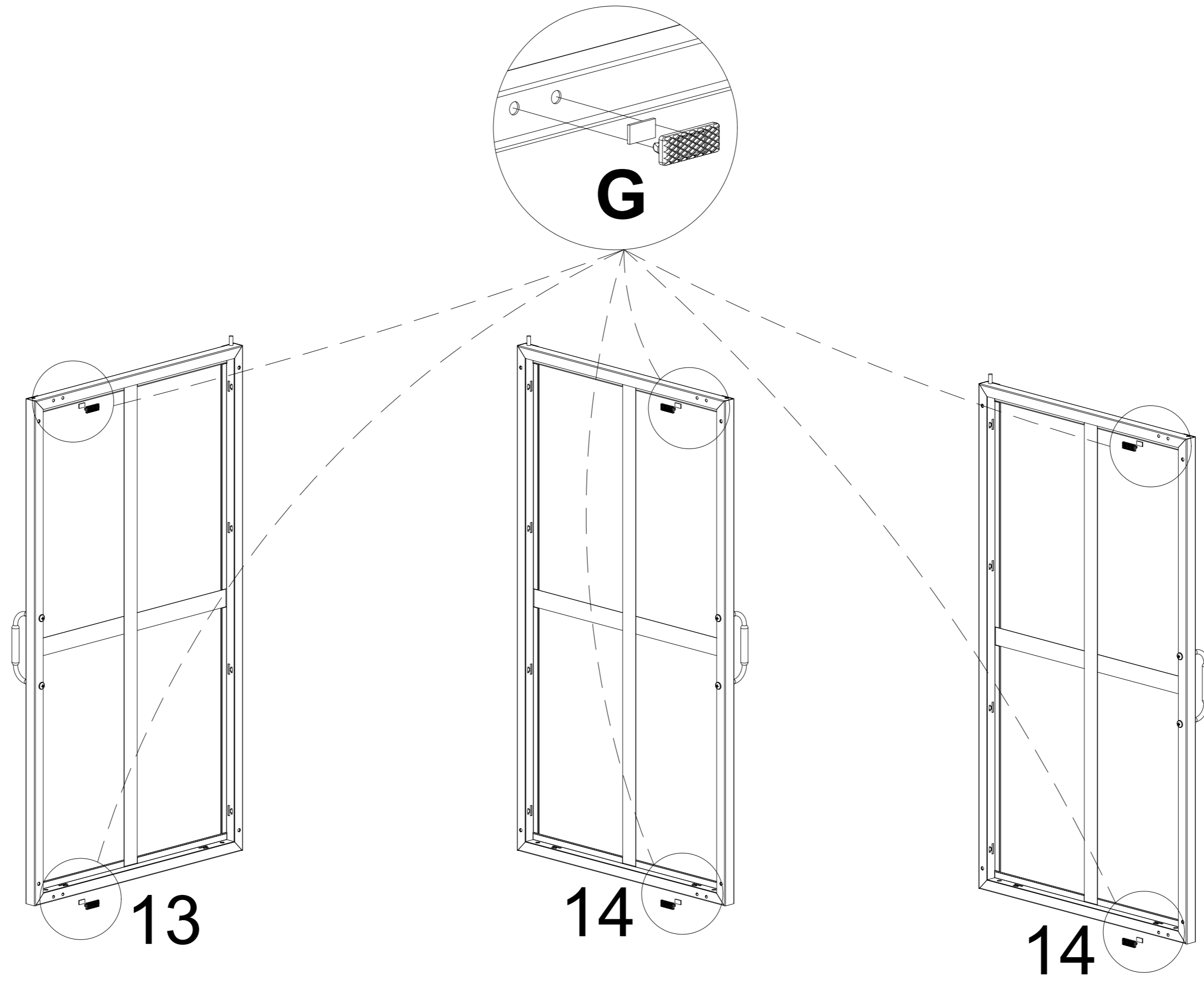


Install the handle in place according to the diagram.



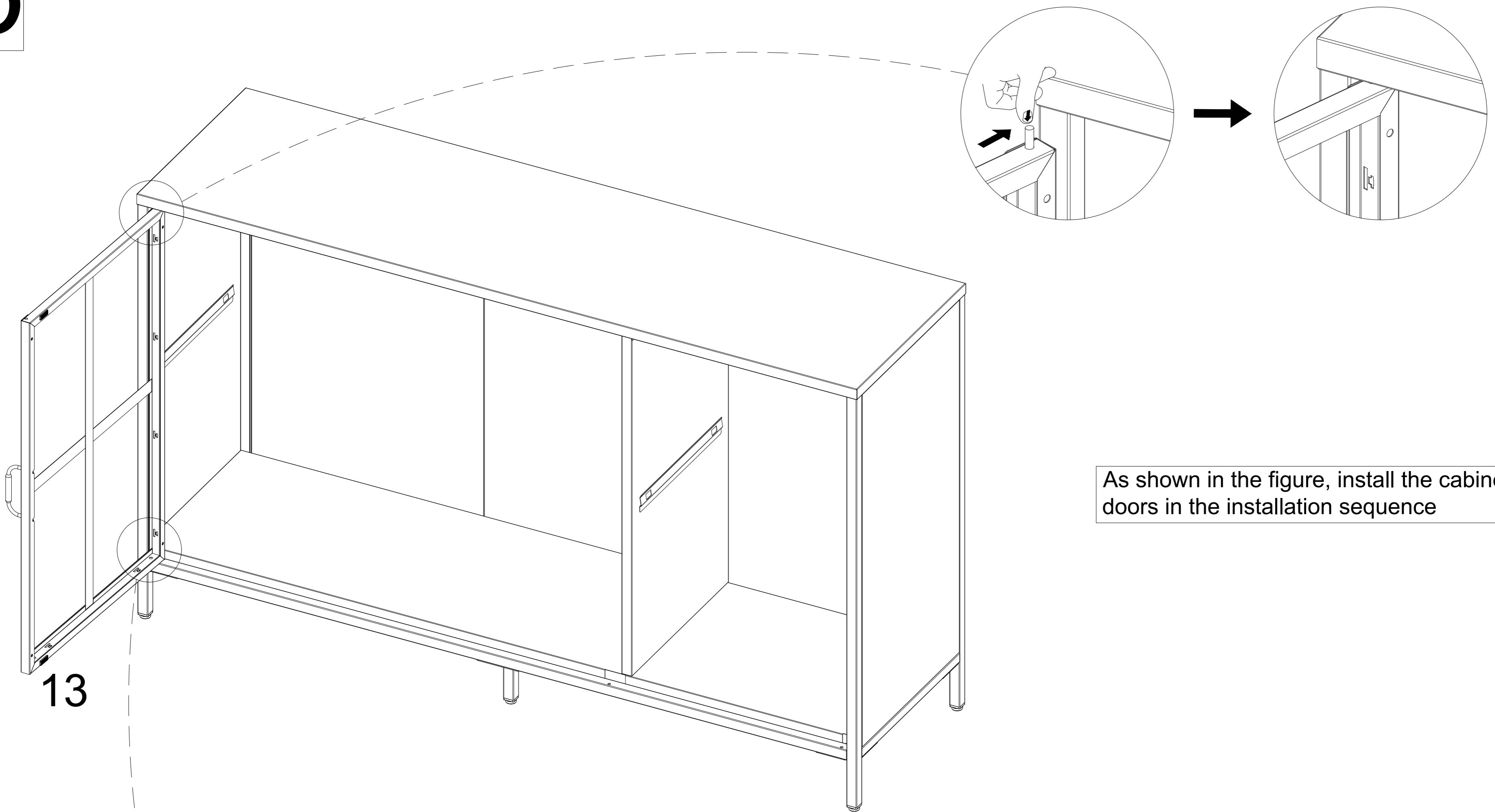
15

One G accessory consists of a magnet and a buckle.



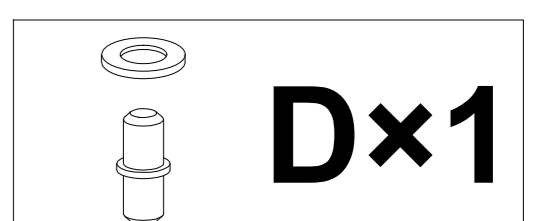
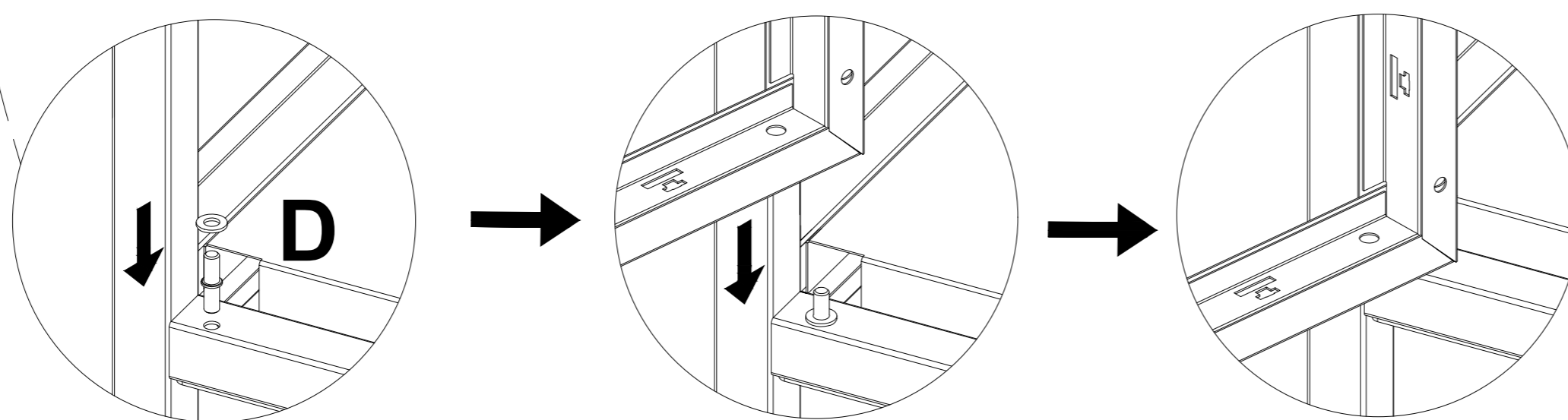
16

STEP 2



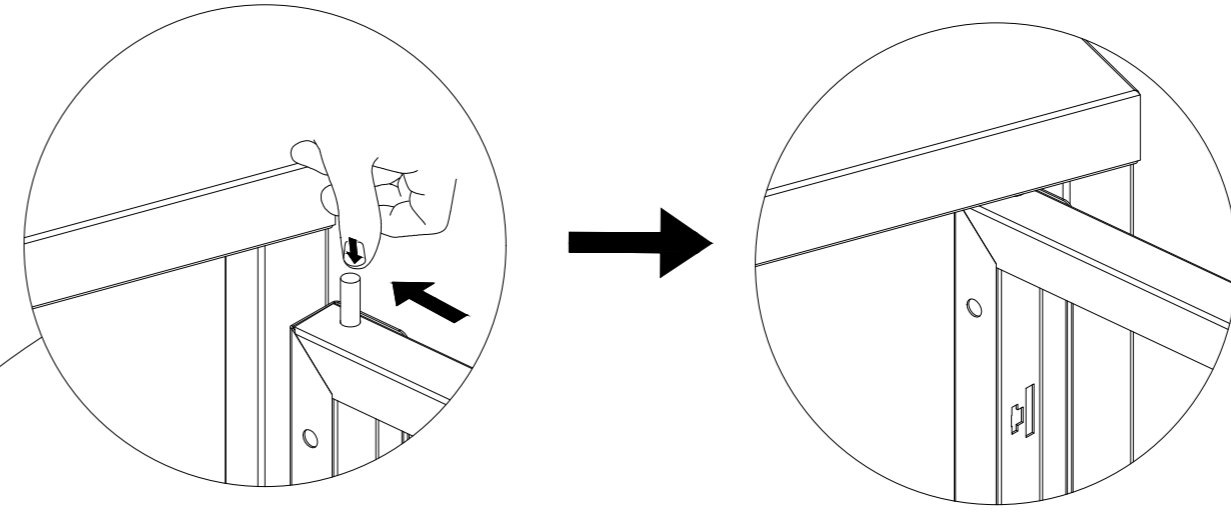
As shown in the figure, install the cabinet doors in the installation sequence

STEP 1

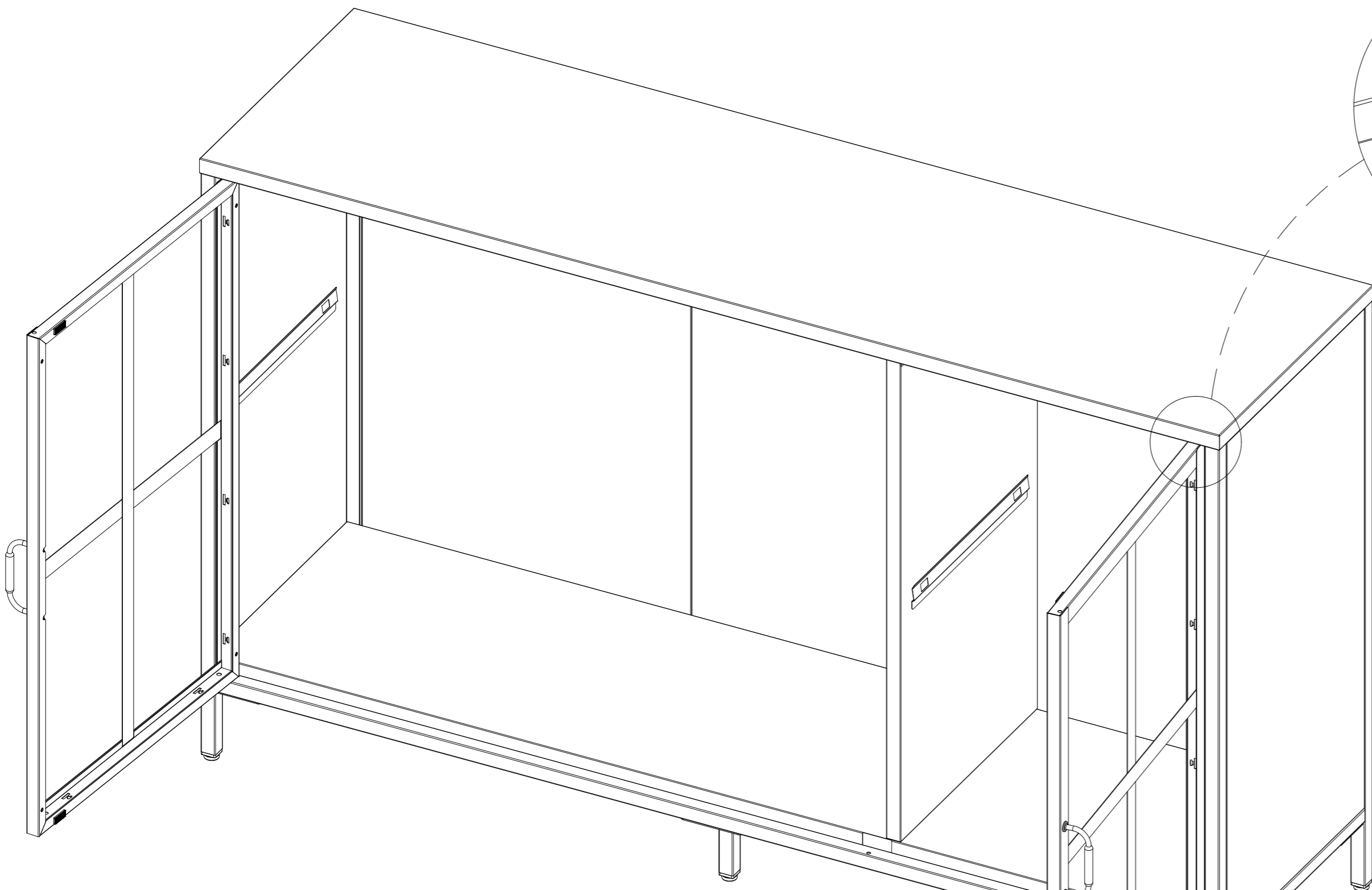


17

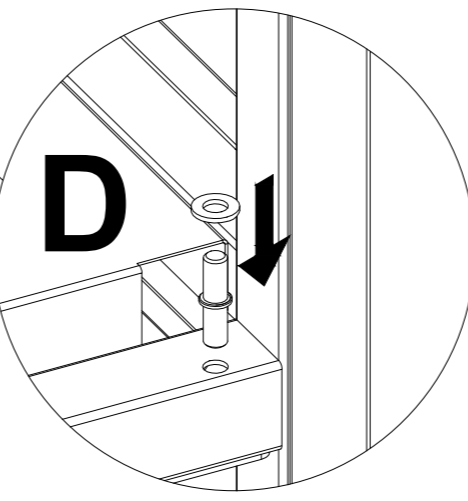
STEP 2



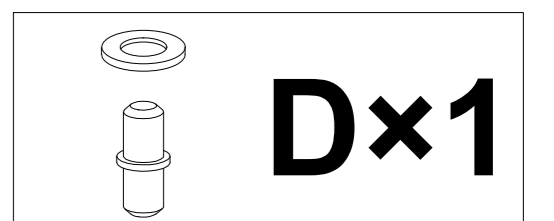
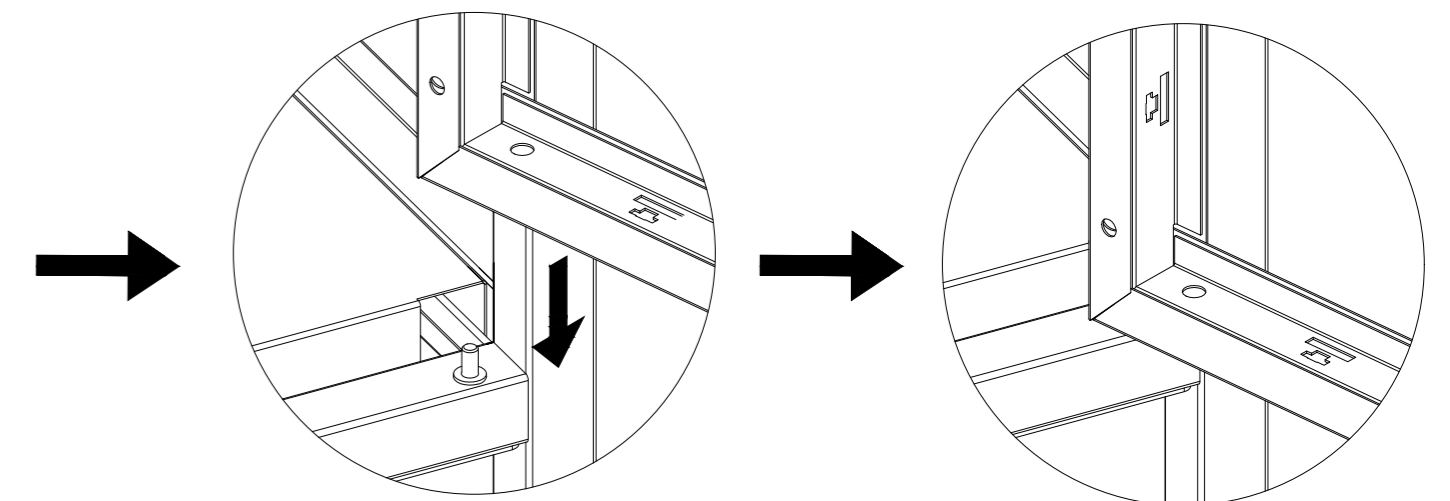
As shown in the figure, install the cabinet doors in the installation sequence



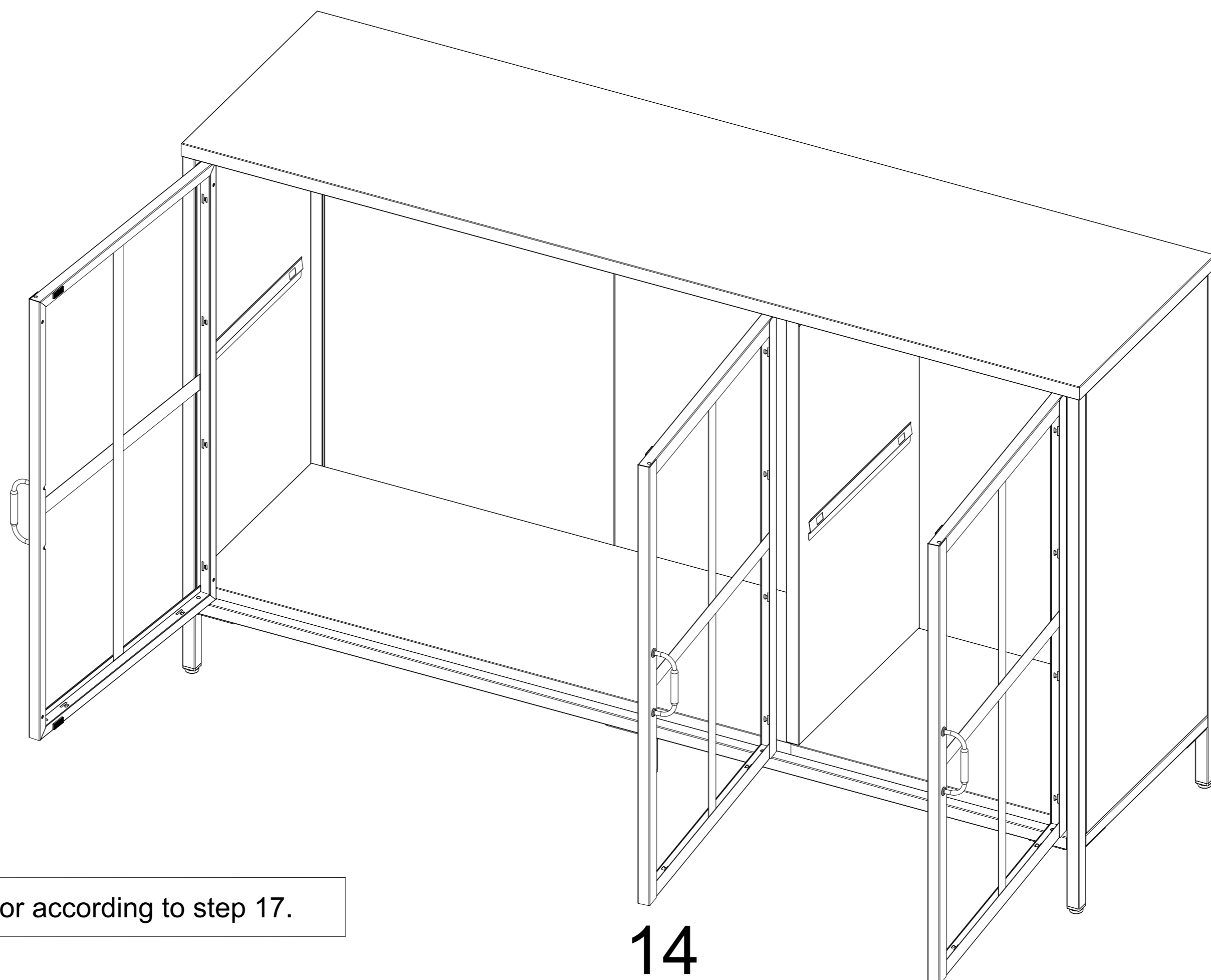
14



STEP 1



18



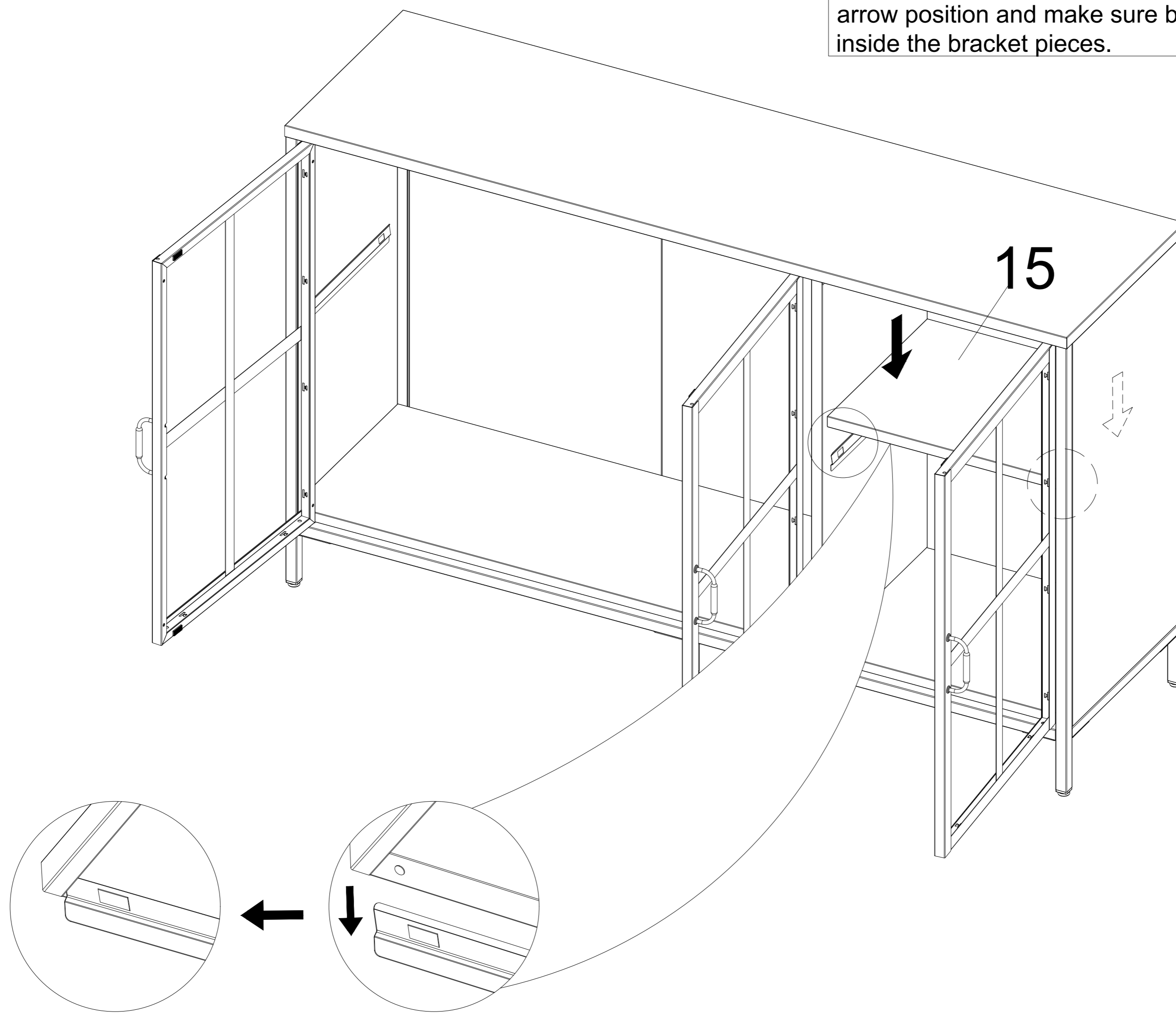
14

Install the remaining door according to step 17.



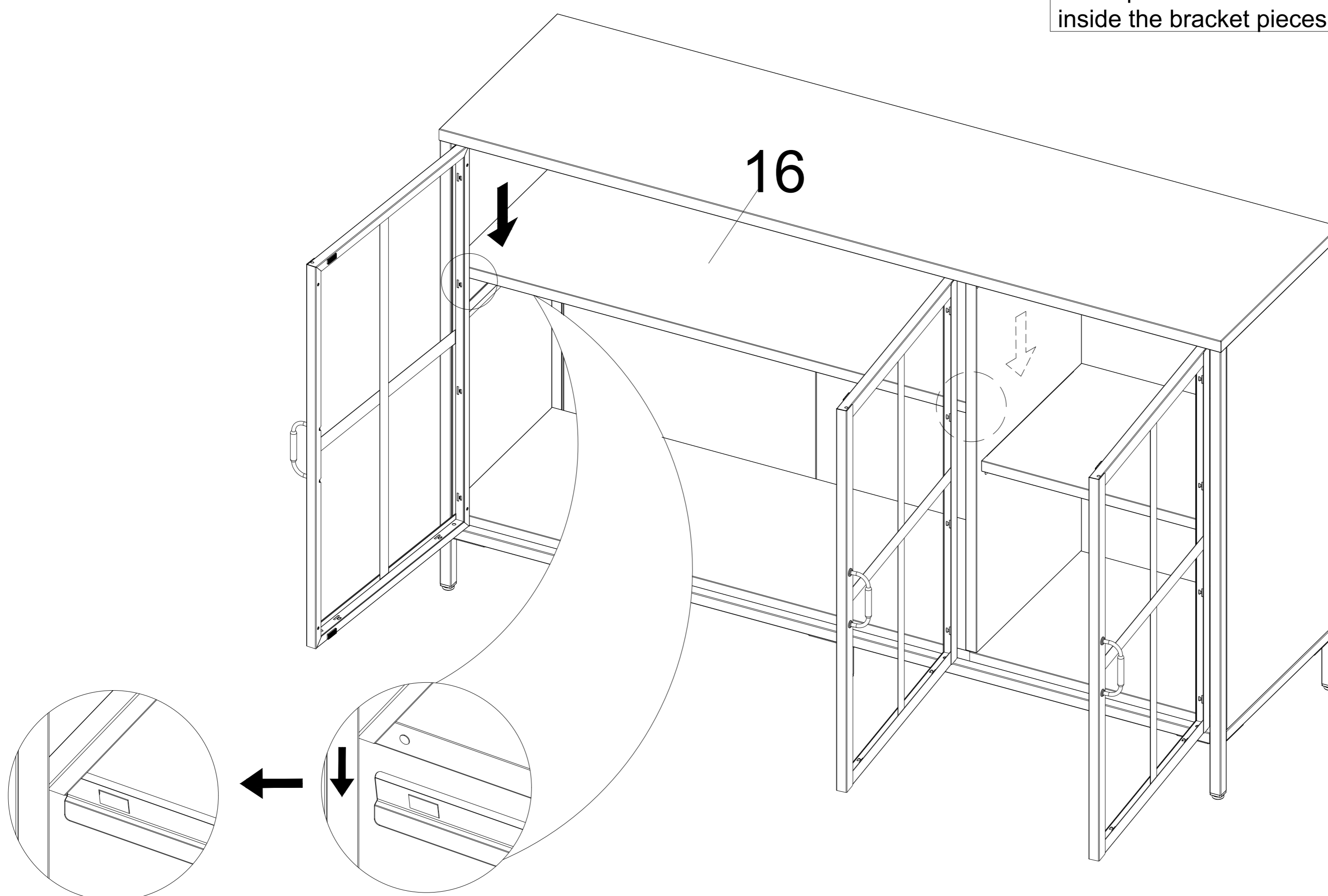
19

When installing part number 15, tap on the indicated arrow position and make sure both sides are locked inside the bracket pieces.

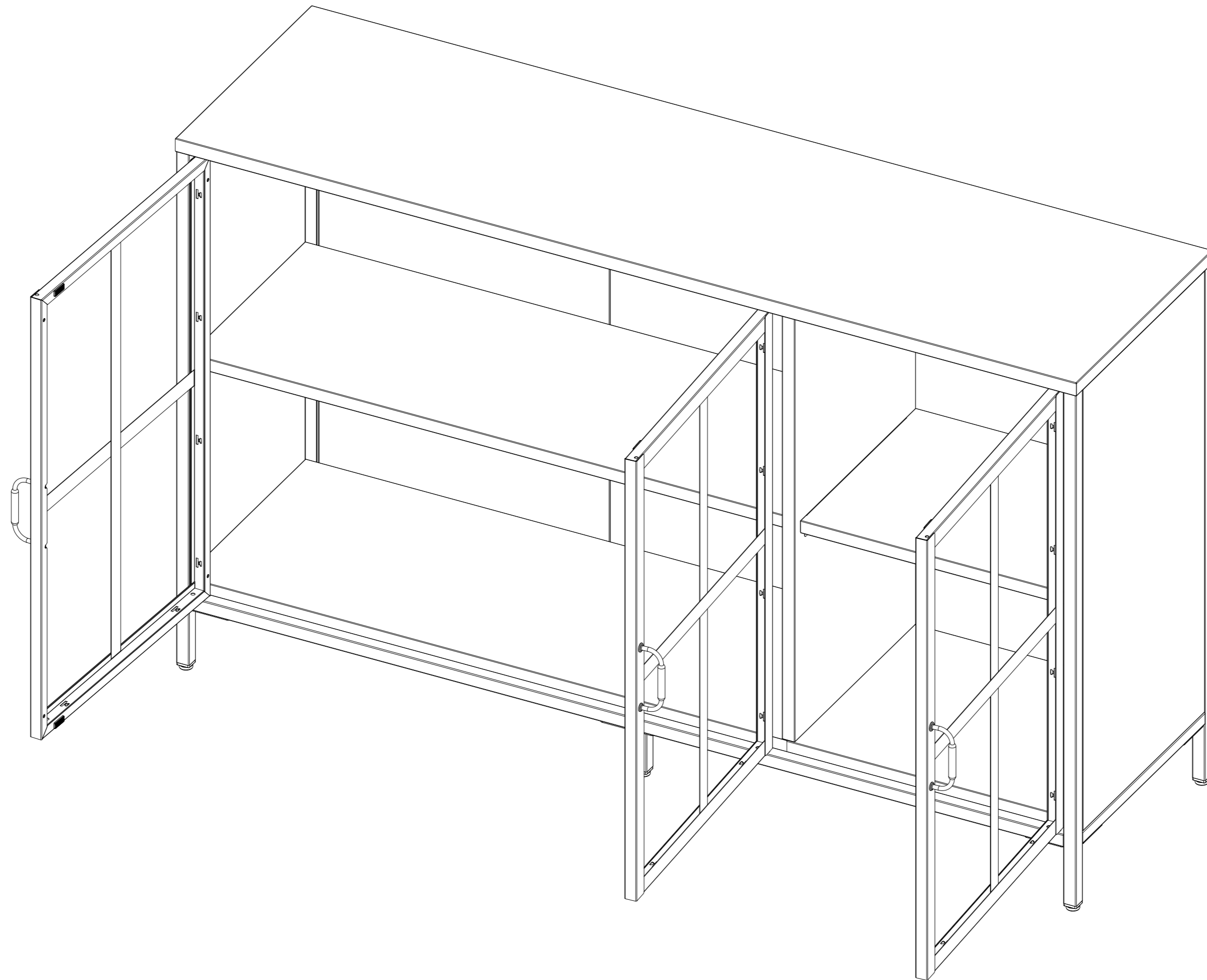


20

When installing part number 16, tap on the indicated arrow position and make sure both sides are locked inside the bracket pieces.



21



22

If you need to fix the cabinet, please follow the installation steps. If not, please ignore it.

