

Coffee Table

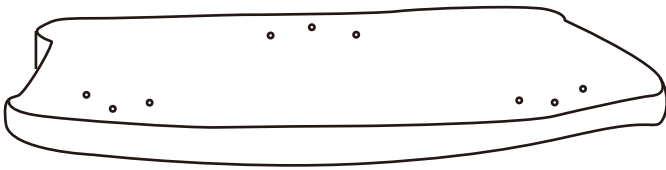
Package Content

Wood slab x 1 Metal leg x 3 Screw x 9

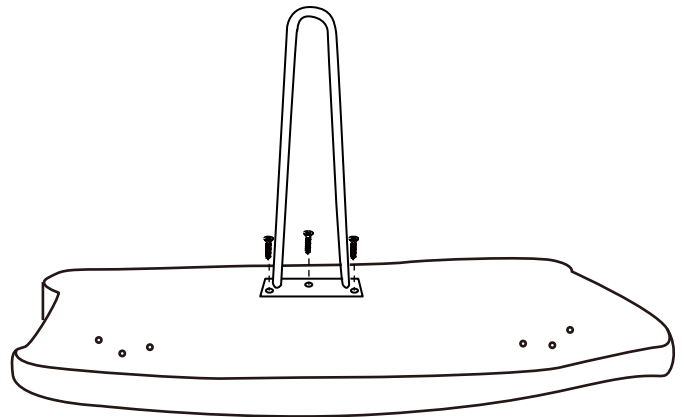
Tools Needed

Screwdriver

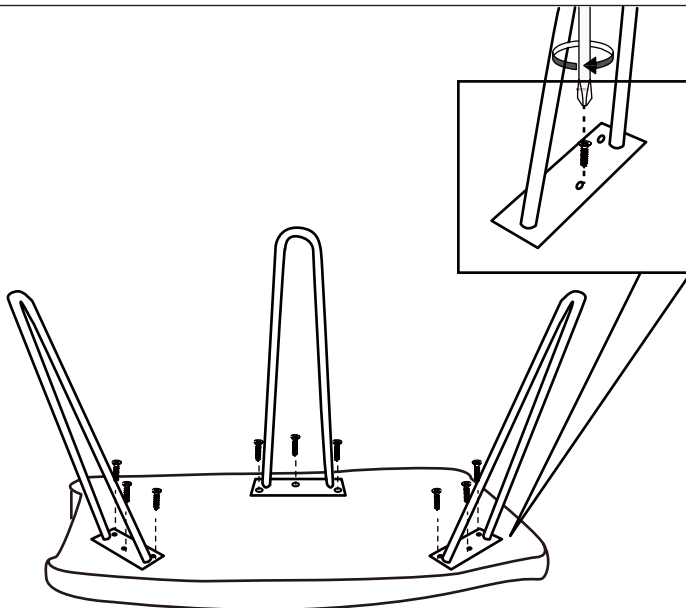
INSTRUCTION



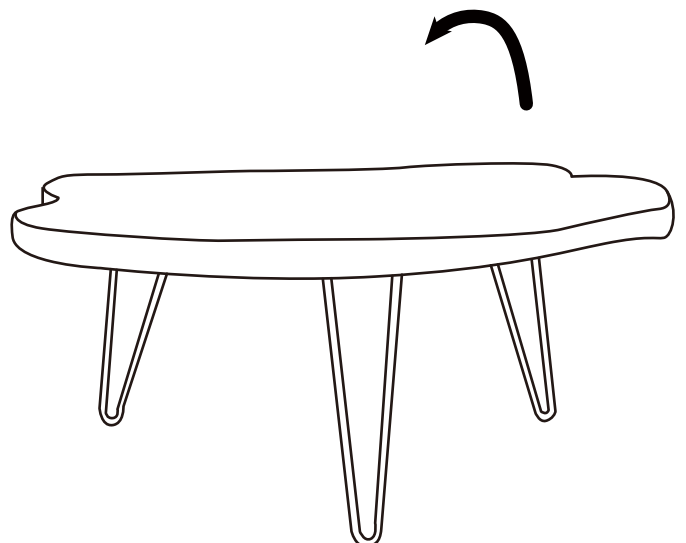
1. Turn your table top upside-down on a scratch free surface.



2. Line up one leg at a time to the holes in the mounting plate.



3. Attach the legs with the screws provided. Please note that the screws provided are the proper length for 1.5" to 2" thick.



4. Flip your completed table over and enjoy!

DISCLAIMER: Install our shelf and shelving units according to instructions provided.

We are not responsible for injury or damage resulting from incorrect installation or use. Our products are for use only as shelves units and are not intended for any other purposes. For assistance with installation or missing parts, please contact us

* The emission of the chemicals listed in Prop 65 in this product has been tested to meet the standard of CARB ATCM.