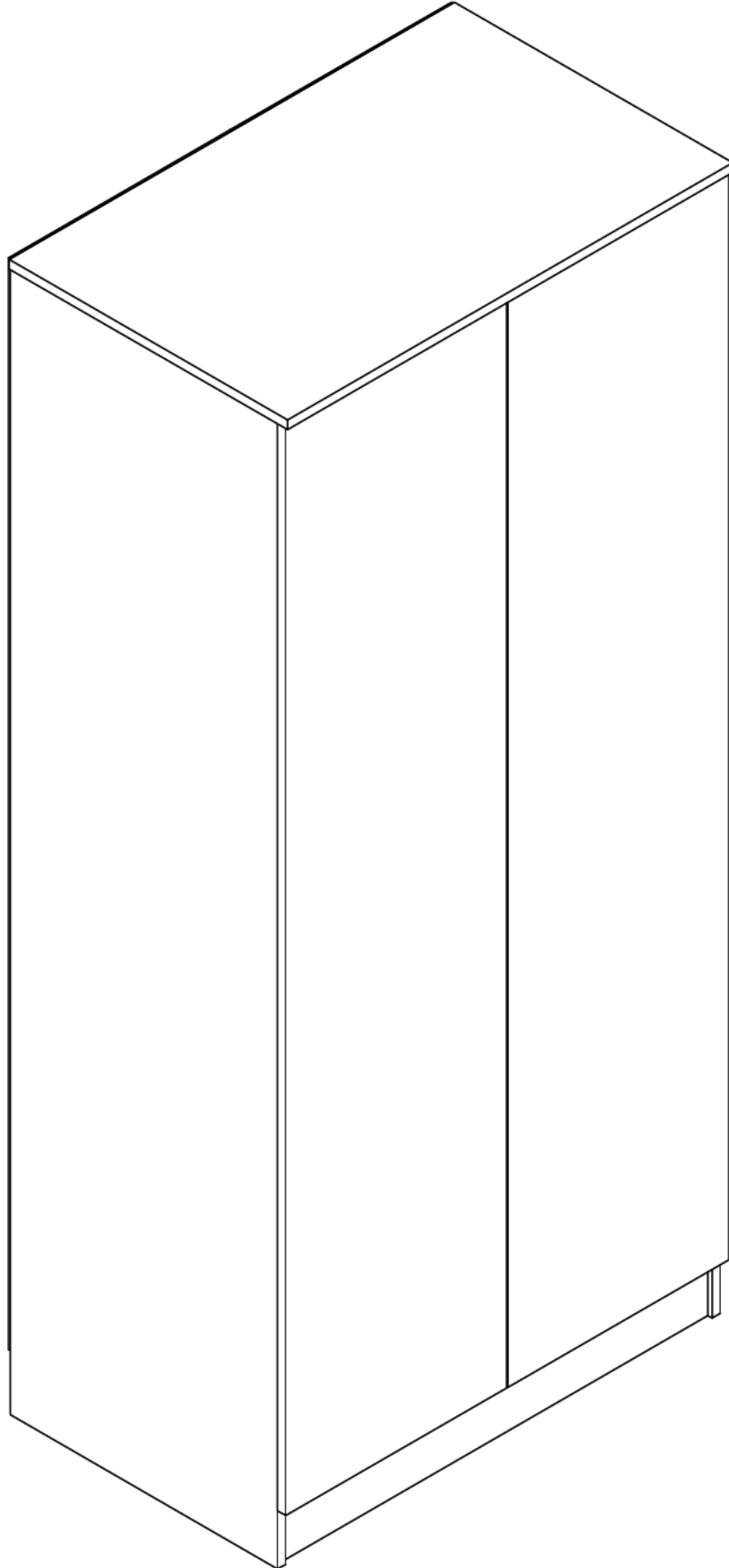


# 2 DOOR WARDROBE

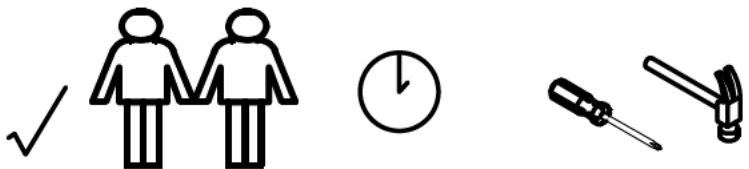
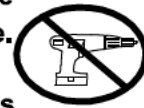
ASSEMBLY INSTRUCTION - Please Keep For Future Reference



# Safety and Care Advice

**IMPORTANT - Please Read This Instruction Carefully Before Assembly.**

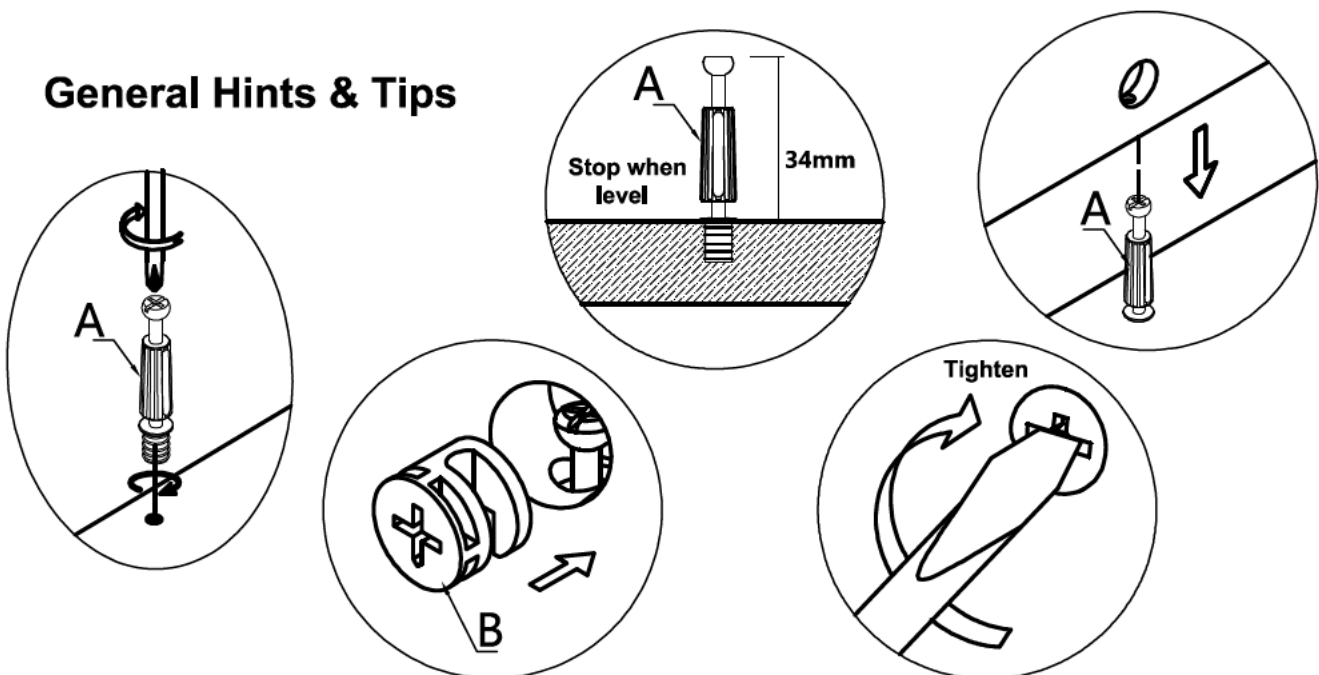
- Check you have all the components and tools listed on page 3.
- Remove all settings from the plastic bags and separate them into their groups.
- Keep children and animals away from the work area, small parts could choke if swallowed.
- Make sure you have enough space to layout the parts before assembly.
- Do not stand or put weight on the product, this could cause damage.
- Assemble the item as close to it's intended position (in the same room) as possible.
- Assemble on a soft level surface to avoid damaging the unit.
- Parts of the assembly will be easier with 2 people.
- Do not use power drill/drivers for assembly, or the unit may be damaged.
- Dispose of all packaging carefully and responsibly.



## CARE and MAINTENANCE

- Only clean using a damp cloth and mild detergent, do not use bleach or abrasive cleaners.
- From time to time check that there are no loose screws on this unit.
- This product should not be discarded with household waste. Take to your local authority waste disposal center.

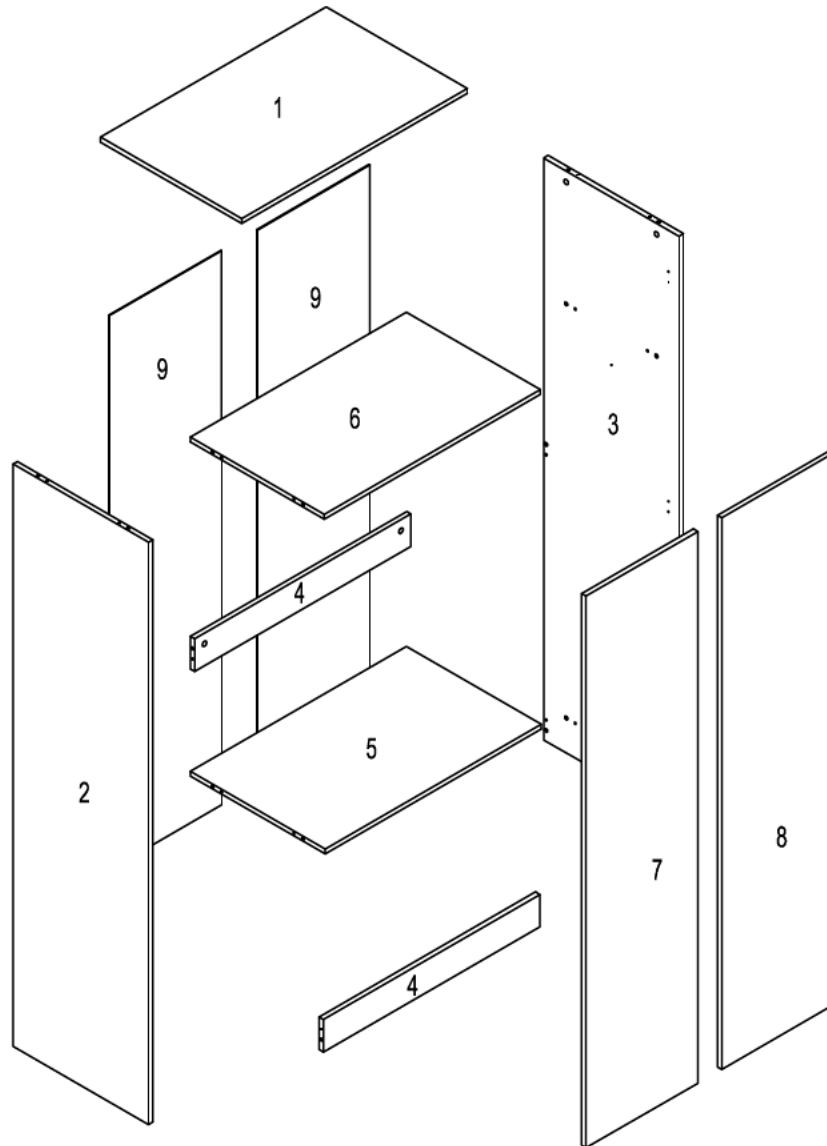
## General Hints & Tips

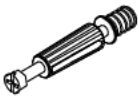

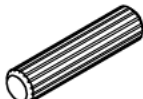

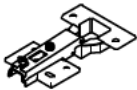


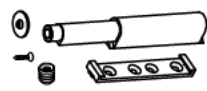

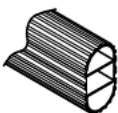
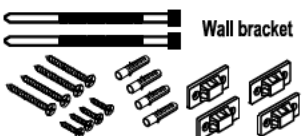


# Components and Tools

**IMPORTANT - Please Check If You Have All The Components and Tools.**

**Note: The quantities below are the correct amount to complete the assembly. In some cases more pieces may be supplied than are required.**

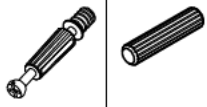


<b>A=16</b>  <b>Peg M6*34mm</b>	<b>B=16</b>  <b>Lock M15*12mm</b>	<b>C=16</b>  <b>Dowel M8*30mm</b>	<b>D=44</b>  <b>Screw M3.5*14mm</b>	<b>E=6</b>  <b>Full Overly Door Hinge</b>	<b>F=4</b>  <b>Plastic Feet</b>
<b>G=22</b>  <b>Pin</b>	<b>H=2</b>  <b>push-to-open mechanism</b>	<b>I=2</b>  <b>Clothes Holder</b>	<b>J=1</b>  <b>Clothes Bar 760mm</b>	<b>P=1</b>  <b>Wall bracket</b>	

# Assembly Instruction

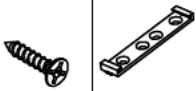
## Step 1

A=4 C=12

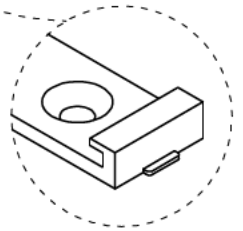
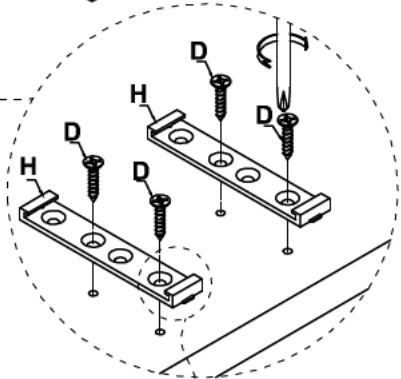
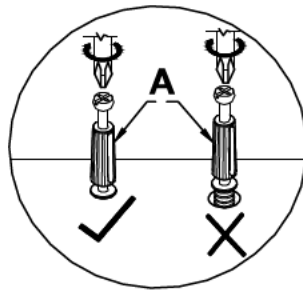
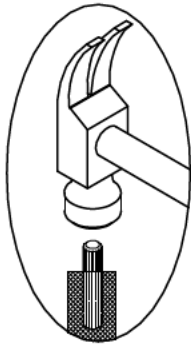
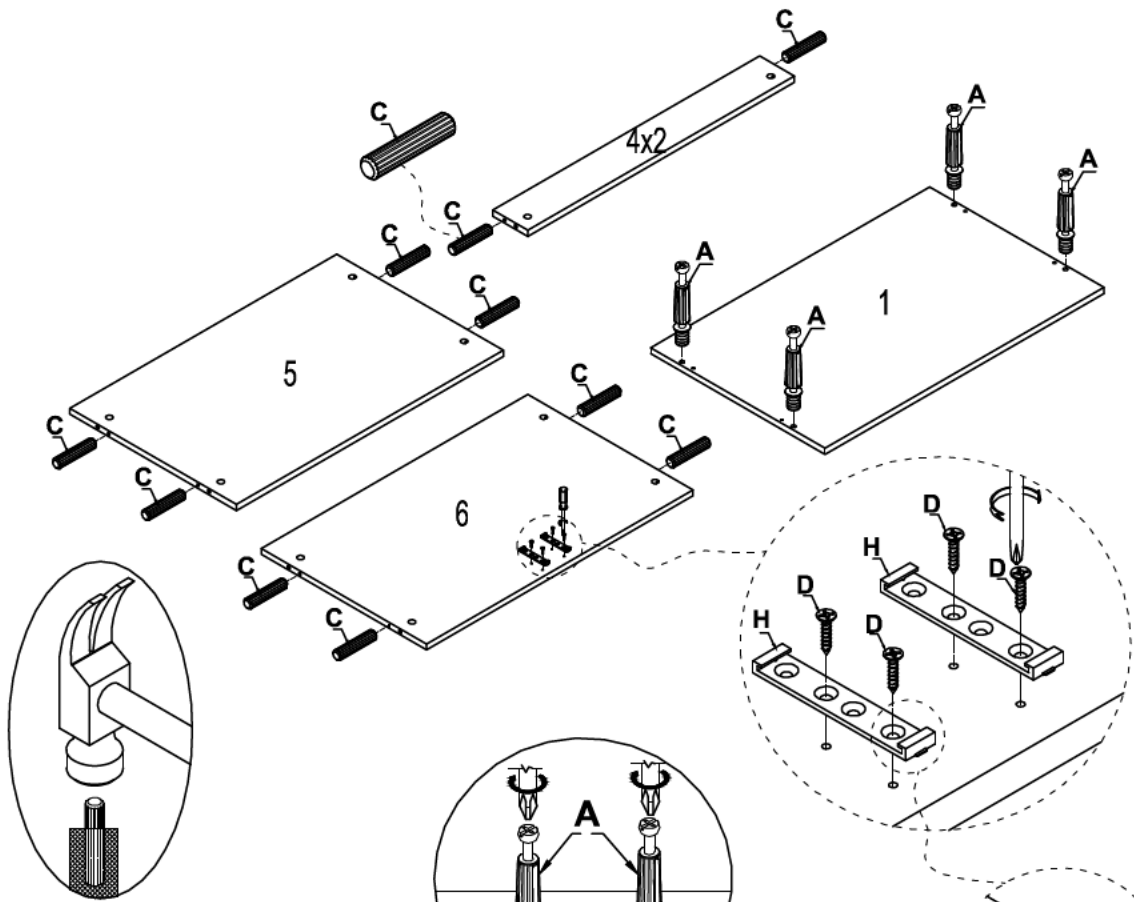


Peg Dowel

D=4 H=2



Screw M3.5\*14mm push-to-open mechanism



## Step 2

E=6 D=12

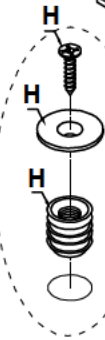
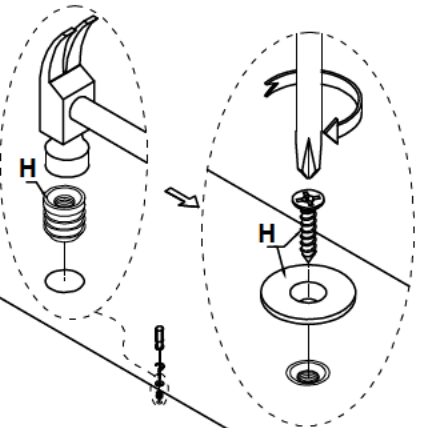
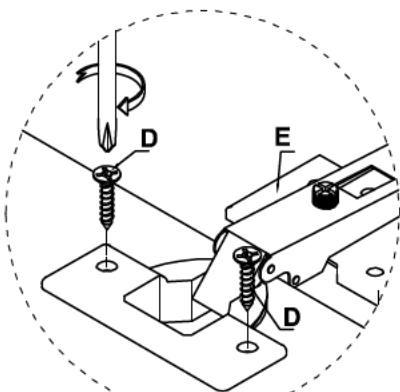
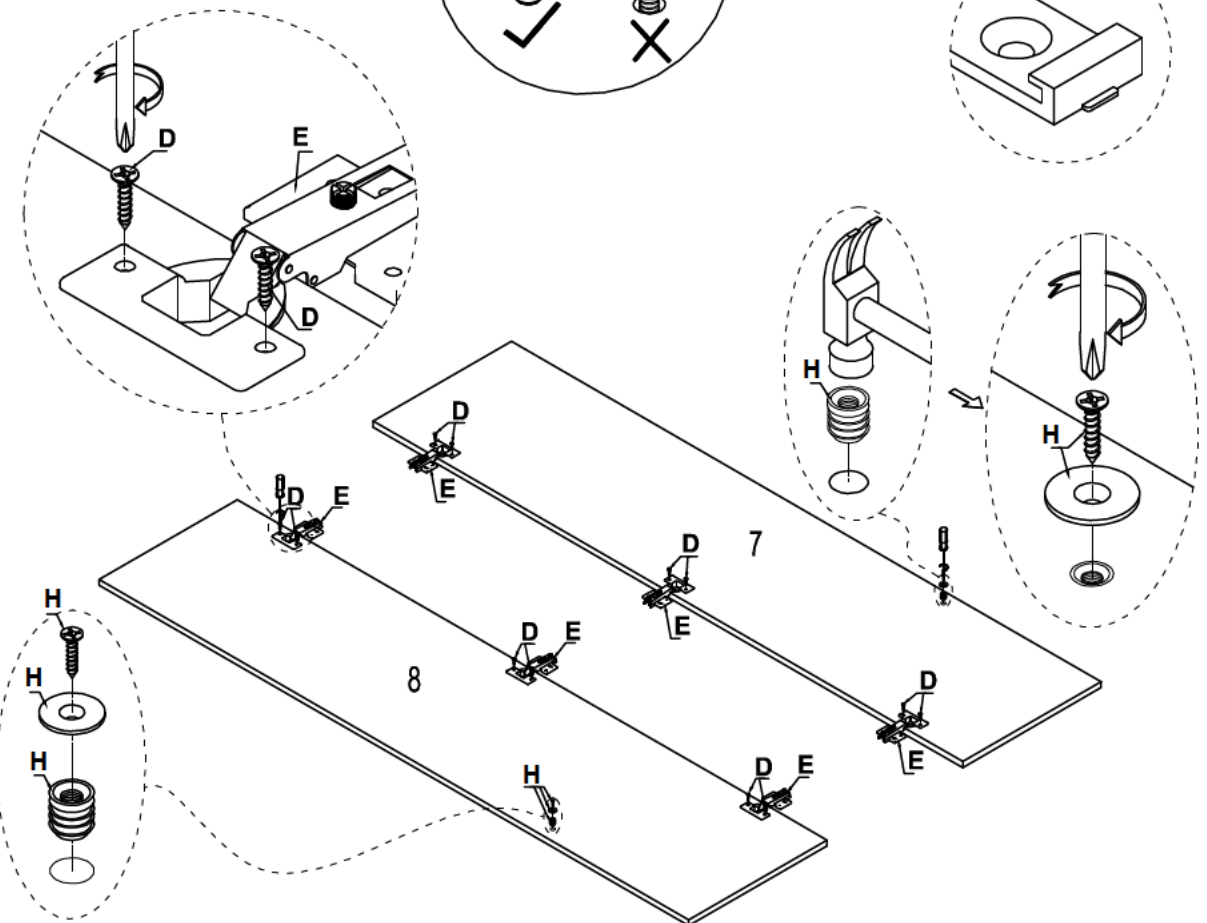


Full Overlay Door Hinge Screw M3.5\*14mm

H=2



push-to-open mechanism



# Assembly Instruction

## Step 3

A=12 C=4



Peg

Dowel

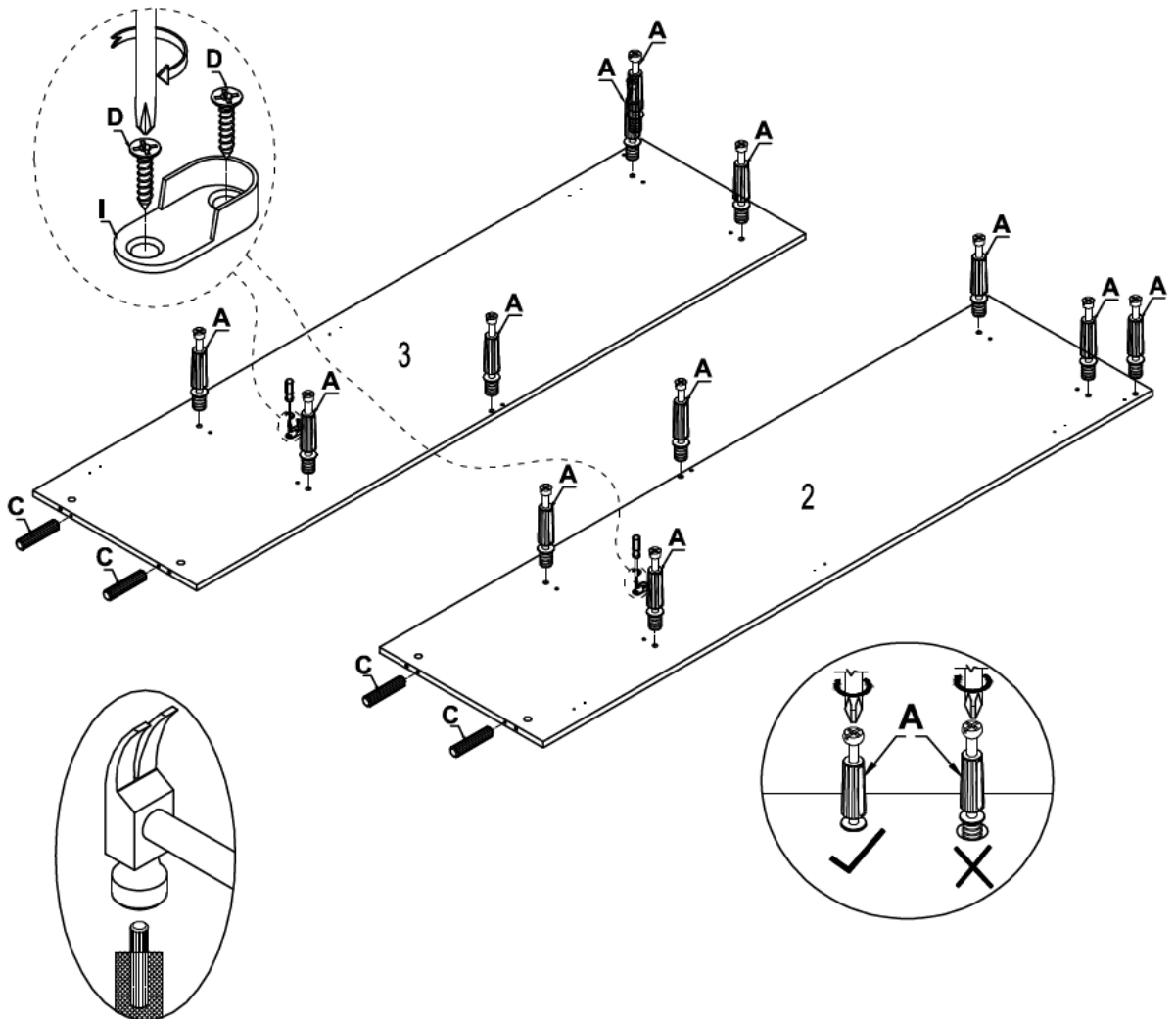
I=2

D=2



Clothes  
Holder

Screw  
M3.5\*14mm

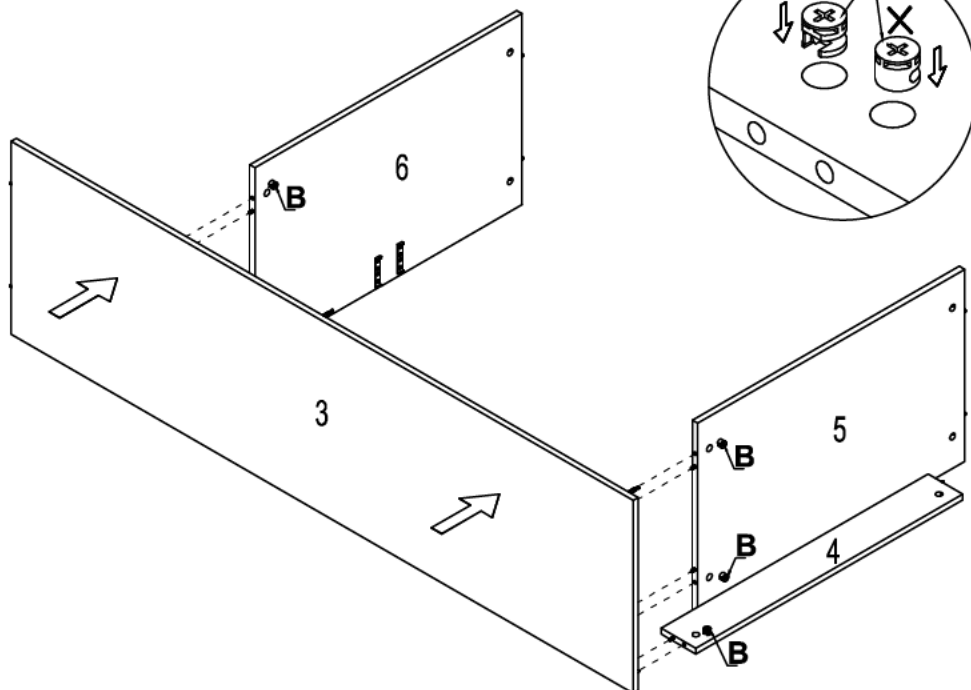


## Step 4

B=4



Lock



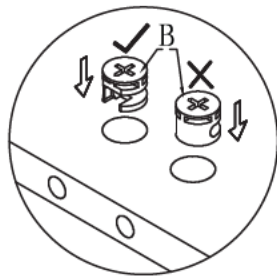
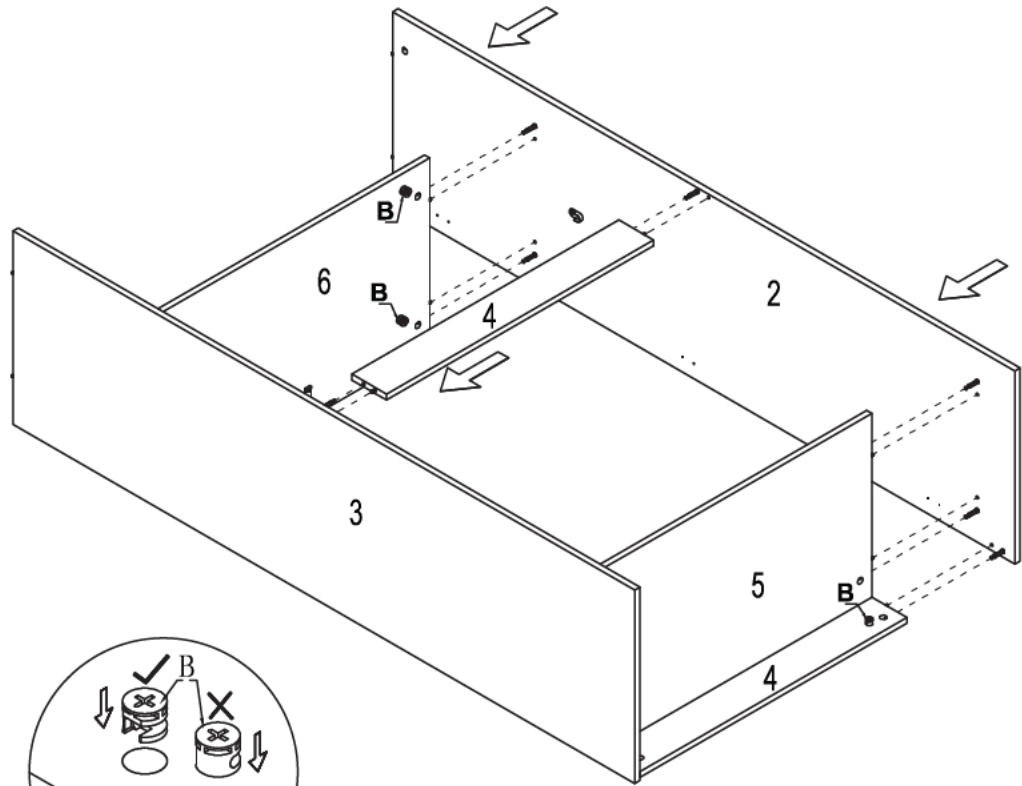
# Assembly Instruction

## Step 5

B=7



Lock



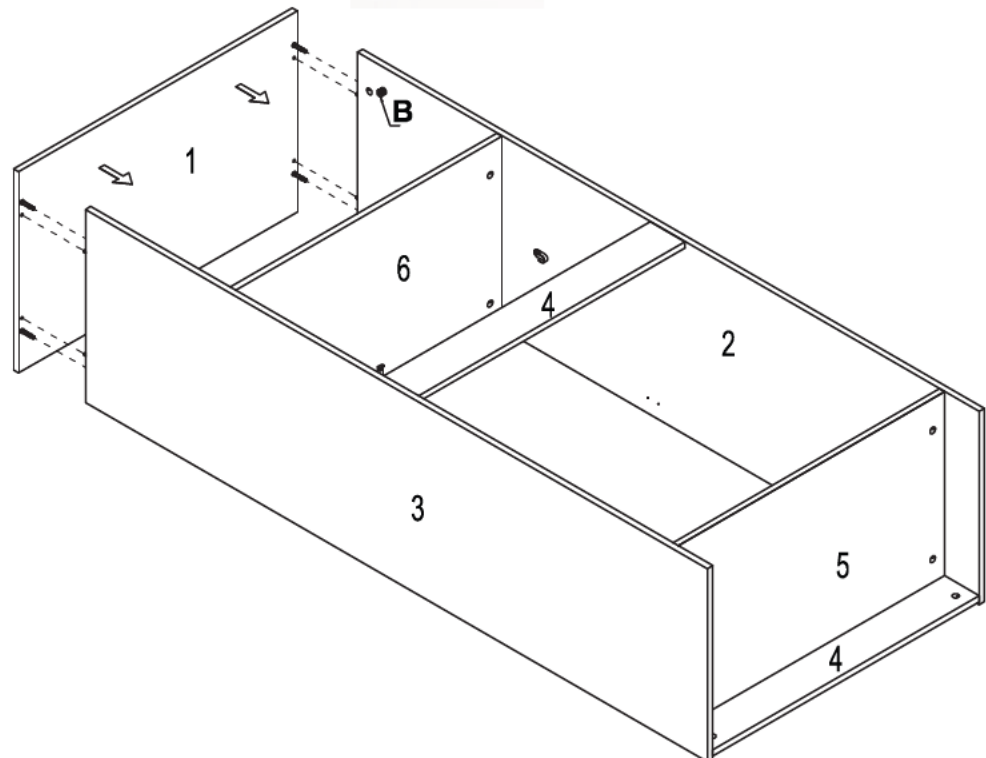
DO NOT LIFT THE  
WARDROBE UNTIL THE BACK  
HAS BEEN FITTED

## Step 6

B=4

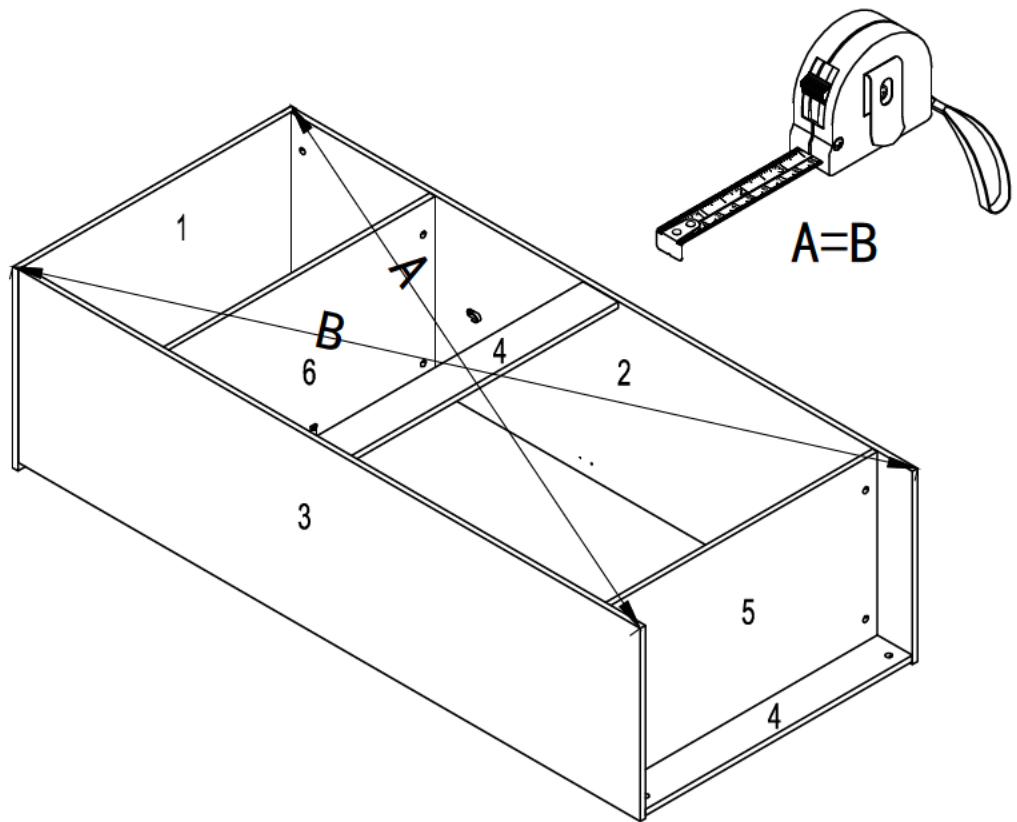


Lock



# Assembly Instruction

## Step 7



## Step 8

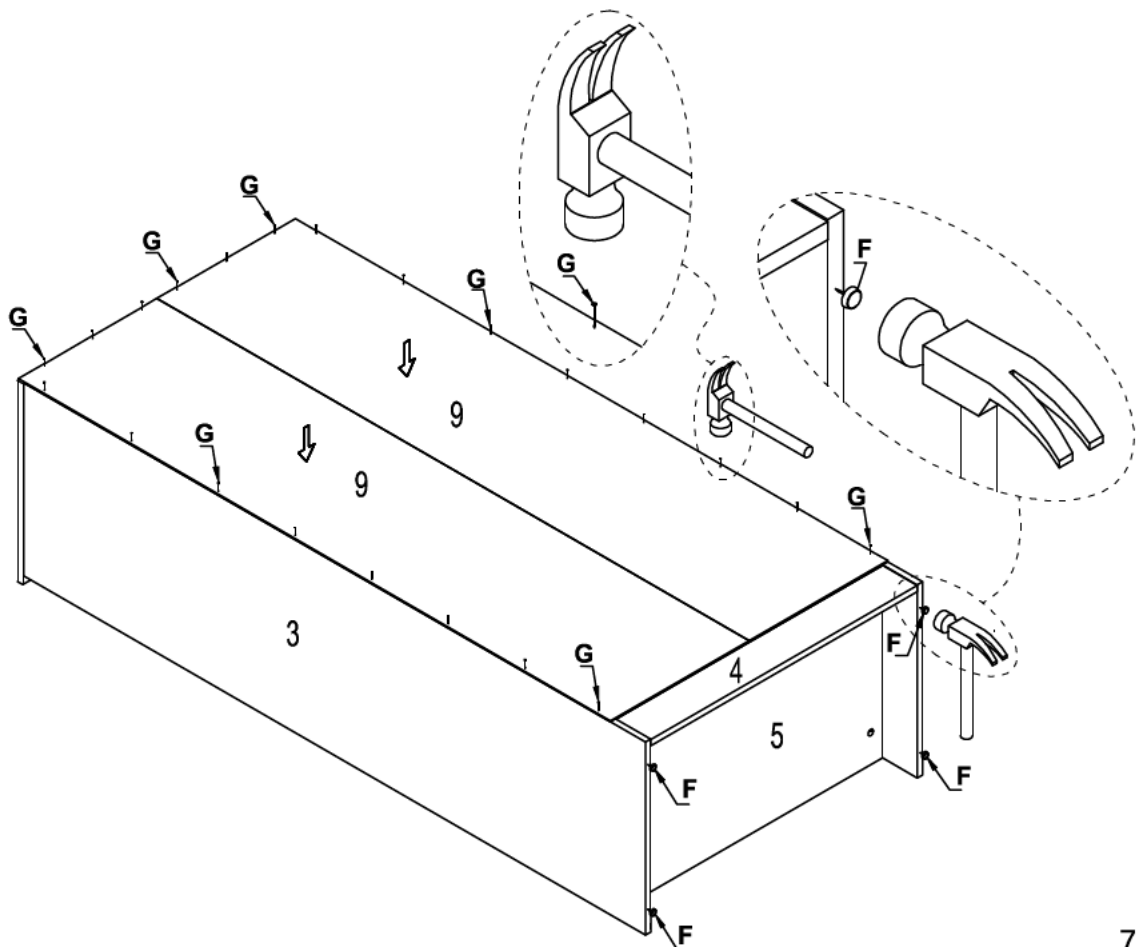
F=4

F=22



Plastic Feet

Pin

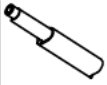


# Assembly Instruction

## Step 9

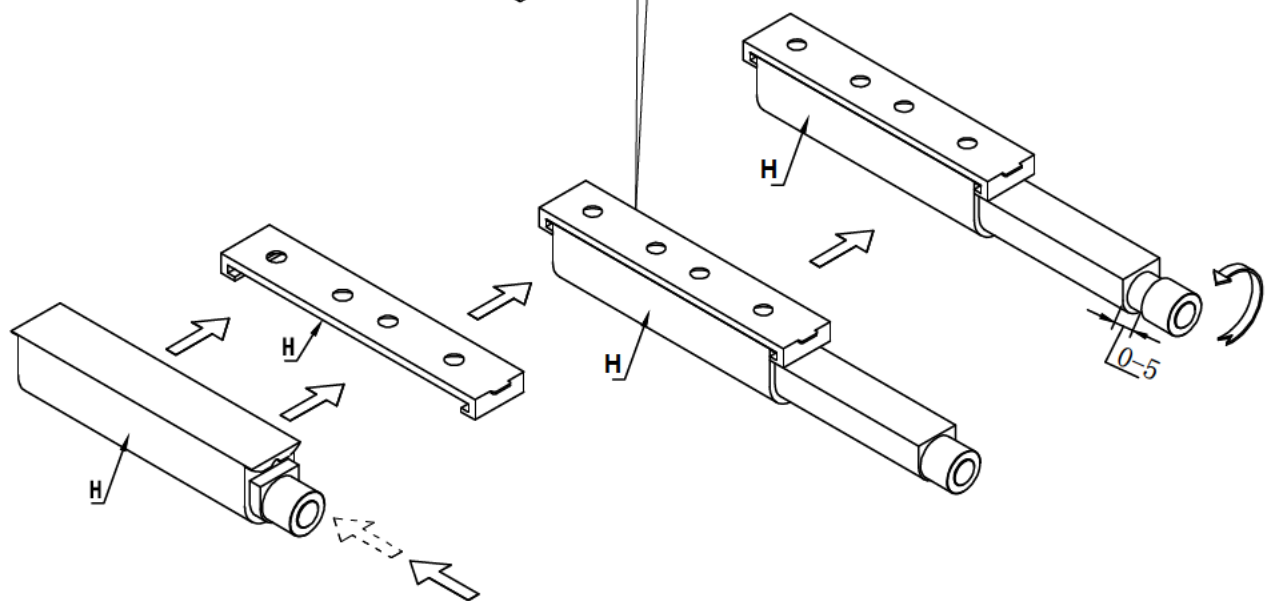
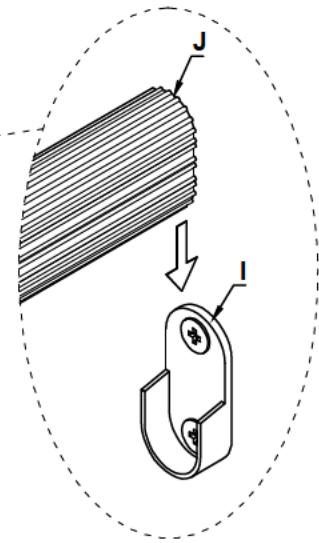
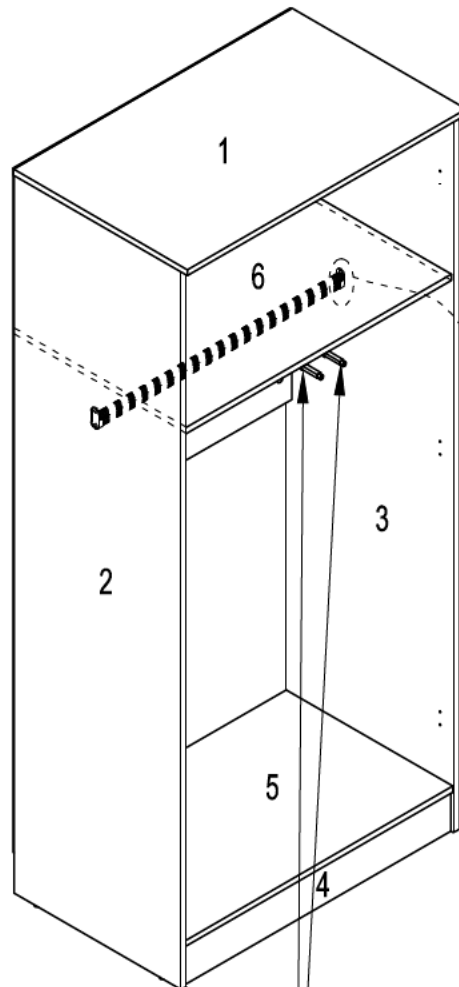
J=1

H=2



Clothes Bar

push-to-open mechanism



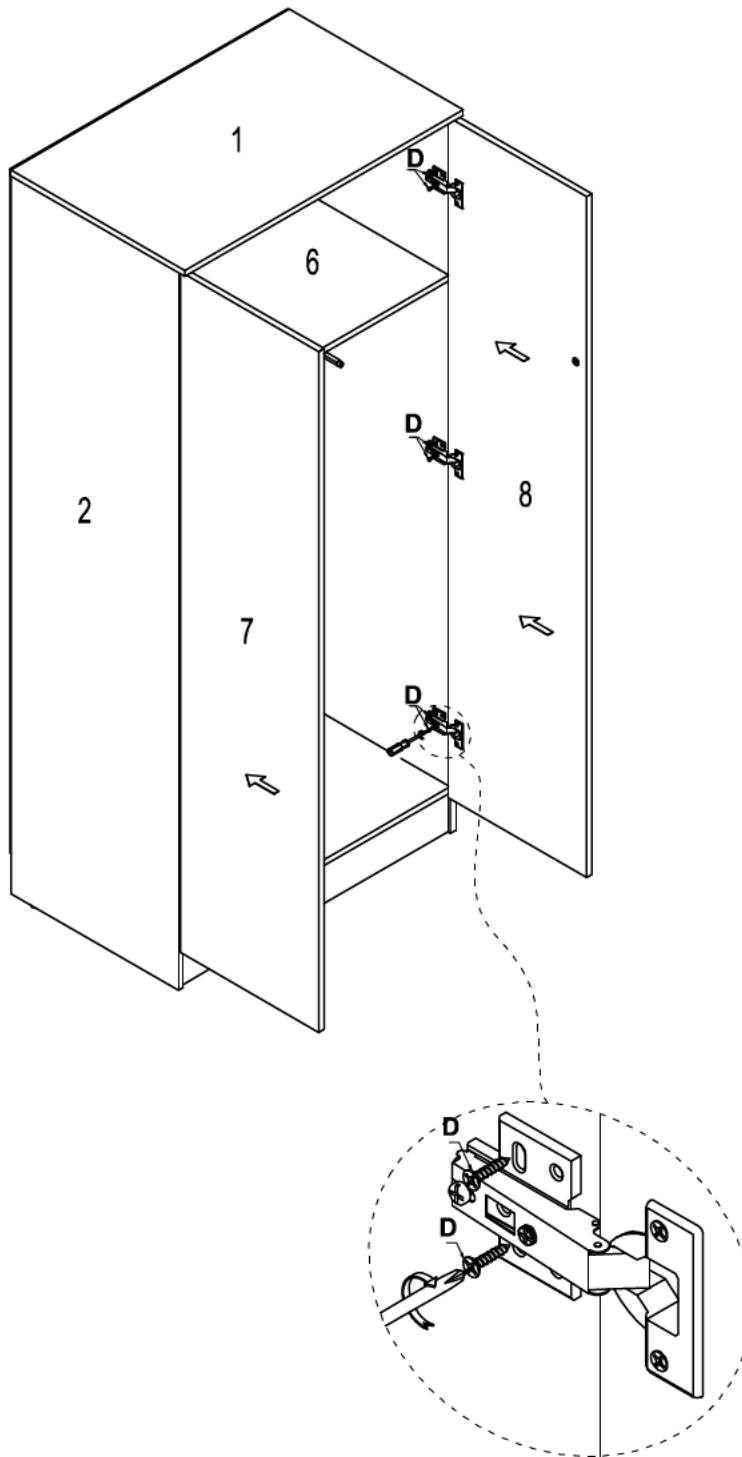
# Assembly Instruction

## Step 10

D=12

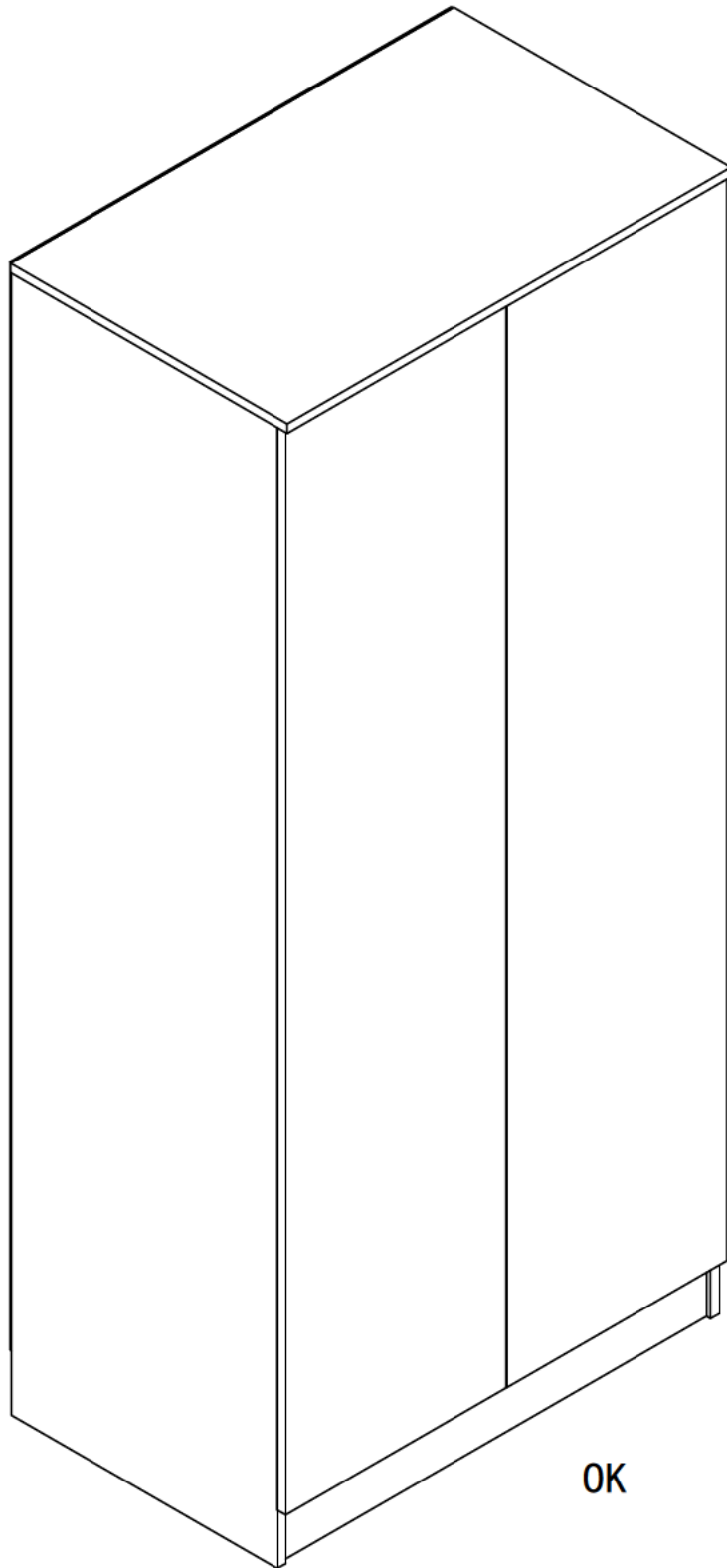


Screw  
M3.5\*14mm



# Assembly Instruction

Step 11



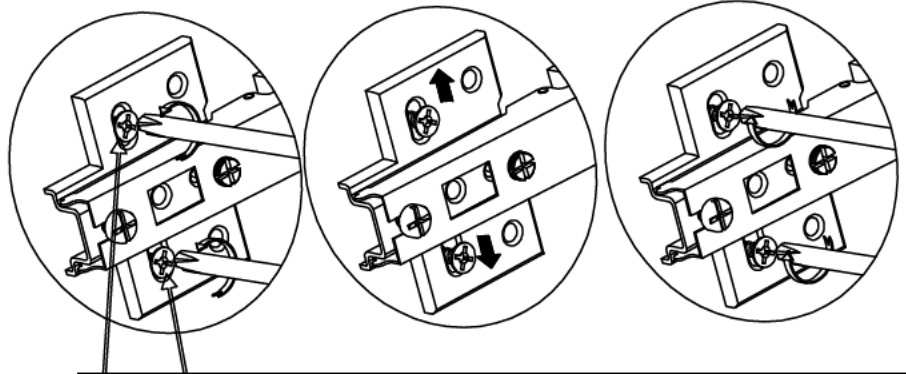
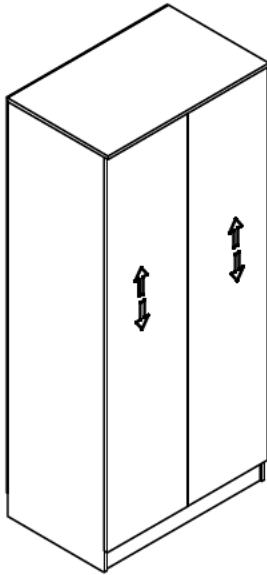
OK

**STEP 12**



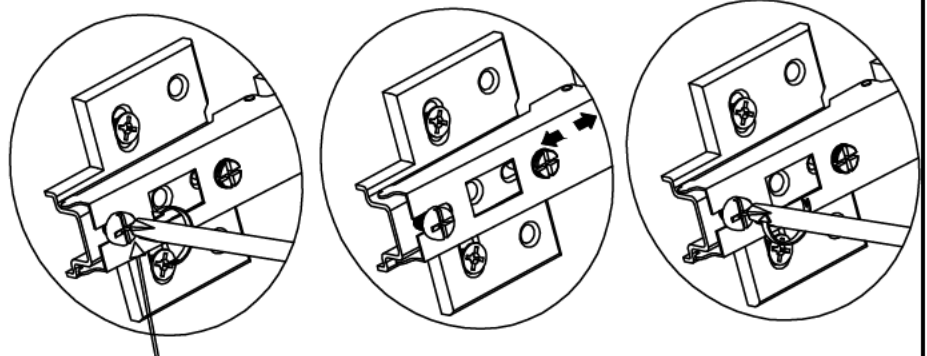
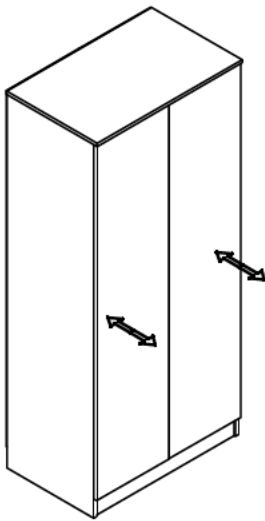
**Customer Attention:**

To align doors and control gap in between doors. Product doors may need adjusting during and after assembly. This can be done by adjusting appropriate screws. See below illustration.



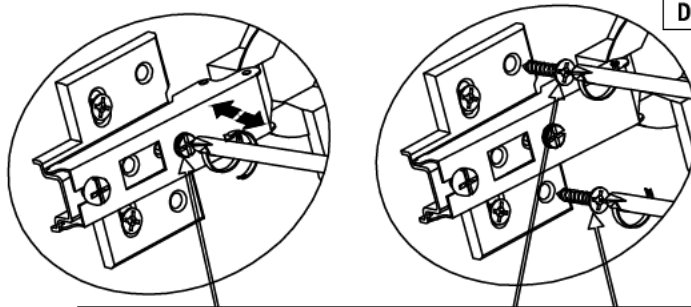
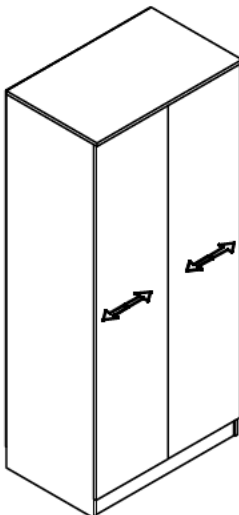
**Vertical door adjustment:**


Loosen both screws on all hinges and lift the door to the desired height. This allows an even space at the top and bottom between the door and frame



**Lateral Door Adjustment:**

If door is hinge bound, (rubbing on frame as you close or open door) loosening screw shown and move the door in appropriate direction. (In or out)



D  12PCS

**Horizontal Door Adjustment:**

Rotate Screw clock wise or anti clock wise. This will produce an even gap between doors and frame. after adjusting, you find the doors are in alignment, you can fasten that hinge with 2 screws

P=1

