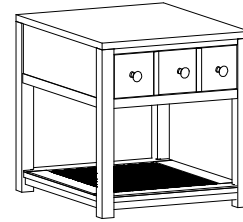


ASSEMBLY INSTRUCTIONS

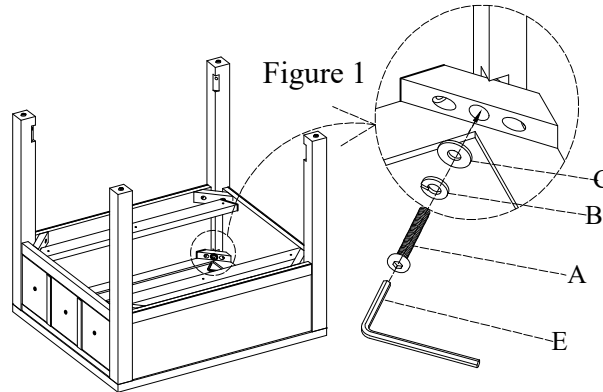


TOOLS REQUIRED:

- Allen Wrench (Provided, Part E)
- Phillips screwdriver (Not Provided)

BEFORE YOU START:

1. Check the hardware against the hardware list to make sure all items are present.
2. Assemble your furniture on a soft, flat surface to avoid scratching the finish.
3. **CAUTION:** Do not over tighten screws, nuts or bolts during assembly.
4. Your furniture may require occasional tightening.



INSTRUCTIONS:

1. Turn the table top on to a clean soft surface
2. Attach legs to the top frame using Bolt (A), Washer (B), Flat Washer (C) and Allen Wrench (E). As Shown in Figure 1. (Do not tighten now).
3. Attach bottom frame to the legs using Bolt (A), Lock Washer (B) and Flat Washer (C) and tighten with the Allen Wrench (E). As Shown in Figure 2.
4. Attach the dust panel to the top frame using Screw (D), and tighten with Phillips screwdriver . As Shown in Figure 3.
5. Pull out drawer, align and attach the hardware with holes, then attach with screws as shown in Figure 4.
6. Tighten all bolts before setting table back upright.

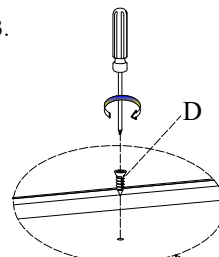
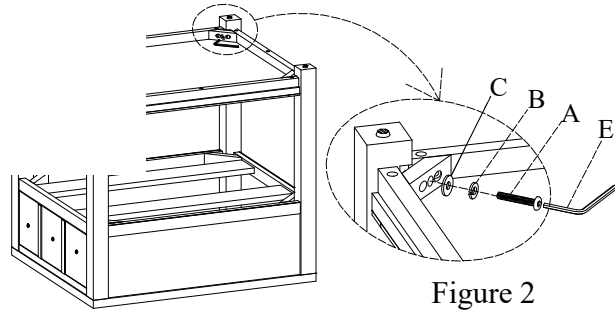


Figure 3

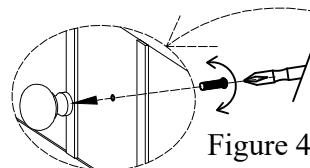




Figure 4

HARDWARE LIST			
A		Bolt (Ø1/4"*2")	8pcs
B		Lock Washer (Ø1/4")	8pcs
C		Flat Washer (Ø1/4"*Ø3/4")	8pcs
D		Screw (#6"*Ø5/8")	6pcs
E		Allen Wrench (4mm)	1pc