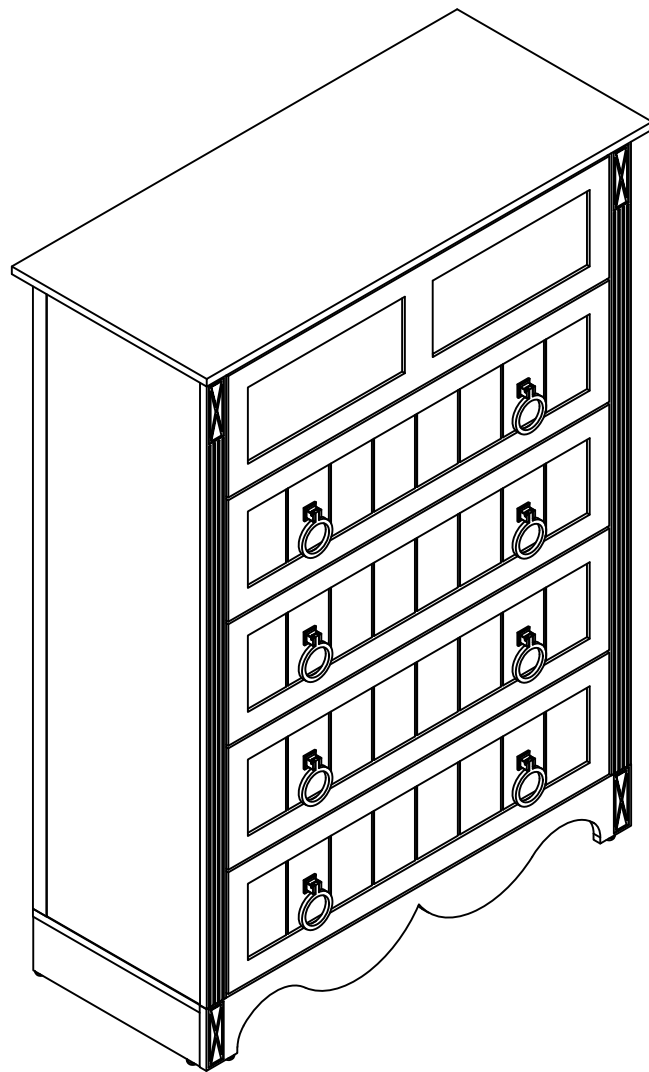


Installation Instruction



Assembling

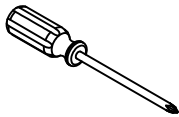
Estimated time for assembly



45 : 00

What you need

- Use the packaging carton as a working surface to prevent product damage during assembly
- Phillips head screwdriver



Weight Limitation



100

lbs table top

35

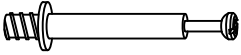
lbs per

What' included

Code Description	Qty
A Cam Bolt M6X35MM	77
B Cam Lock 15X10MM	77
C Wooden Dowel M8X30MM	16
D Screw M4X40MM	32
E Screw M3.5X14MM	22
F Metal shake handhandle	8
G Nylon Strap	2
H Screw M3.0X12MM	60
I Cam Bolt M4X8MM	8
J The back button	18
K Anchor	2
L MATS	7
M Door Rebound Device Holder	1
N Self-adhesive hole sticker	77
O Door Rebound Device	1
CL Left mother extended orbit	5
CR Right mother extended orbit	5
DL Left public extension track	5
DR Right public extends track	5

The Hardwares

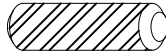
A



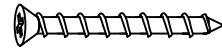
B



C



D



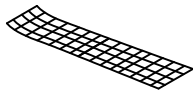
E



F



G



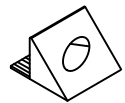
H



I



J



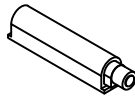
K



L



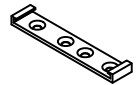
M



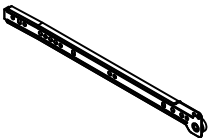
N



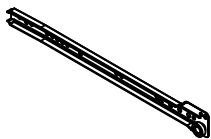
O



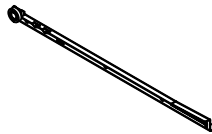
CL



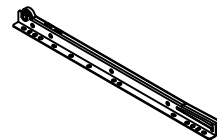
CR



DL



DR



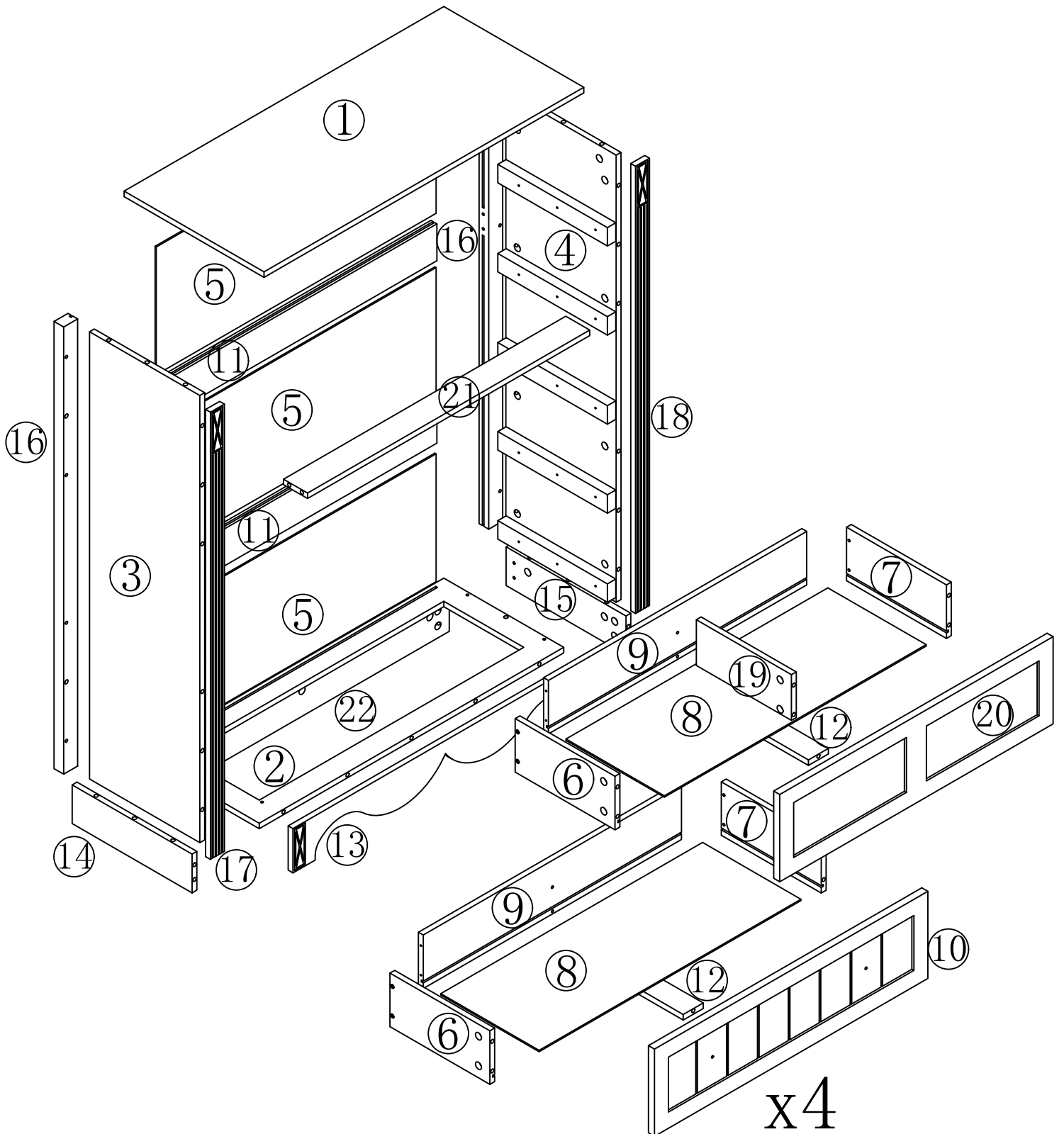
IMPORTANT:

1. Do not tighten bolts / screws completely until all bolts / screws are lined up and inserted into holes.
2. Do not over tighten screws and bolts to avoid stripping
3. Please use hand tools to assemble this product. Do not use power tools.

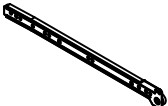


Included Accessories

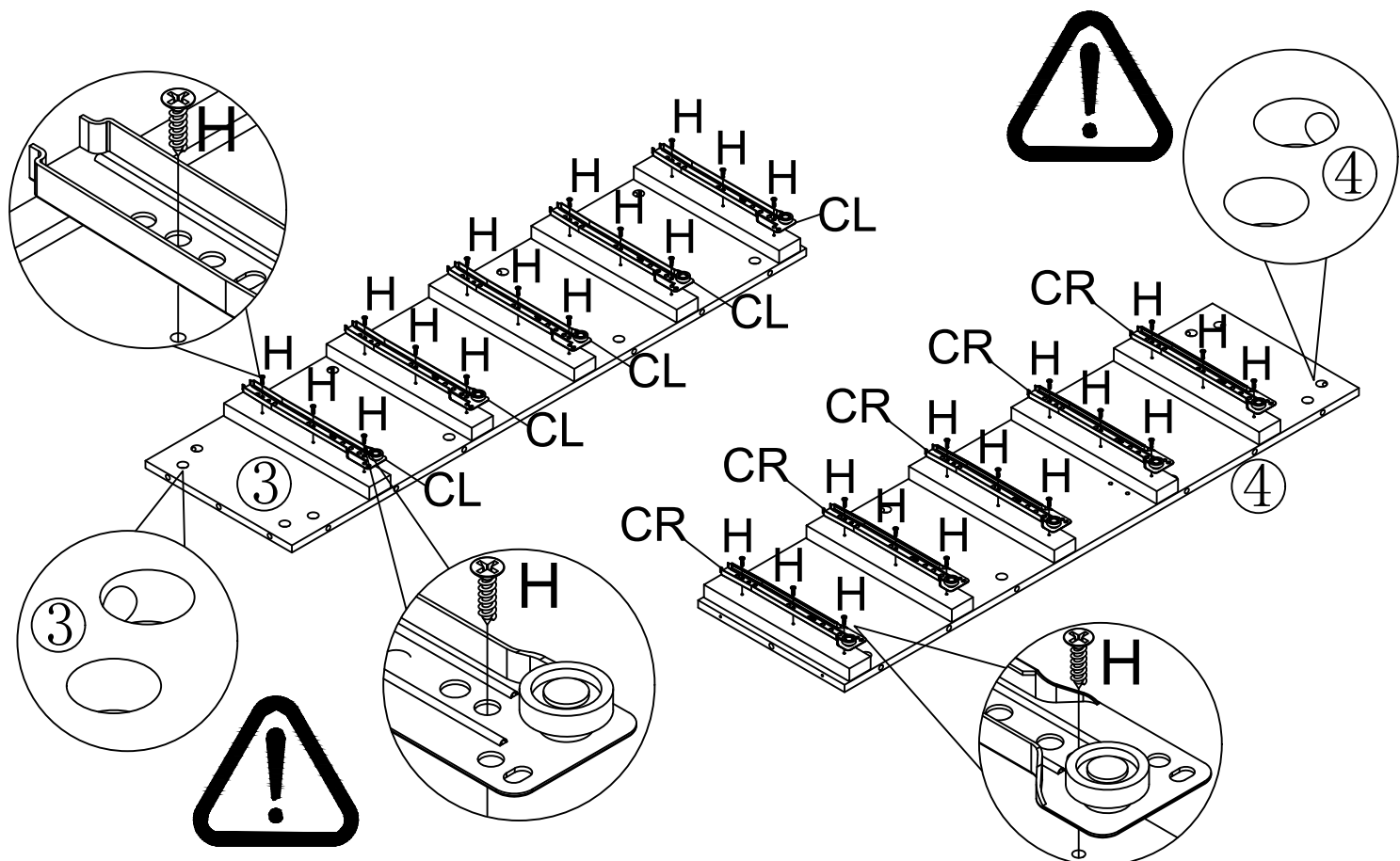
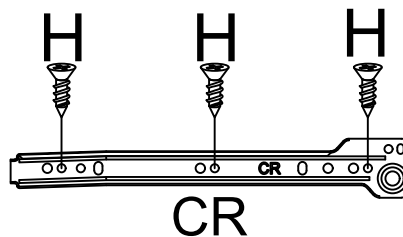
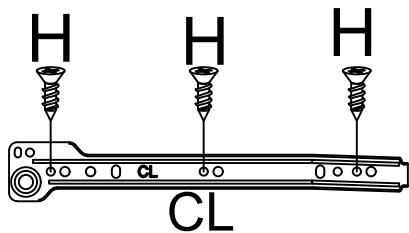
Code	Description	Qty
1	Cabinet Top	1
2	Bottom panel	1
3	Left Side Panel	1
4	Right Side Panel	1
5	On the rear panell	3
6	Drawer left panel	5
7	Drawer right side panel	5
8	The drawer bottom	5
9	After the drawer board	5
10	Bottom drawer	4
11	After the gusset plates	2
12	At the bottom of the drawer	5
13	Front Support Bar	1
14	Left bottom support plate	1
15	Left bottom support plate	1
16	Side panel rear trim panel	2
17	Left side trim	1
18	Right side trim	1
19	Upper suction partition	1
20	Top drawn side	1
21	Drawer damper	1
22	Rear support plate	1

The Accessoriess

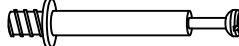


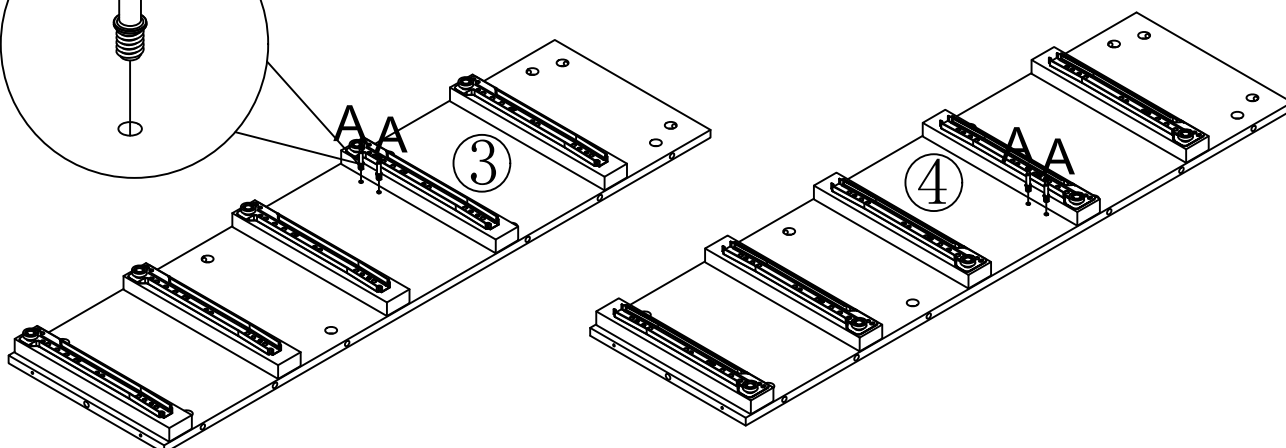
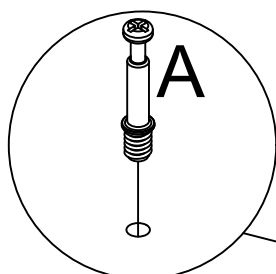
Step 1

CL	×5	CR	×5	H	×30
					

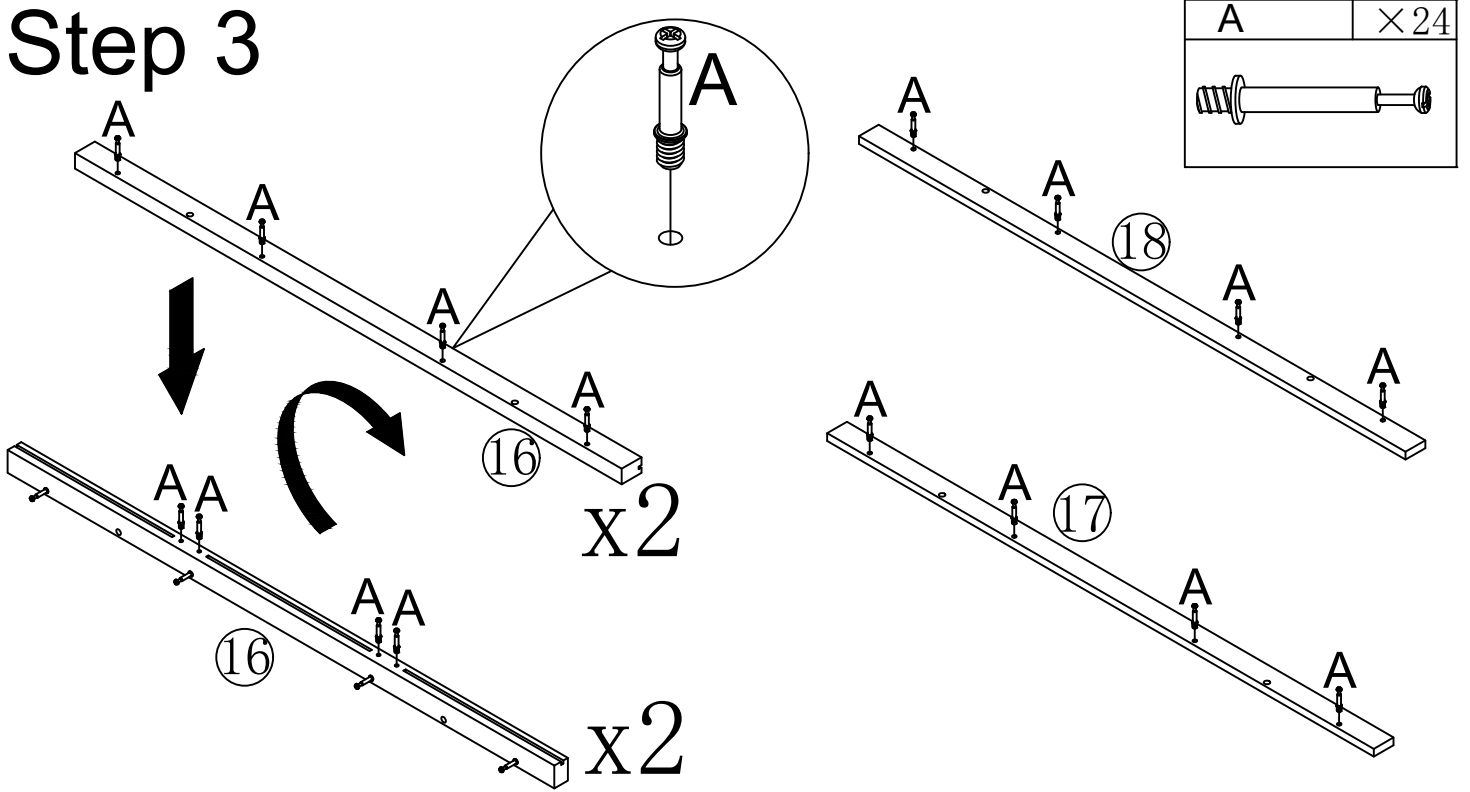


Step 2

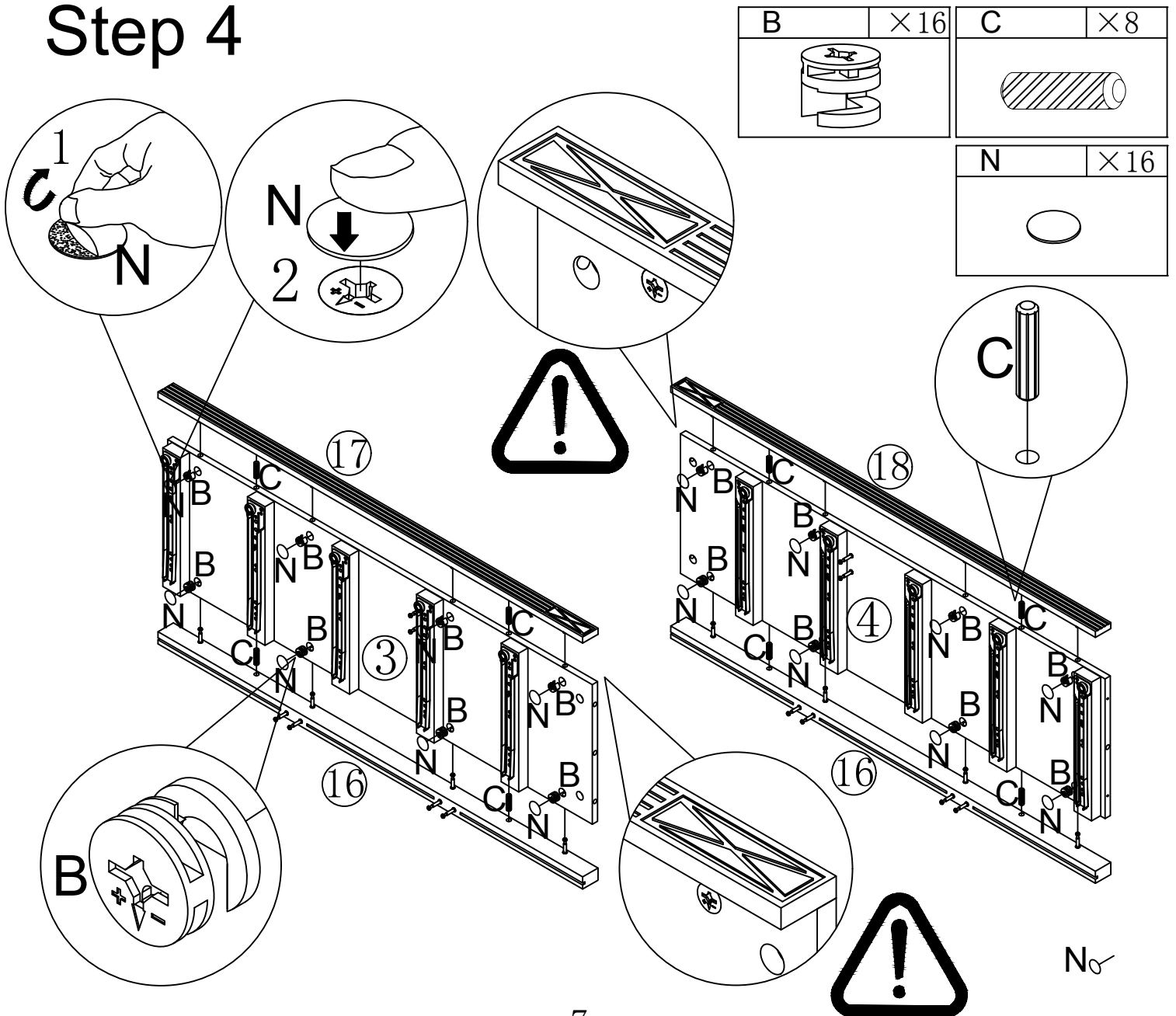
A	×4
	



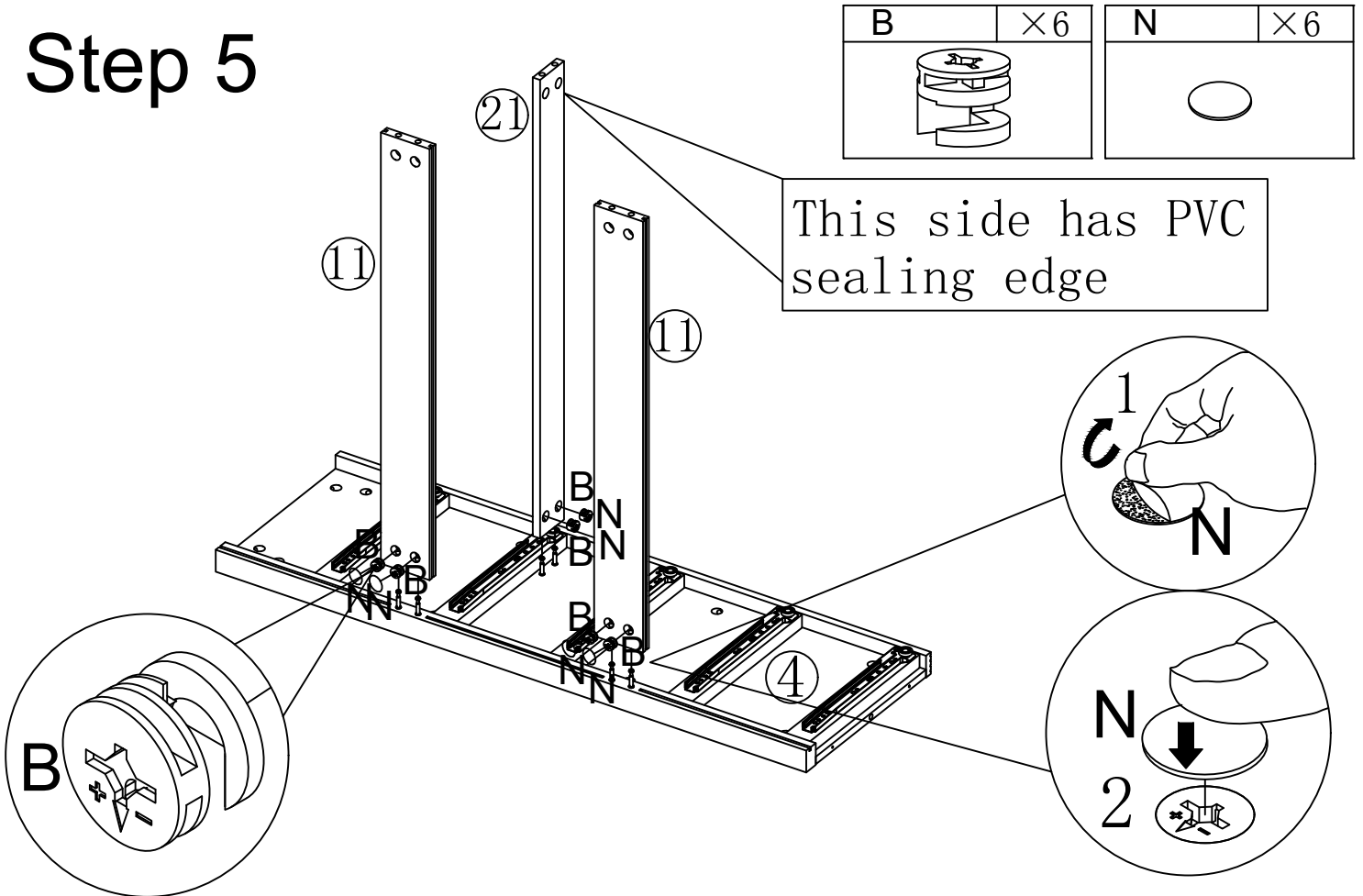
Step 3



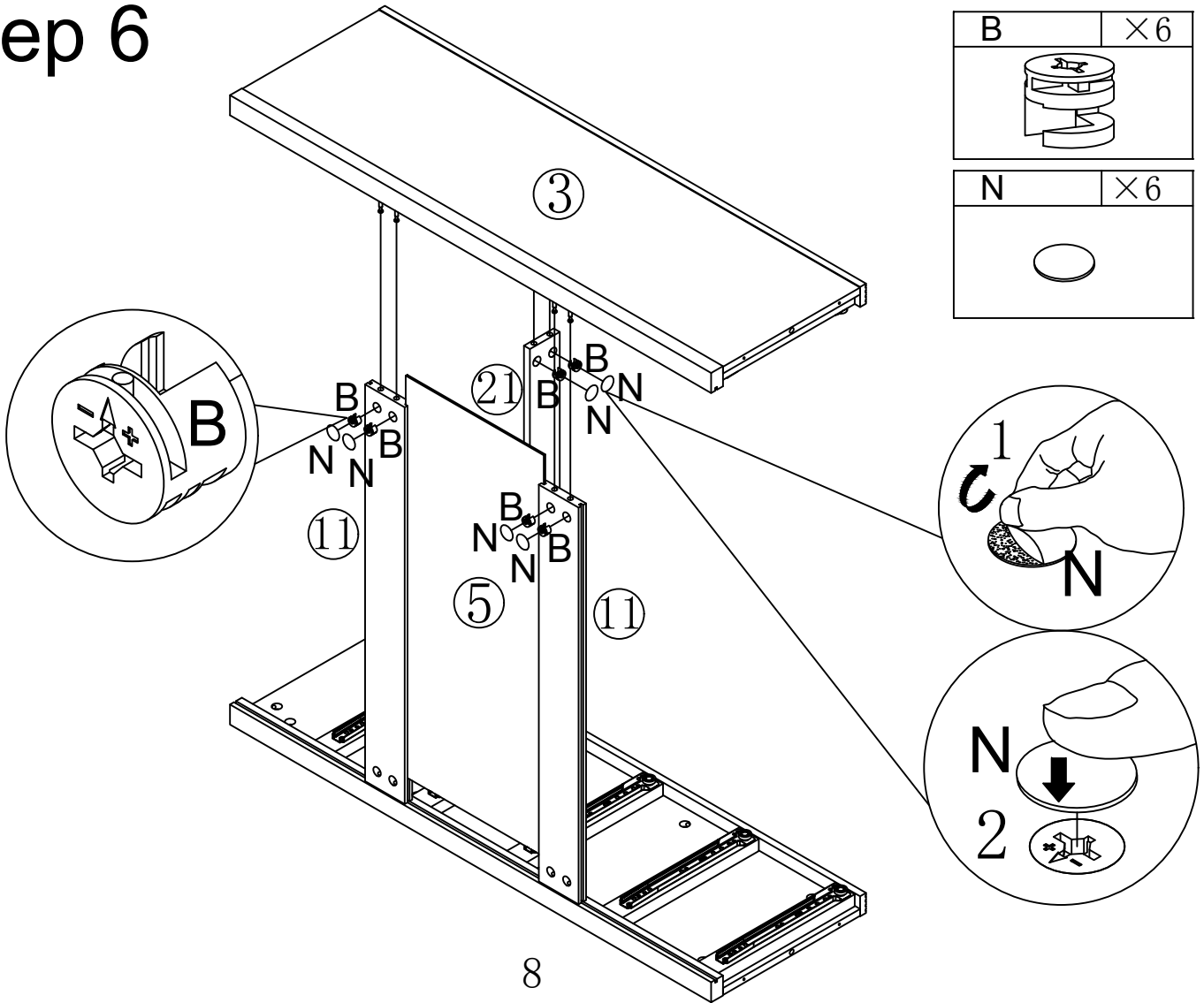
Step 4



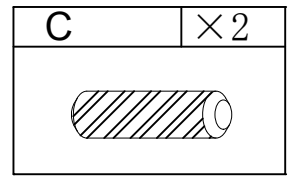
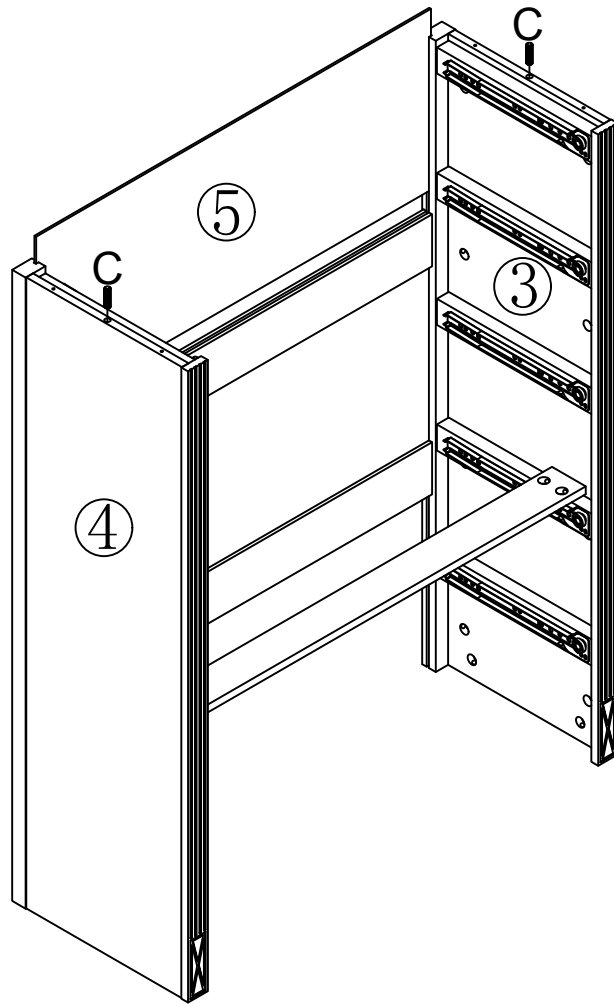
Step 5



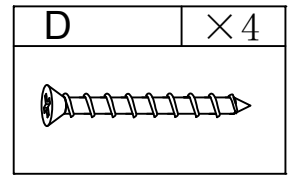
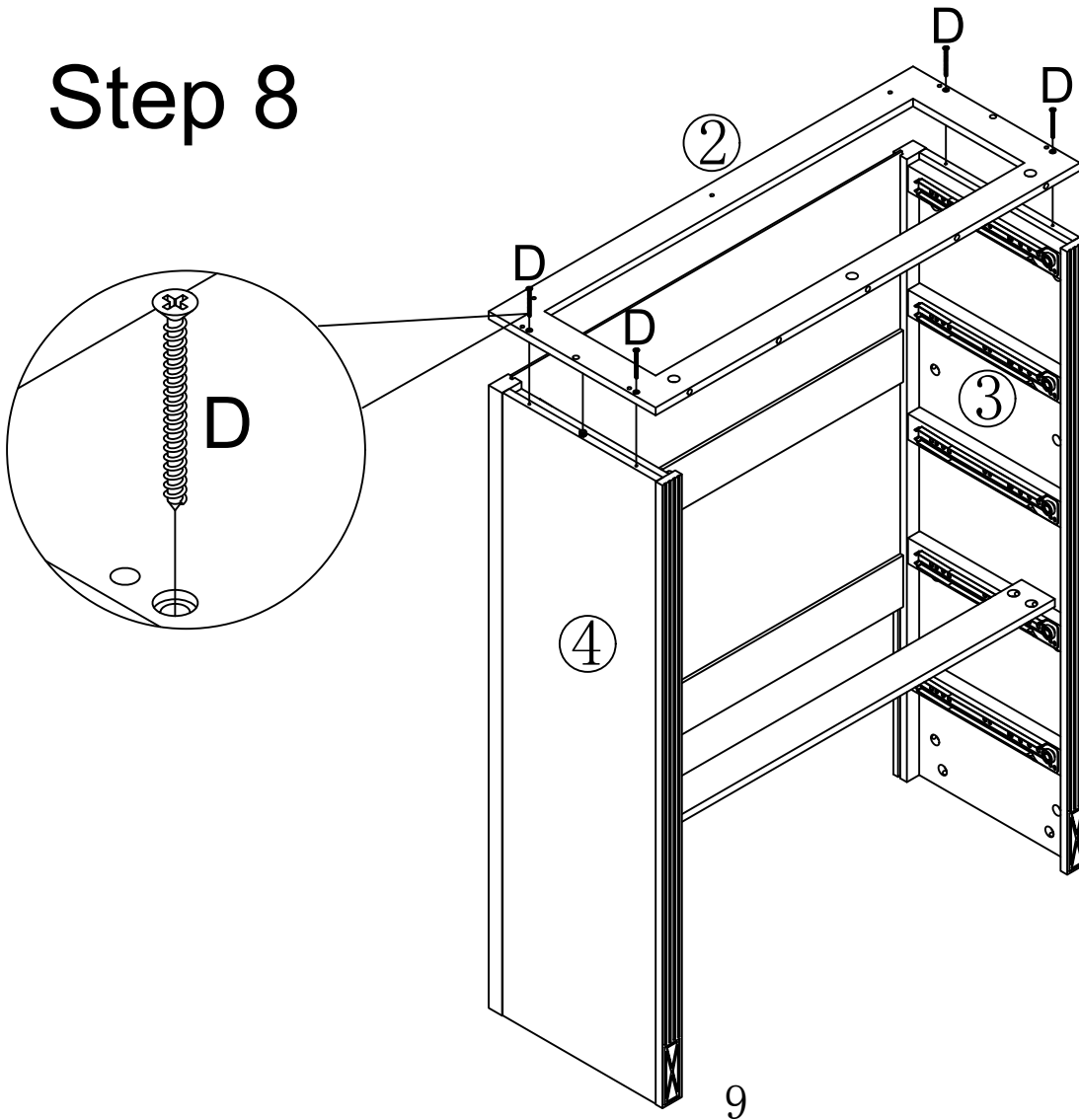
Step 6



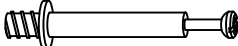

Step 7

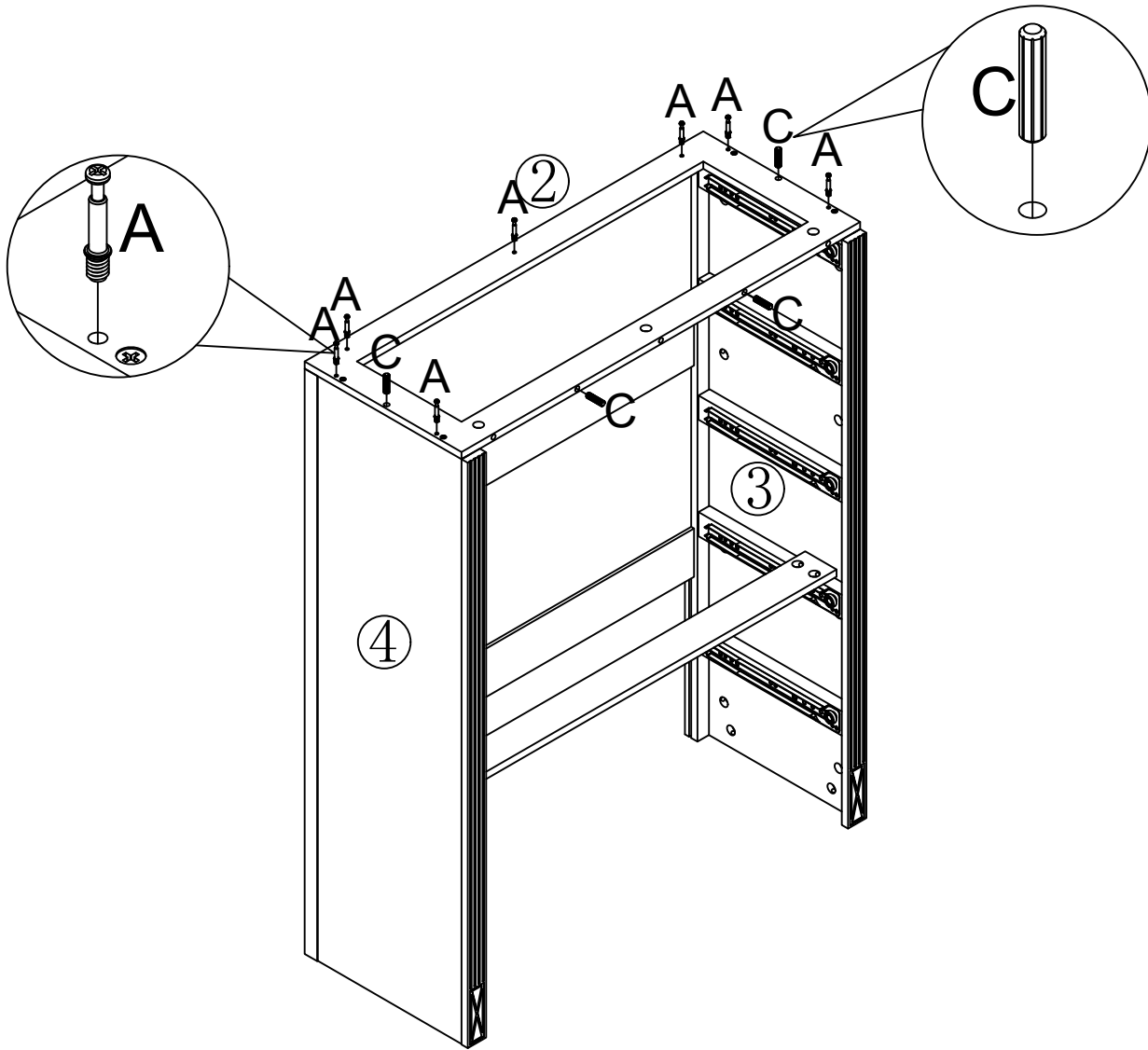


Step 8

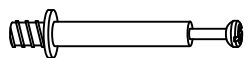


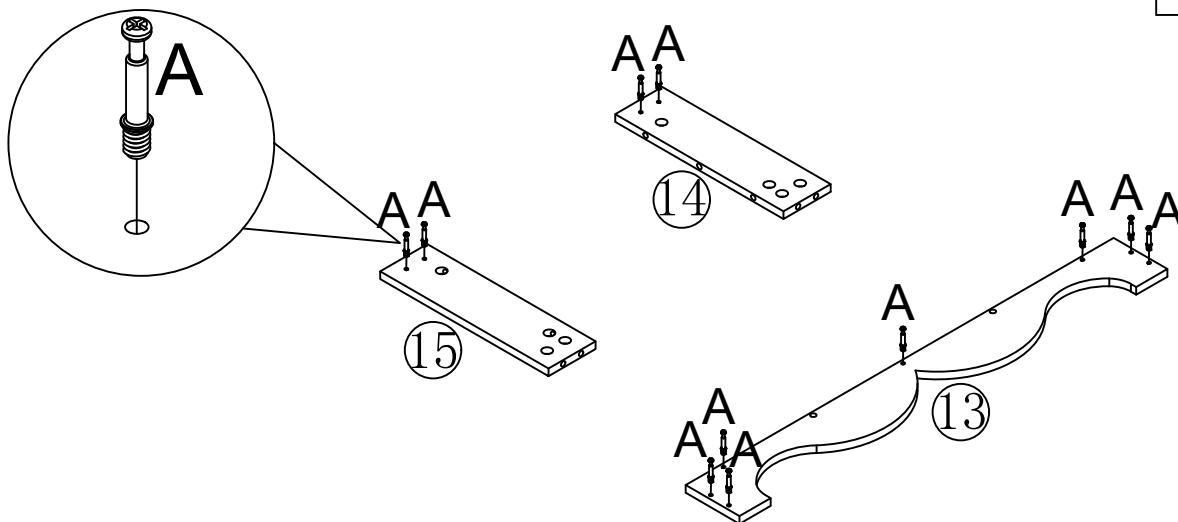
Step 9

A	×7	C	×4
			

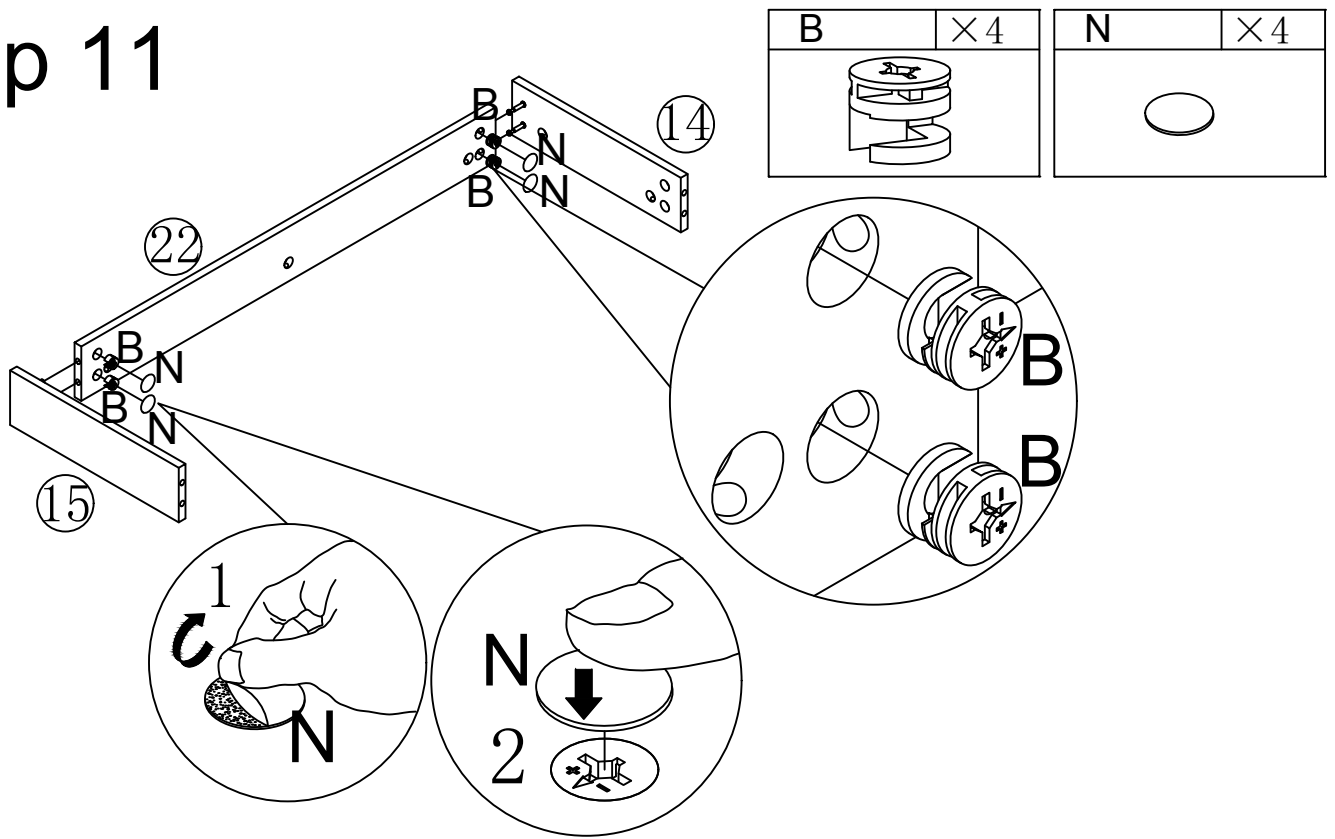


Step 10

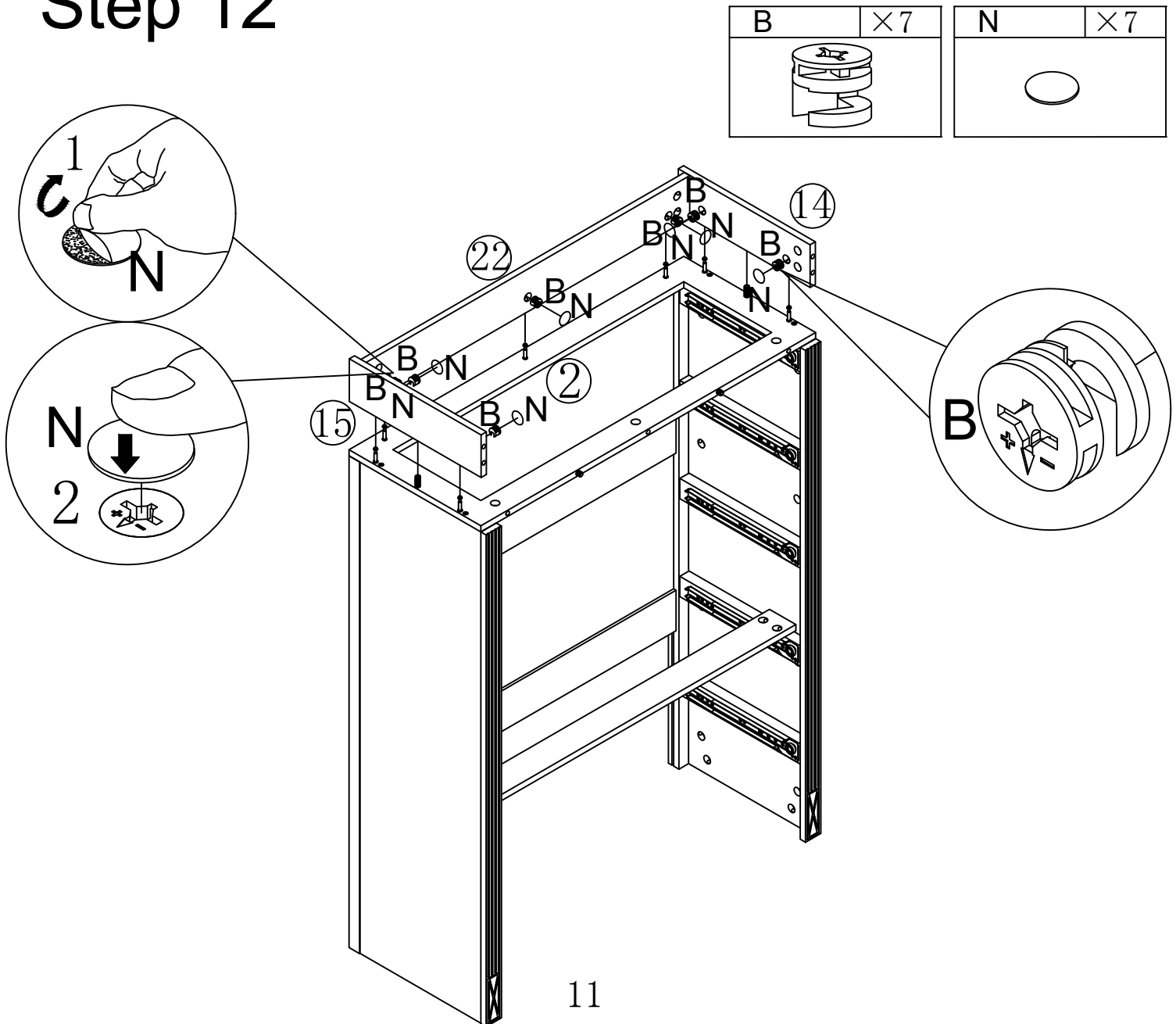
A	×11
	



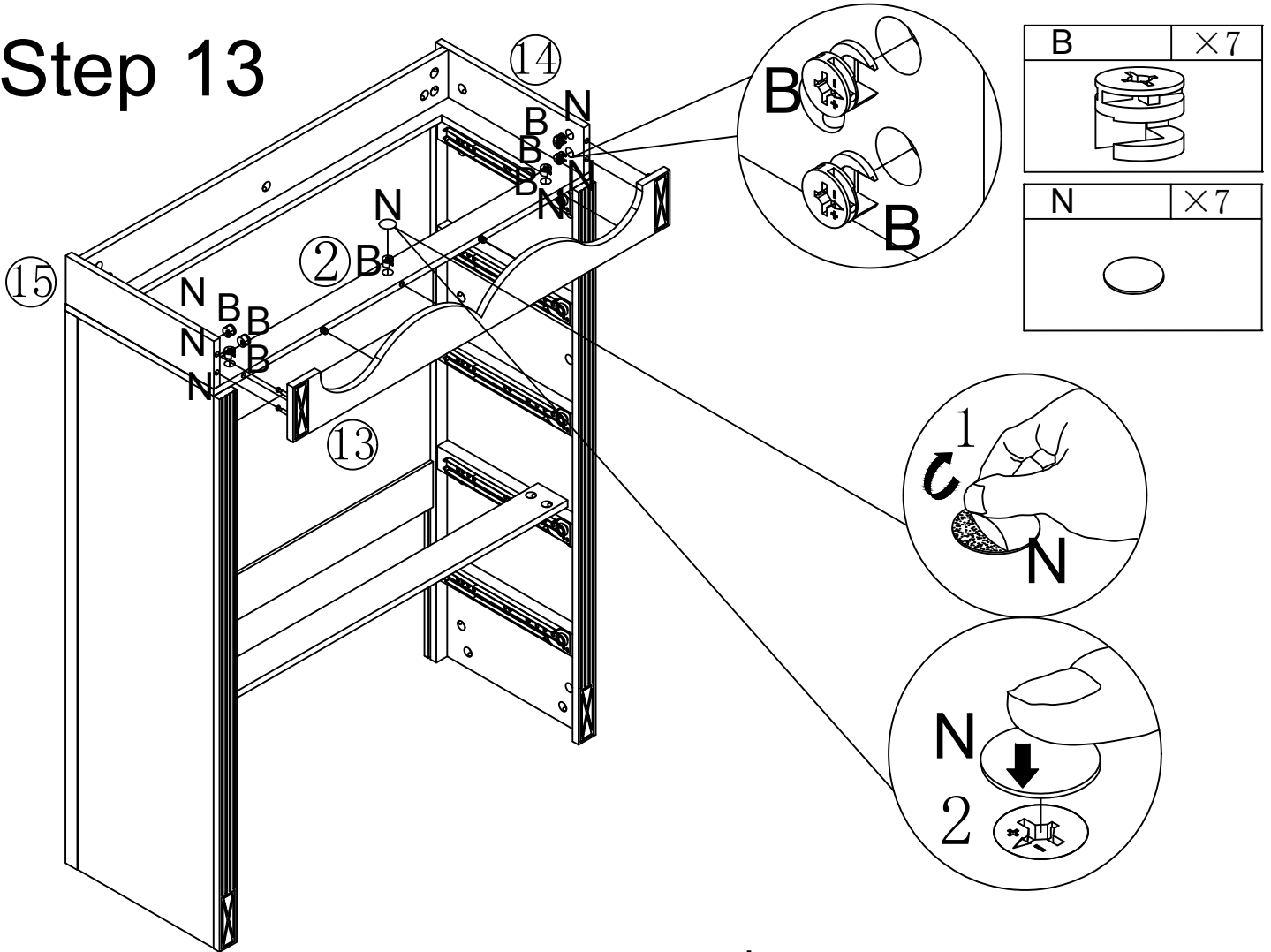
Step 11



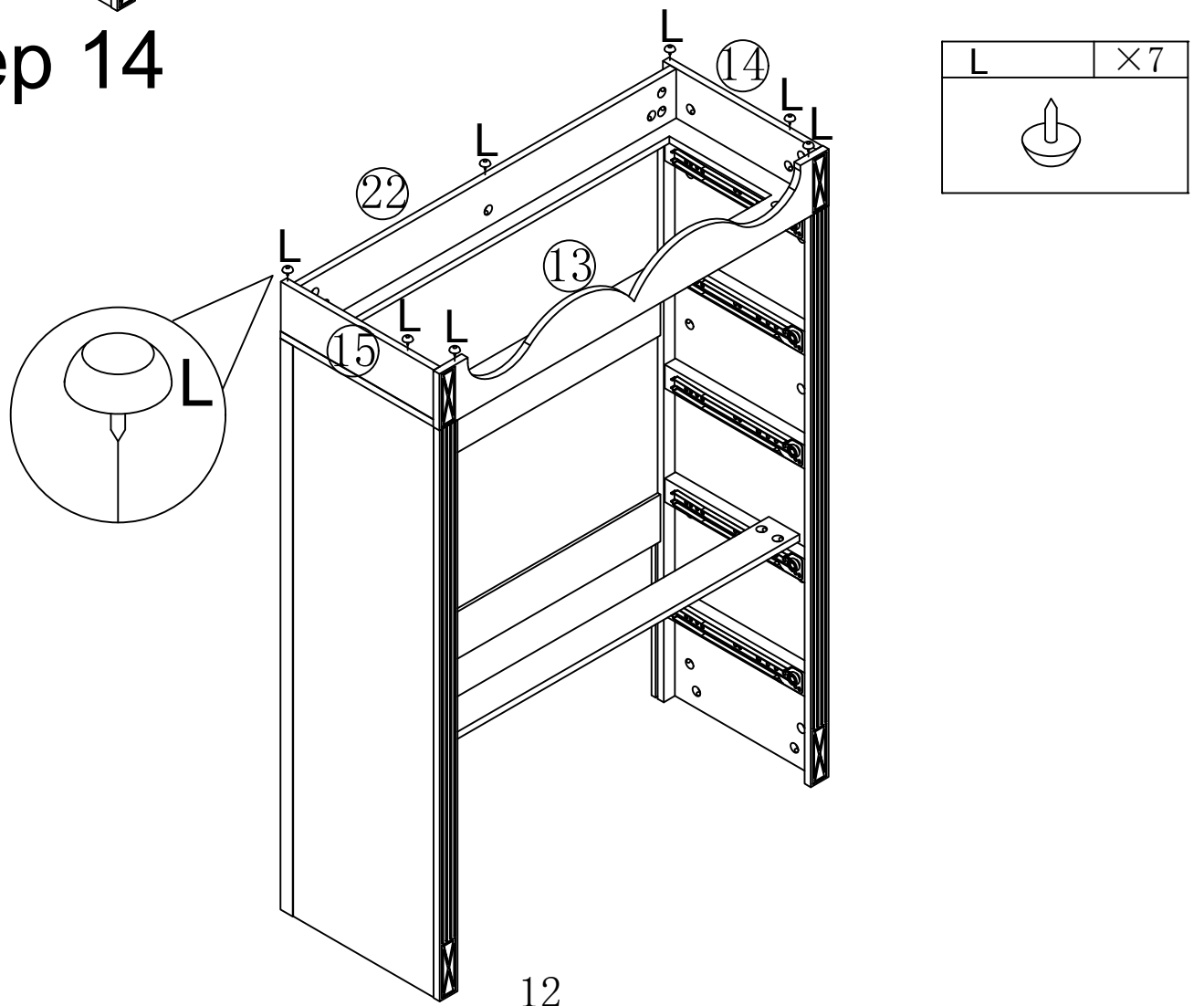
Step 12



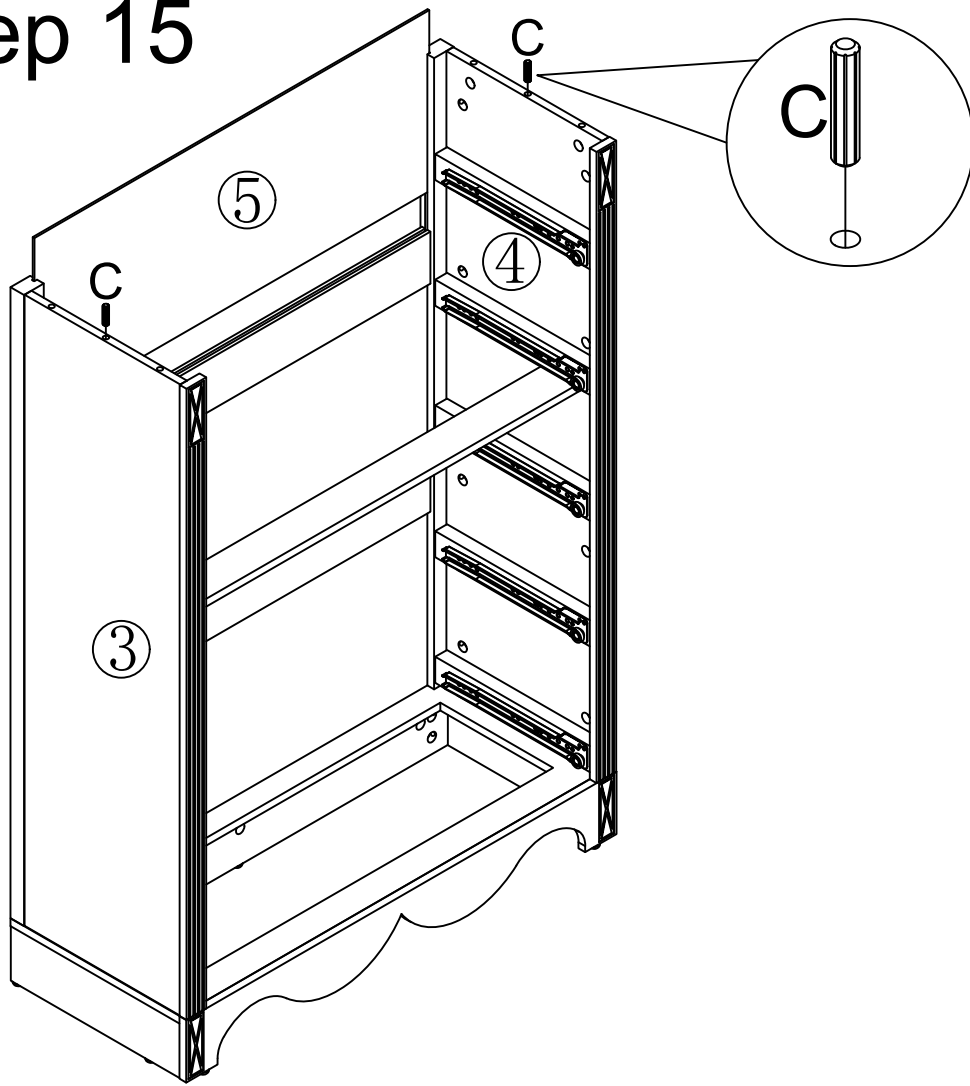
Step 13



Step 14



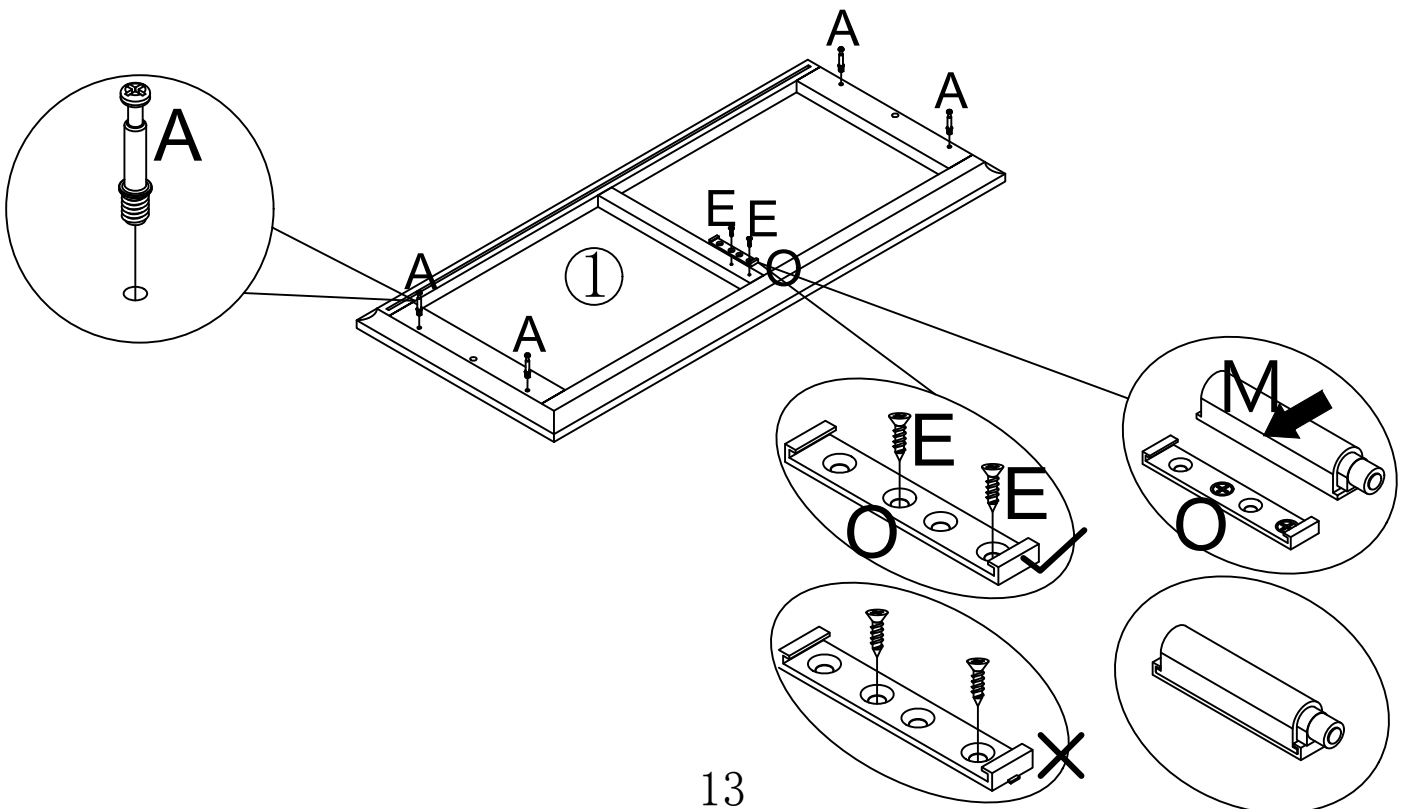
Step 15



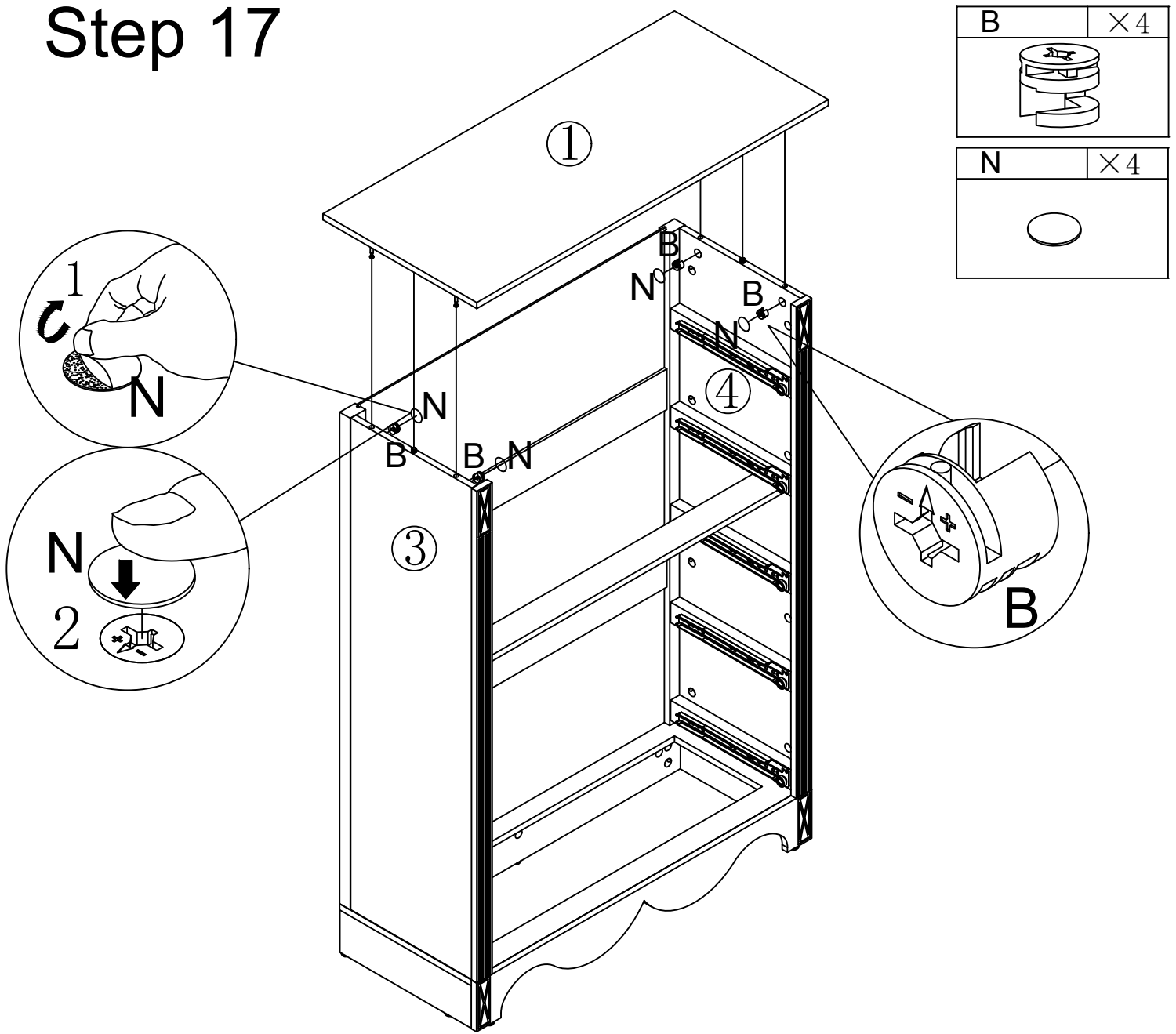
C	×2

Step 16

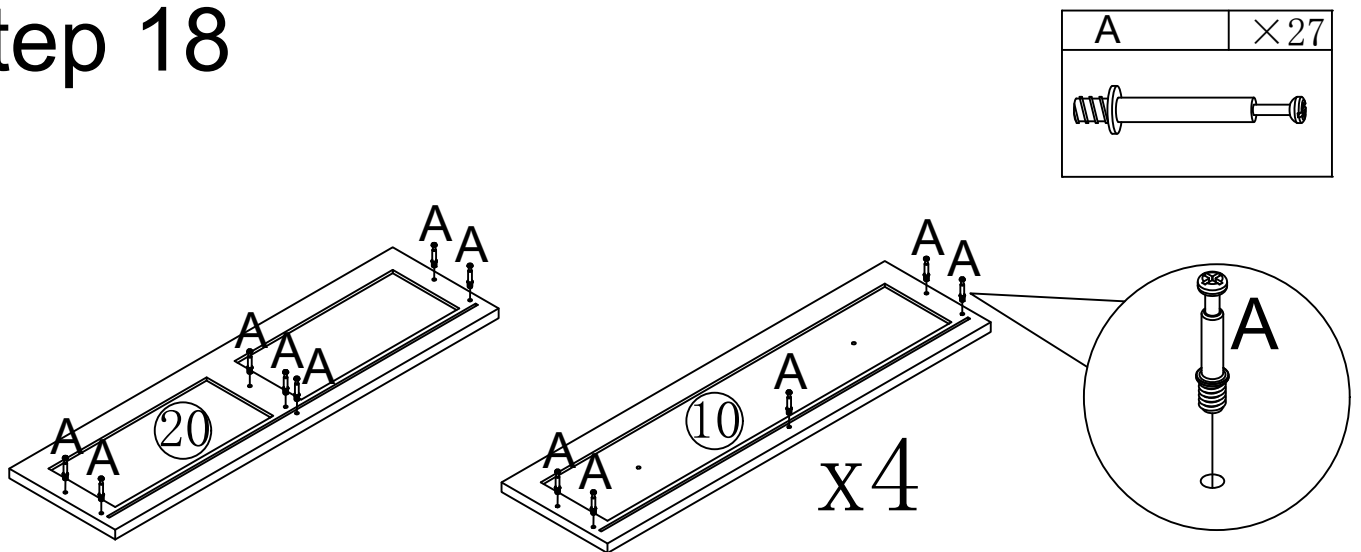
A	×4	E	×2	M	×1	O	×1



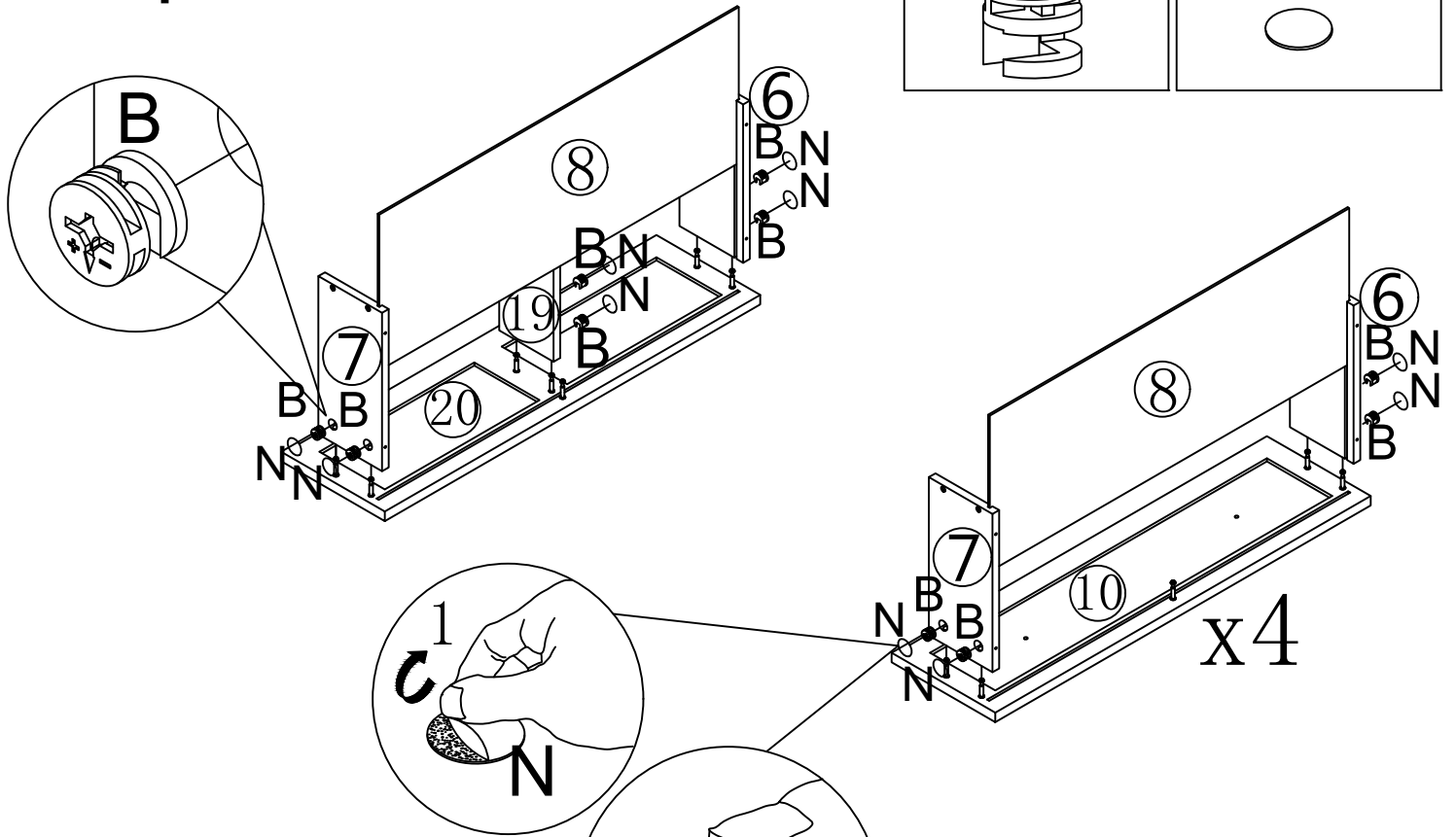
Step 17



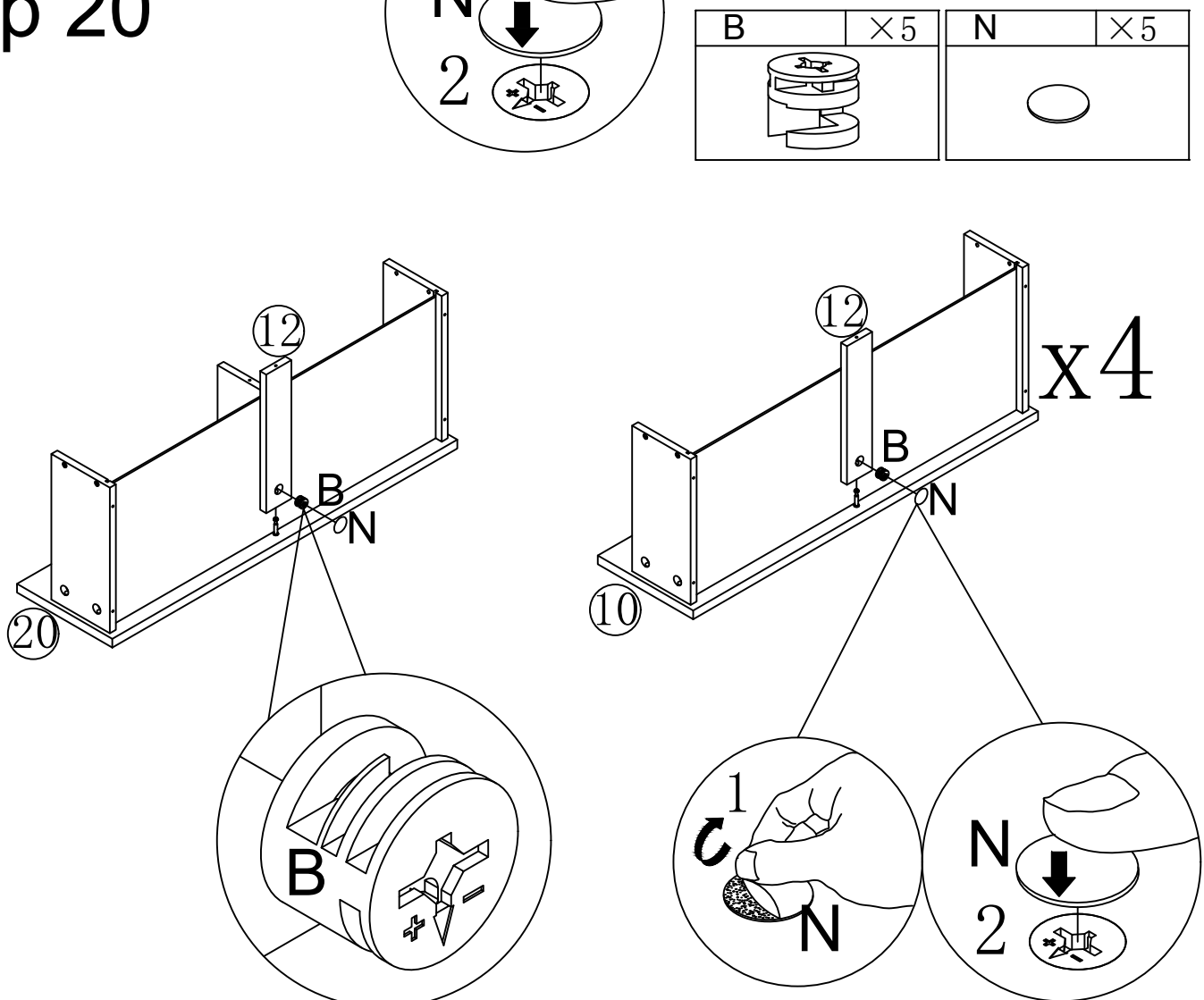
Step 18



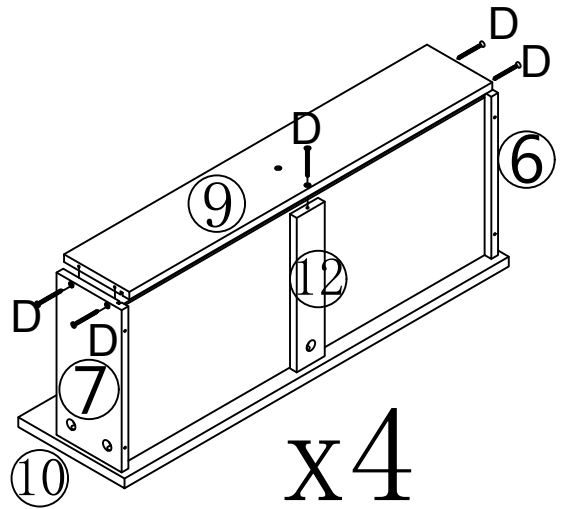
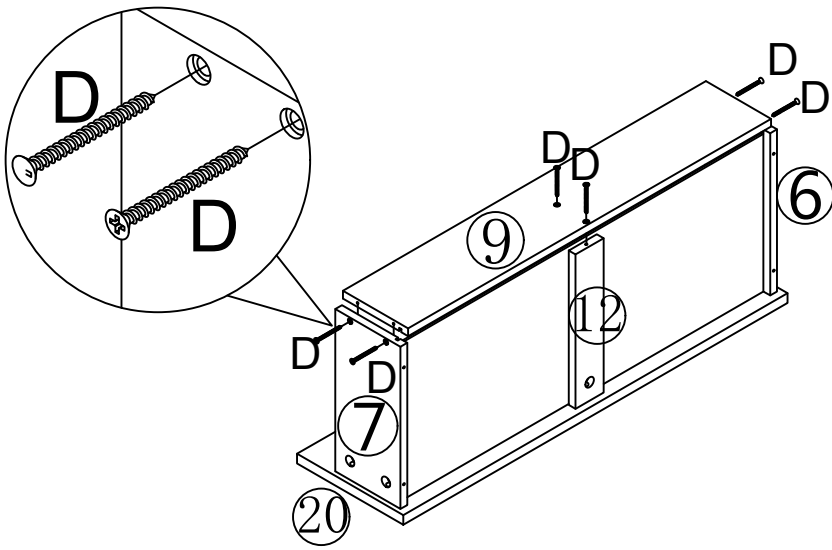
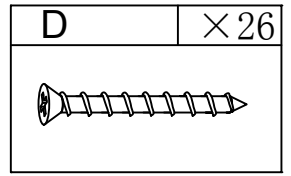
Step 19



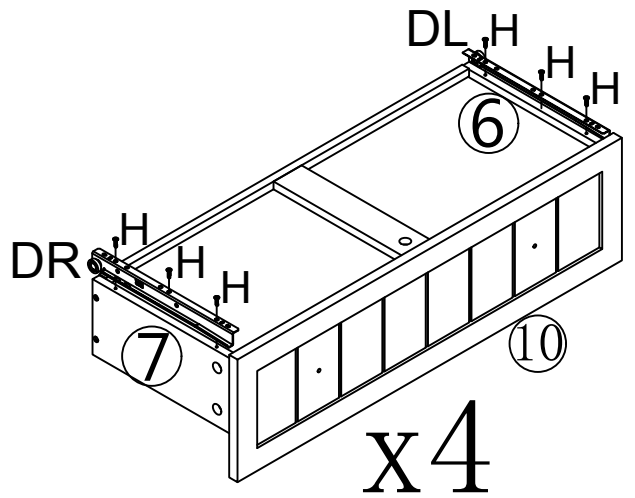
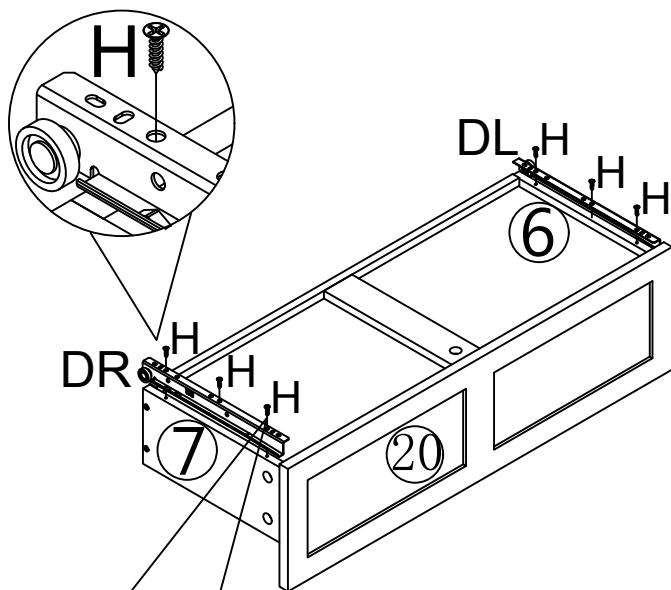
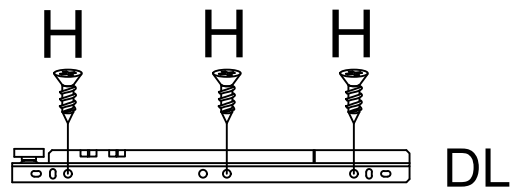
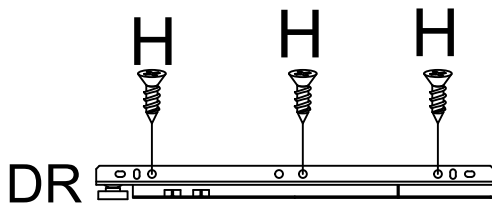
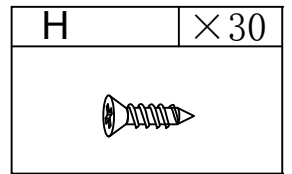
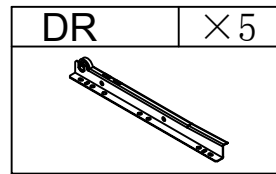
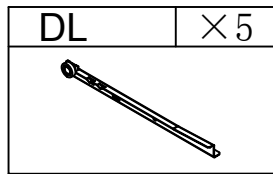
Step 20



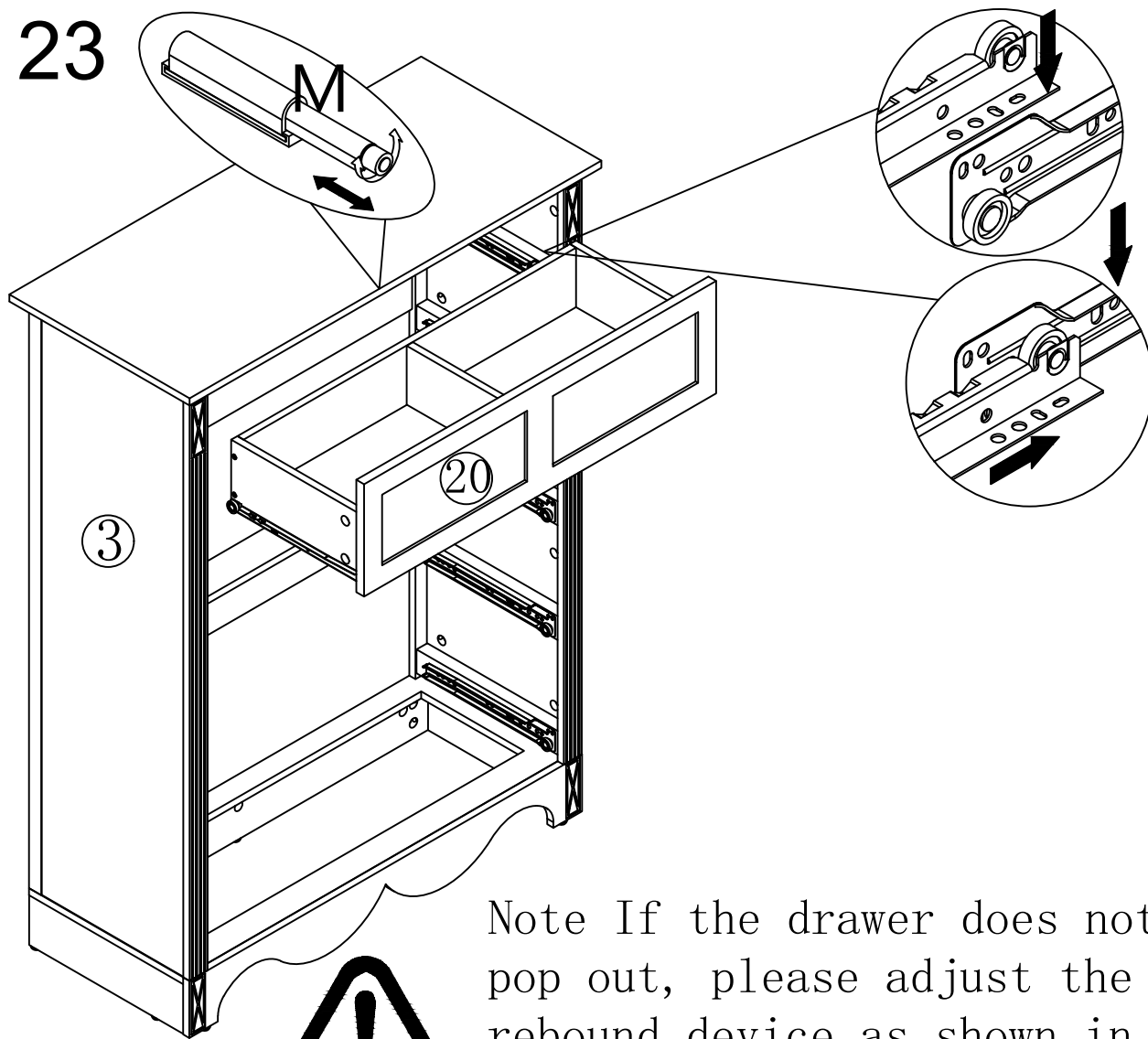
Step 21



Step 22



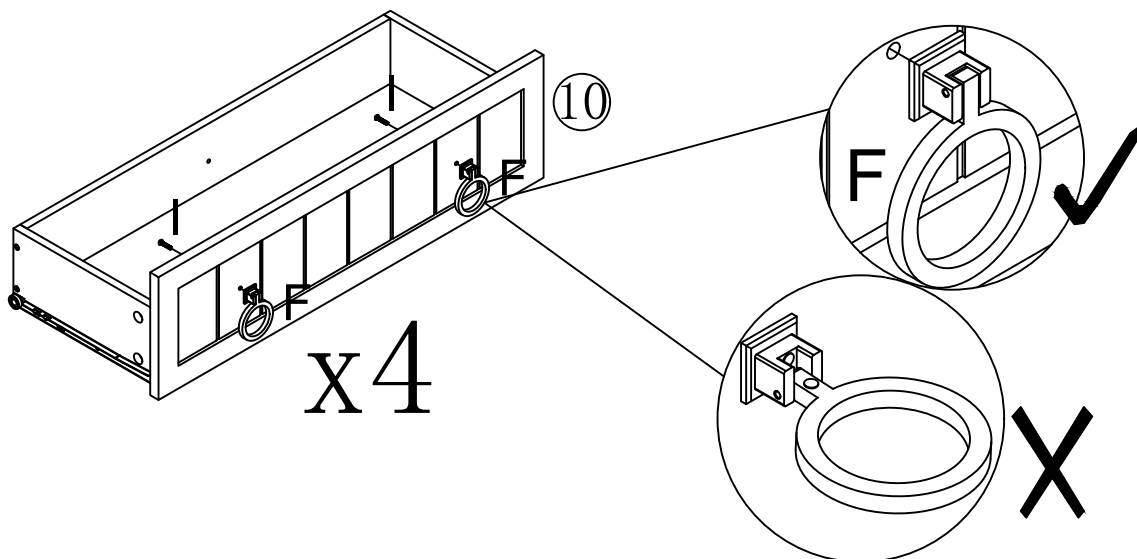
Step 23



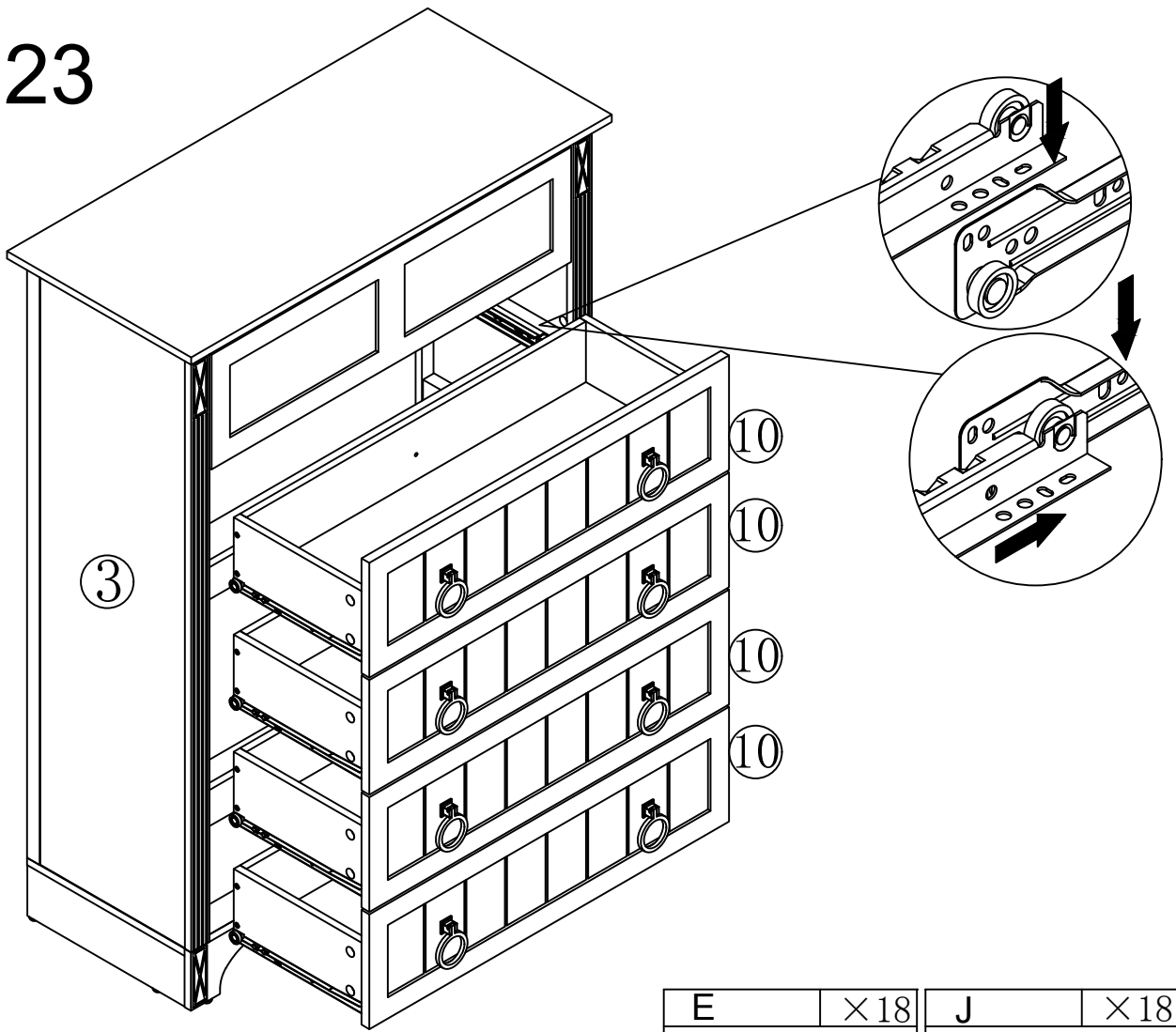
Note If the drawer does not pop out, please adjust the rebound device as shown in the figure


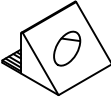
Step 24

F	×8	I	×8

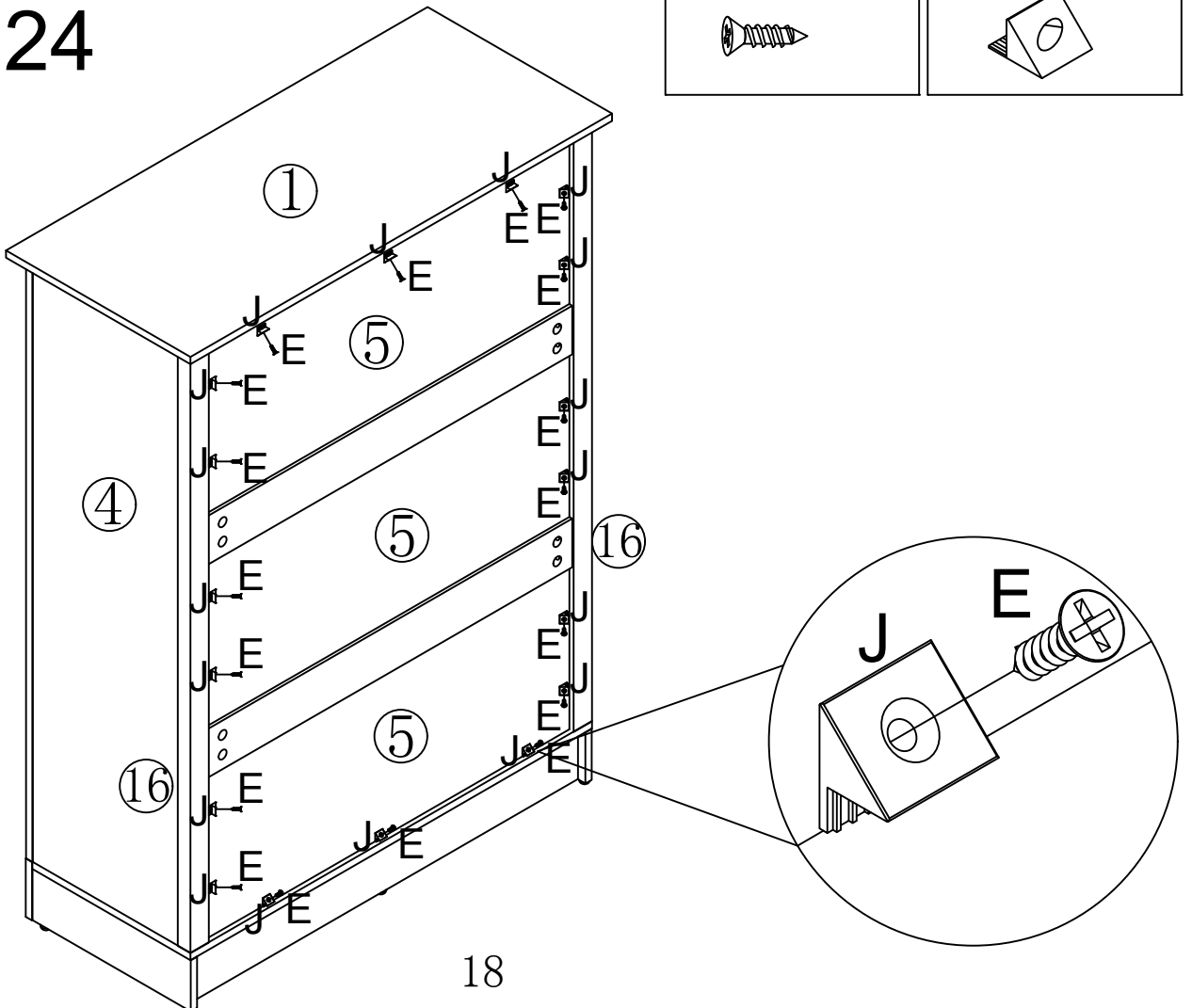


Step 23

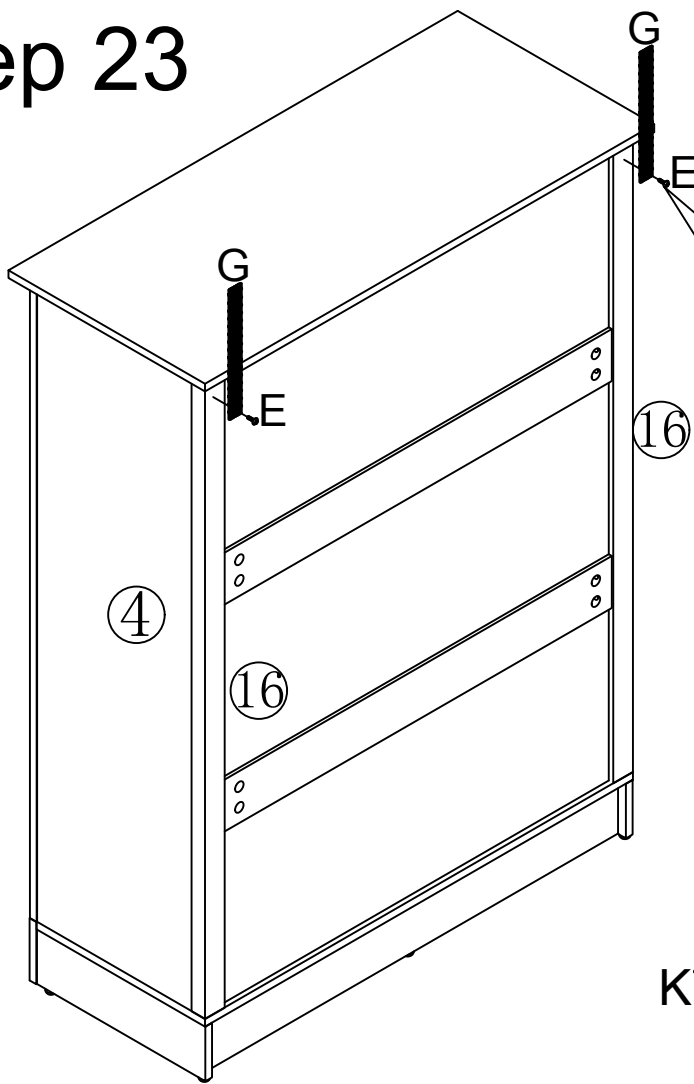


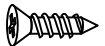
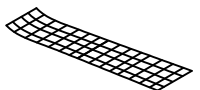
E	×18	J	×18
			

Step 24

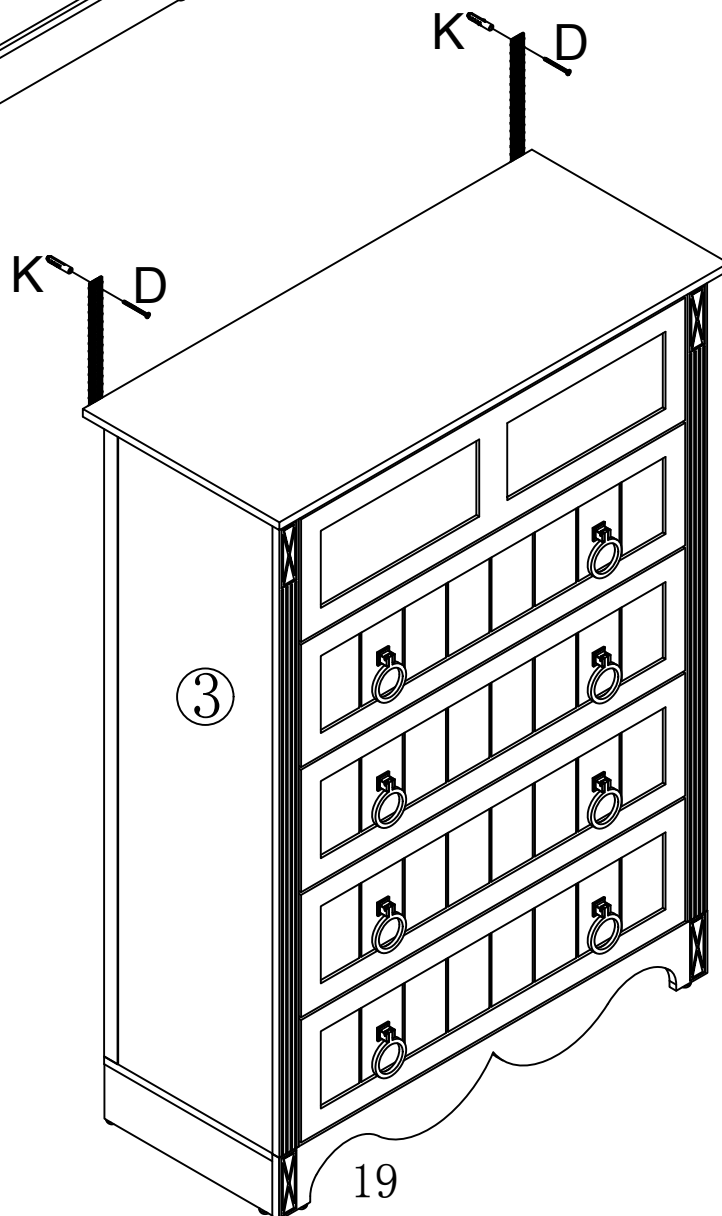


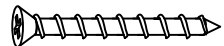
Step 23



E	×2
	
G	×2
	

Step 24



D	×2
	
K	×2
