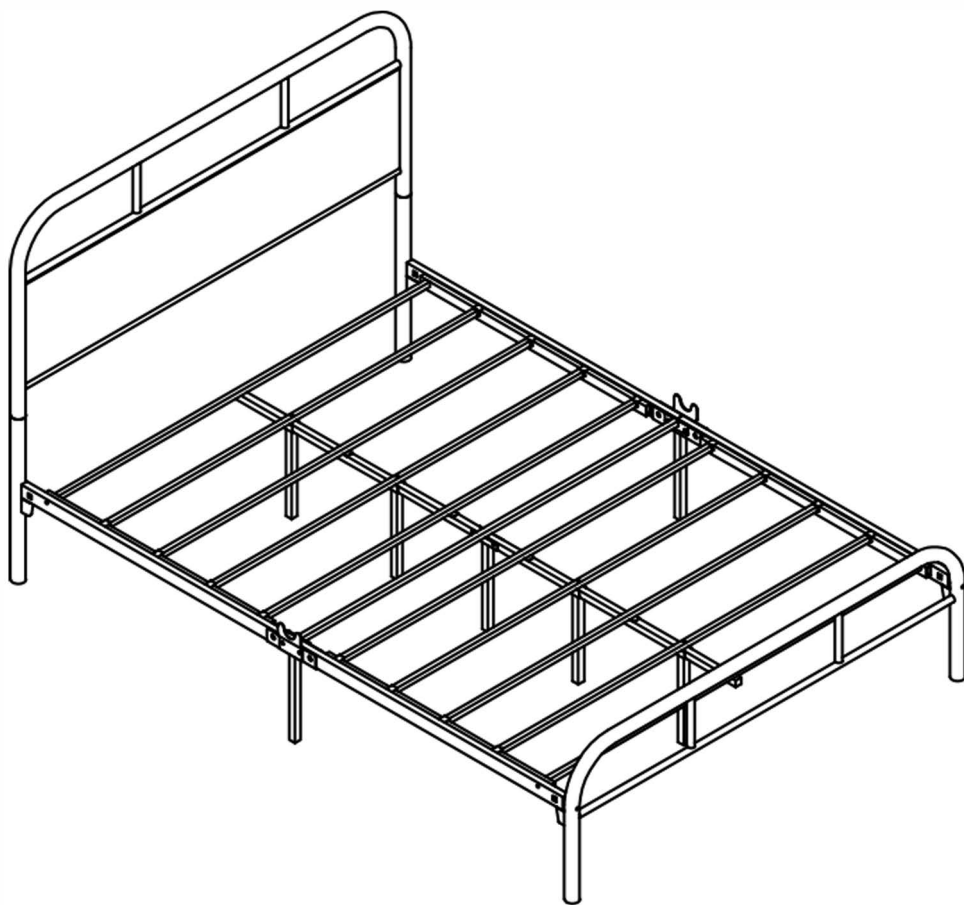


ASSEMBLY INSTRUCTION



WARRANTY:

We warranty this product to be free from defects in materials. This warranty covers one year from the date of original purchase.

NOTES:


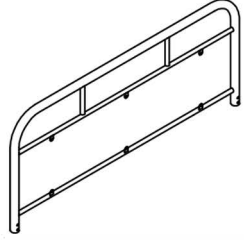
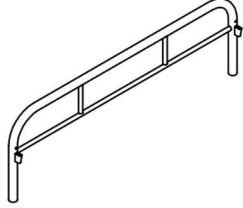





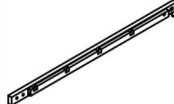

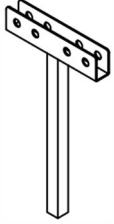

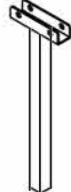












- The item is only intended to be used indoors. The product must be assembled and used in accordance with the provisions of the manual.
- It is recommended that assembly is undertaken by about 2 adults. Please read assembly instructions before assembly and strictly adhere to each step outlined. Estimated assembly time is 30 minutes.

WARNING:

- **WARNING FOR YOUNG CHILDREN** - This product contains small components, please ensure that they are kept away from small children while assembling.

1

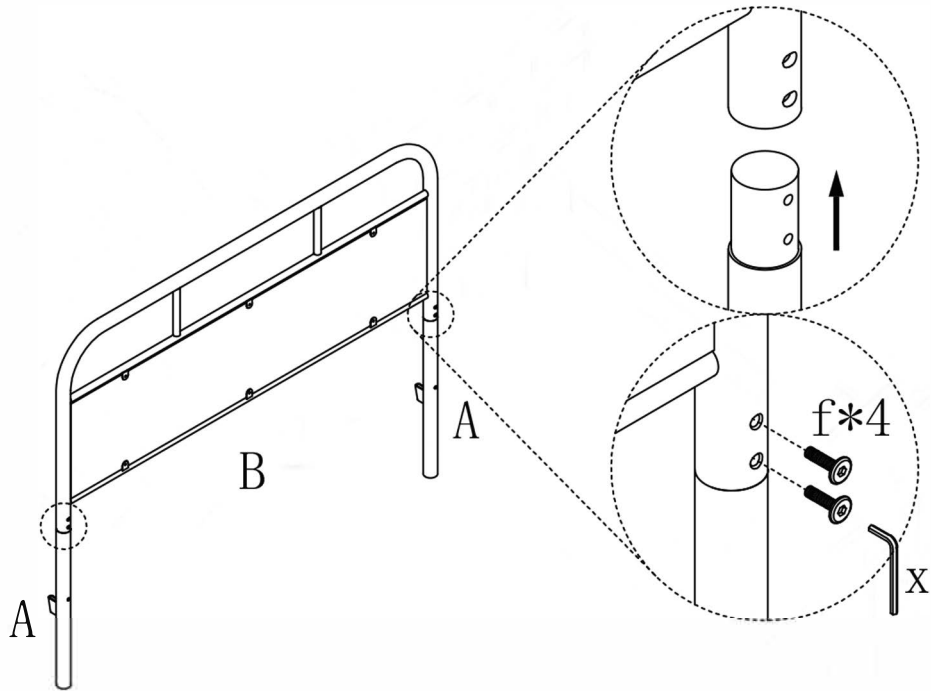
PARTS LIST

| A | B | C | O | P | Q | R | S | T | | | |
|---|---|---|---|---|---|---|---|---|---|---|---|
|  |  |  |  |  |  |  |  |  | | | |
| 2PCS | 1PCS | 1PCS | 1PCS | 4PCS | 4PCS | 2PCS | 2PCS | 2PCS | | | |
| U | V | W | X | Z | a | b | d | f | k | t | u |
|  |  |  |  |  |  |  |  |  |  |  |  |
| 2PCS | 2PCS | 4PCS | 1PCS | 2PCS | 1/4*85 4PCS | 1/4*50 8PCS | 1/4*40 10PCS | 1/4*19 4PCS | 4PCS | 4PCS | 1/4 4PCS |
| v | w | x | y | | | | | | | | |
|  |  |  |  | | | | | | | | |
| 4PCS | 1/4 10PCS | 1/4 2PCS | 2PCS | | | | | | | | |

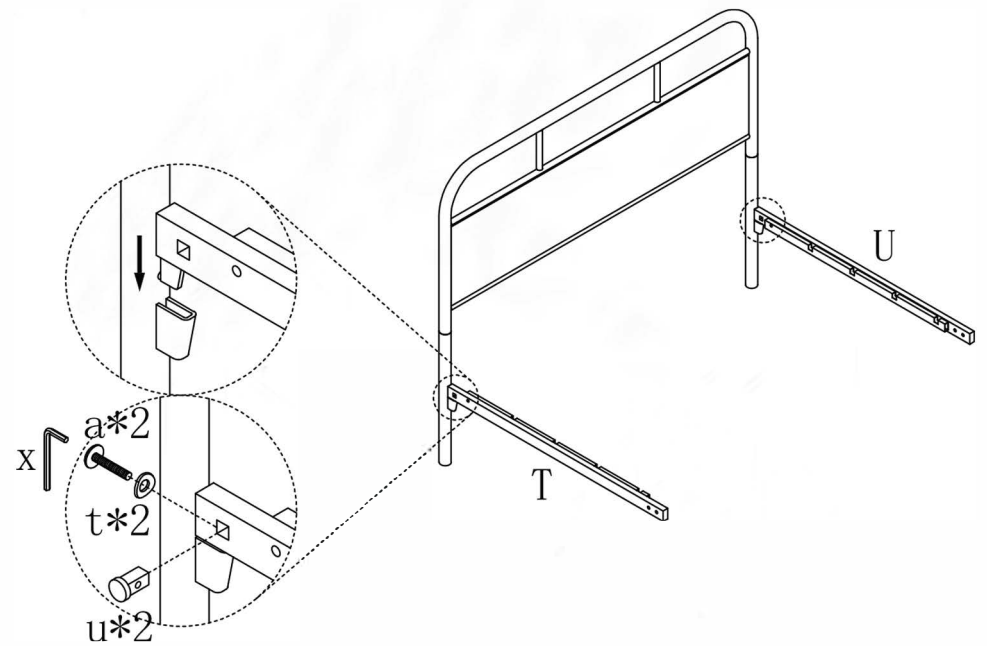
2

NOTE: PLEASE DO NOT TIGHTEN THE BOLTS UNTIL ALL FIXED

①



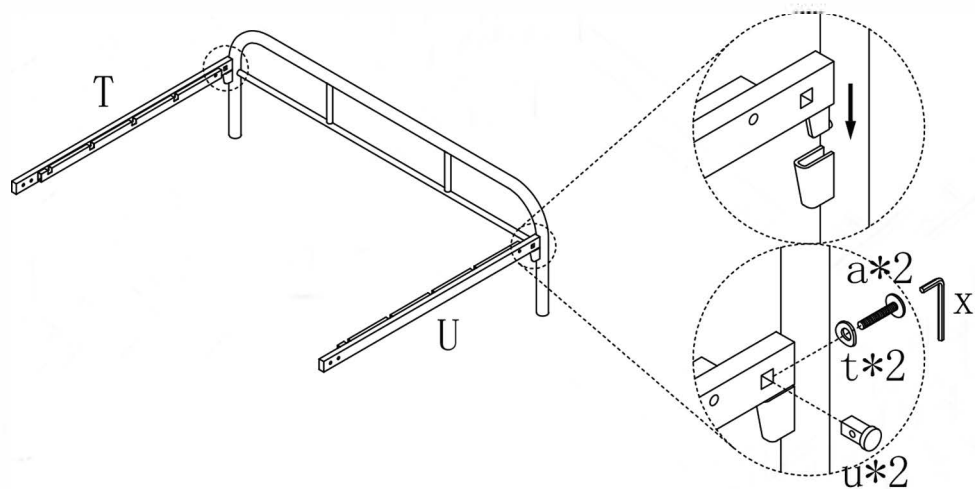
②



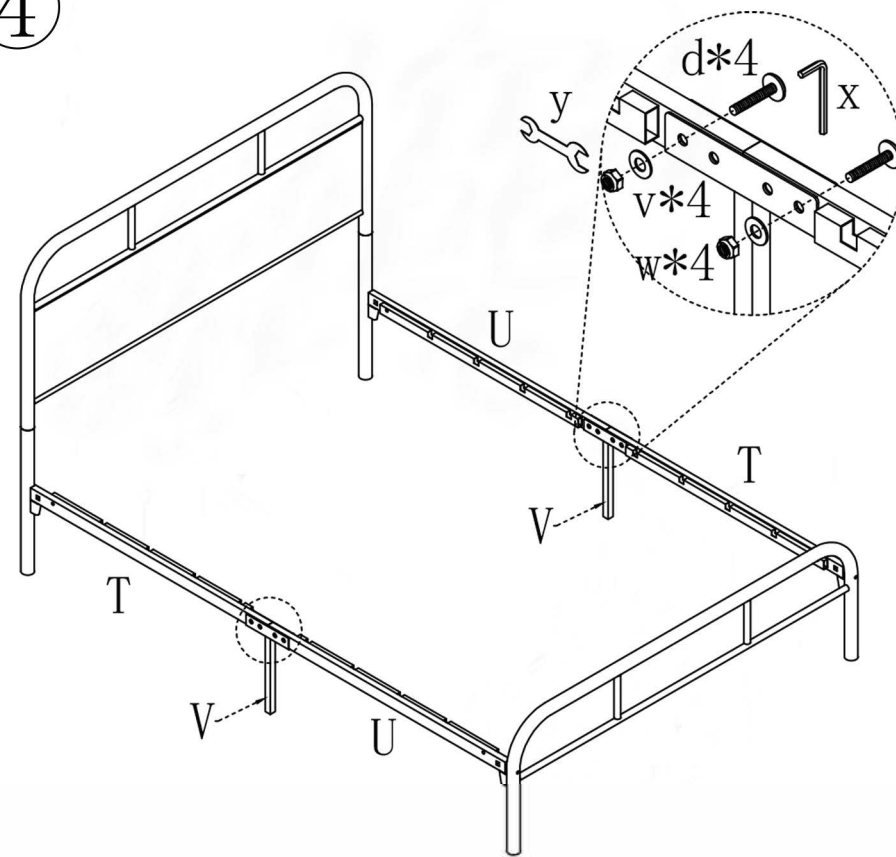
3

NOTE: PLEASE DO NOT TIGHTEN THE BOLTS UNTIL ALL FIXED

3



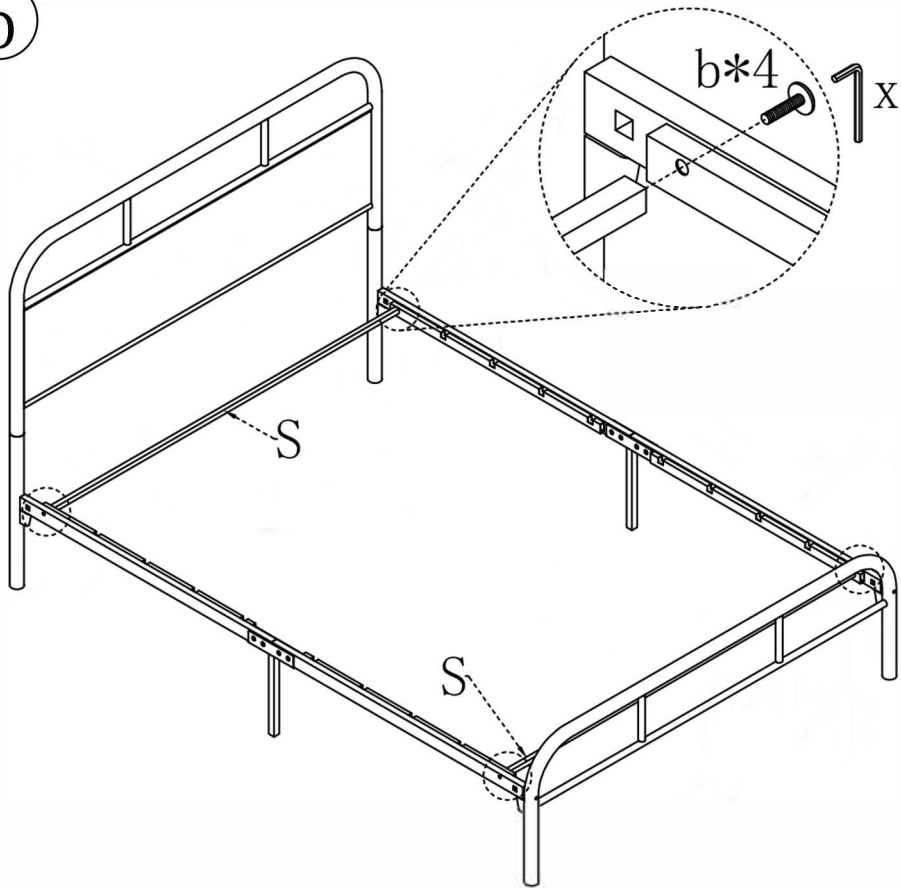
4



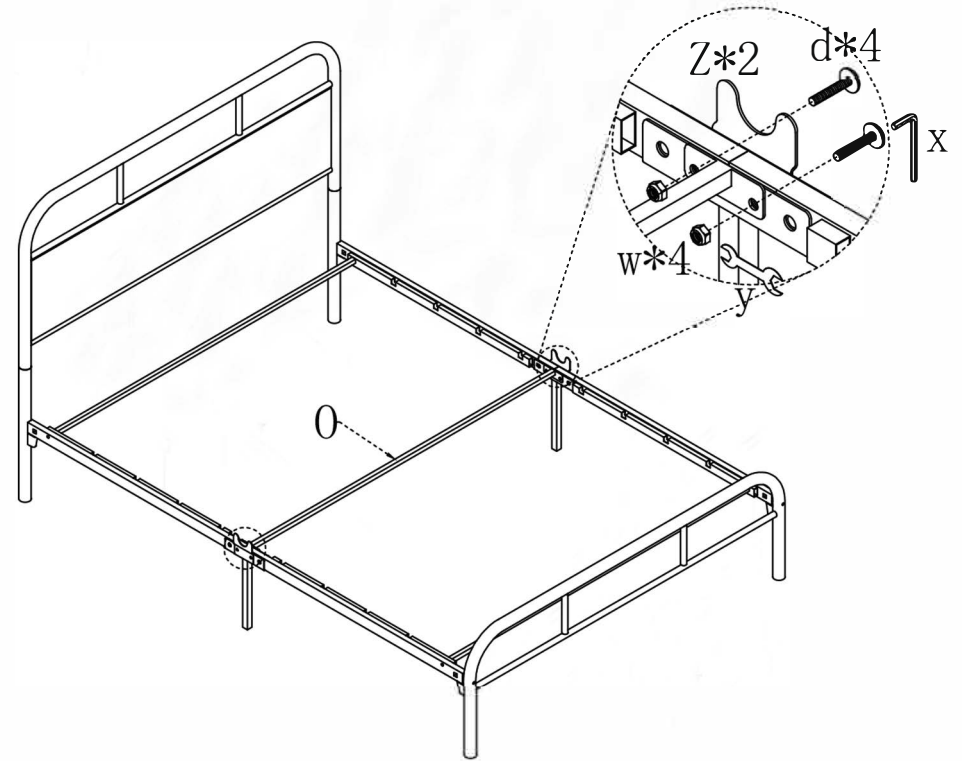
4

NOTE: PLEASE DO NOT TIGHTEN THE BOLTS UNTIL ALL FIXED

5



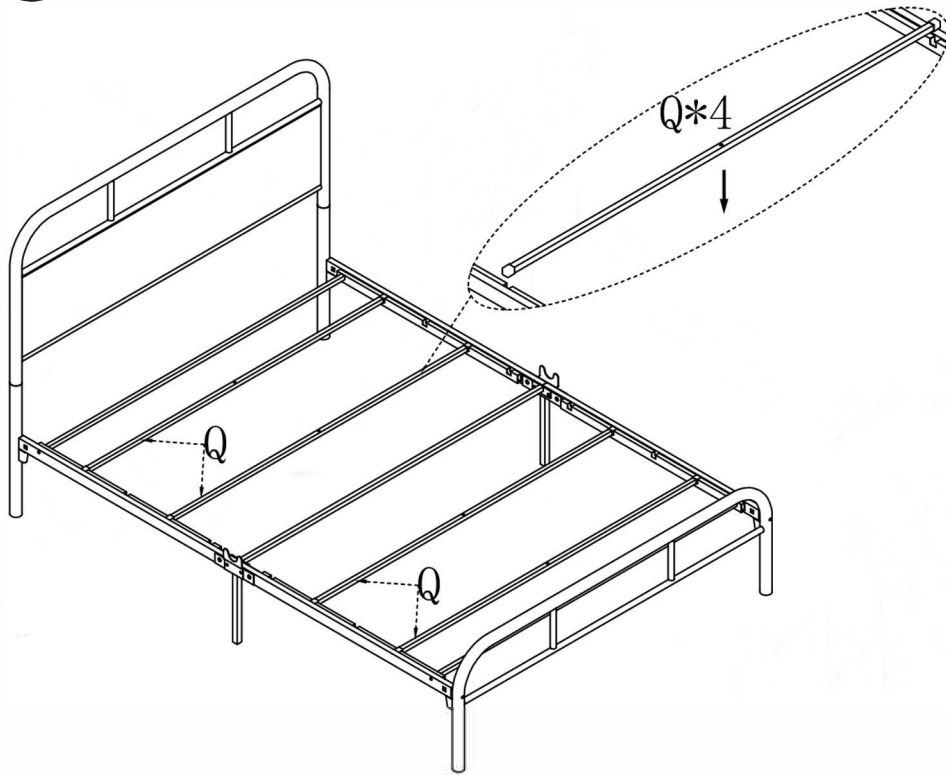
6



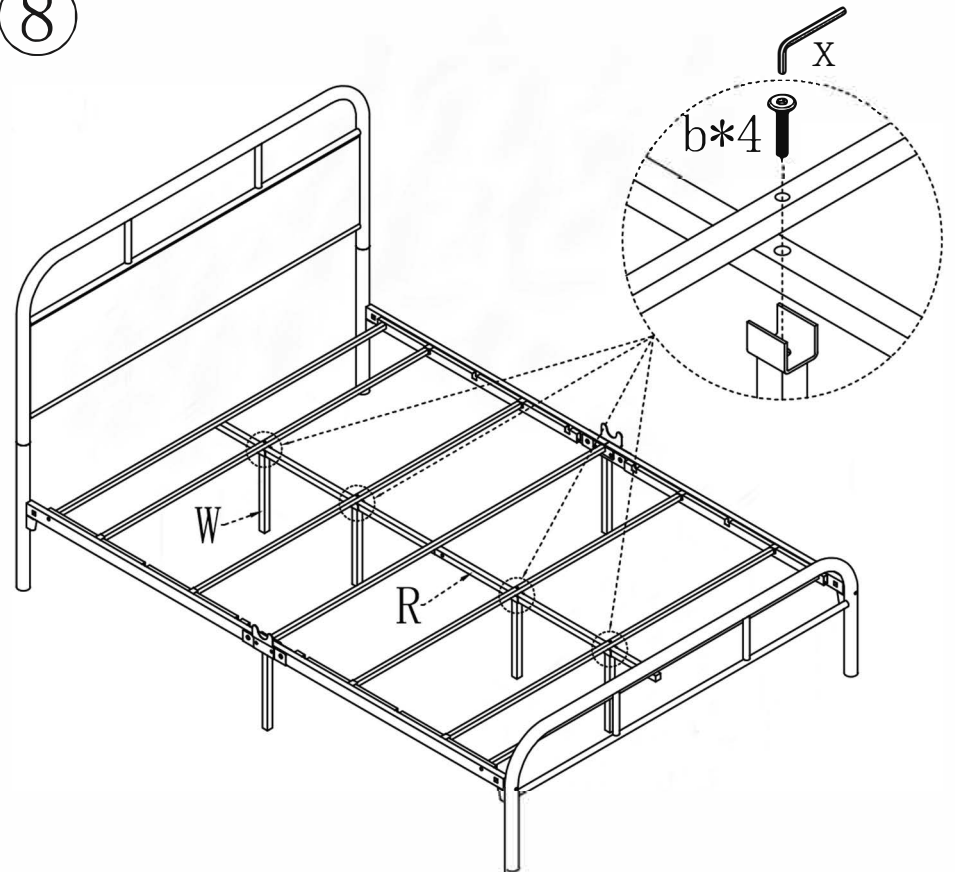
5

NOTE: PLEASE DO NOT TIGHTEN THE BOLTS UNTIL ALL FIXED

7



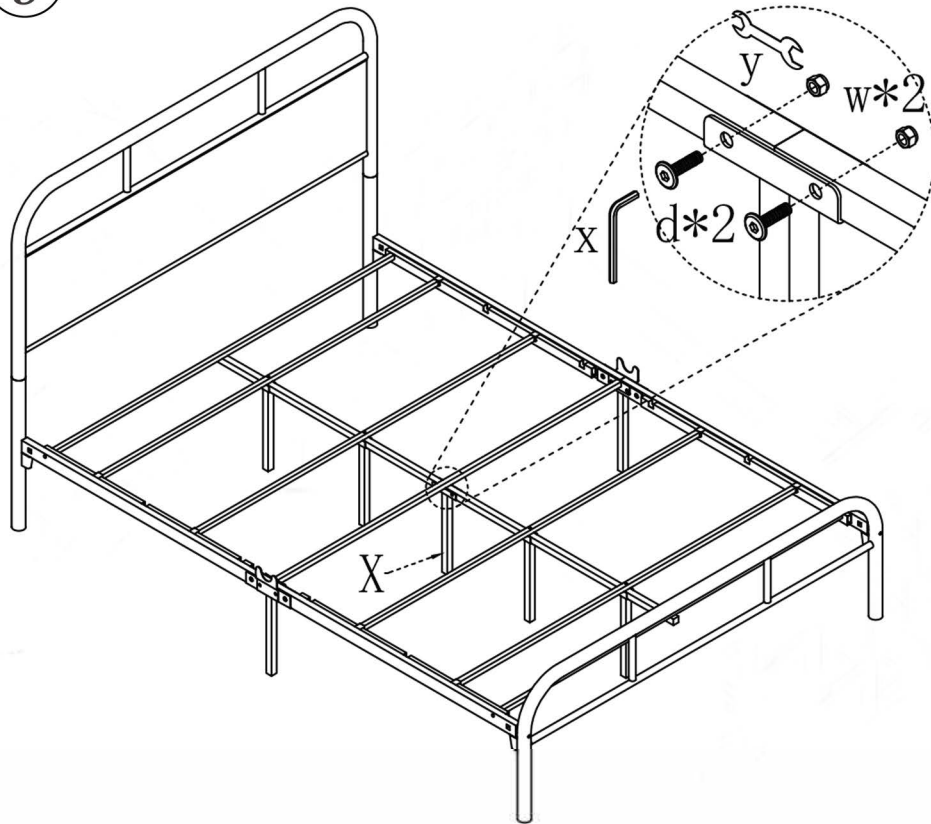
8



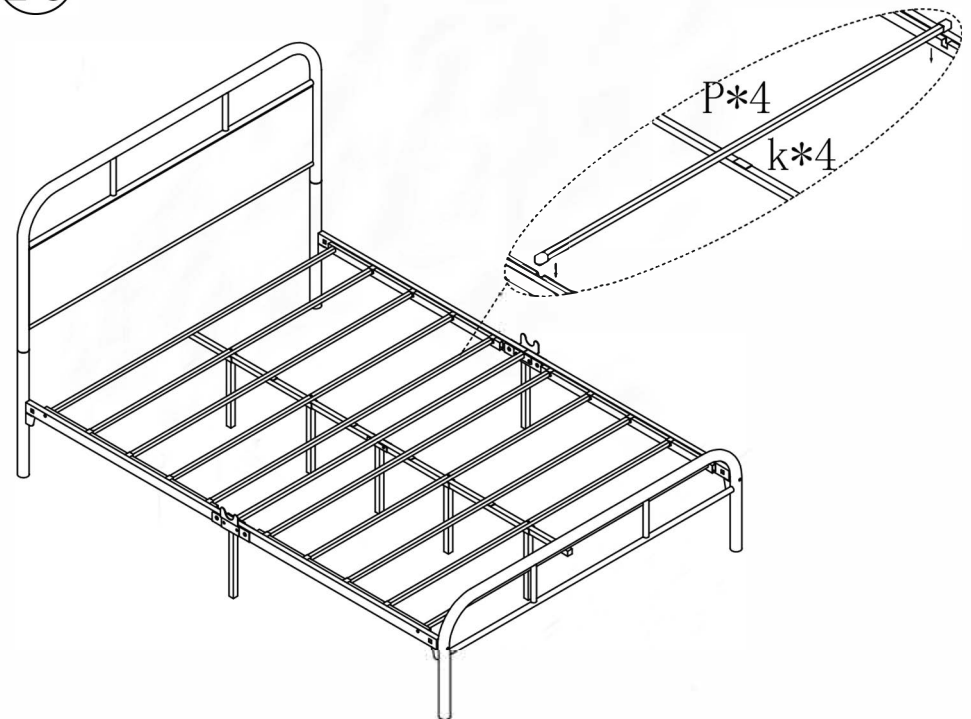
6

NOTE: PLEASE DO NOT TIGHTEN THE BOLTS UNTIL ALL FIXED

9



10



Note: paste the "k" fitting on the surface of the "R" fitting, as shown in the picture in the middle of the "R" fitting.

IMPORTANT: Please completely tighten all the bolts and nuts.