

NEED HELP ?

SCAN

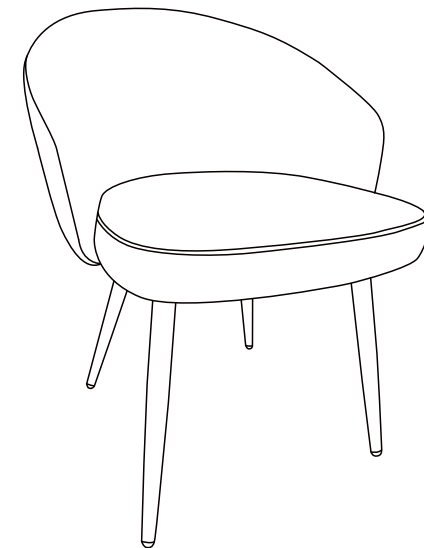


to contact
our CS Team for quick and
responsive service

#missing parts
#installation questions
#shipping enquiries
#return & refund
#valuable feedbacks

ARCHI⊕OLOGY








EST. 2018

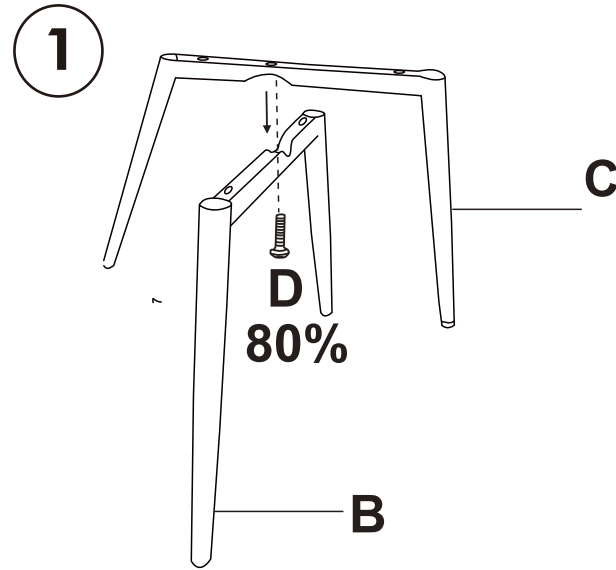


SERENI

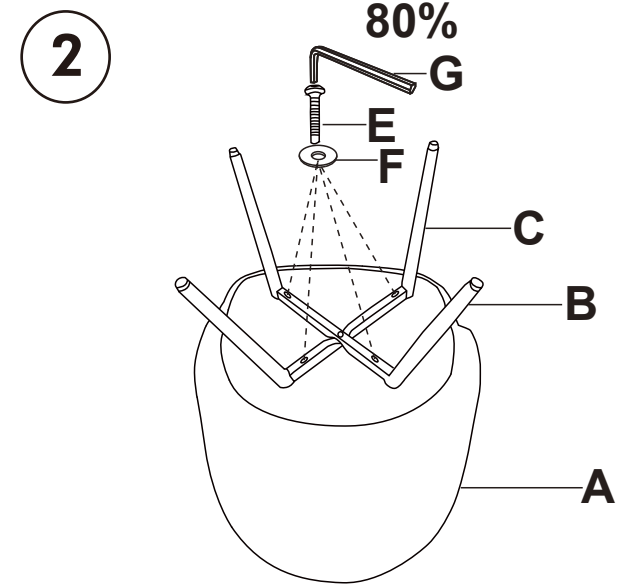
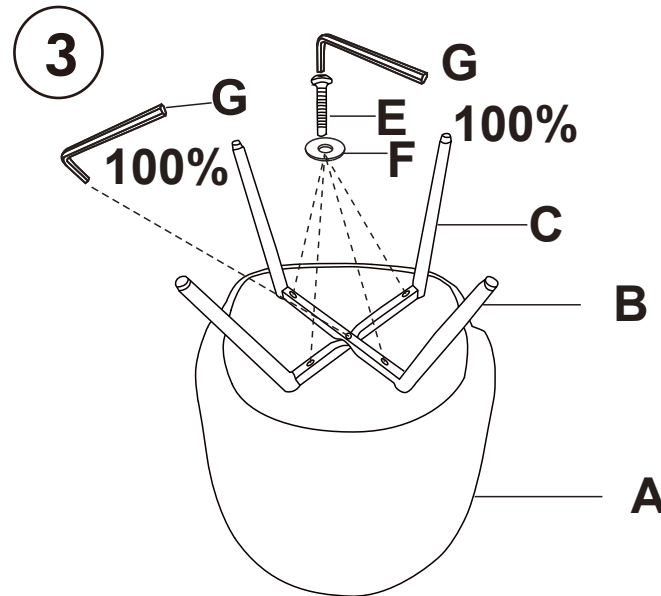
DINING CHAIR (SET OF 2)
AC-A0068S/O/N/G

www.thearchiology.com

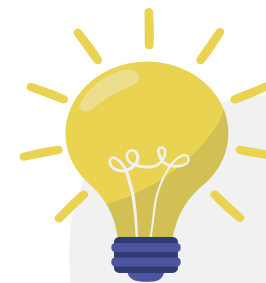
NO	Description		QTY
A	Seat		2
B	Lower Leg		2
C	Upper Leg		2
D	Bolt M6*25MM		2
E	Bolt M6*50MM		8
F	Gasket M6*16*1MM		8
G	Allen Key		2



Join leg (B) and leg (C) together to form a cross and tighten bolt (D) to secure it.



Place the seat (A) up-side-down, The side with longer distance to the cross center should face to the seat front. Attach the leg base under the seat. Loosely tighten all gasket (F) and bolts (E) using allen key (G).



Loosely tighten the bolts to fix the positions first.

Securely tighten the bolts until everything is put together.