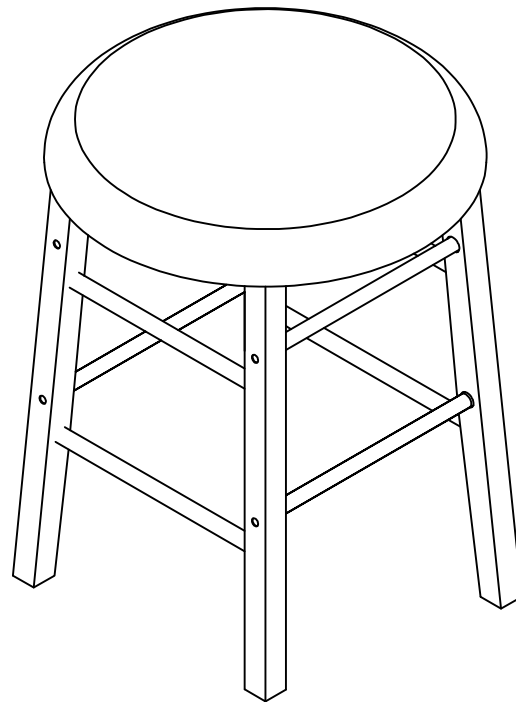


ASSEMBLY INSTRUCTIONS

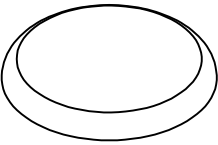
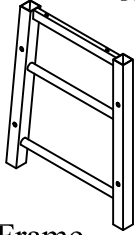
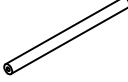
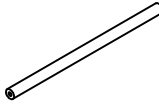
Breakfast Stool




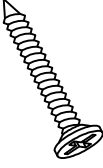


NOTE TO CUSTOMERS:

- For ease and speed of assembly we recommend that before you commence each step of the assembly that you identify all the parts required to complete that step.
- We recommend that where possible you allow sufficient space to assemble the item as close as possible to the place where it will be once assembled.
- For the protection of your furniture we recommend that the product is placed on protected surfaces during assembly to prevent any damage.
- During assembly do not over tighten, as this may damage the product.
- Please ensure you retain all the product packaging until the item completely assembled.
- Please periodically check all fittings and re-tighten as necessary.
- It is recommended that this item should be assembled by two adults.

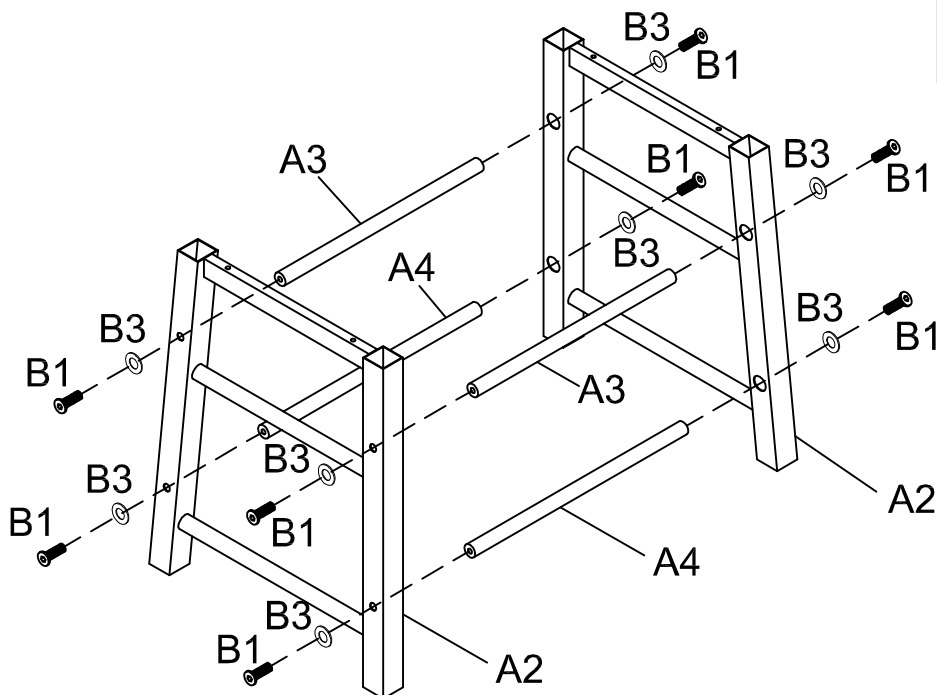
PART LIST

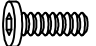

A1. Quantity of 1x2  Seat Cushion	A2. Quantity of 2x2  Side Frame	A3. Quantity of 2x2  Upper Connect Bar	A4. Quantity of 2x2  Lower Connect Bar
--	--	--	---

HARDWARE LIST

B1. Quantity of 8x2  Bolt	B2. Quantity of 4x2  Screw	B3. Quantity of 8x2  Flat Washer	 Allen Wrench
--	--	---	---

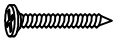
Step 1

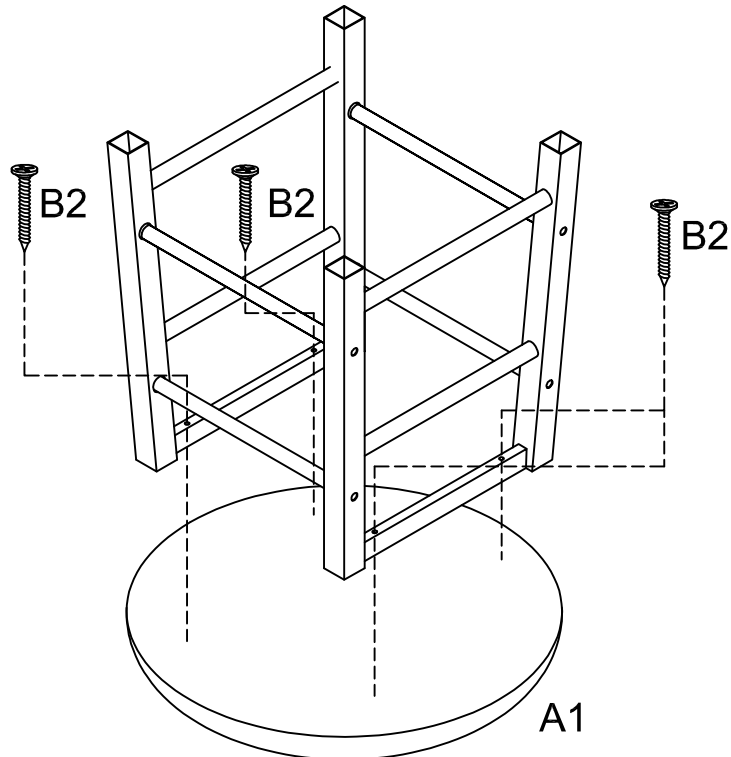


B1		8pcs
B3		8pcs

Assemble Connect Bars A3&A4 to Side Frames A2 using Bolts B1 and Flat Washers B3.
 Note: Please do not tighten Bolts B1 until Step 2.

Step 2

B2  4pcs

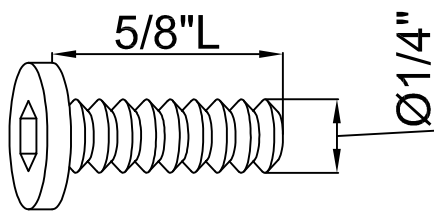


Attach and tighten Side Frames A2 to Seat Cushion A1 using Screws B2.

Note: Please place the stool to the floor to check if it is stable before tighten Bolts B1.

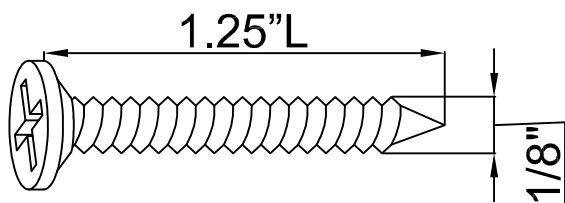
APPENDIX: Dimension of hardware in this AI.

B1



Bolt

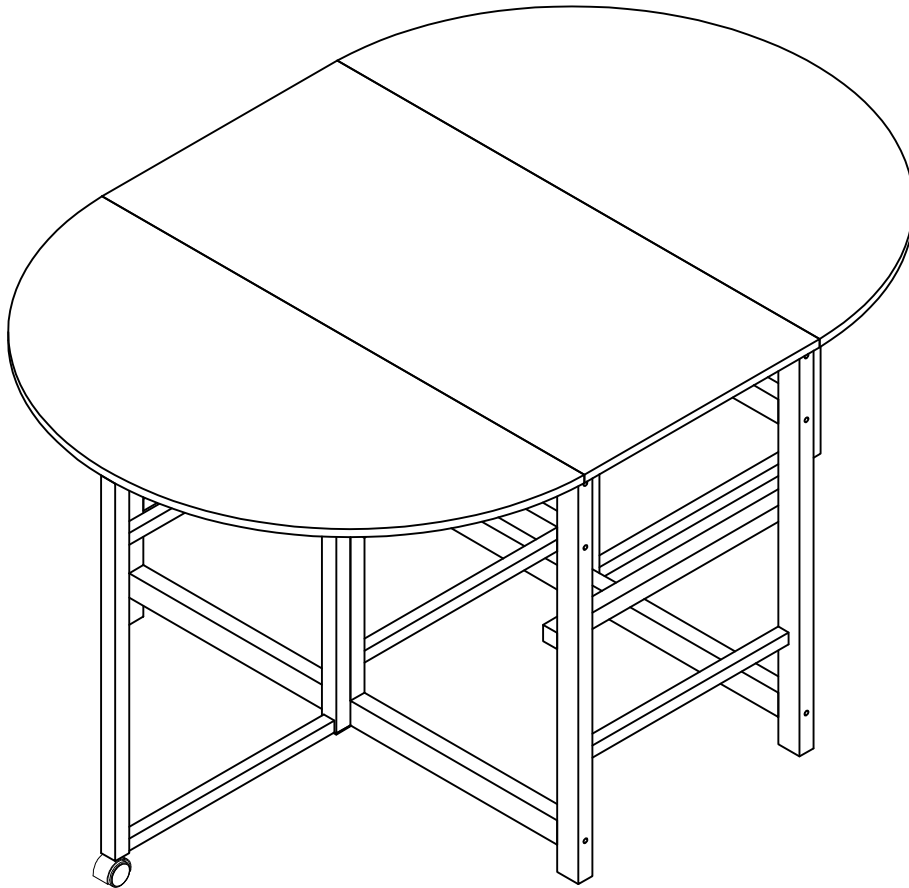
B2



Screw

ASSEMBLY INSTRUCTIONS

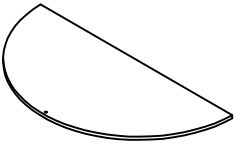
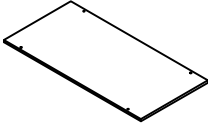
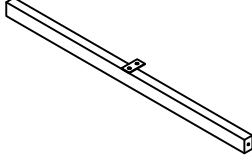
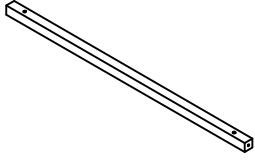
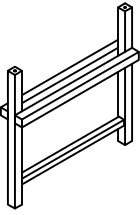
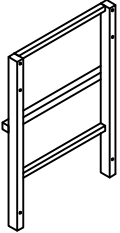
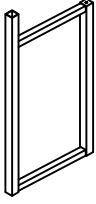
Breakfast Table



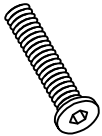


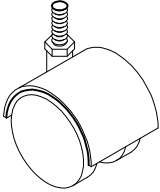
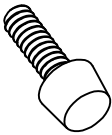
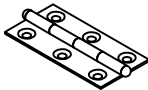


NOTE TO CUSTOMERS:

- For ease and speed of assembly we recommend that before you commence each step of the assembly that you identify all the parts required to complete that step.
- We recommend that where possible you allow sufficient space to assemble the item as close as possible to the place where it will be once assembled.
- For the protection of your furniture we recommend that the product is placed on protected surfaces during assembly to prevent any damage.
- During assembly do not over tighten, as this may damage the product.
- Please ensure you retain all the product packaging until the item completely assembled.
- Please periodically check all fittings and re-tighten as necessary.
- It is recommended that this item should be assembled by two adults.

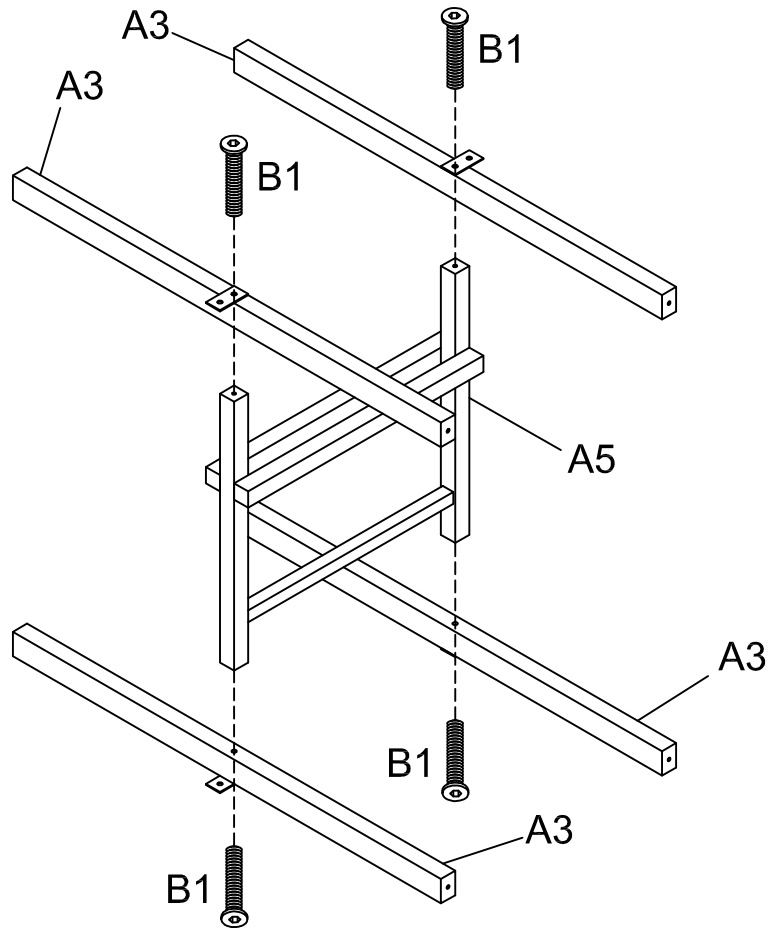
PART LIST

<p>A1. Quantity of 2</p>  <p>Side Table Top</p>	<p>A2. Quantity of 1</p>  <p>Table Top</p>	<p>A3. Quantity of 4</p>  <p>Lower Connect Bar</p>	<p>A4. Quantity of 2</p>  <p>Upper Connect Bar</p>
<p>A5. Quantity of 1</p>  <p>Middle Frame</p>	<p>A6. Quantity of 2</p>  <p>Side Frame</p>	<p>A7. Quantity of 2</p>  <p>Side Frame</p>	

HARDWARE LIST

<p>B1. Quantity of 16</p>  <p>Bolt</p>	<p>B2. Quantity of 8</p>  <p>Bolt</p>	<p>B3. Quantity of 36</p>  <p>Screw</p>	<p>B4. Quantity of 2</p>  <p>Wheel</p>
<p>B5. Quantity of 2</p>  <p>End Cap</p>	<p>B6. Quantity of 6</p>  <p>Hinge</p>	 <p>Allen Wrench</p>	 <p>Open Spanner</p>

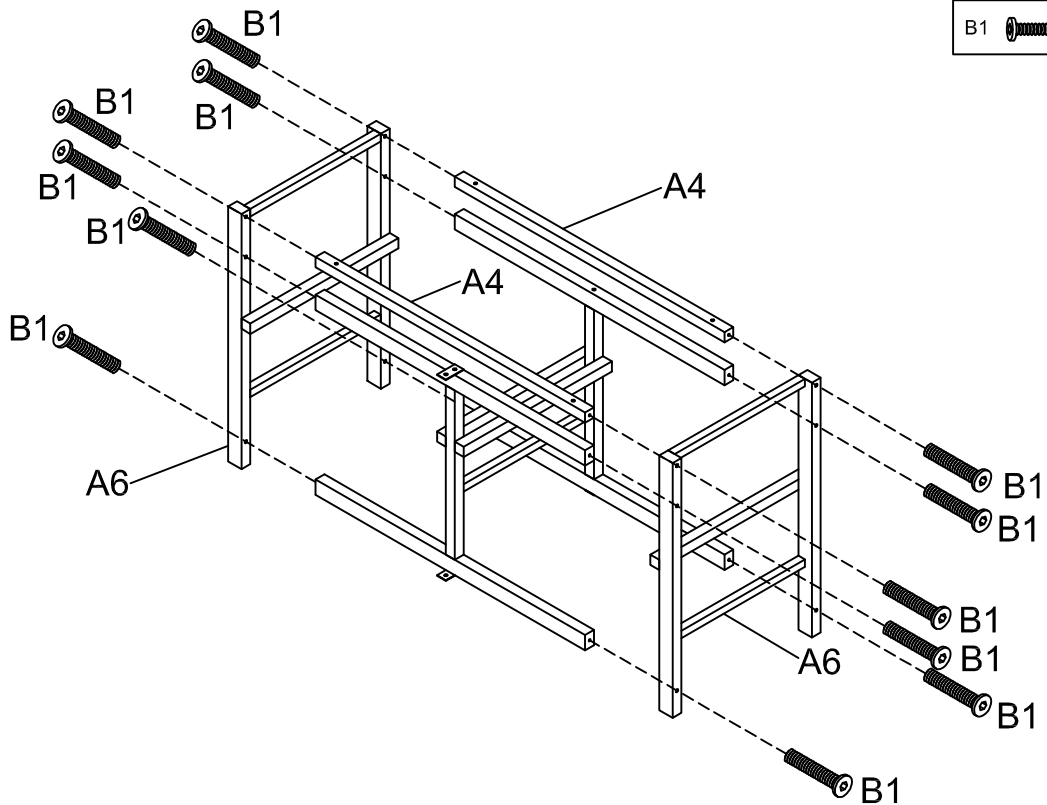
Step 1



B1  4pcs

Assemble Middle Frame A5 to Lower Connect Bars A3 using Bolts B1.
Note: Please do not tighten all bolts until Step 6.

Step 2



B1  12pcs

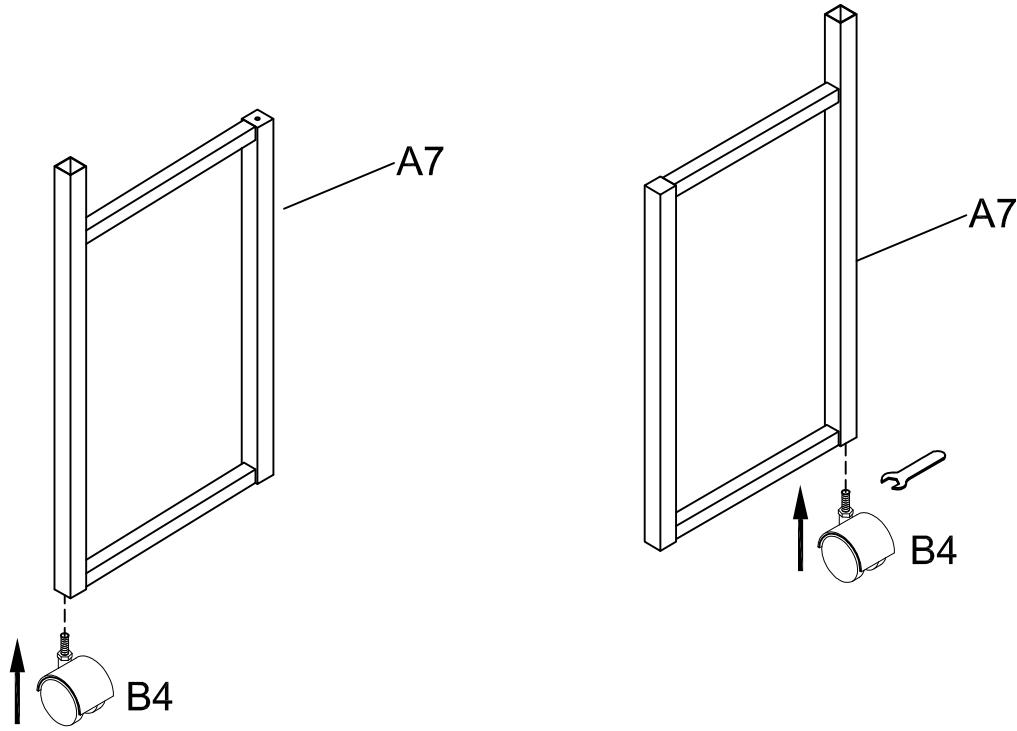
Assemble Connect Bars A3&A4 to Side Frame A6 using Bolts B1.
Note: Please do not tighten all bolts until Step 6.

Step 3

B4



2pcs



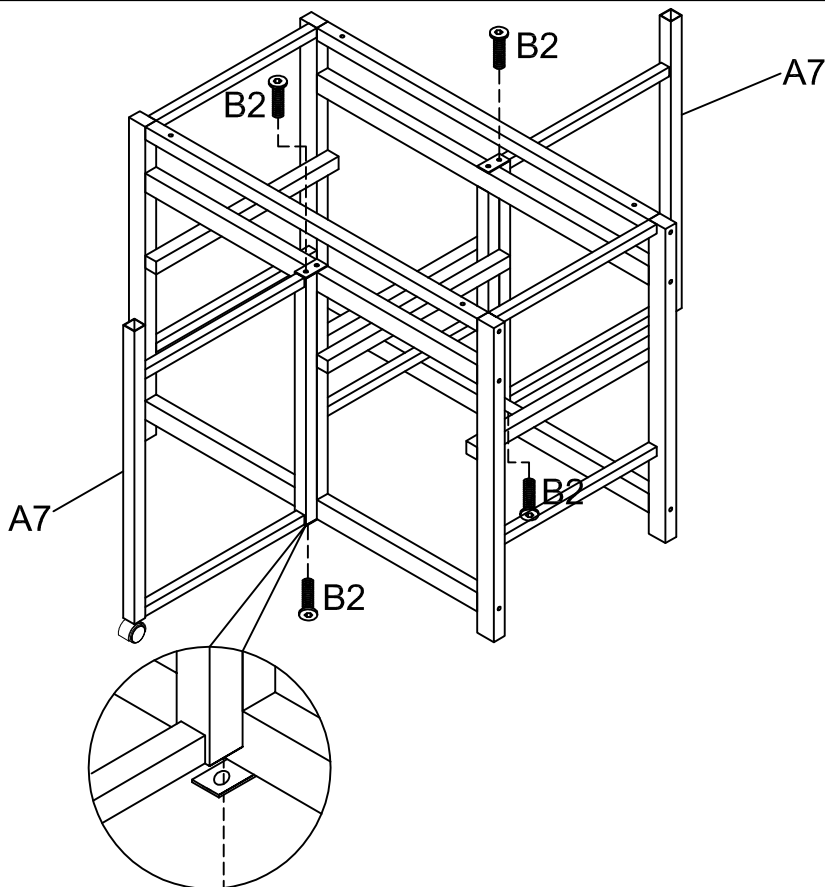
Attach and tighten Wheels B4 to Side Frames A7.

Step 4

B2



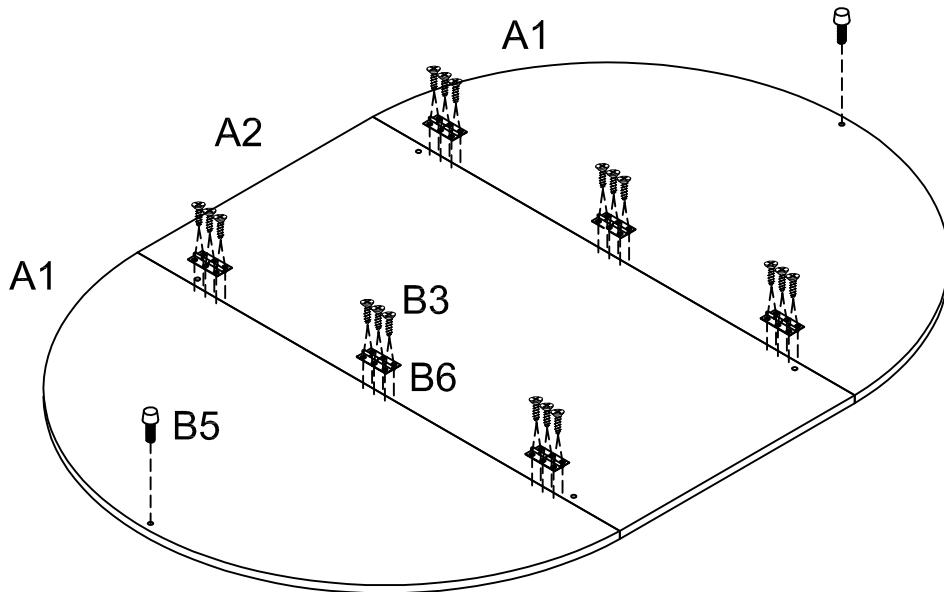
4pcs






Assemble Side Frames A7 to Connect Bars A3 using Bolts B2.

Note: Please do not tighten all bolts until Step 6.

Step 5

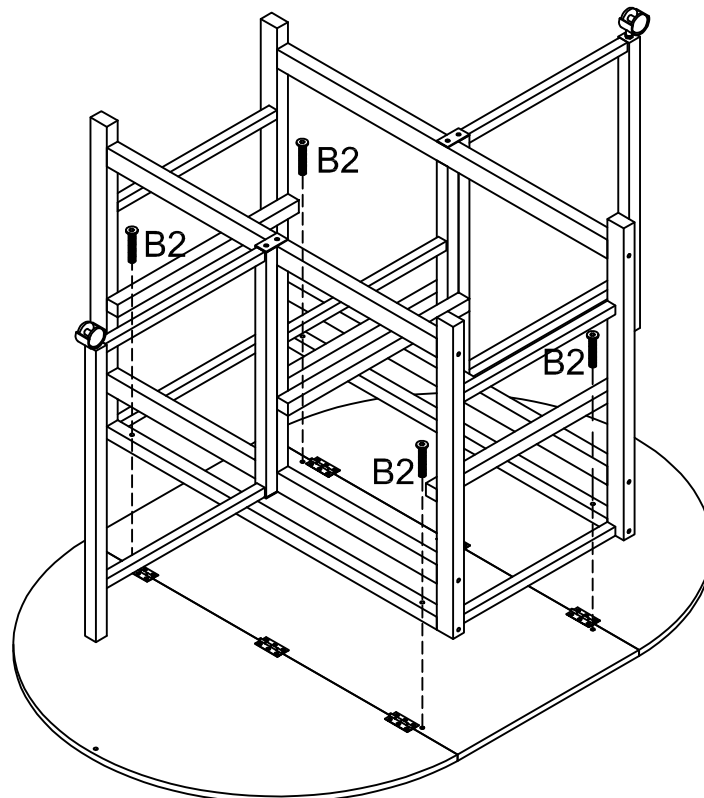


B3		36pcs
B5		2pcs
B6		6pcs

Attach Hinges B6 to Table Tops A2&A1, then attach End Cap B5 to Side Table Tops A1.

Note: Please do not tighten all bolts until Step 6.

Step 6

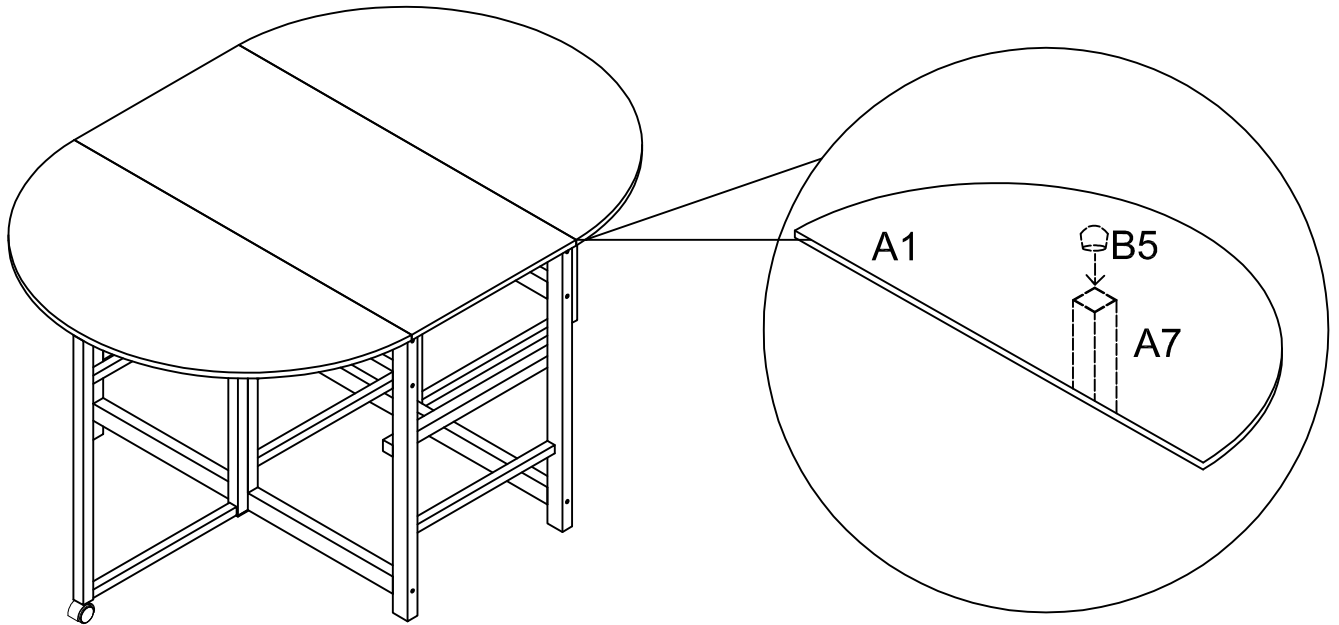


B2		4pcs
----	---	------

Assemble Connect Bars A4 to Table Top A2 using Bolts B2.

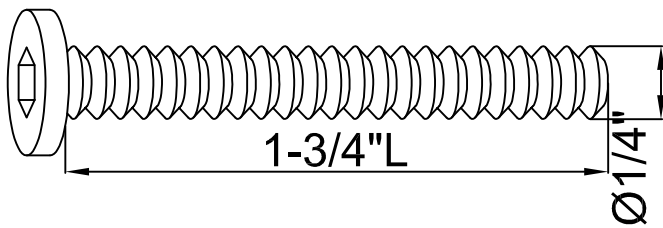
Note: Please do not tighten Bolts B2 until all of them are attached, then place the table to the floor to check if it is stable before tighten all bolts in 100%.

Step 7



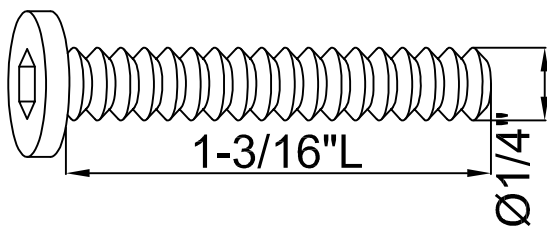
APPENDIX: Dimension of hardware in this AI.

B1



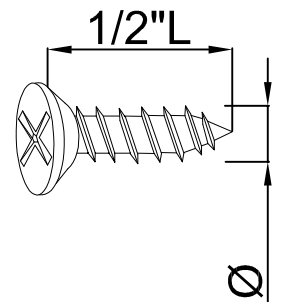
Bolt

B2



Bolt

B3



Bolt