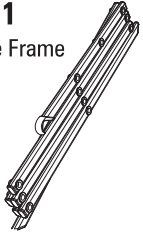


## Parts

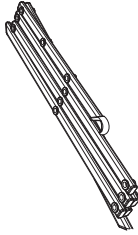
**Ax1**

Side Frame



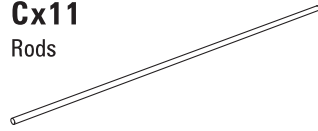
**Bx1**

Side Frame



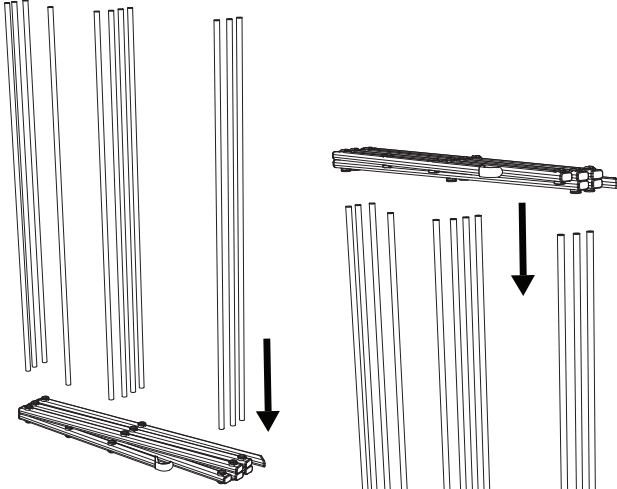
**Cx11**

Rods

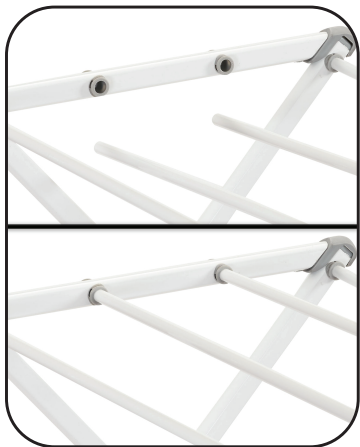
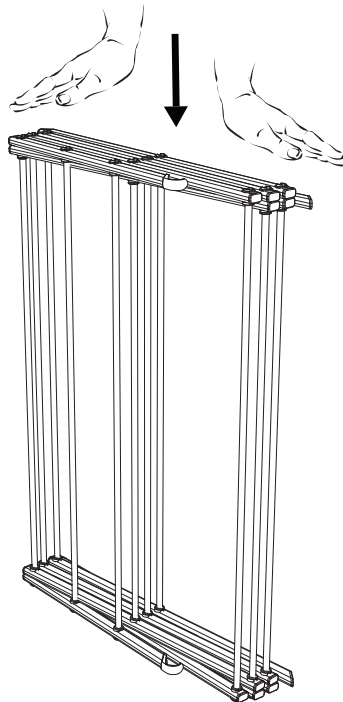


## Assembly

- 1 Place side frame (A or B) on floor and push rods (C) into side frame plastic connectors. Assure that rods are firmly in place before moving to the next step.



Take side frame (A or B) and place it over rods (C) making sure they align with the plastic connectors. Press firmly to connect.



## Assembly con't

- 2 Open dryer and secure the top to the side frames (A and B) as shown below.

