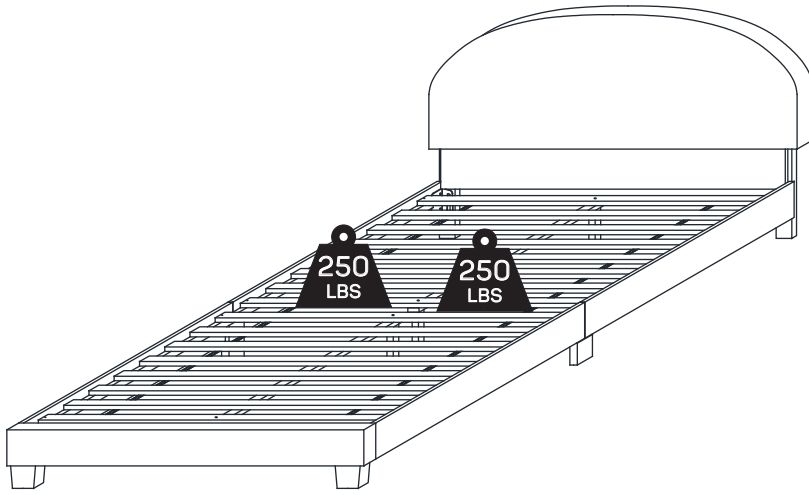


Thank you for your purchase!



KIDS FULL PLATFORM BED

ASSEMBLY INSTRUCTIONS

Before You Begin: Phillips screwdriver required for assembly (Not Included).

Please identify all component parts and hardware pieces required before you begin. Carefully remove all of the components from the packaging and set aside for assembly. Assemble on a soft surface to prevent scratching during assembly.

Caution:

Tighten all components securely before use. Failure to do so may result in personal injury.

DO NOT use any sharp objects to open plastic wrapped components as damage to product or components may result.

Warning:

**CHOKING HAZARD - Small Parts. Adult Assembly Required.
DO NOT ALLOW CHILDREN TO CLIMB ON FURNITURE**

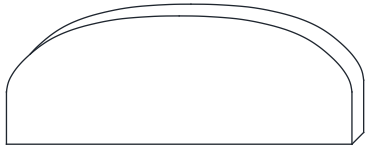
Serious or fatal injuries can occur from furniture tipping over. You must install Tipping Restraint Hardware where included to help

prevent the unit from tipping and causing accidental injury, instability, death or damage. The tipping restraint is intended only as a safety measure, it is not a substitute for proper adult supervision. To help prevent furniture from tipping over it must be permanently attached to the wall. Anti-Tip

Safety Wall Straps suitable for the unit weight and wall materials if not included should be purchased and installed.

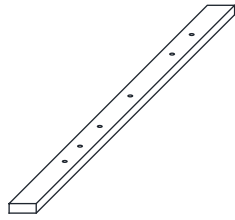
Parts

Part 1: Headboard



1 pc

Part 2: Headboard Legs



2 pcs

Part 3: Headboard Panel



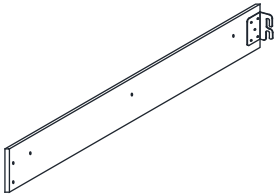
1 pc

Part 4: Footboard



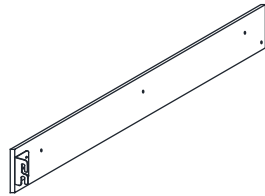
1 pc

Part 5: Side Rails A



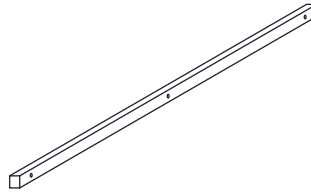
2 pcs

Part 6: Side Rails B



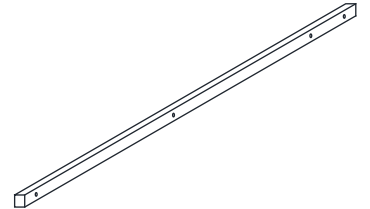
2 pcs

Part 7: Side Rails Support Bar A



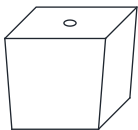
2 pcs

Part 8: Side Rails Support Bar B



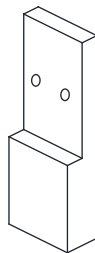
2 pcs

Part 9: Footboard Legs



2 pcs

Part 10: Left and Right Side Legs



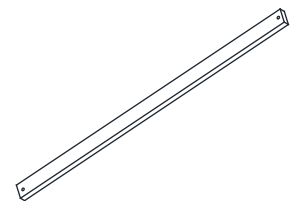
2 pcs

Part 11: Center Legs



4 pcs

Part 12: Center Rail



2 pcs

Part 13: Support Slats



2 sets

Hardware

NOTE: PHILLIPS SCREWDRIVER REQUIRED (NOT INCLUDED)



JCBB M8 X 1"

JCBB M8 x 25mm

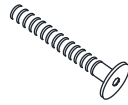
Part A 8 pcs



JCBB M8 X 1 3/8"

JCBB M8 x 35mm

Part B 8 pcs



JCBB M8 X 2 3/8"

JCBB M8 x 60mm

Part C 2 pcs



FLAT WASHER M8 X 6/8"

Flat Washer M8 x 18mm

Part D 10 pcs



SPRING WASHER M8 X 1/2"

Spring Washer M8 x 13mm

Part E 10 pcs



JCBC M6 X 1"

JCBC M6 x 25mm

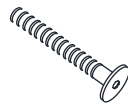
Part F 4 pcs



JCBC M6 X 1 1/2"

JCBC M6 x 40mm

Part G 14 pcs



JCBC M6 X 2 1/2"

JCBC M6 x 65mm

Part H 4 pcs



FLAT WASHER M6 X 6/8"

Flat Washer M6 x 19mm

Part I 4 pcs



SPRING WASHER M6 X 1/2"

Spring Washer M6 x 12mm

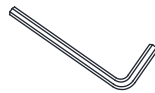
Part J 4 pcs



CSK SCREW M4 X 1 1/2"

CSK Screw M4 x 38mm

Part K 8 pcs



Allen Key M4

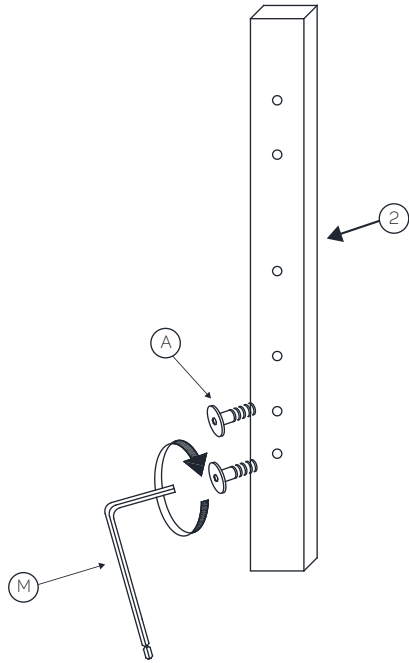
Part L 1 pc



Allen Key M5

Part M 1 pc

STEP 1:

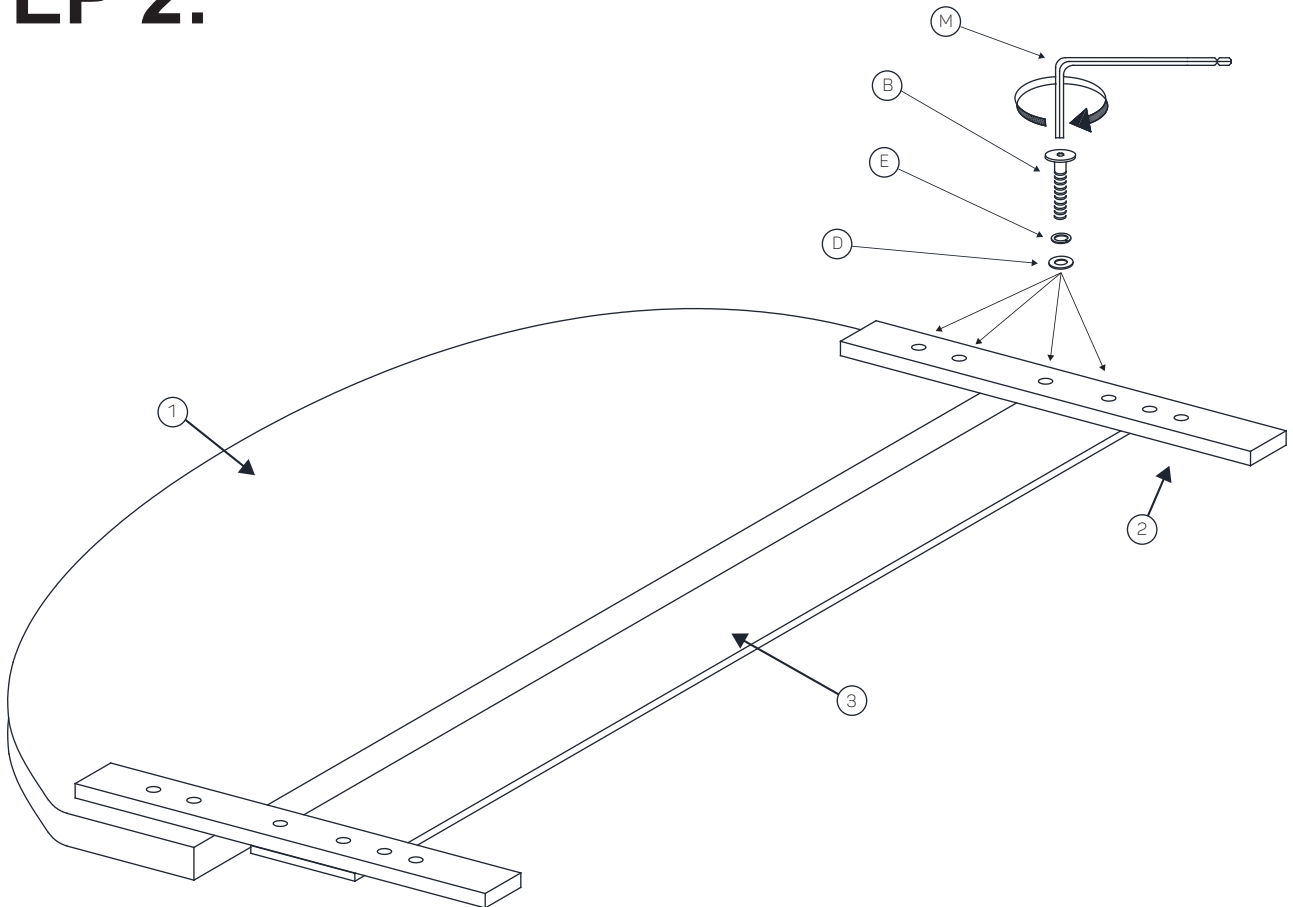


NOTE: Do not tighten Part A in this step.

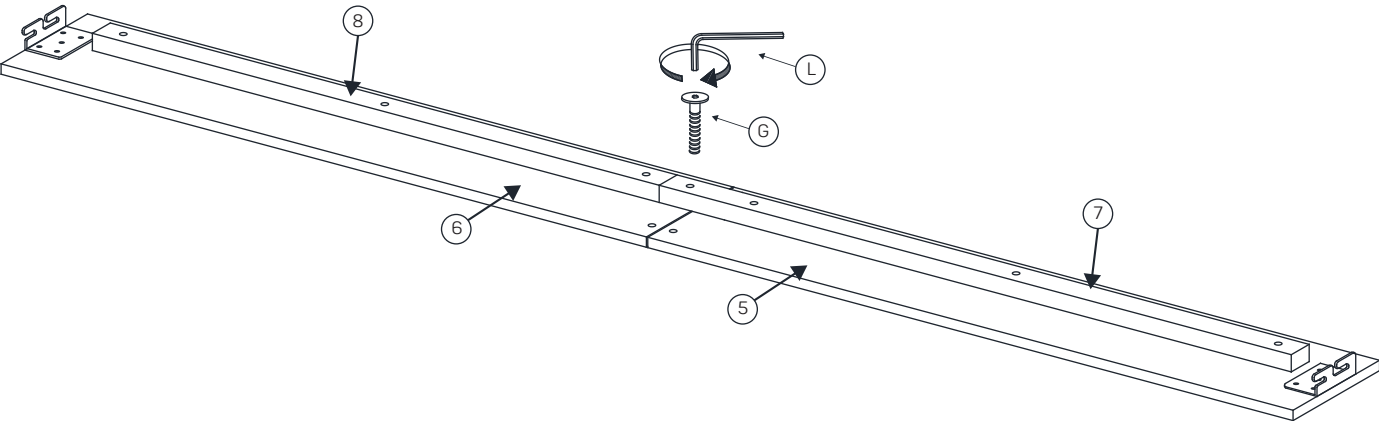
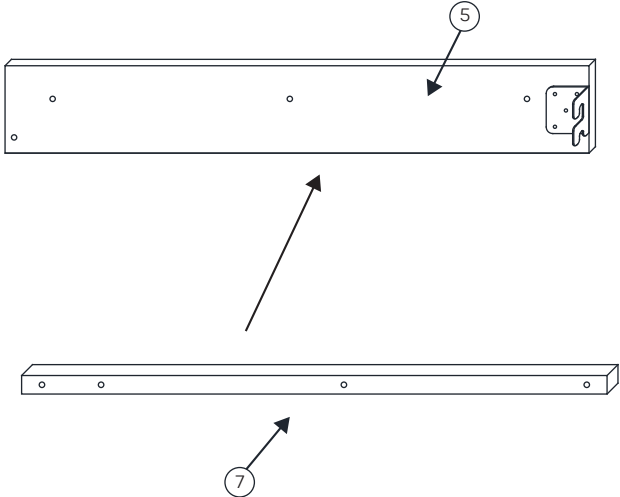
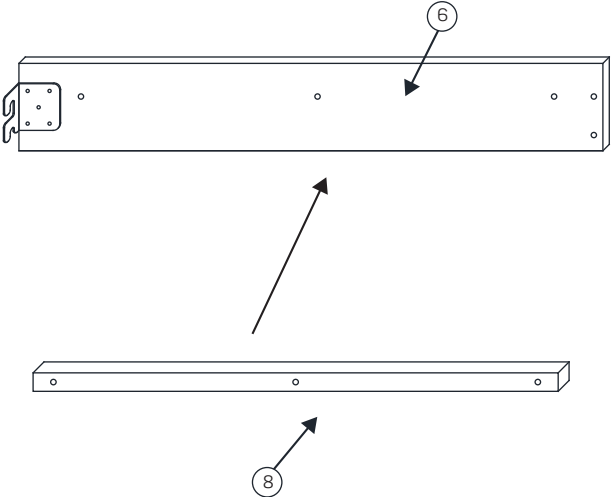
X2

X2

STEP 2:

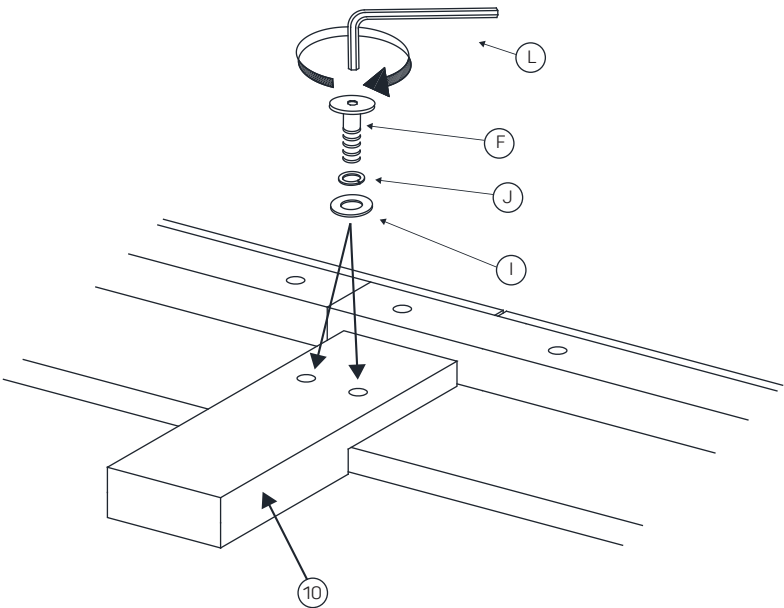


STEP 3:

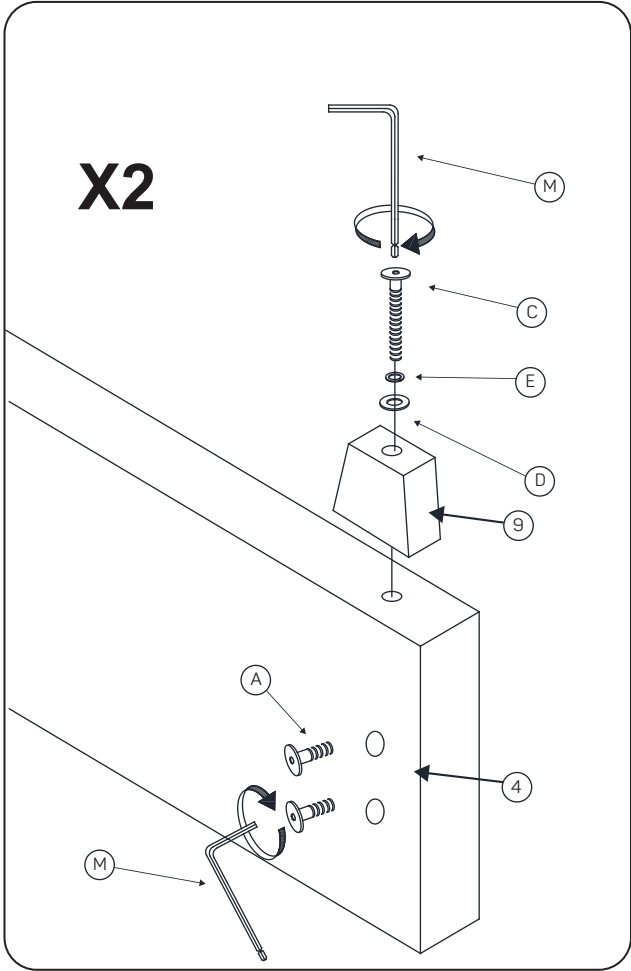


STEP 4:

X2



STEP 5:

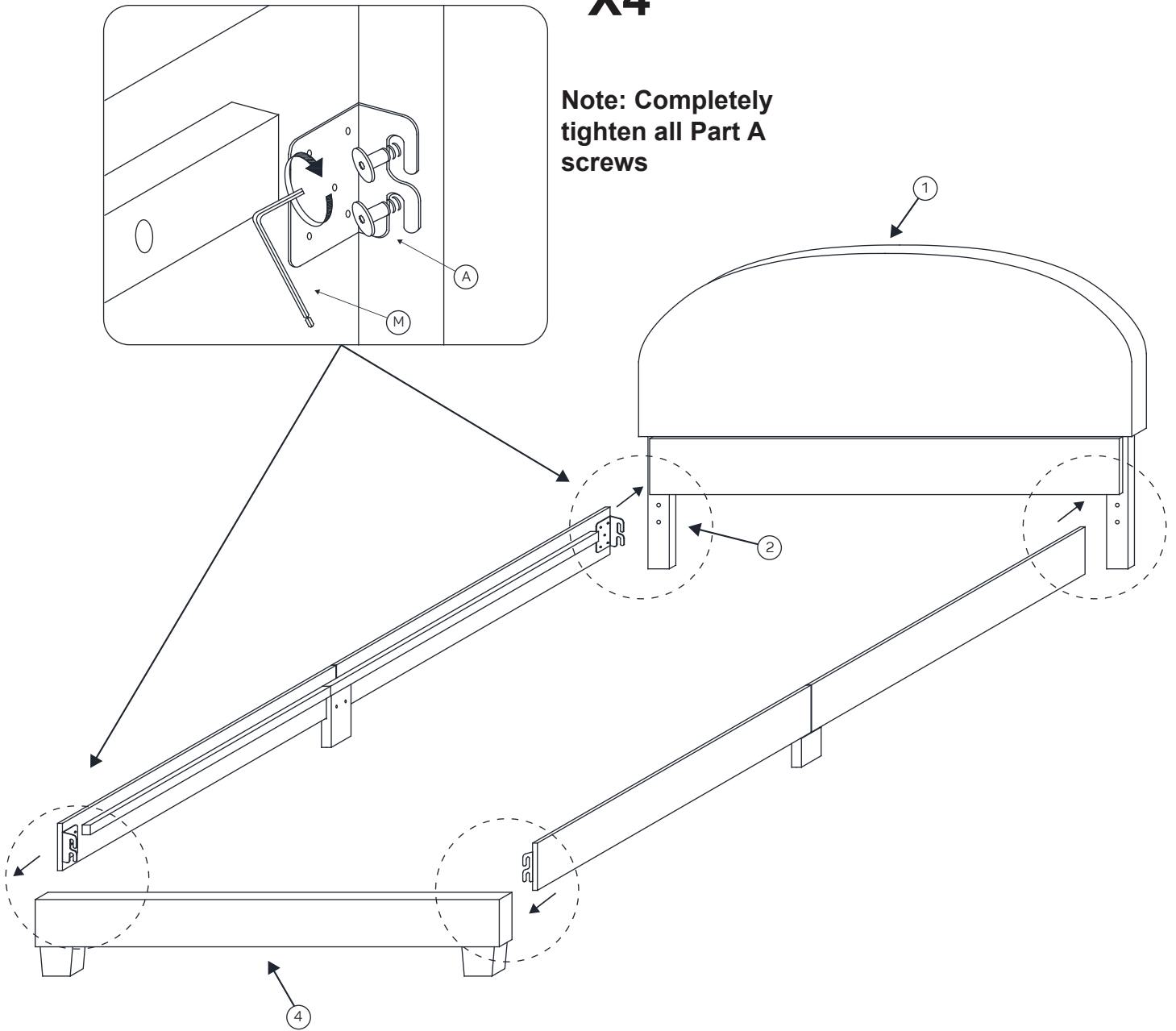


NOTE: Do not tighten Part A in this step.

STEP 6:

X4

Note: Completely tighten all Part A screws

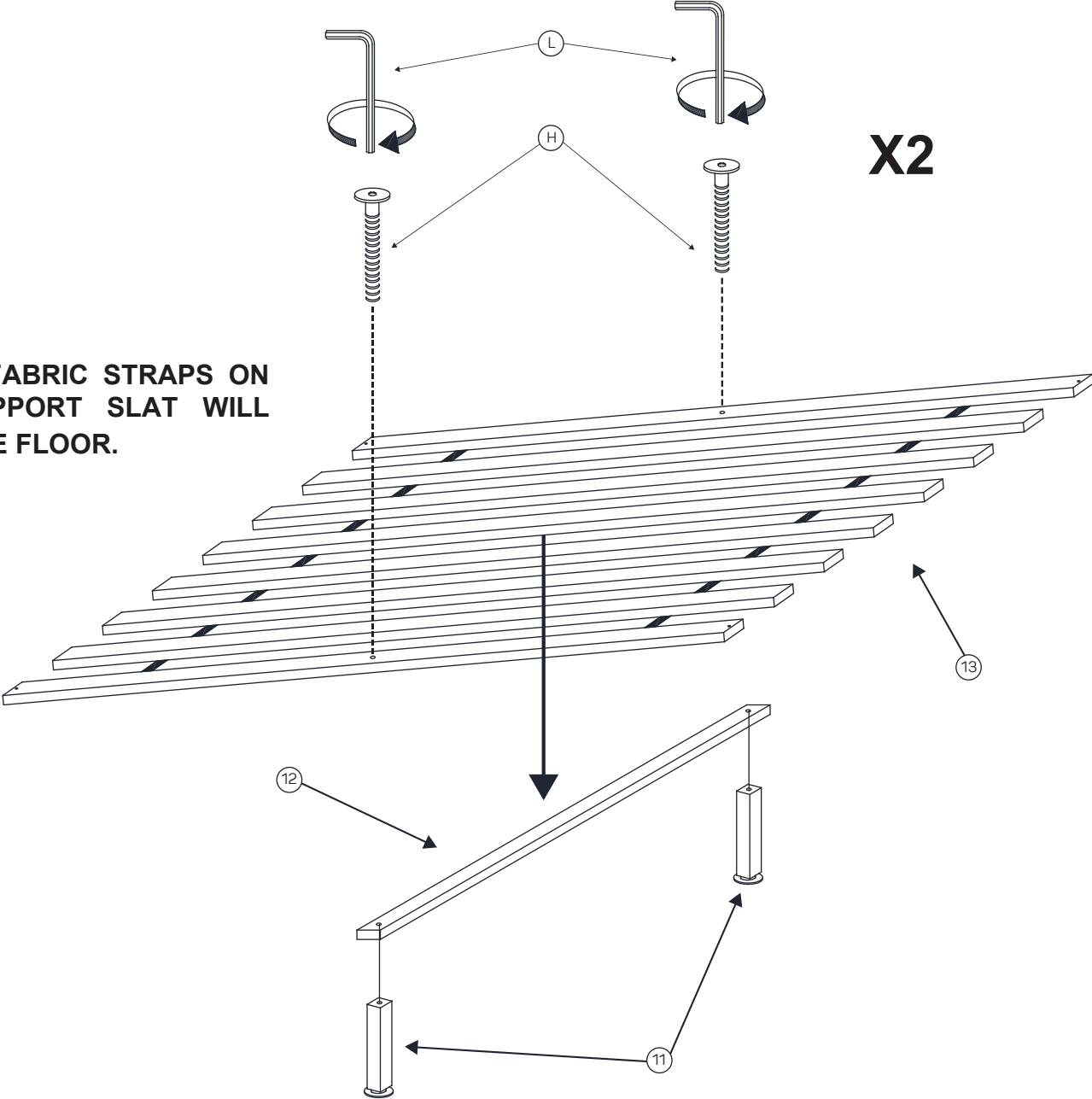


STEP 7:

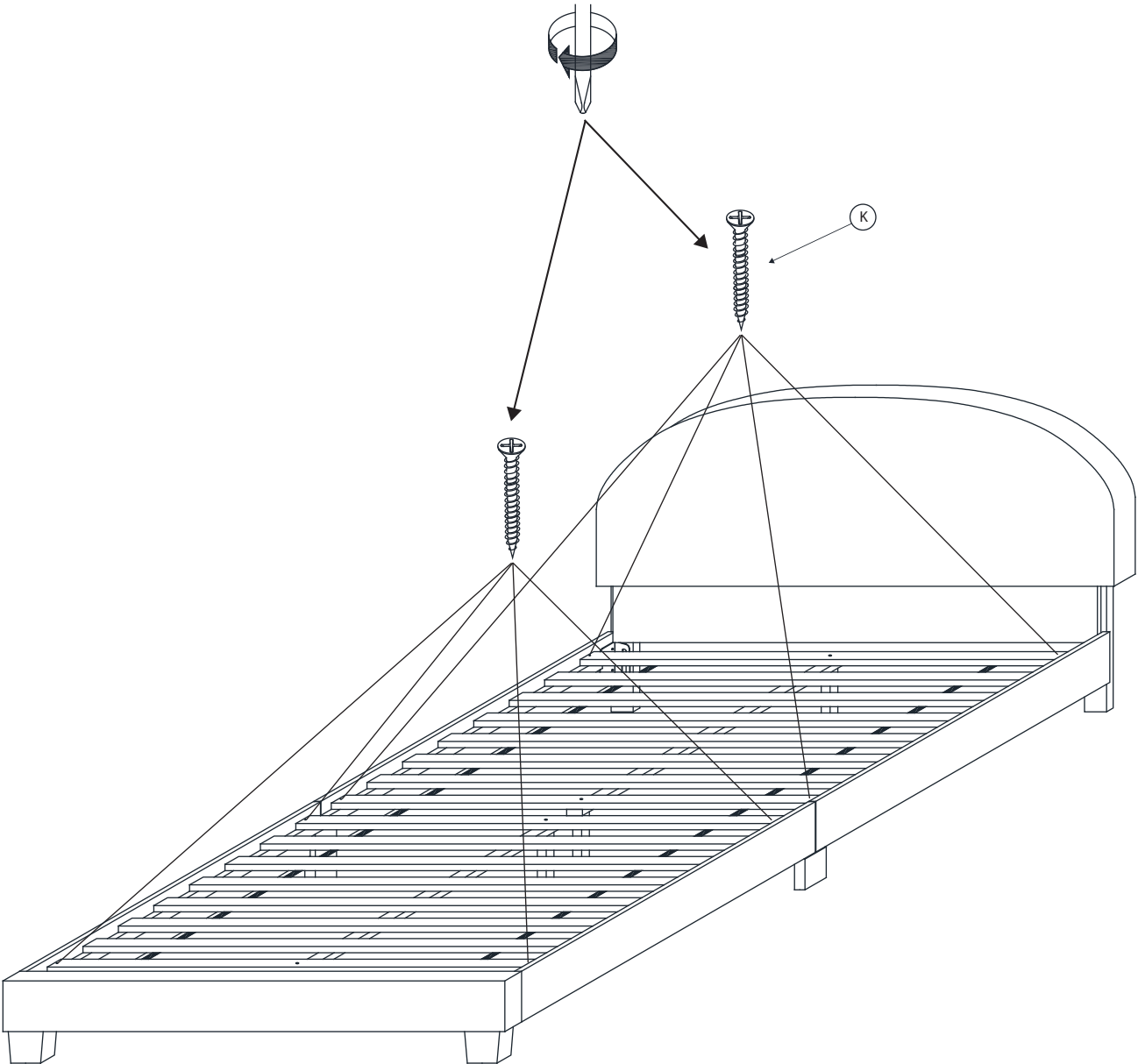
X2

X2

NOTE : FABRIC STRAPS ON THE SUPPORT SLAT WILL FACE THE FLOOR.



STEP 8:



Quality and Safety Guidelines

- Please use this item on a stable, level surface only. If any of the legs are not contacting the flooring surface, do not use. Do not use this item if any instability is detected.
- Carefully follow all of the assembly instructions. If all of the parts are not provided, please do not use this item. Please email us for assembly instructions.
- This item is intended for indoor use. Store indoors also.
- Do not drag or slide the bedframe when repositioning it. Team lift the bedframe and move it carefully without sliding the legs in any manner.
- This item is intended for lying down, do not jump, climb, hang or stand on this item.
- Do not use this bed with infants or Children under **6** years old. Adult supervision required.
- Do not attach or hang anything from any part of the bedframe.
- Do not use this item without an approved mattress.
- For product longevity, product safety and product integrity, please email us for storage instructions.
- Please visit our website for our product warranty details or email us.
- For maintenance instructions and replacement parts, please email us.
- Please follow the static and dynamic weight capacity limits provided on this item. If you are unsure of the weight capacities for this product, email us.
- Please inspect this product regularly to make sure there are no damaged or worn parts. Also inspect to make sure all hardware is tightened correctly and securely. For inspection instructions, please email us.
- If any parts are damaged or worn, please stop using the product. Repair this product with manufacturer supplied parts only.