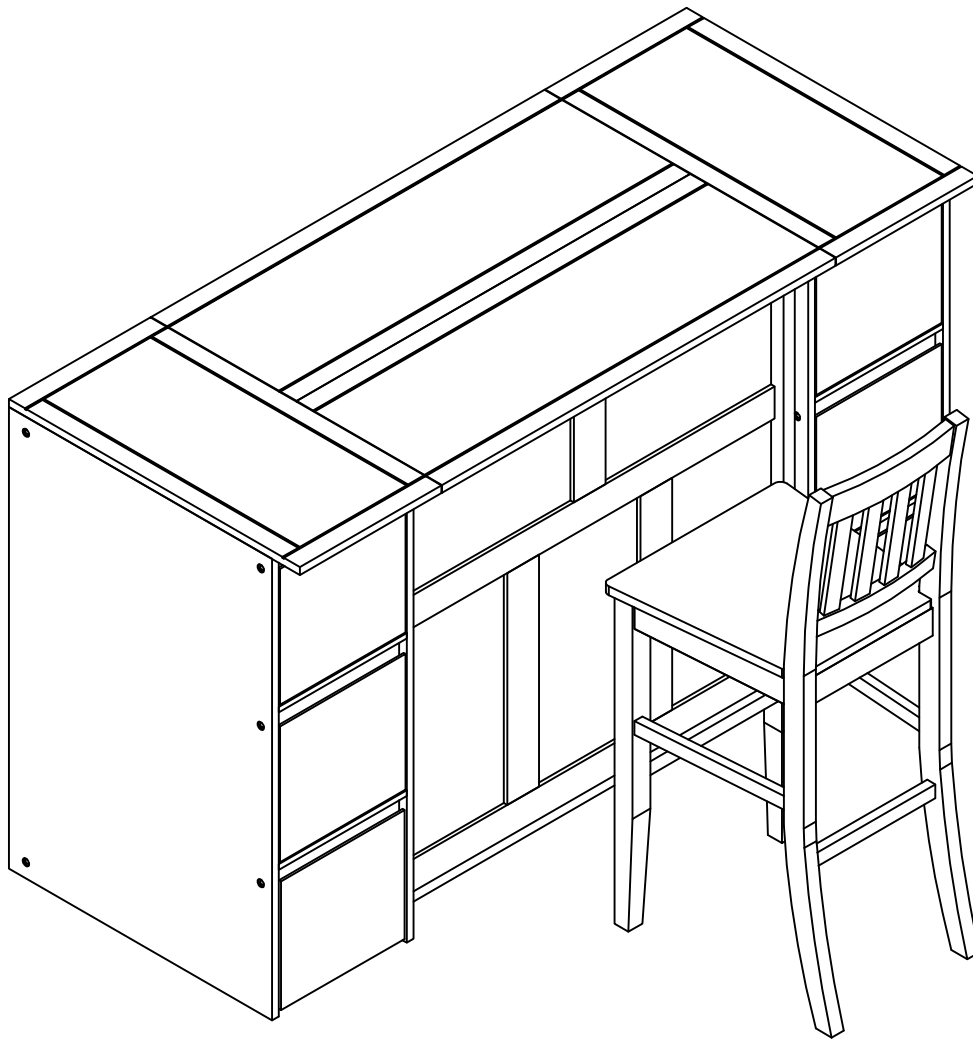
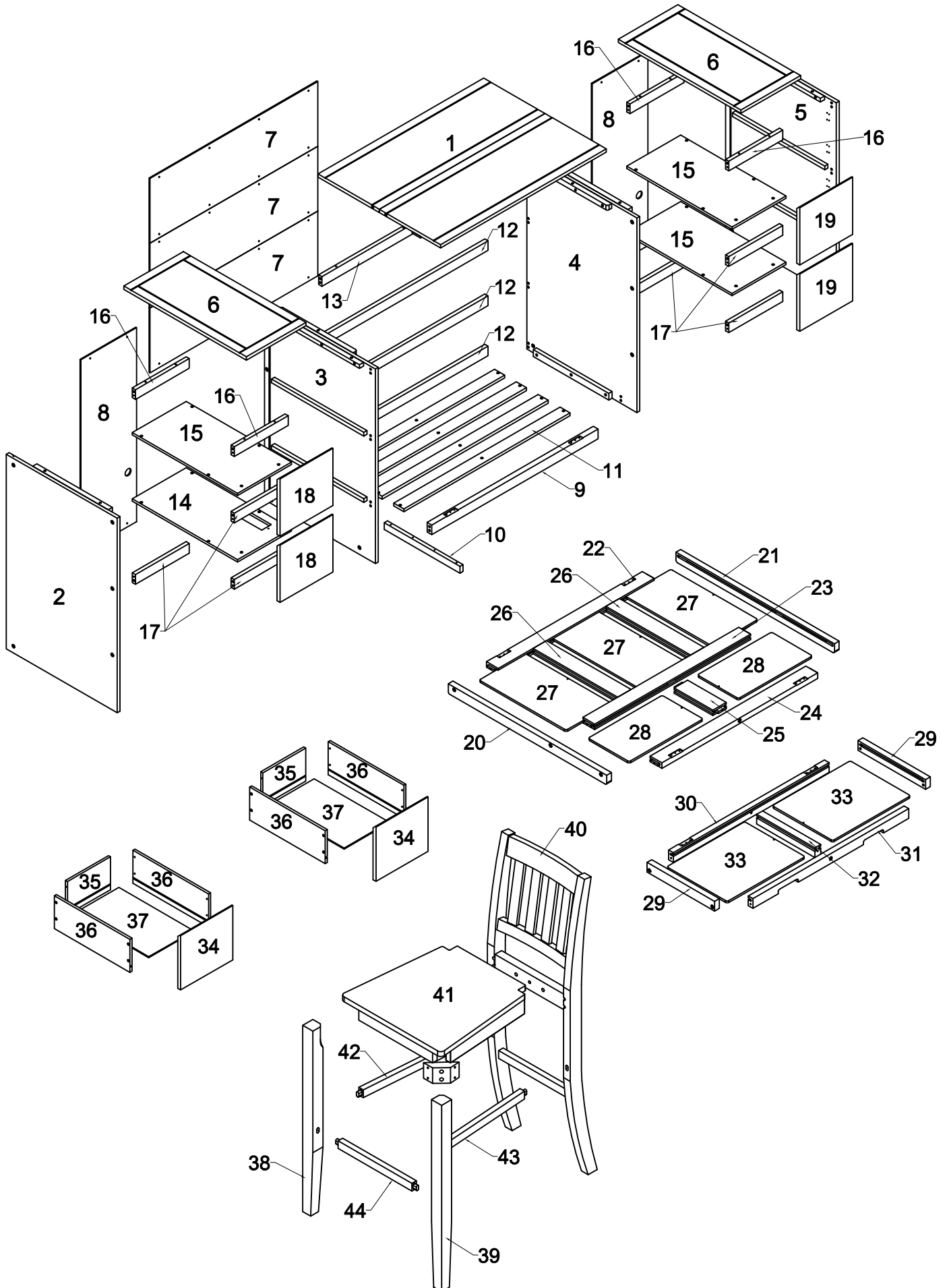


ASSEMBLY INSTRUCTIONS

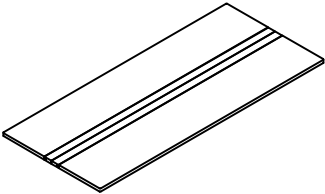
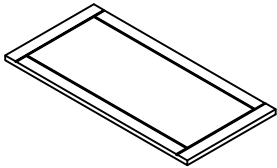
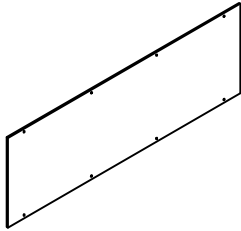
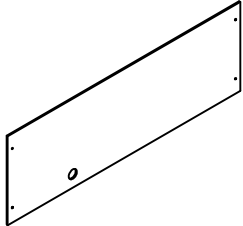
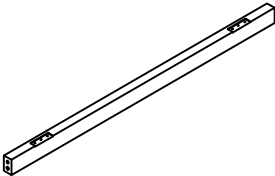
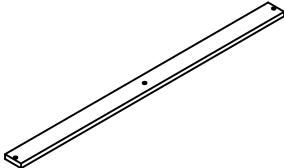
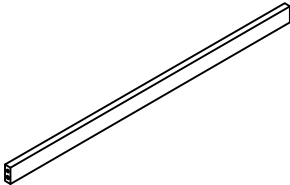
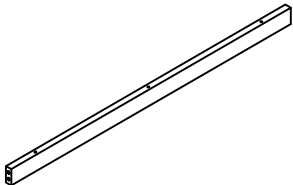
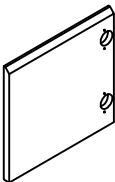
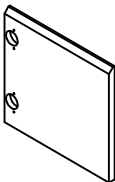
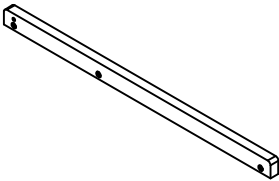
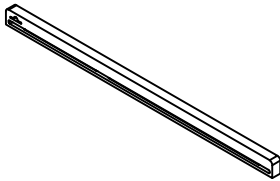
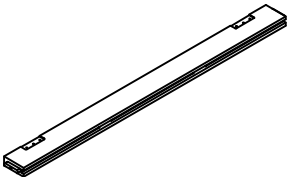
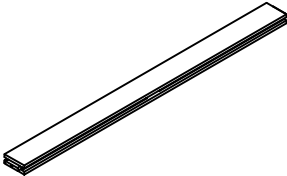
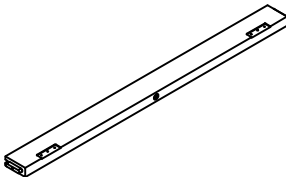

ITEM CODE: WF531278-WF531279



DETAIL VIEW

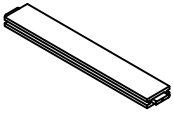


BOX 1: WF531278

<p>1</p>  <p>Top panel - middle (1pc)</p>	<p>6</p>  <p>Top panel - left & right (2pcs)</p>	<p>7</p>  <p>Back panel - middle (3pcs)</p>	<p>8</p>  <p>Back panel - left & right (2pcs)</p>
<p>9</p>  <p>Front rail (1pc)</p>	<p>11</p>  <p>Slats (4pcs)</p>	<p>12</p>  <p>Back rail - bottom (3pcs)</p>	<p>13</p>  <p>Back rail top (1pc)</p>
<p>18</p>  <p>Door left (2pcs)</p>	<p>19</p>  <p>Door right (2pcs)</p>	<p>20</p>  <p>Vertical side rail - left (1pc)</p>	<p>21</p>  <p>Vertical side rail - right (1pc)</p>
<p>22</p>  <p>Horizontal rail (1pc)</p>	<p>23</p>  <p>Horizontal rail (1pc)</p>	<p>24</p>  <p>Horizontal rail (1pc)</p>	<p>25</p>  <p>Vertical bar (1pc)</p>

BOX 1: WF531278

26



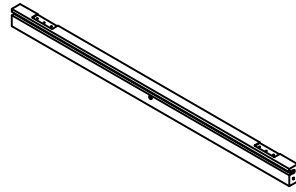
Vertical bar (2pcs)

29



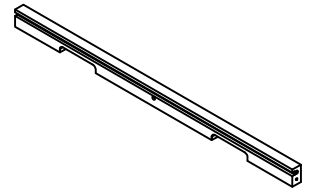
Vertical side rail (2pcs)

30



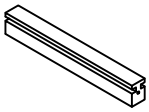
Horizontal rail (1pc)

31



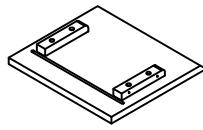
Horizontal rail (1pc)

32



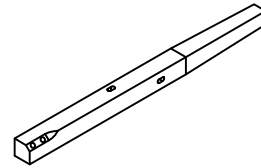
Vertical middle rail (1pc)

34



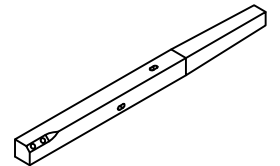
Front drawers (2pcs)

38



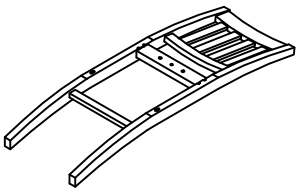
Front leg chair - left (1pc)

39



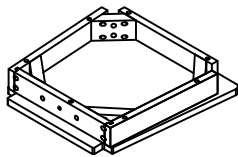
Front leg chair - right (1pc)

40



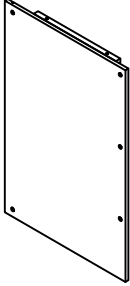
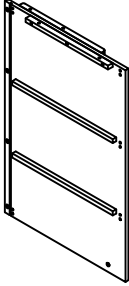
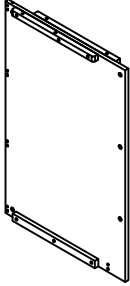
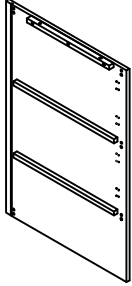
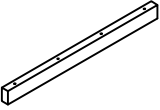
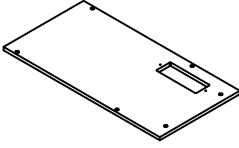
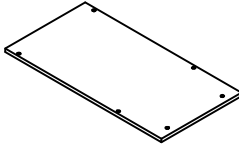
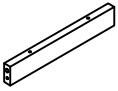
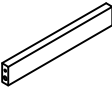
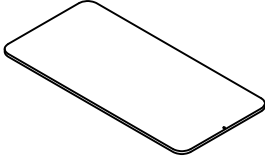
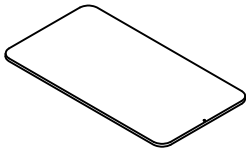
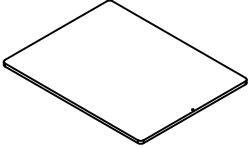
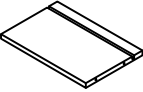
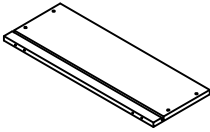
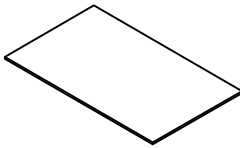
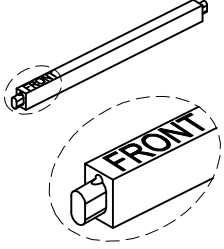
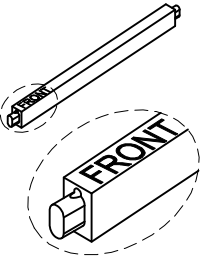
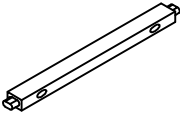
Back frame chair (1pc)

41

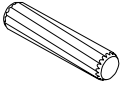


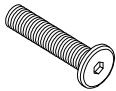


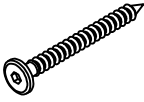
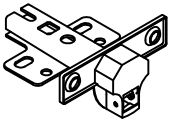
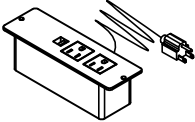
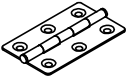

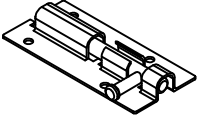
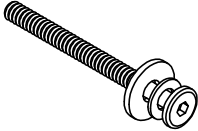
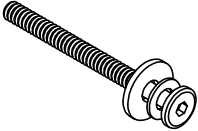

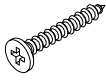


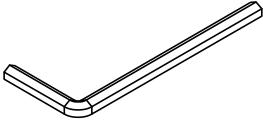



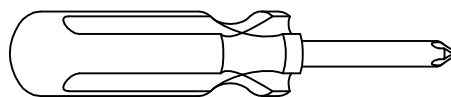
Seat frame chair (1pc)

BOX 2: WF531279

<p>2</p>  <p>Side panel - left (1pc)</p>	<p>3</p>  <p>Side panel - left (1pc)</p>	<p>4</p>  <p>Side panel - right (1pc)</p>	<p>5</p>  <p>Side panel - right (1pc)</p>
<p>10</p>  <p>Support slats (1pc)</p>	<p>14</p>  <p>Shelf panel 1 (1pc)</p>	<p>15</p>  <p>Shelf panel 2 (3pcs)</p>	<p>16</p>  <p>Top rail - cabinet (4pcs)</p>
<p>17</p>  <p>Bottom rail - cabinet (6pcs)</p>	<p>27</p>  <p>Front panel (3pcs)</p>	<p>28</p>  <p>Front panel (2pcs)</p>	<p>33</p>  <p>Front panel (2pcs)</p>
<p>35</p>  <p>Back drawers (2pcs)</p>	<p>36</p>  <p>Side drawers (4pcs)</p>	<p>37</p>  <p>Bottom drawers (2pcs)</p>	<p>42</p>  <p>Left stretcher (1pc)</p>
<p>43</p>  <p>Right stretcher (1pc)</p>	<p>44</p>  <p>Front stretcher (1pc)</p>		

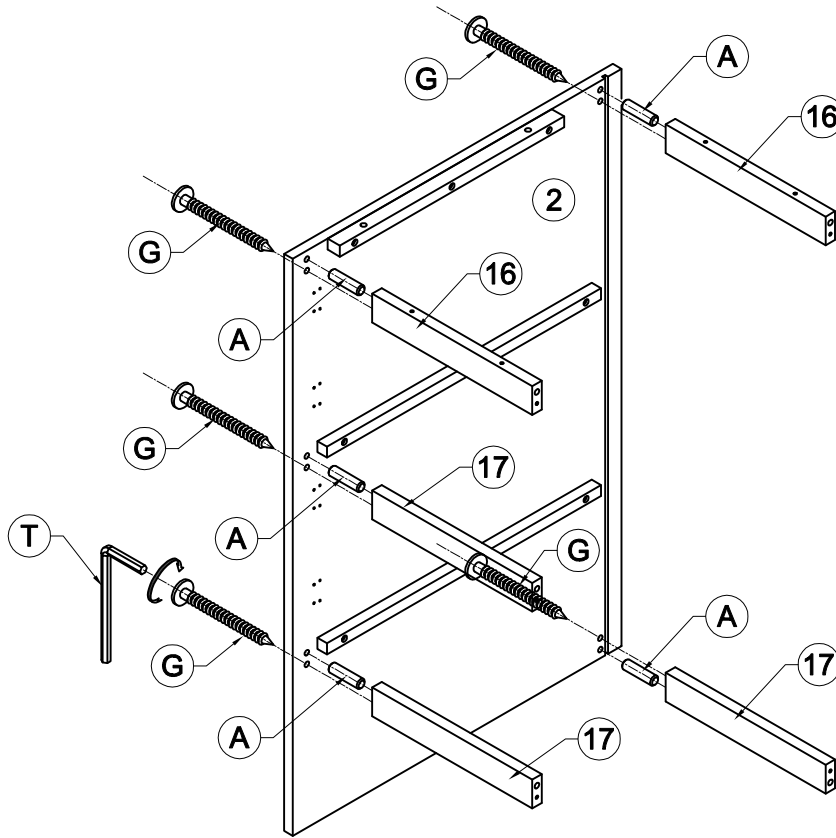
HARDWARE LIST: WF531278

<p>A</p>  <p>Wood dowel Ø8 * 30 - 35pcs</p>	<p>B</p>  <p>Horizontal - Hold bolts Ø1/4" - 10pcs</p>	<p>C</p>  <p>Hex - Head bolts Ø1/4" * 60 - 10pcs</p>	<p>D</p>  <p>Hex - Head bolts Ø1/4" * 30 - 12pcs</p>
<p>E</p>  <p>Hexagonal bolts catch wood Ø1/4" * 90 - 3pcs</p>	<p>F</p>  <p>Hexagonal bolts catch wood Ø1/4" * 60 - 12pcs</p>	<p>G</p>  <p>Hexagonal bolts catch wood Ø1/4" * 50 - 20pcs</p>	<p>H</p>  <p>Insert hinge - 8pcs</p>
<p>I</p>  <p>Power outlet - 1pc</p>	<p>J</p>  <p>Hinge - 4pcs</p>	<p>K</p>  <p>Wheel - 8pcs</p>	<p>L</p>  <p>Patt lock - 2pcs</p>
<p>M</p>  <p>Hex - Head bolts Ø5/16" * 90 - 4sets</p>	<p>N</p>  <p>Hex - Head bolts Ø5/16" * 70 - 4sets</p>	<p>O</p>  <p>Hex - Head bolts Ø5/16" * 40 - 2sets</p>	<p>P</p>  <p>Wood crews M4 * 25 - 52pcs</p>
<p>Q</p>  <p>Wood crews M3.5 * 15 - 72pcs</p>	<p>R</p>  <p>Round wood crews M3.5 * 15 - 54pcs</p>	<p>T</p>  <p>Allen key K4 - 2pcs</p>	<p>S</p>  <p>Wood crews M4 * 45 - 17pcs</p>



Assembly Tools Required (Not Included)

STEP 1



A



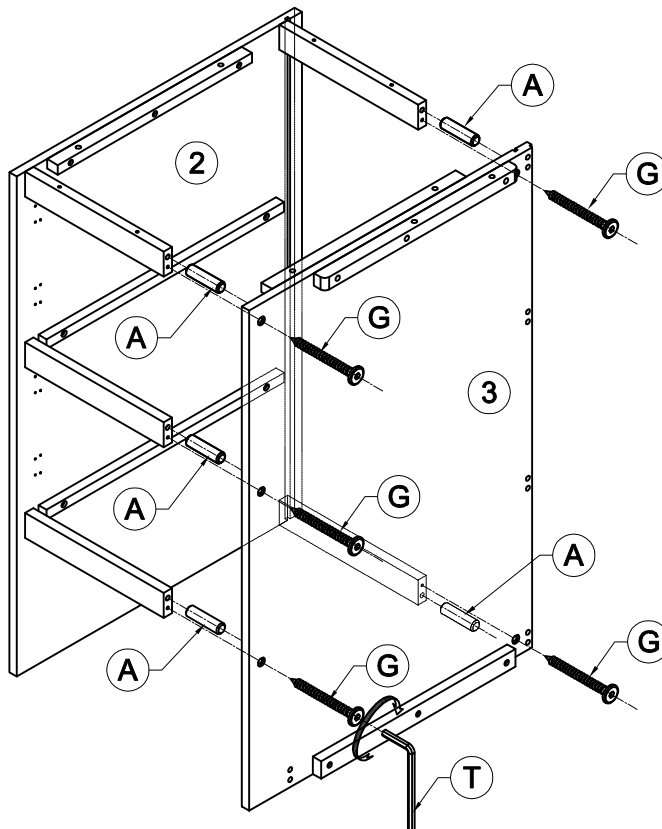
Wood dowel
Ø8 * 30 - 5pcs

G



Hexagonal bolts catch wood
Ø1/4" * 50 - 5pcs

STEP 2



A



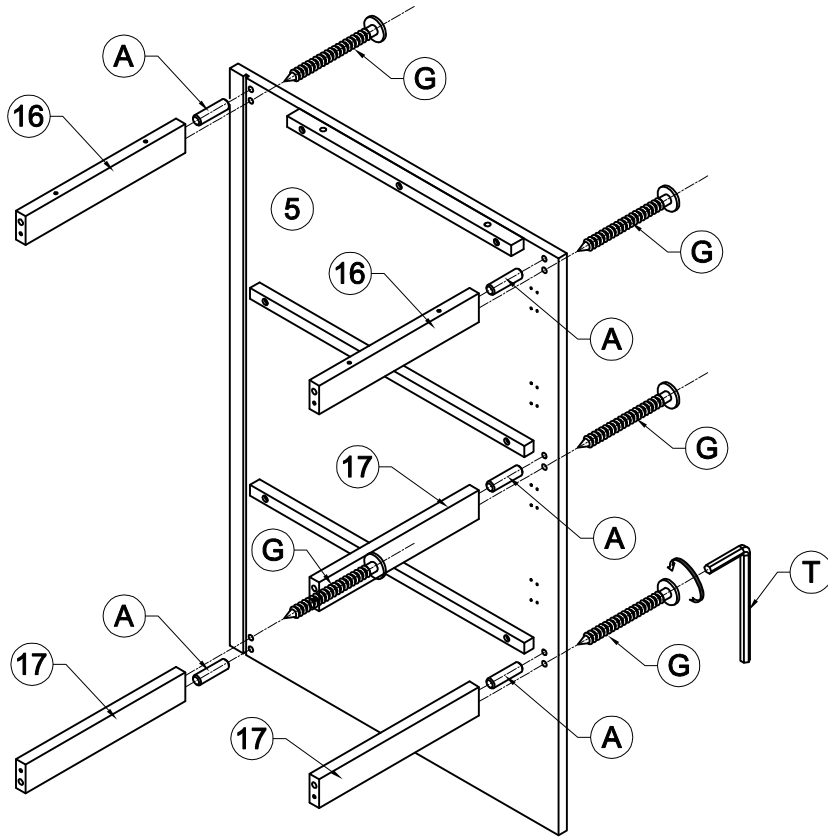
Wood dowel
Ø8 * 30 - 5pcs

G



Hexagonal bolts catch wood
Ø1/4" * 50 - 5pcs

STEP 3



A



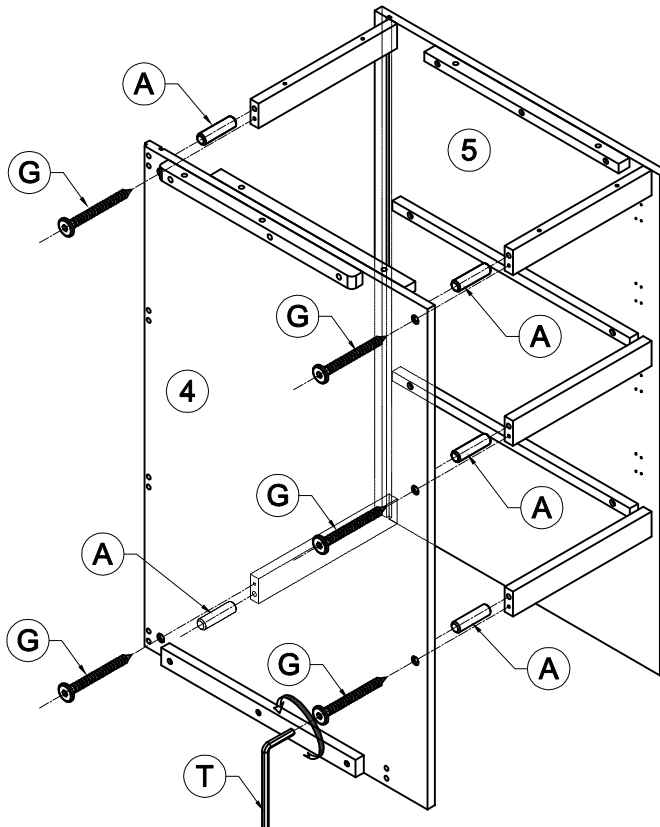
Wood dowel
Ø8 * 30 - 5pcs

G



Hexagonal bolts catch wood
Ø1/4" * 50 - 5pcs

STEP 4



A



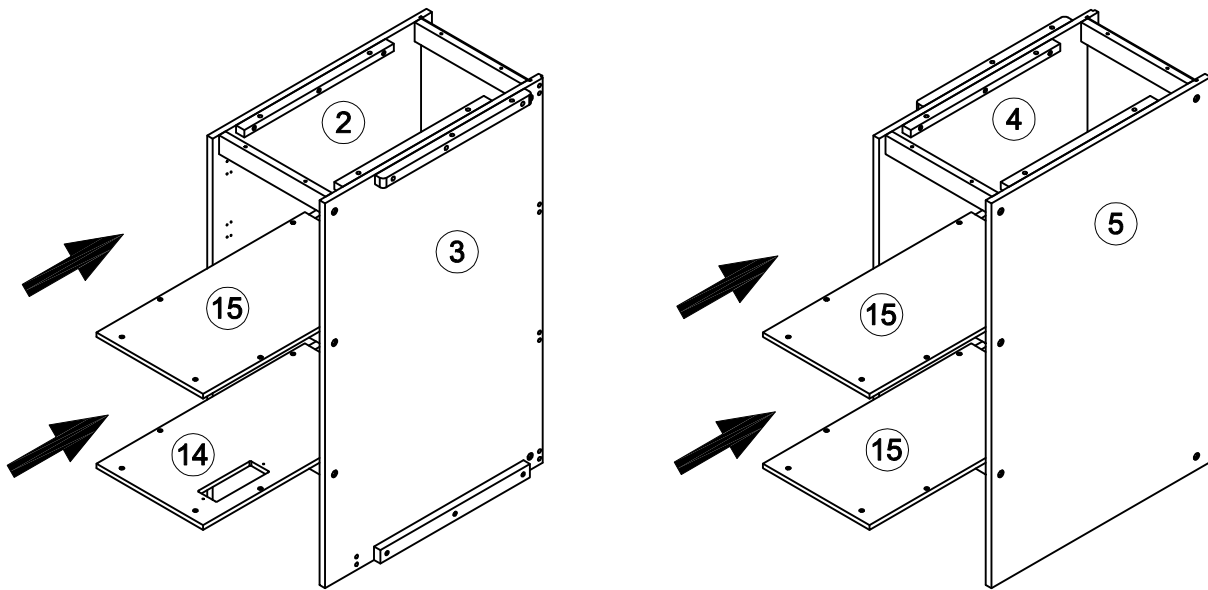
Wood dowel
Ø8 * 30 - 5pcs

G

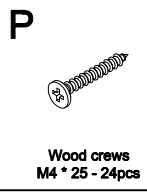
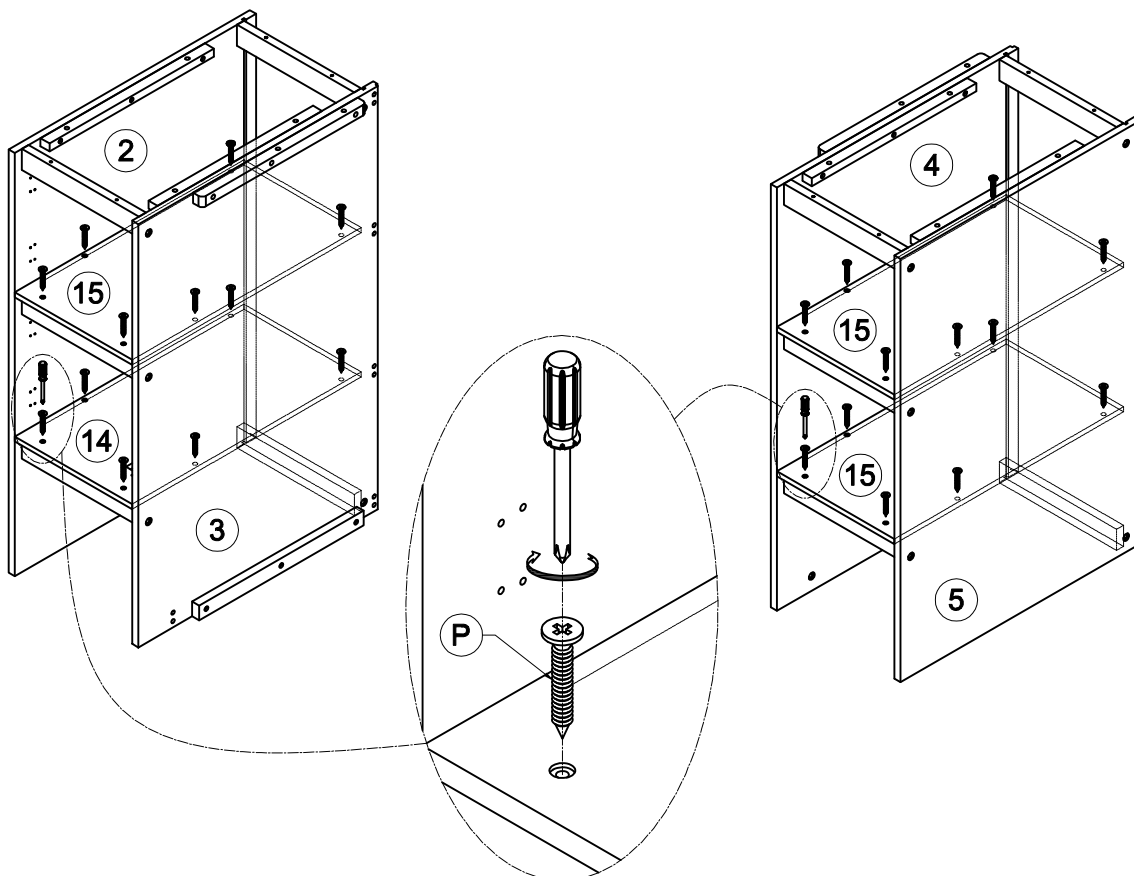


Hexagonal bolts catch wood
Ø1/4" * 50 - 5pcs

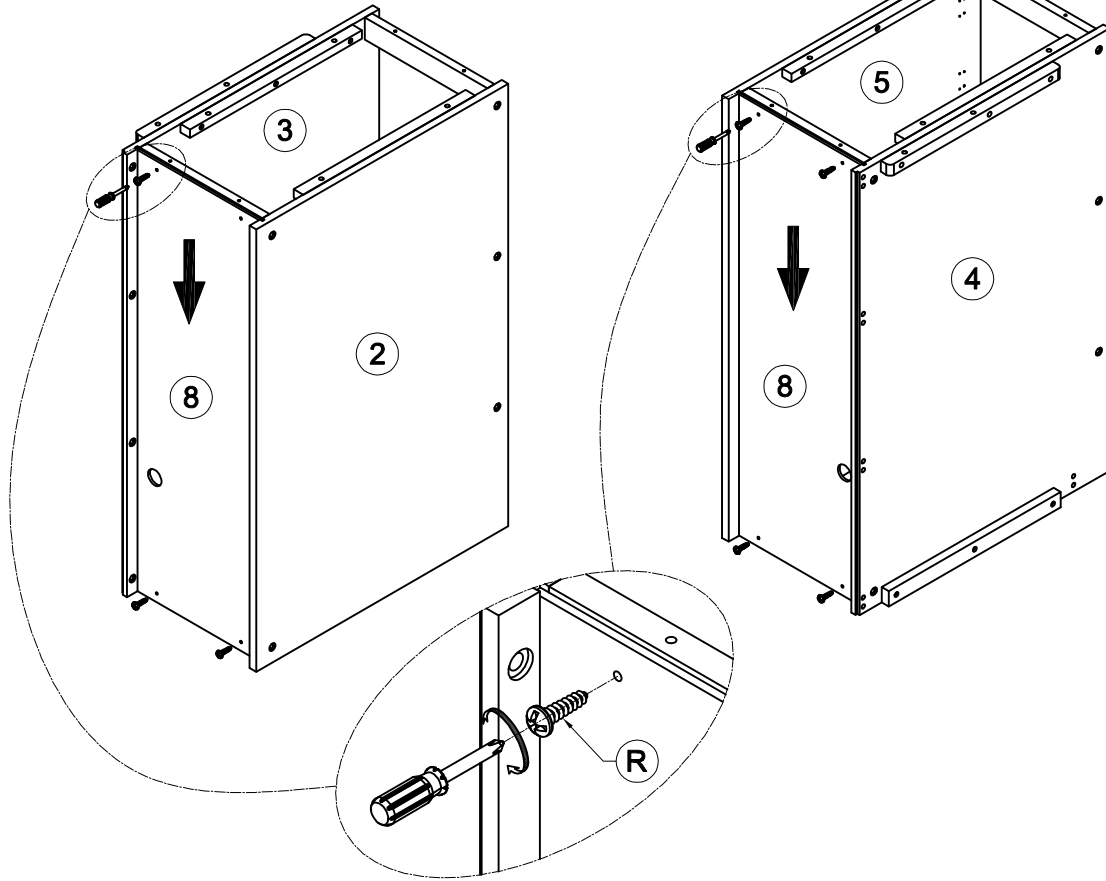
STEP 5



STEP 6

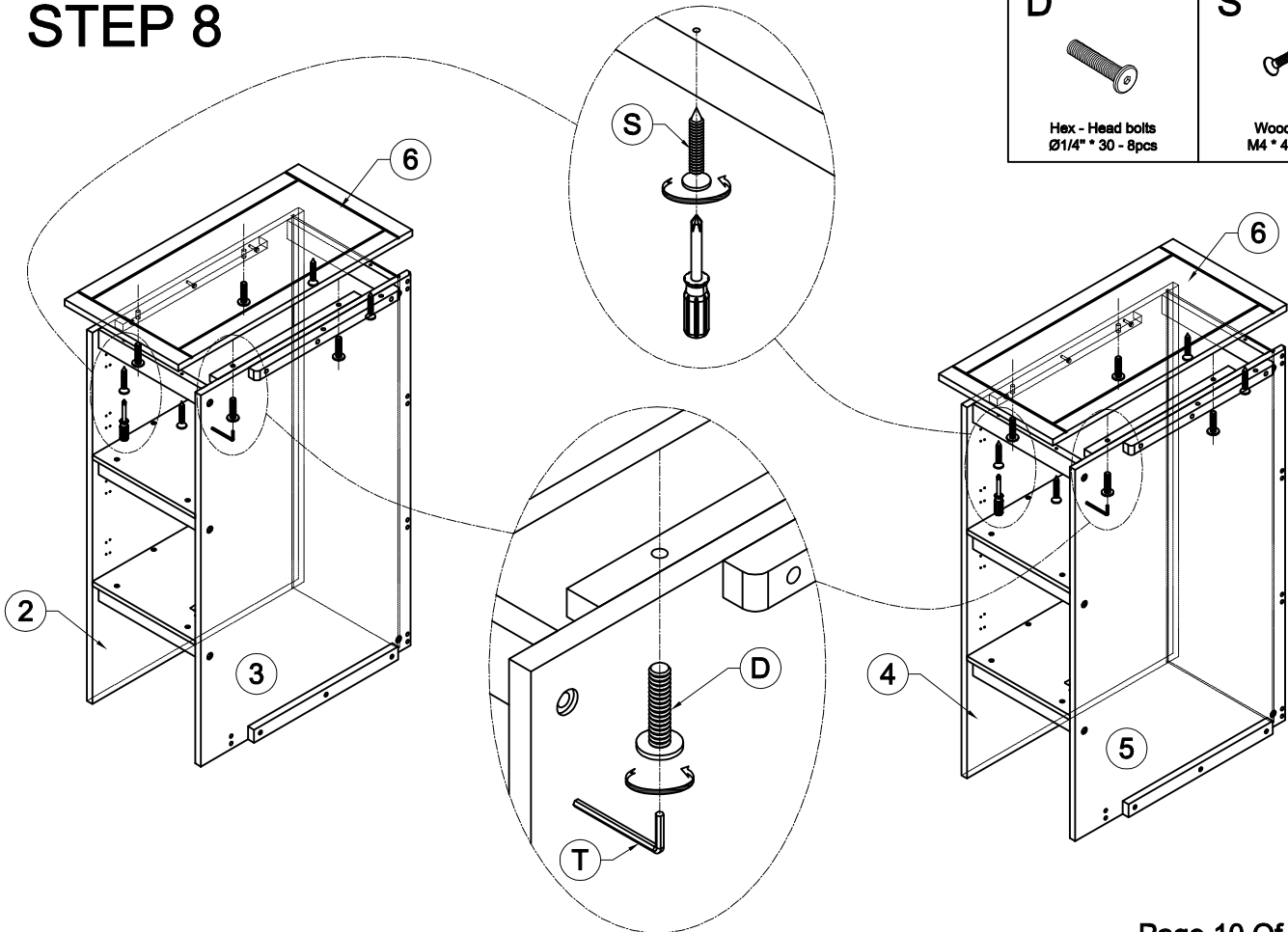


STEP 7



R
Round wood crews
M3.5 * 15 - 8pcs

STEP 8



D
Hex - Head bolts
Ø1/4" * 30 - 8pcs

S
Wood crews
M4 * 45 - 8pcs

STEP 9

A



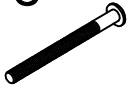
Wood dowel
Ø8 * 30 - 10pcs

B

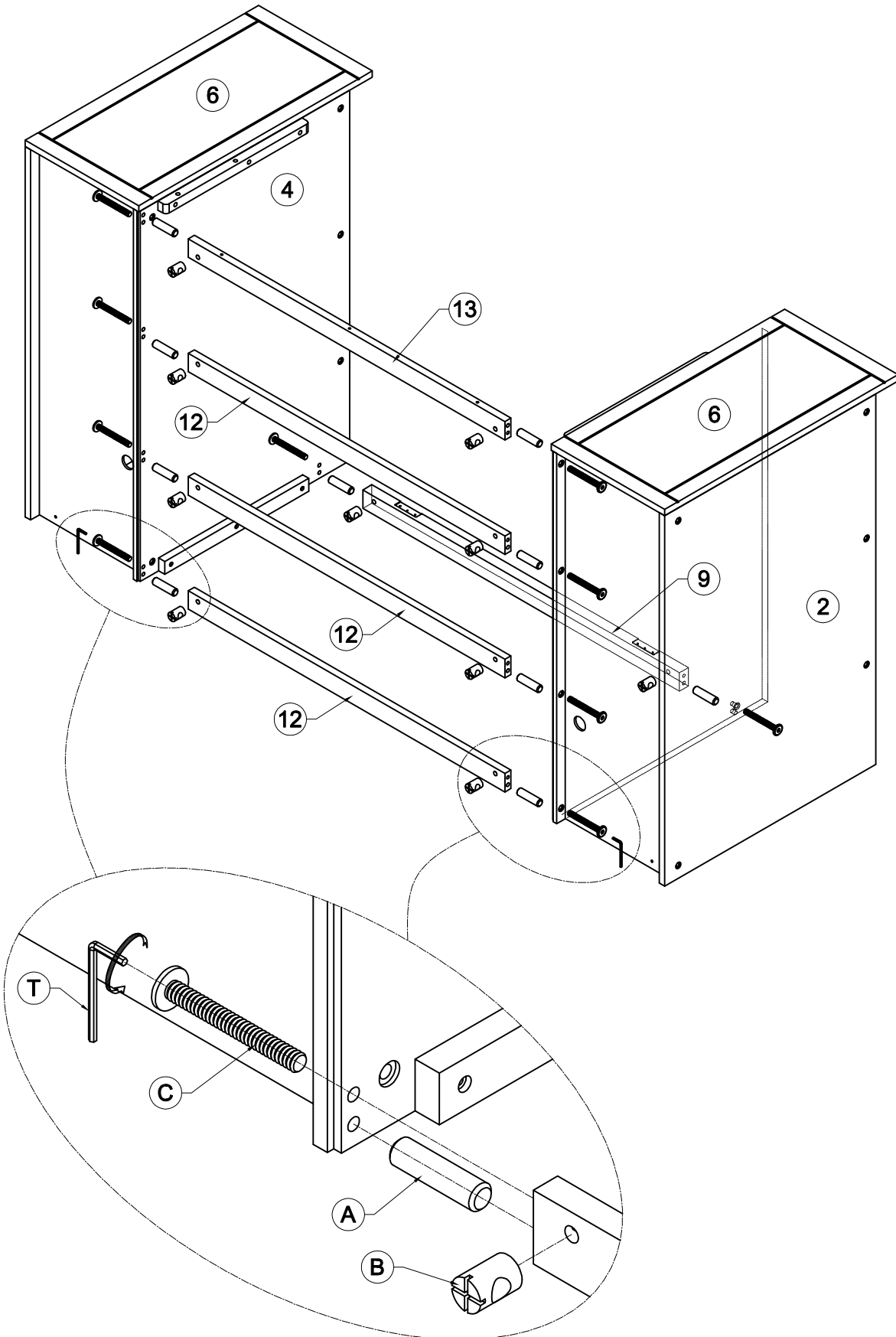


Horizontal - Hold bolts
Ø1/4" - 10pcs

C



Hex - Head bolts
Ø1/4" * 60 - 10pcs



STEP 10

D

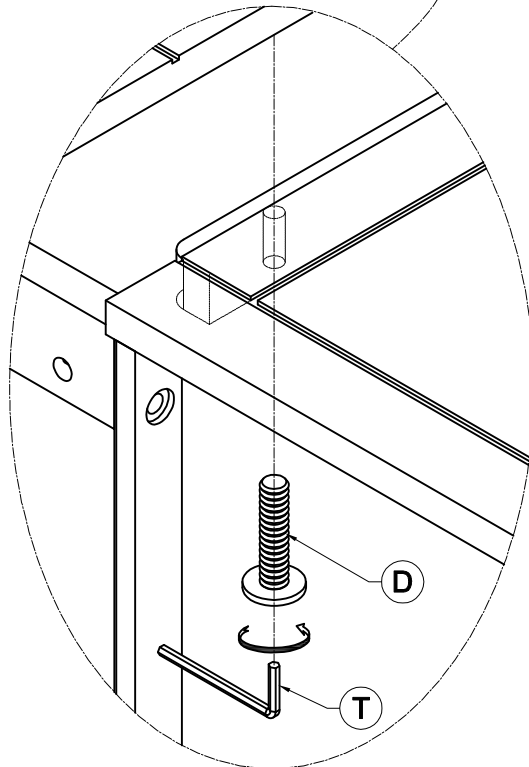
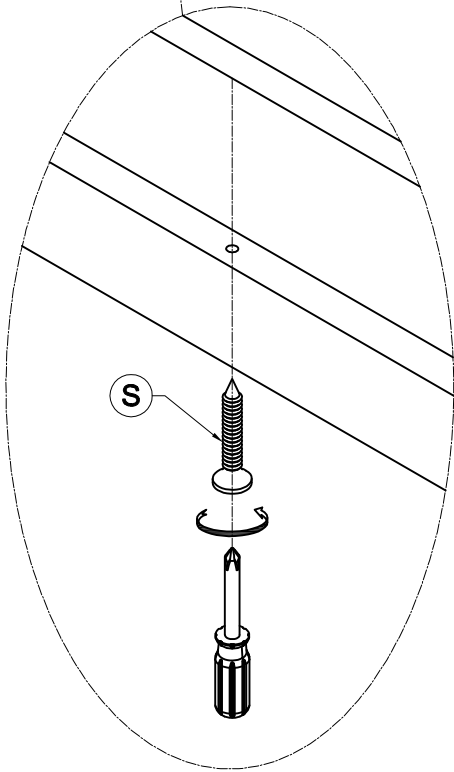
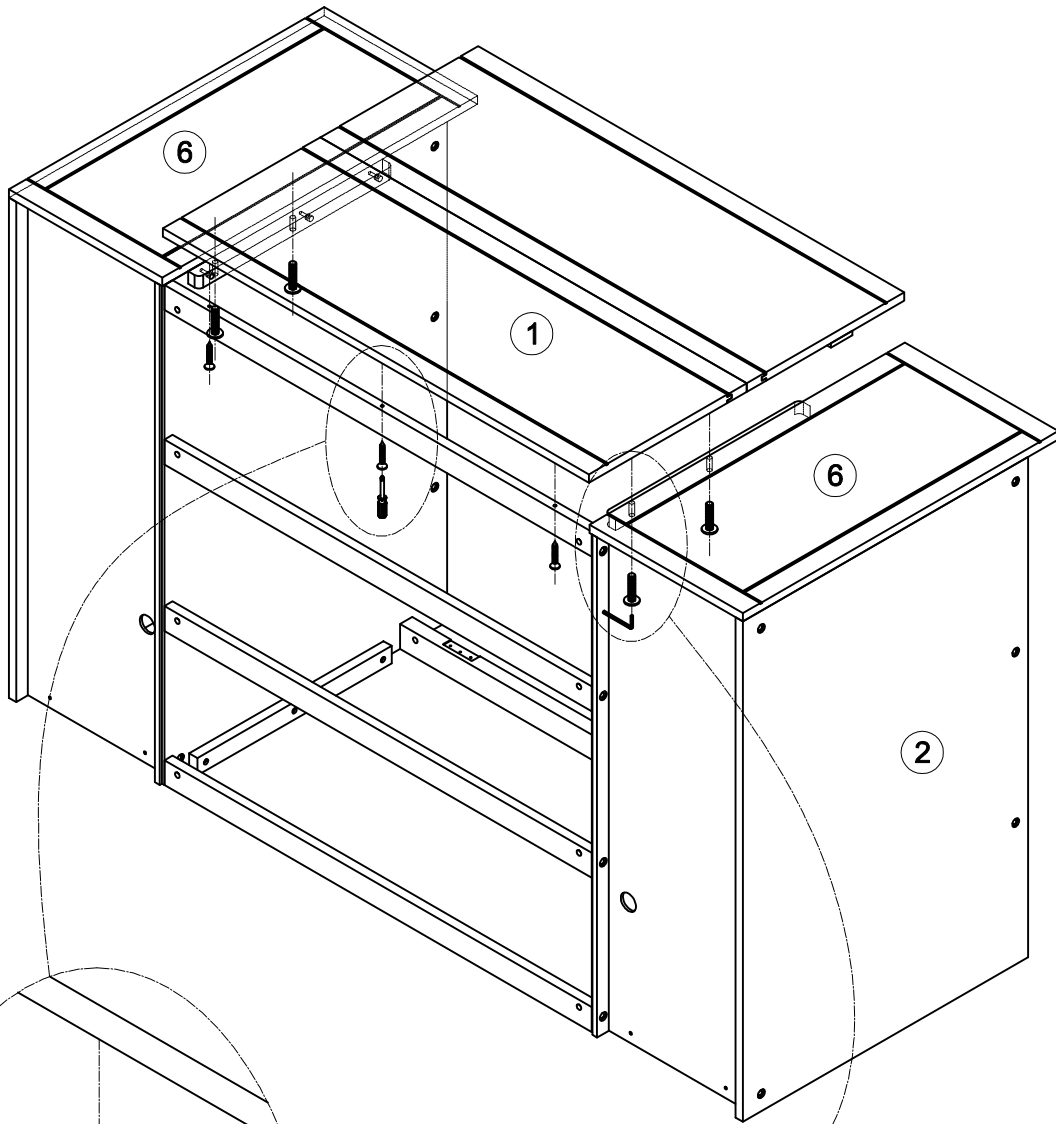


Hex - Head bolts
Ø1/4" * 30 - 4pcs

S



Wood crews
M4 * 45 - 3pcs

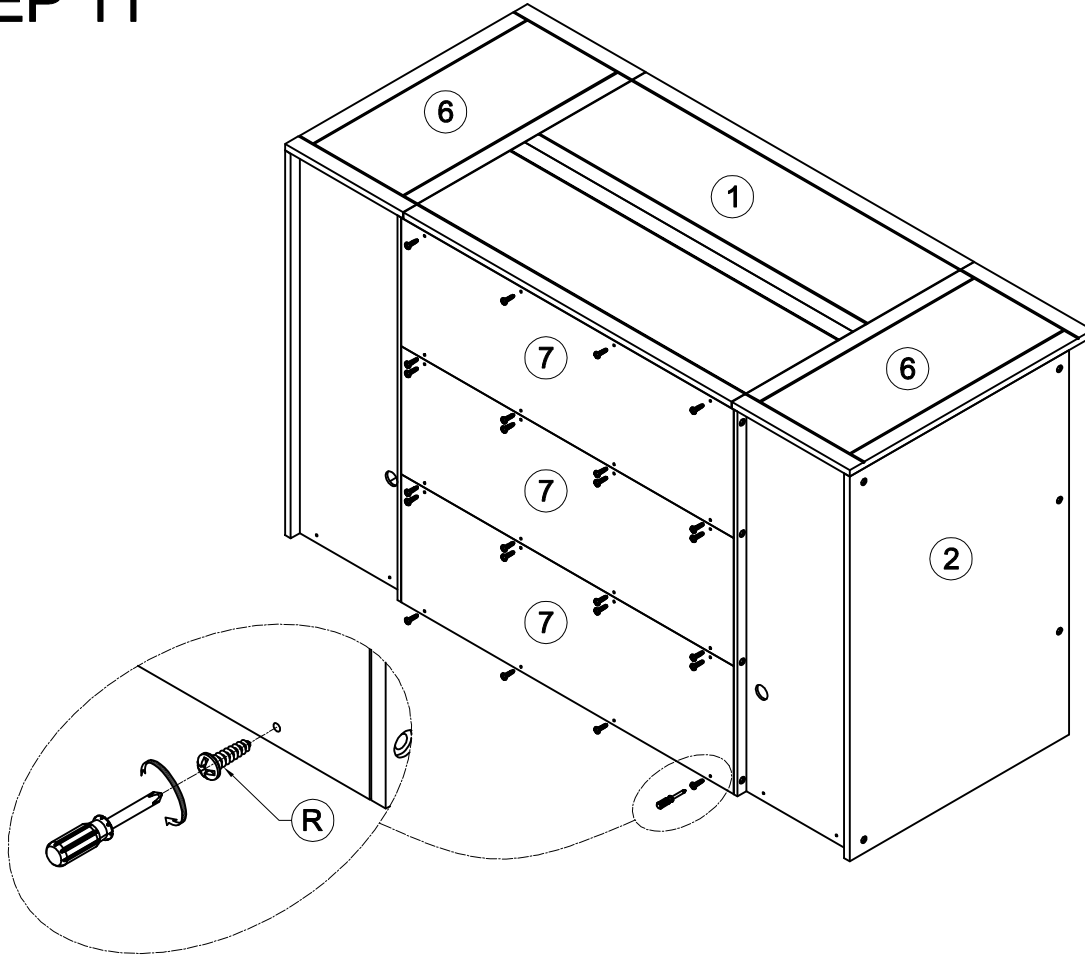


STEP 11

R



Round wood crews
M3.5 * 15 - 24pcs

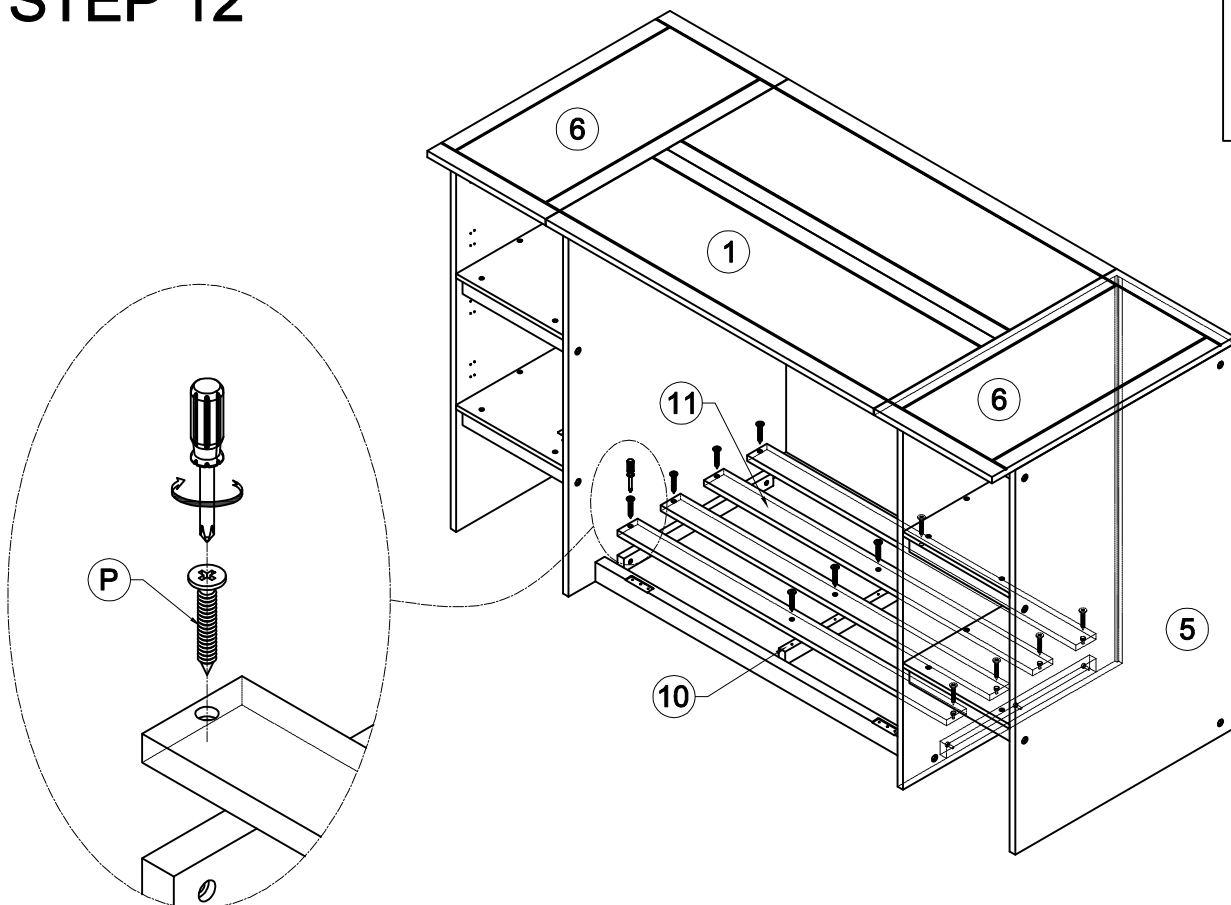


STEP 12

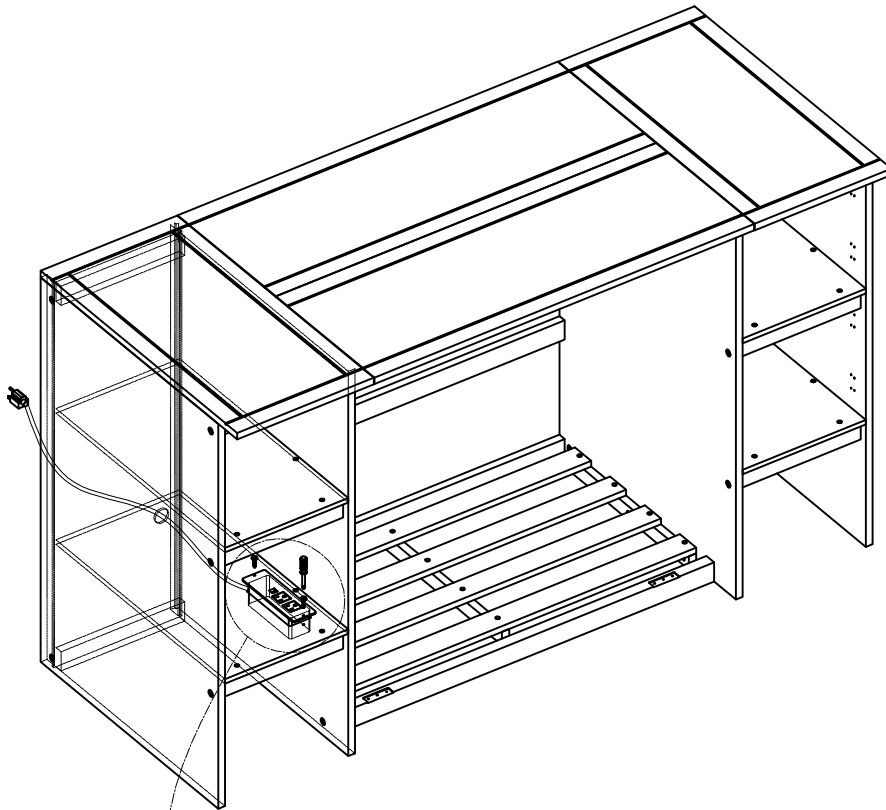
P



Wood crews
M4 * 25 - 12pcs



STEP 13

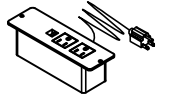


R

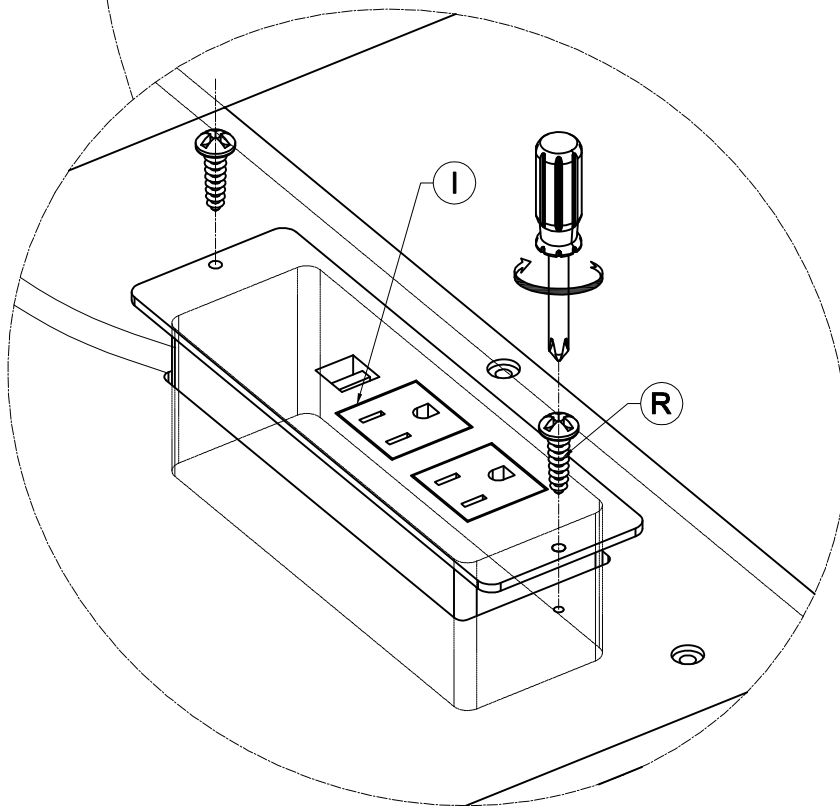


Round wood screws
M3.5 * 15 - 2pcs

I

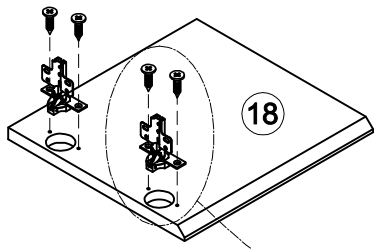


Power outlet - 1pc

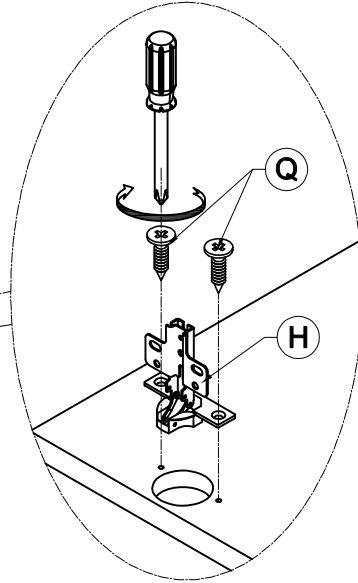
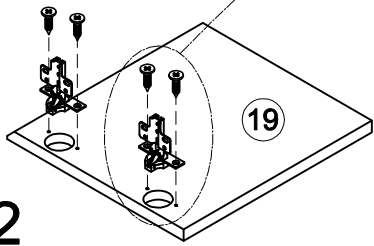


STEP 14

X2



X2

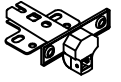


Q



Wood crews
M3.5 * 15 - 16pcs

H



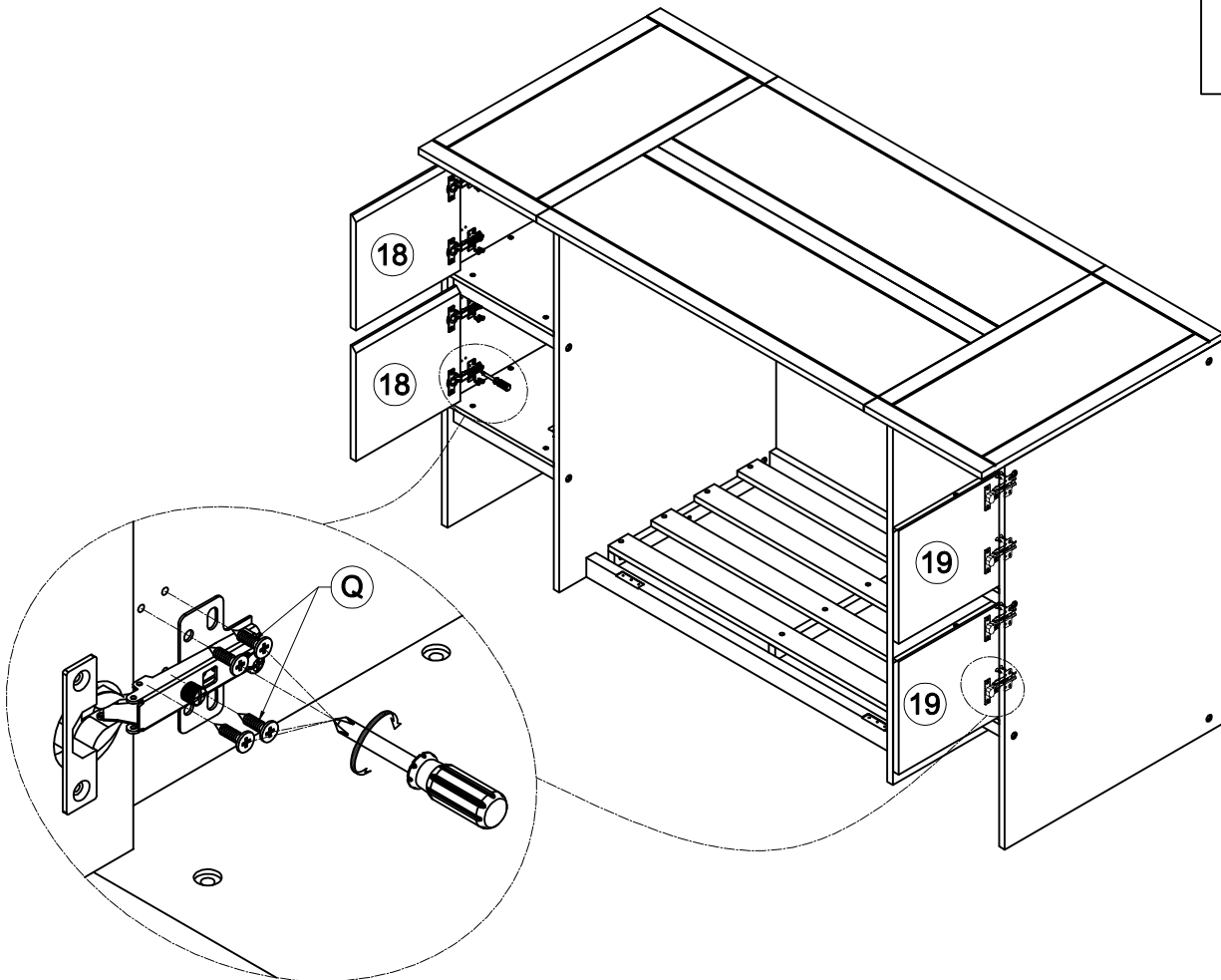
Insert hinge - 8pcs

STEP 15

Q



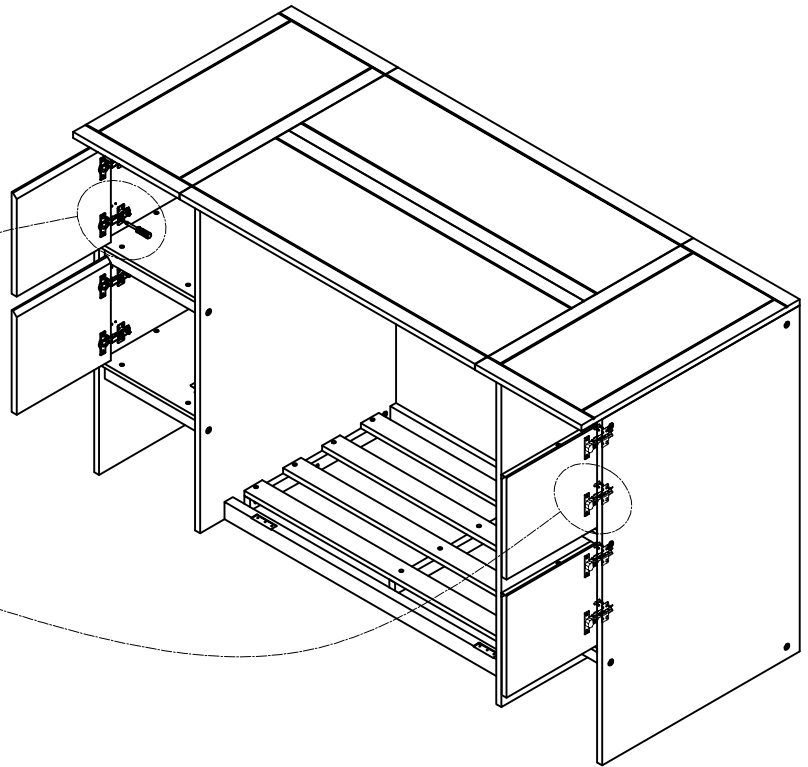
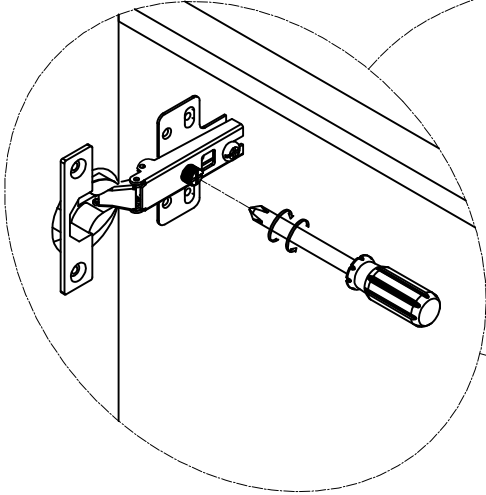
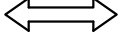
Wood crews
M3.5 * 15 - 32pcs



STEP 16

LEFT

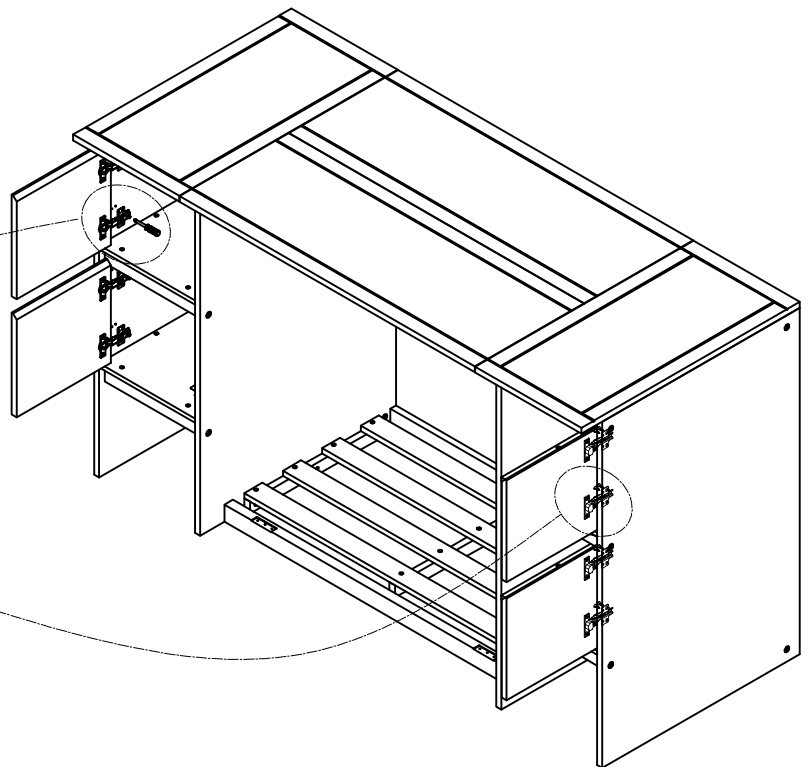
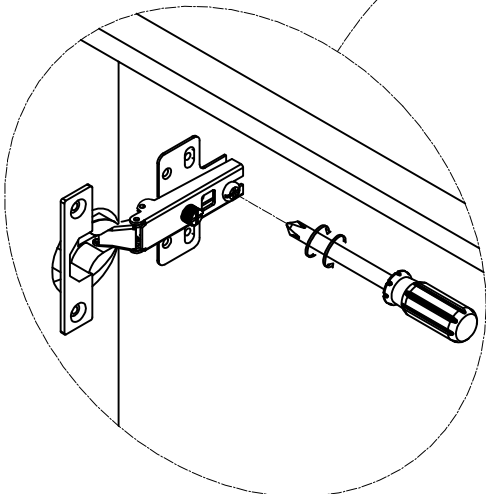
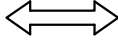
RIGHT



Adjust the hinges for proper clearance

FRONT

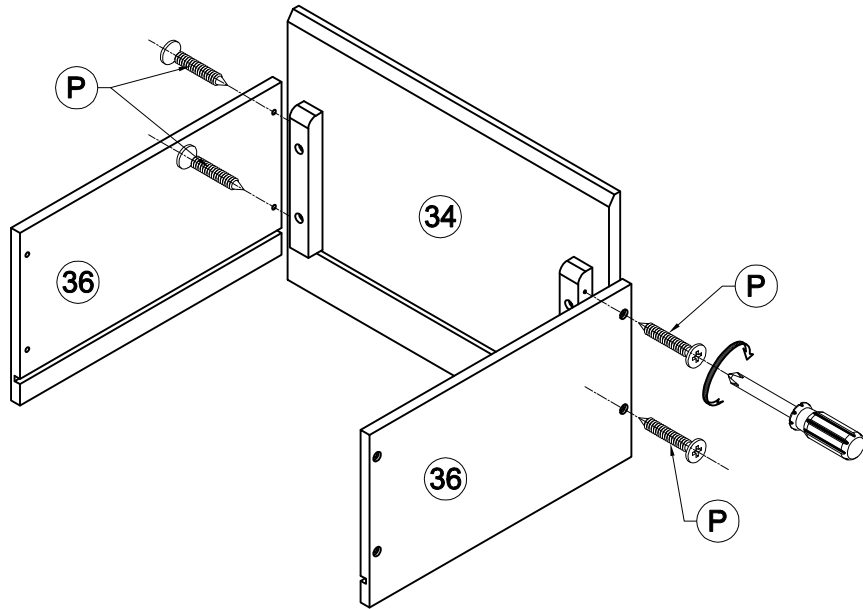
BACK



Adjust the hinges for proper clearance

STEP 17

X2



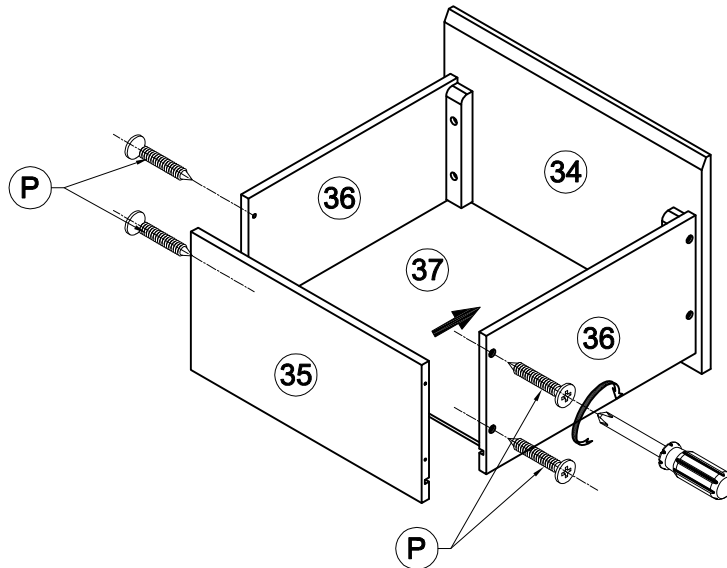
P



Wood crews
M4 * 25 - 8pcs

STEP 18

X2



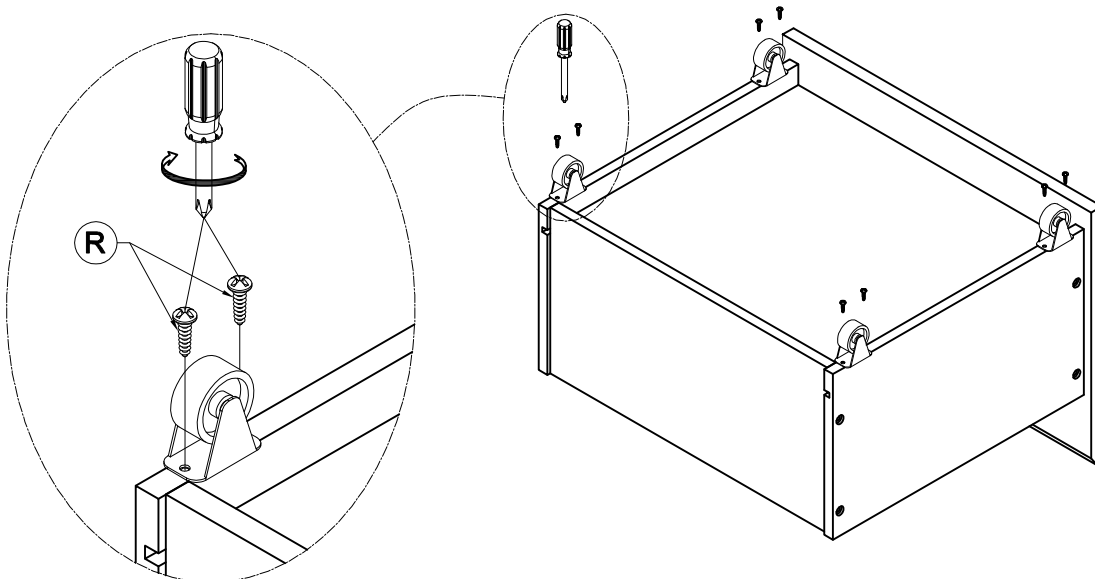
P



Wood crews
M4 * 25 - 8pcs

STEP 19

X2



K



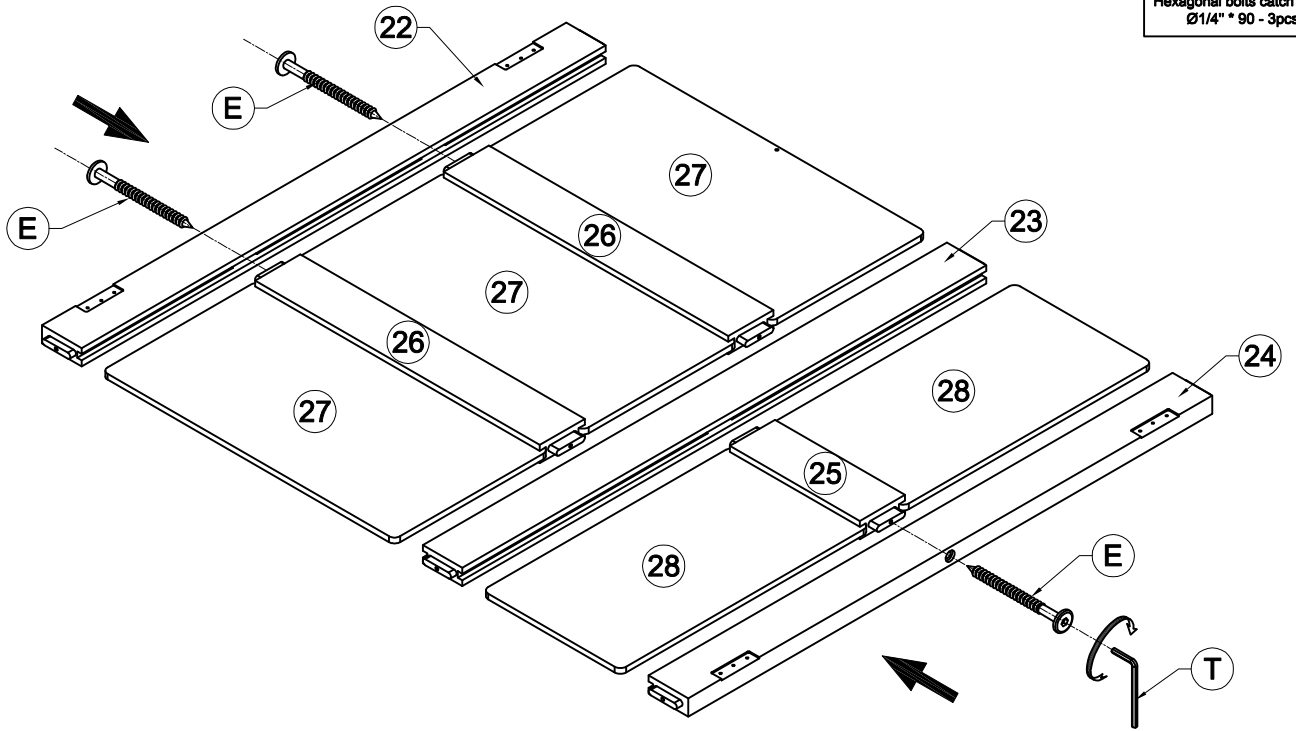
Wheel - 8pcs

R



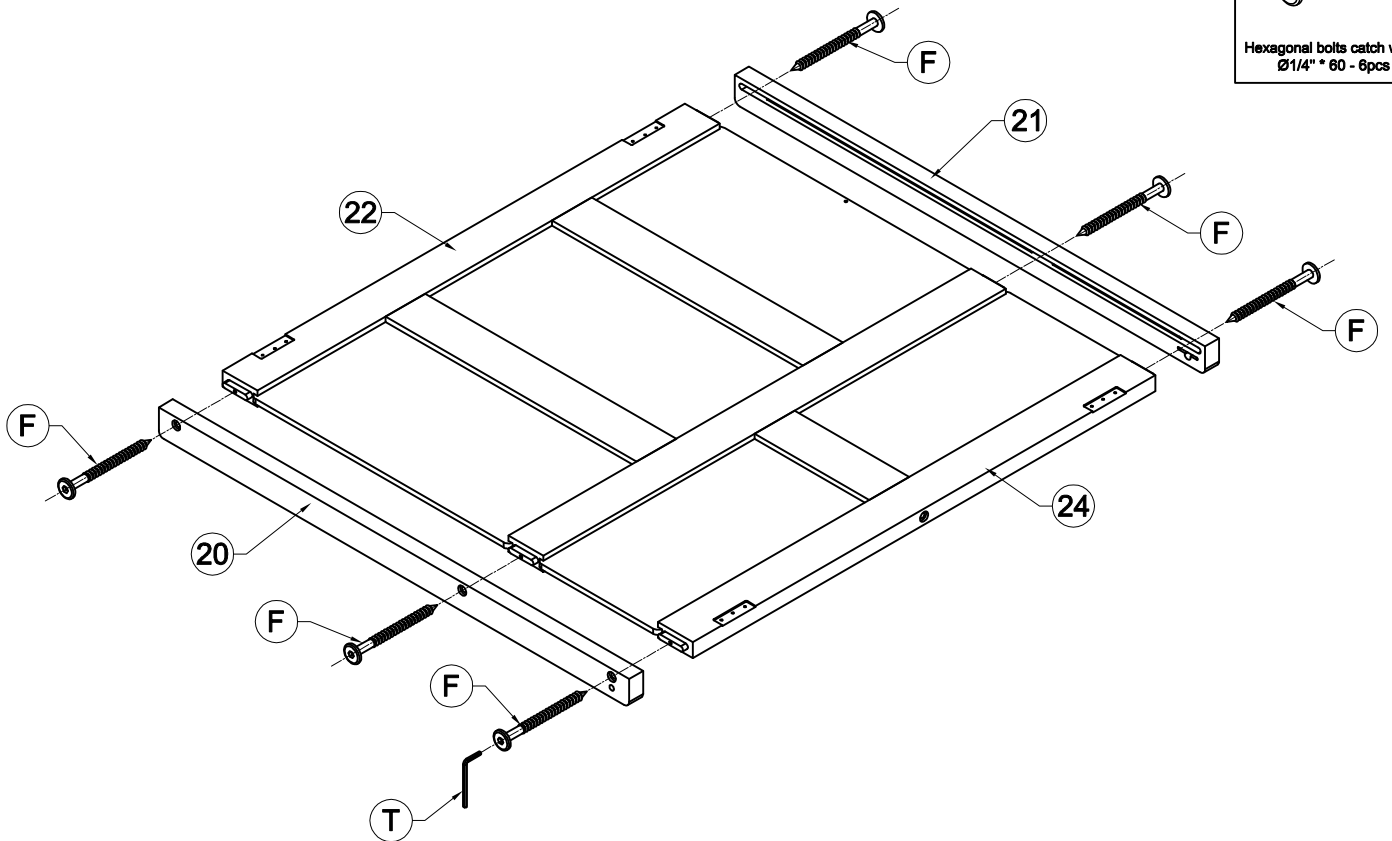
Round wood crews
M3.5 * 15 - 16pcs

STEP 20



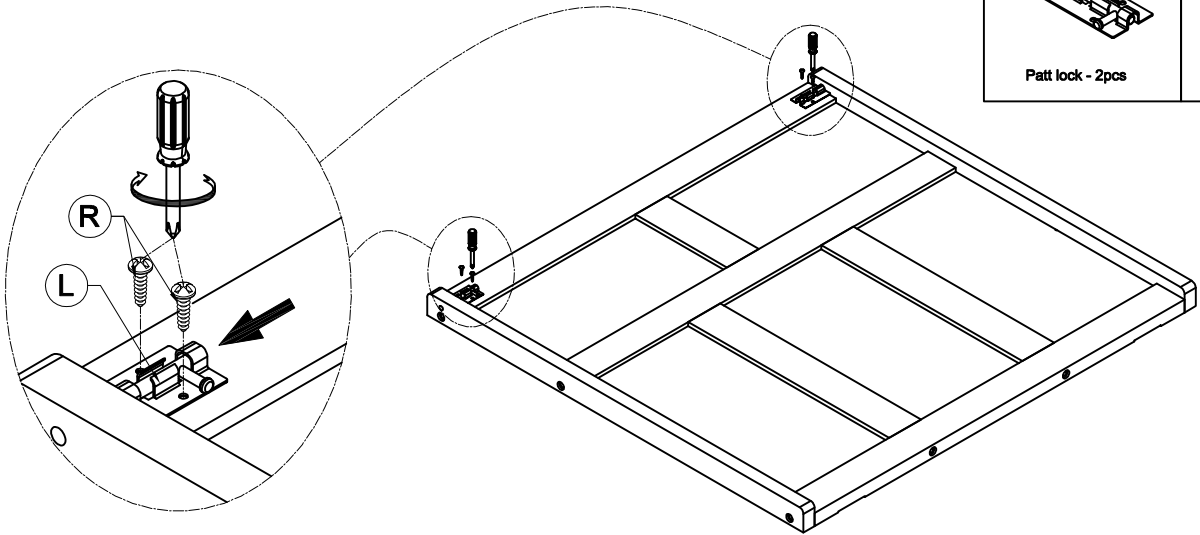
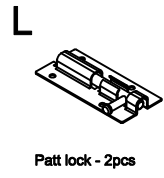
E
Hexagonal bolts catch wood
Ø1/4" * 90 - 3pcs

STEP 21

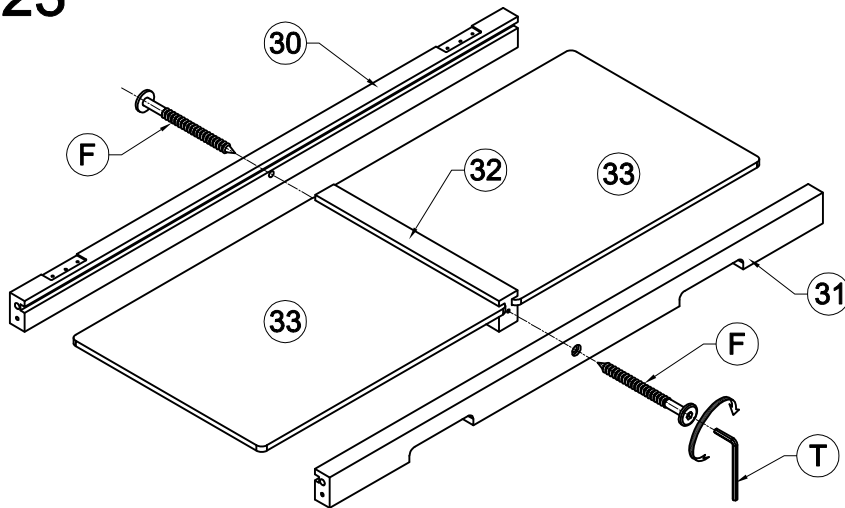
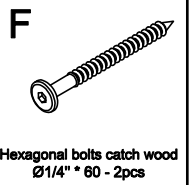


F
Hexagonal bolts catch wood
Ø1/4" * 60 - 6pcs

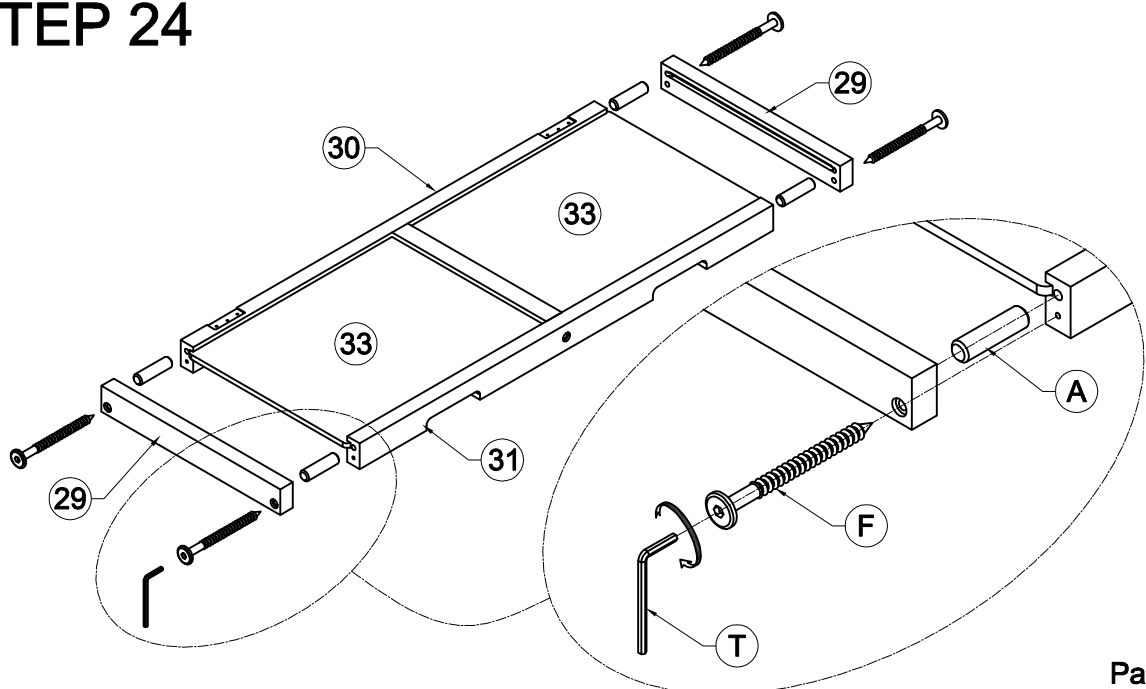
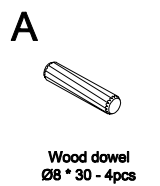
STEP 22



STEP 23

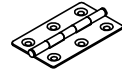


STEP 24



STEP 25

J

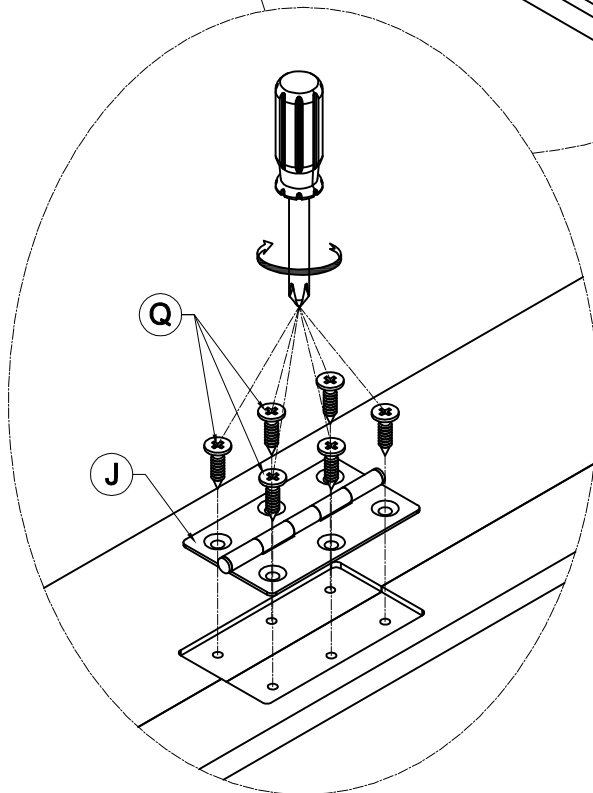
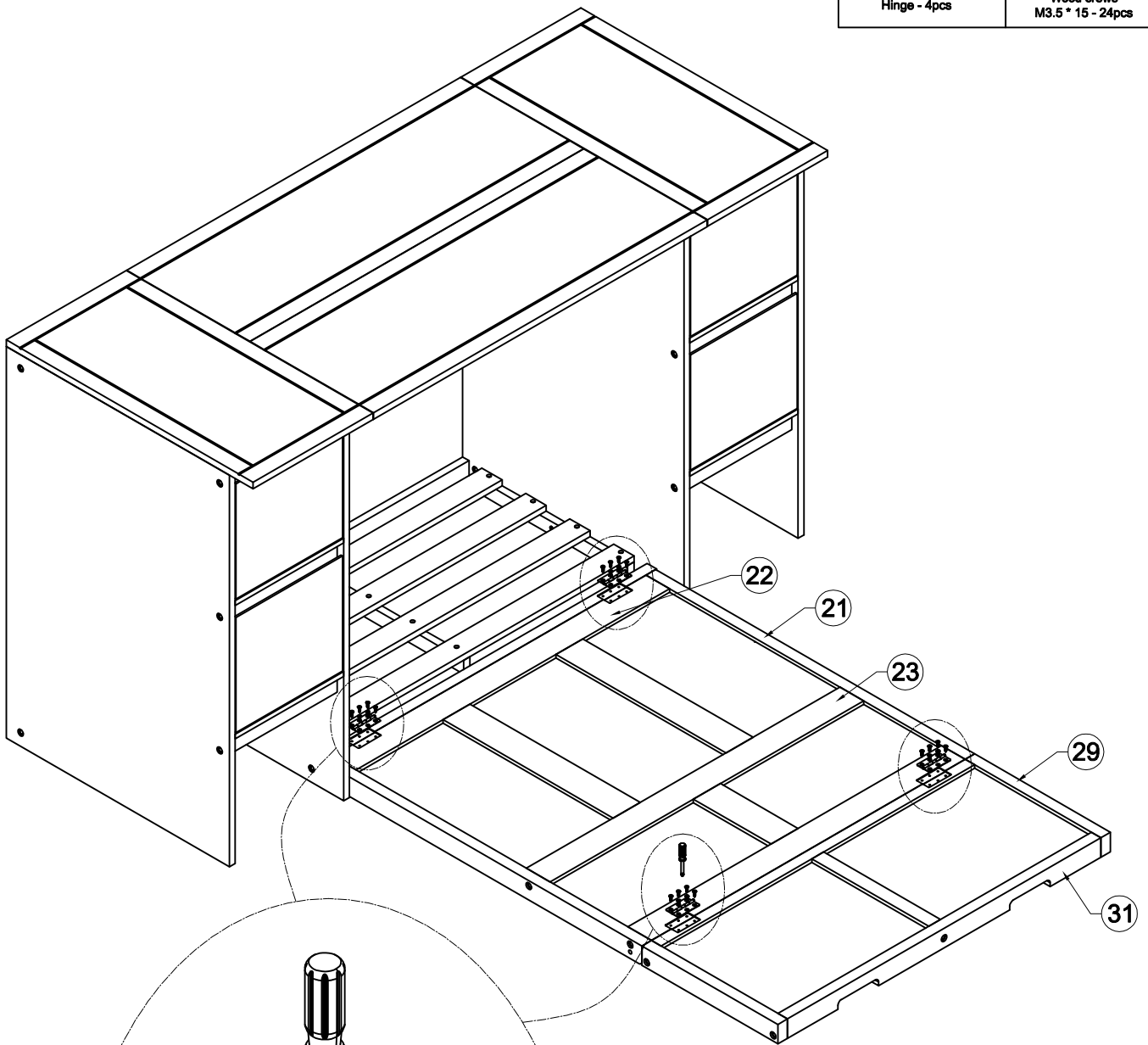


Hinge - 4pcs

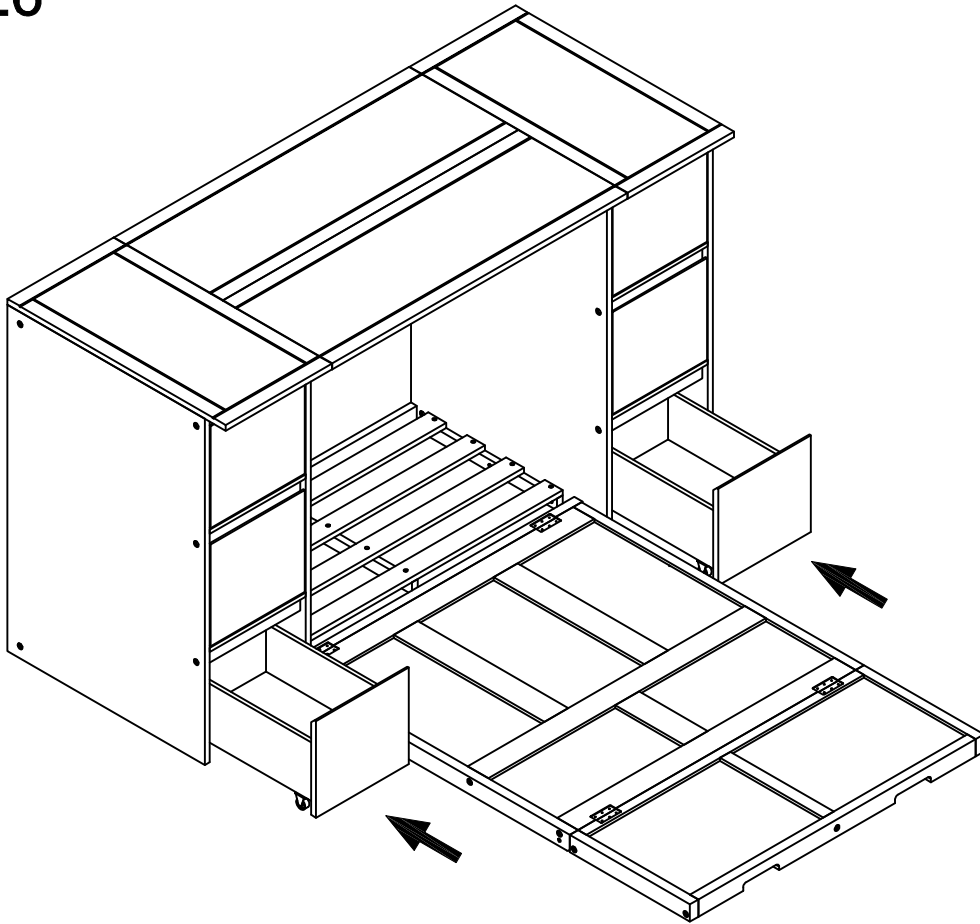
Q



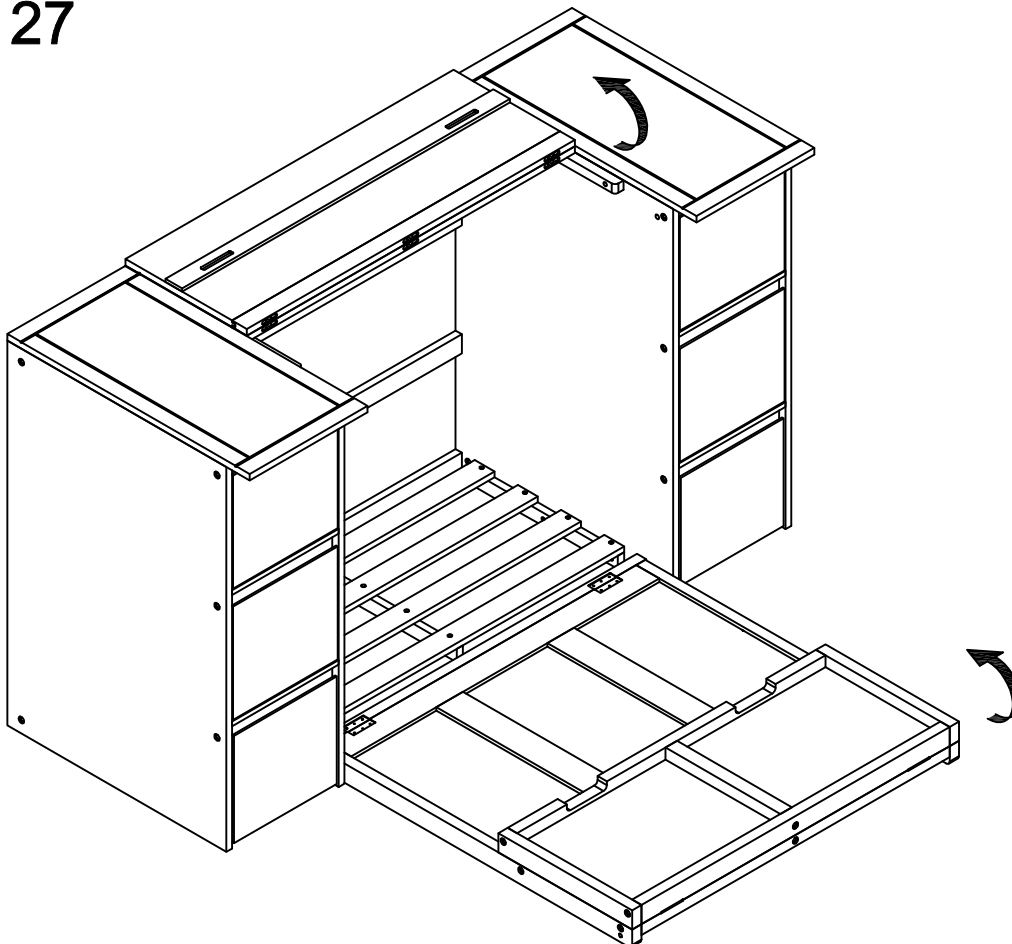
Wood screws
M3.5 * 15 - 24pcs



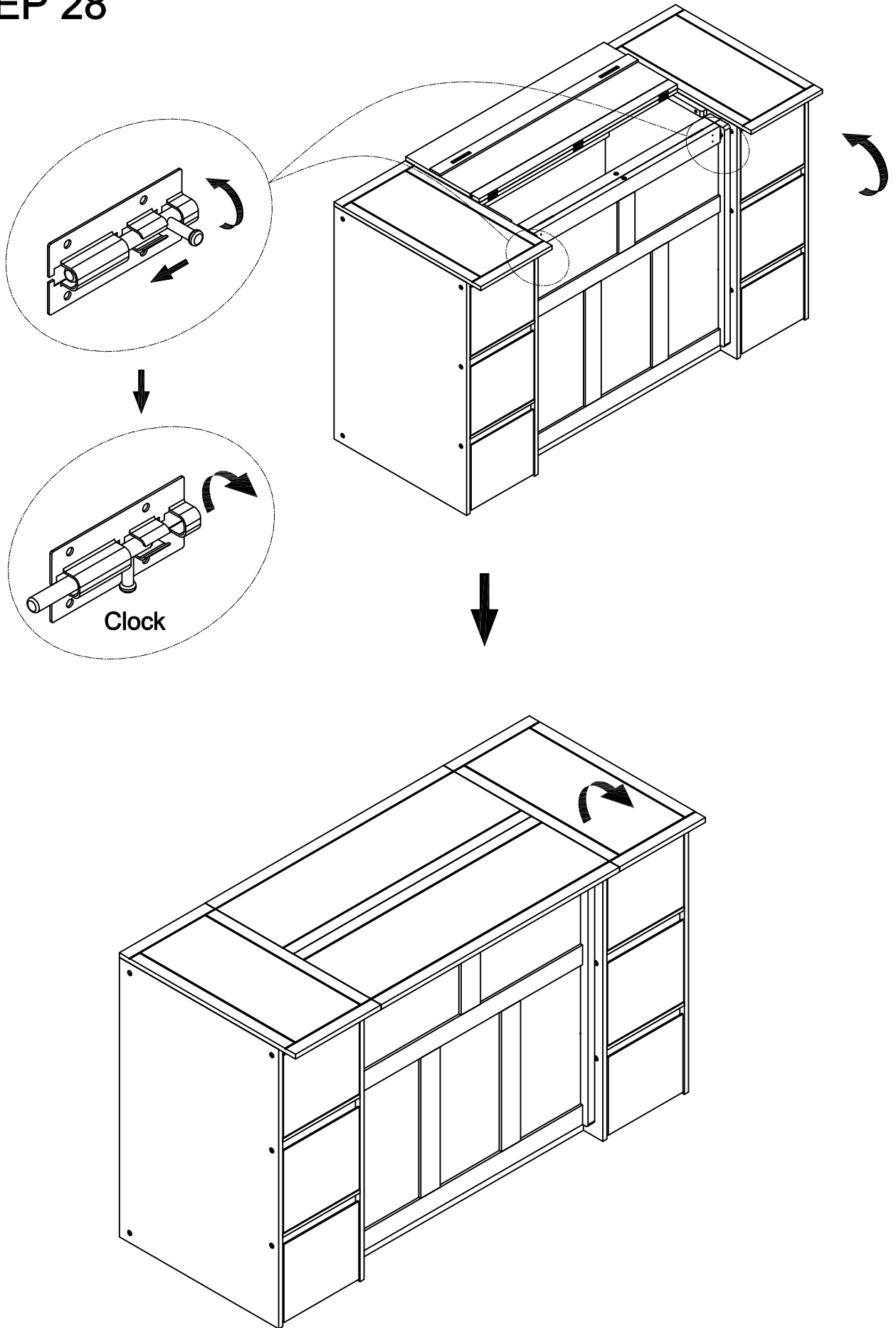
STEP 26



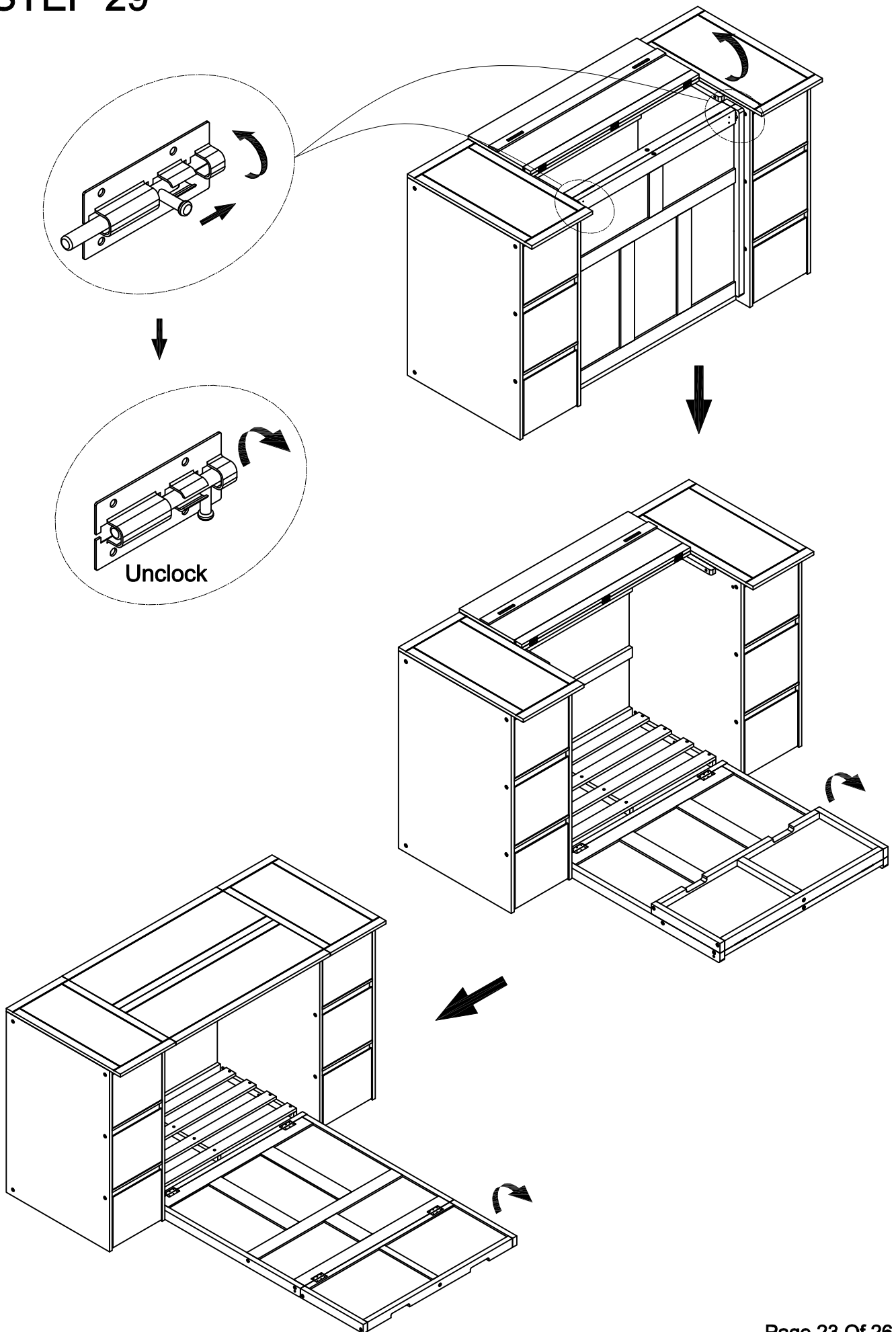
STEP 27



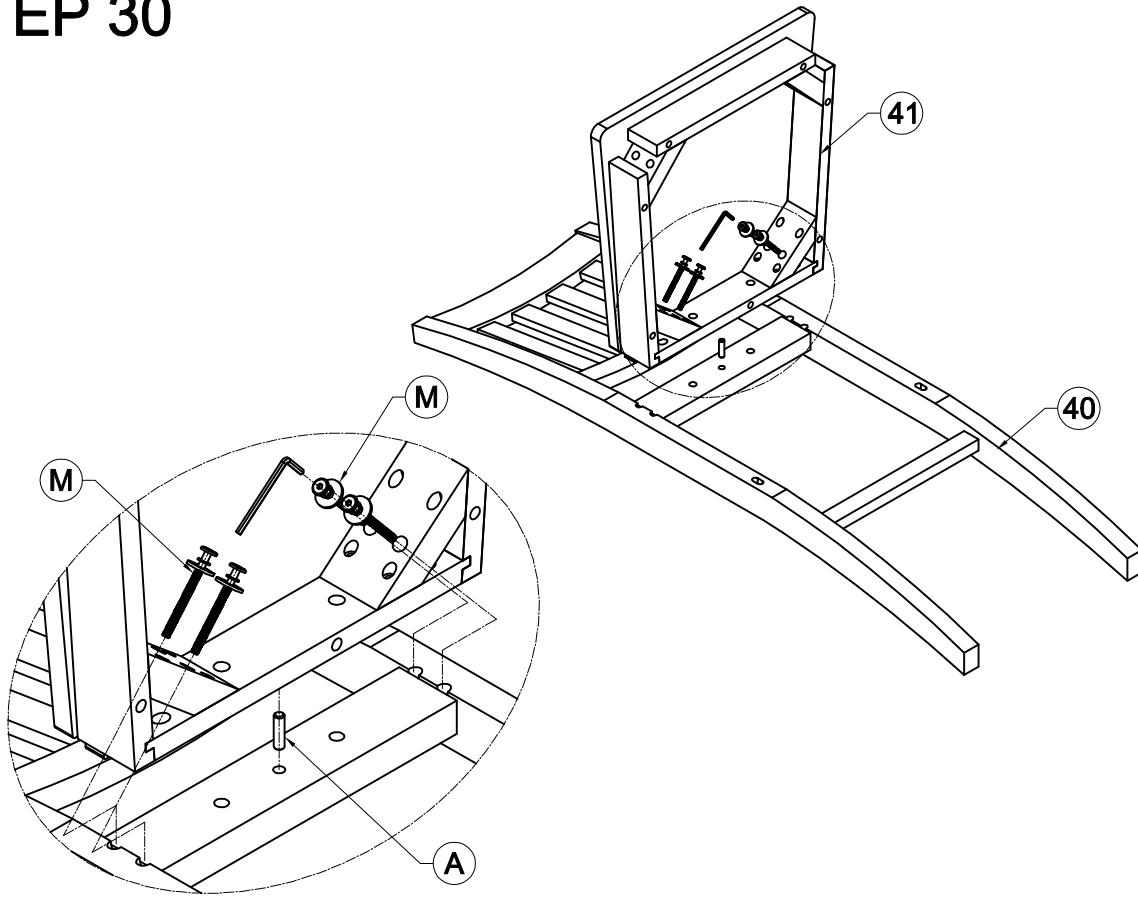
STEP 28



STEP 29



STEP 30

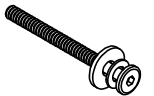


A



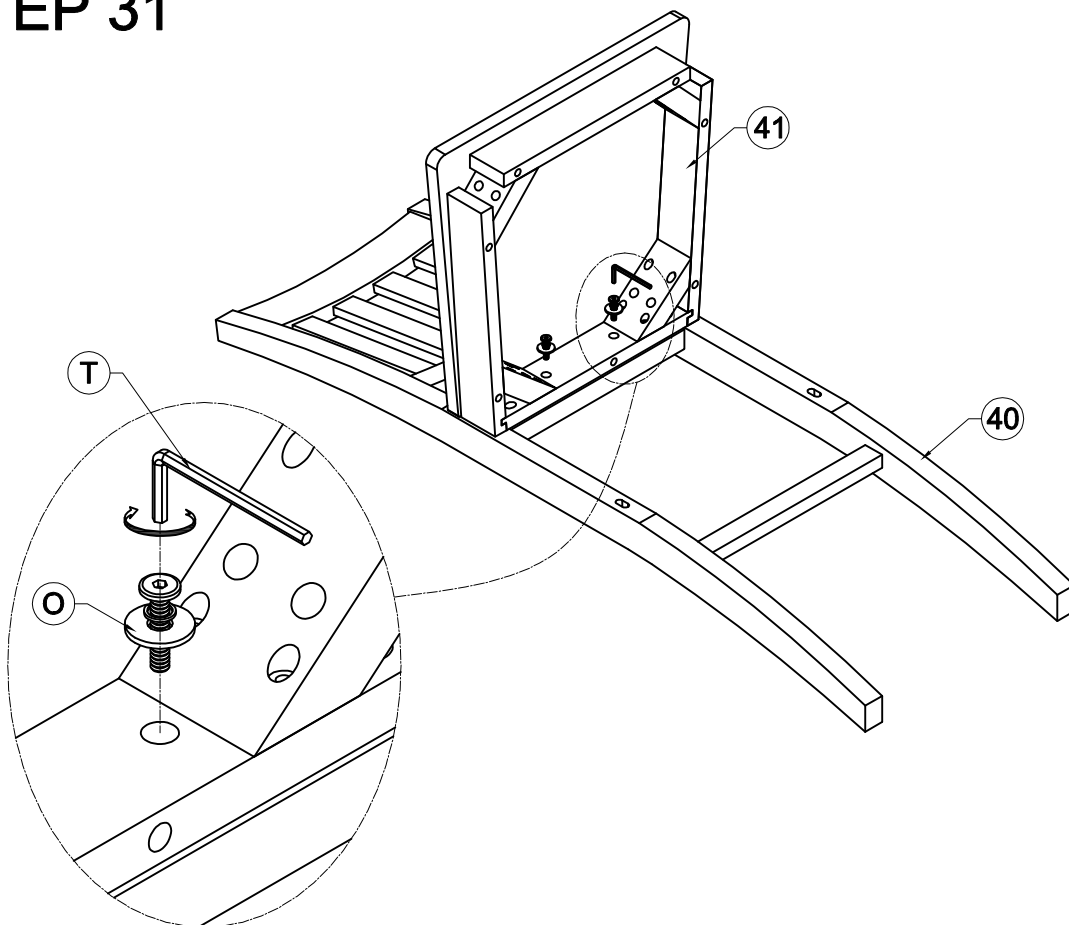
Wood dowel
Ø8 * 30 - 1pc

M



Hex - Head bolts
Ø5/16" * 90 - 4sets

STEP 31

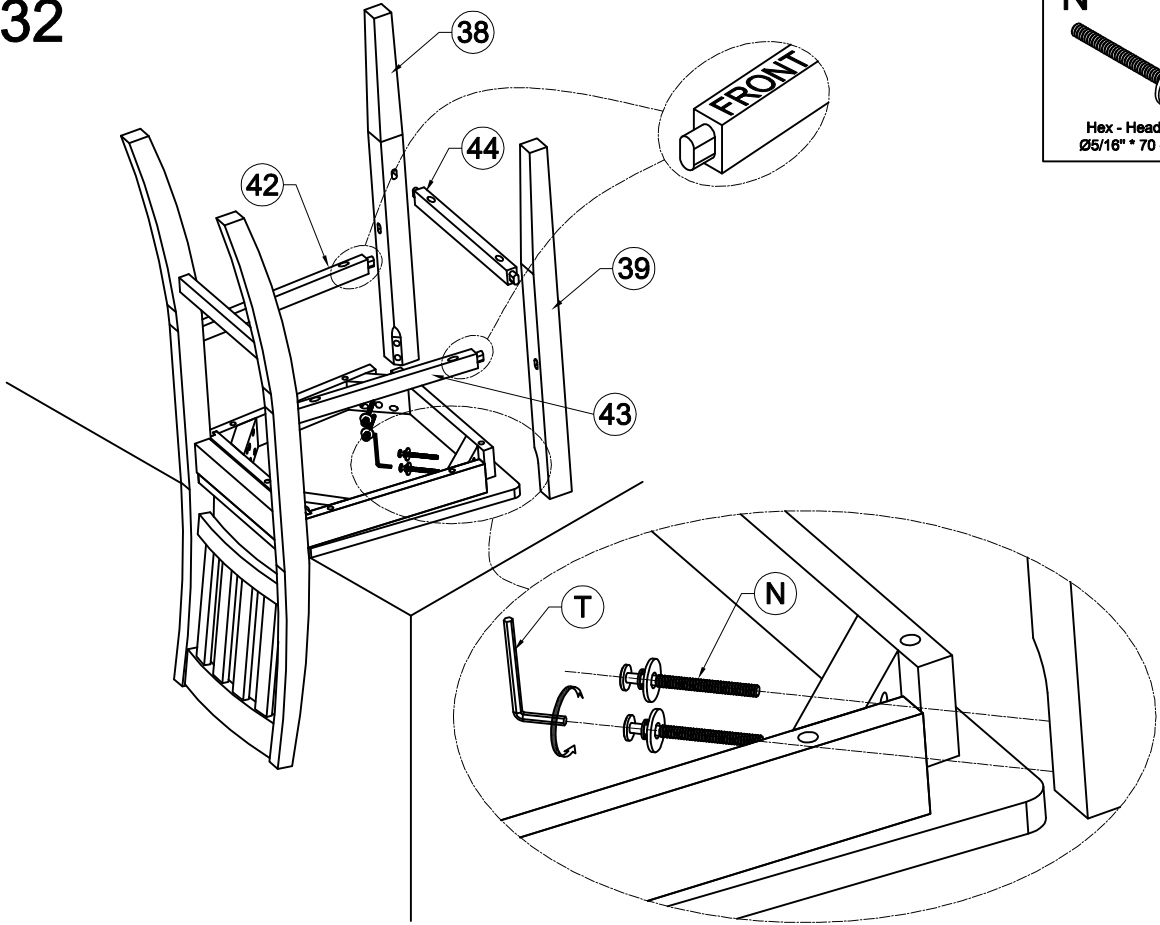


O

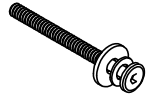


Hex - Head bolts
Ø5/16" * 40 - 2sets

STEP 32

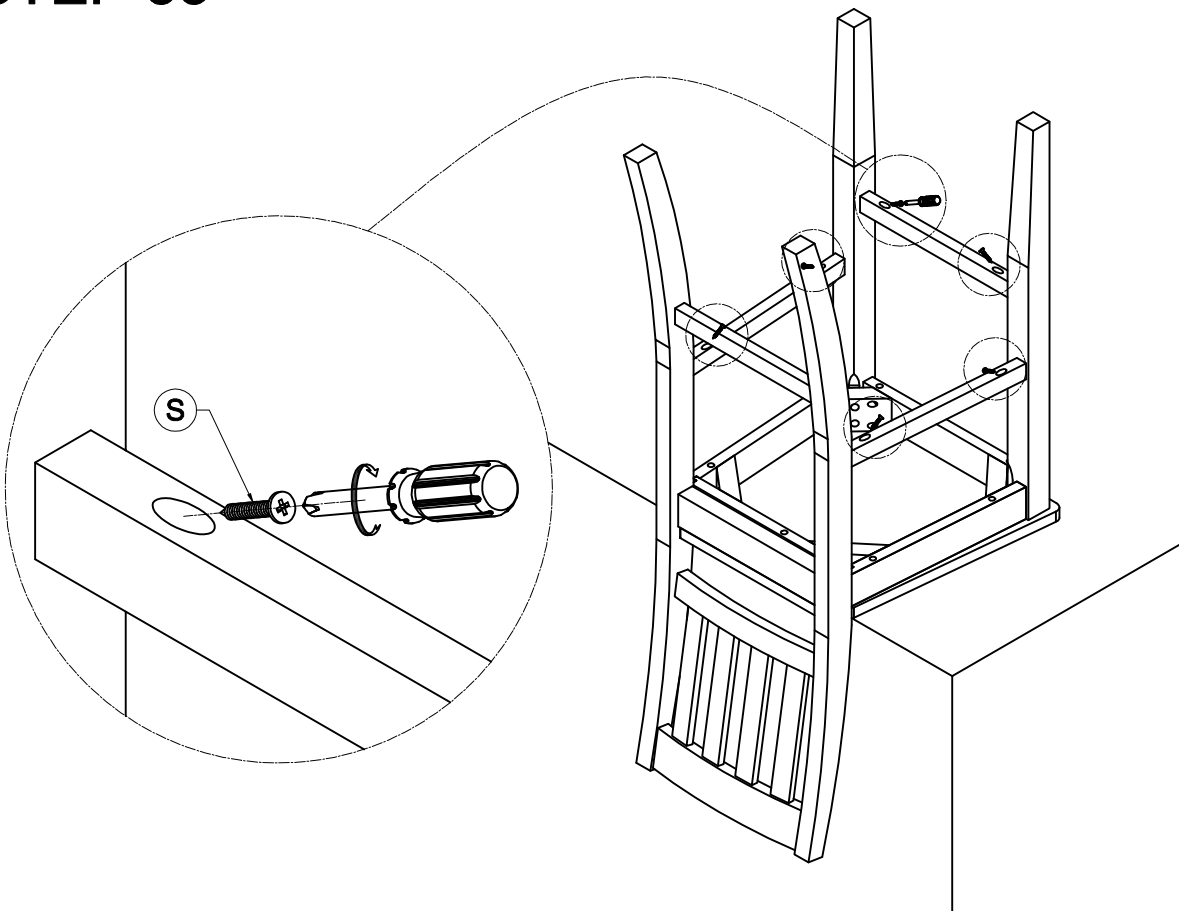


N



Hex - Head bolts
Ø5/16" * 70 - 4sets

STEP 33



S



Wood crews
M4 * 45 - 6pcs

COMPLETED

