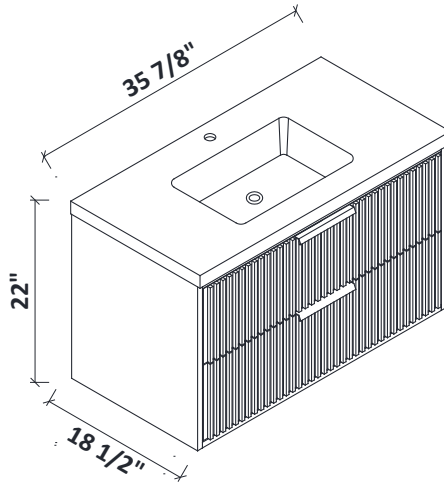
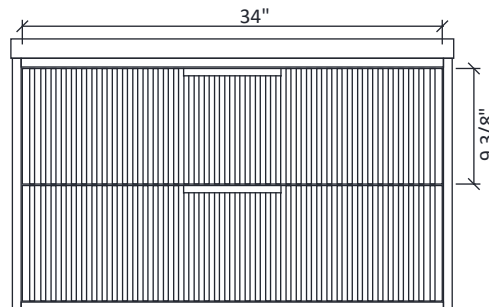
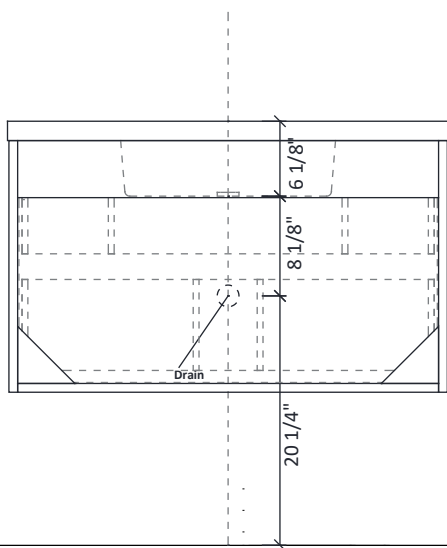
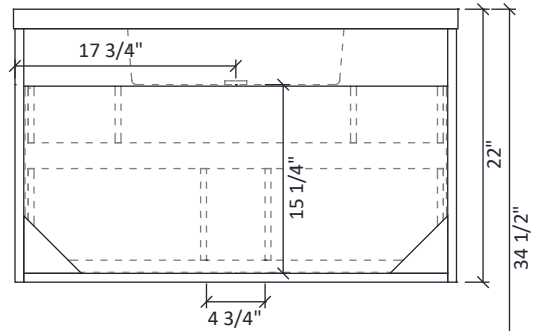
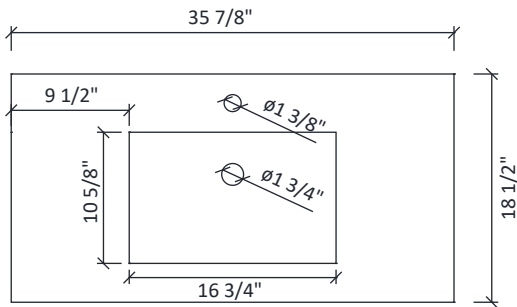


36 Floating Vanity Installation Instruction



DIMENSIONS



WARNING !

In the hole on the wall, please be sure to be careful to avoid the internal cables and pipelines.



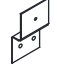


MATERIALS & TOOLS

Safety glasses, Pencil, Level, Tape measure, Stud Finder, Assorted screwdrivers, Assorted Wrenches, Drill, Screw gun, Caulking gun, Hammer, Screws, Nail anchors/Molly screws.

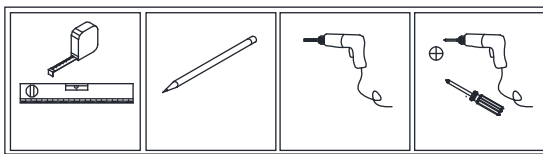
Vanity Installation

Step 1

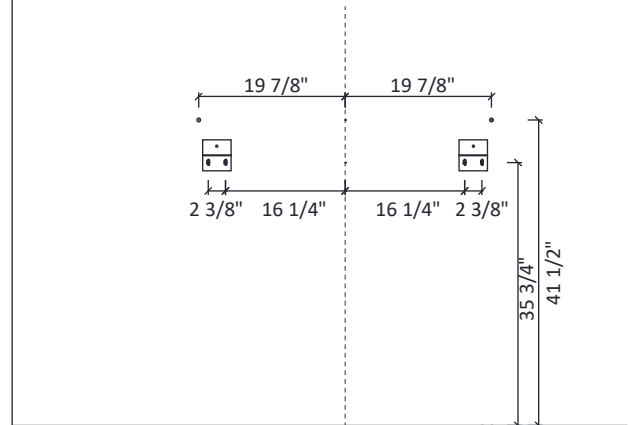
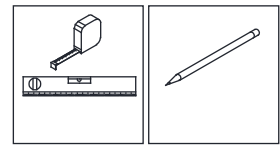
PARTS

 A x2	 6*45 B x6	 C x2	 D x6
 3.5*15 E x2			


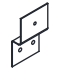

TOOLS REQUIRED

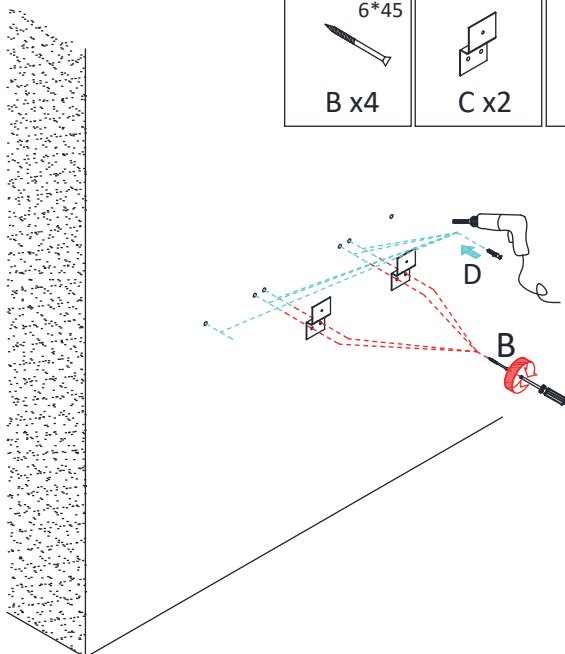


Step 2

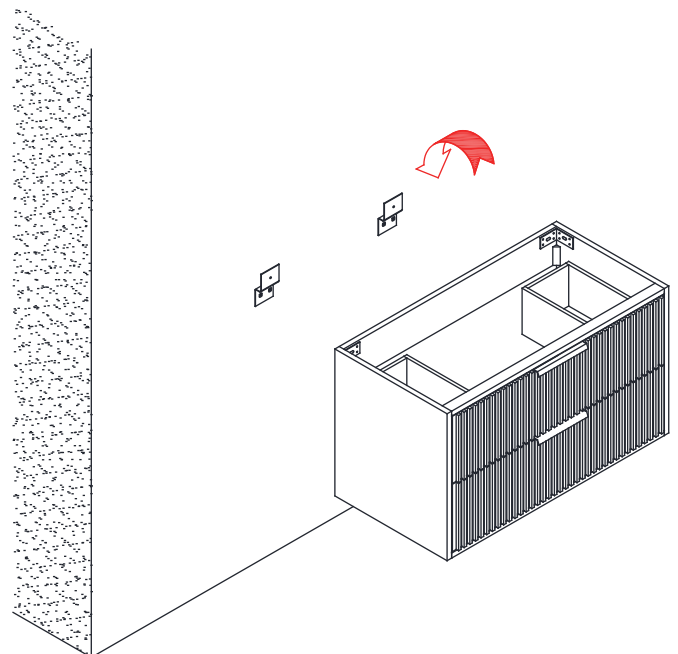


Step 3

 6*45 B x4	 C x2	 D x6
---	---	---

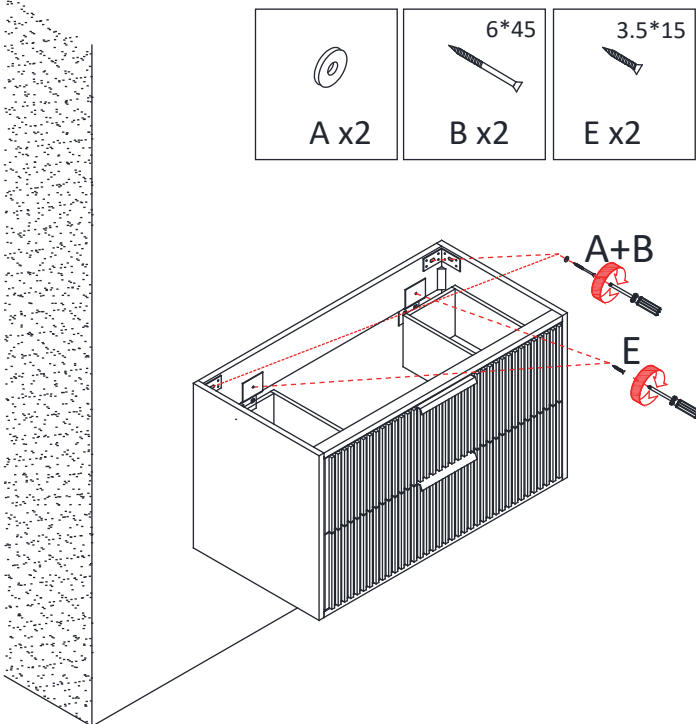


Step 4

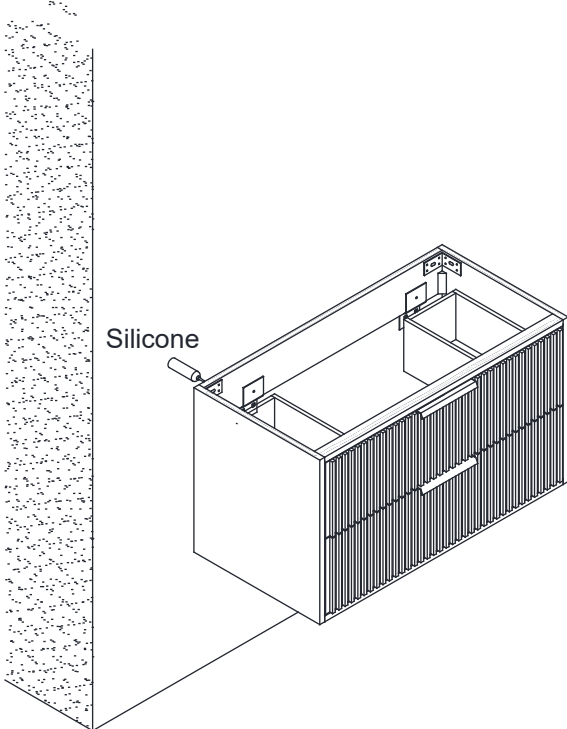


Vanity Installation

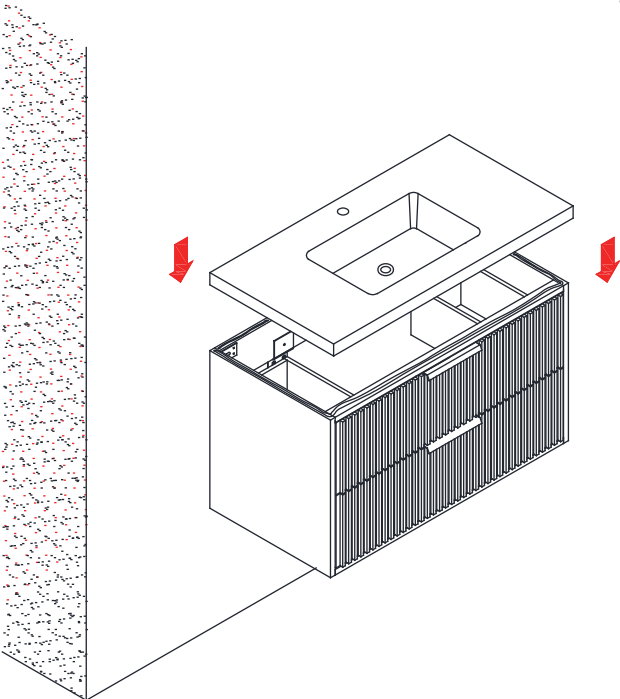
Step 5



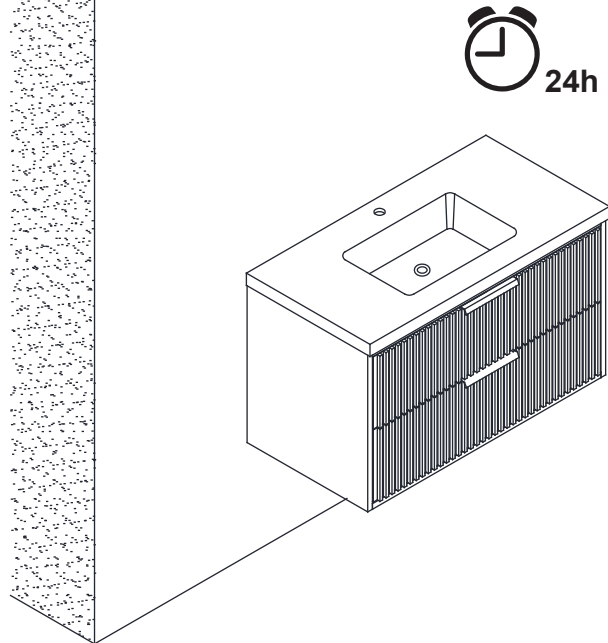
Step 6



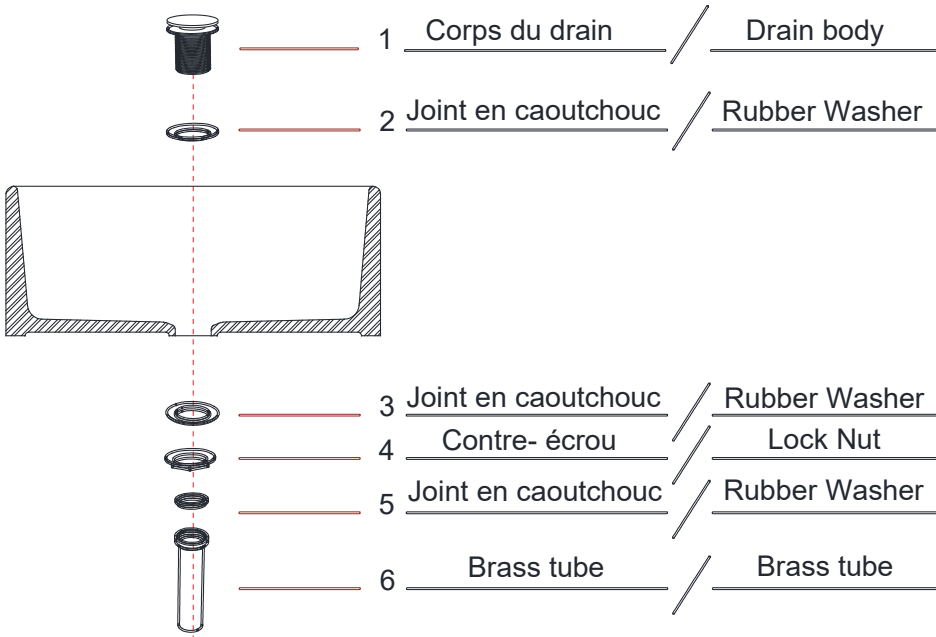
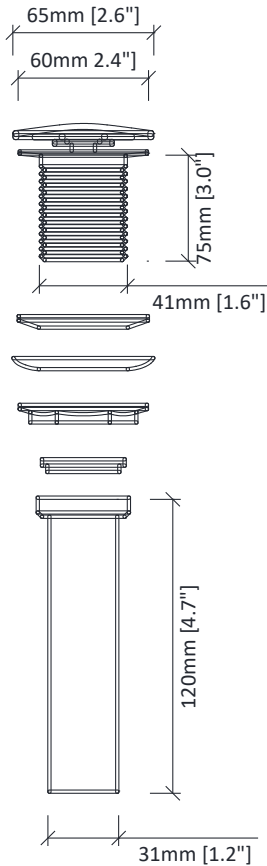
Step 7



Step 8



Drain Installation Instruction



WARNING !

In the hole on the wall, please be sure to be careful to avoid the internal cables and pipelines.

Installing all hardware components
can reduce risk occurrence



IMPORTANT CHILD SAFETY



1. For the installation process of this product, please install the product according to the steps of the product manual.
2. Unless specifically designed to accommodate, **DO NOT** set heavy objects on top of this product.
3. **Never** allow children to climb or hang on drawers, doors or shelves.
4. **Never** open more than one drawer at a time.
5. **DO NOT** tamper with or remove the drawer interlock system.
6. Use of anti-tip restraints may only reduce, but not eliminate, the risk of tip-over.
7. If hardware kit is missing, Please contact us.

CLIMBING ON THIS PRODUCT MAY RESULT IN SERIOUS INJURY