






Examine all packaging material for small parts that may have come loose during shipment. Periodic checks are recommended to insure that all components are in proper position, tight and free from damage. Keep this assembly instruction for future reference. Adult assembly is required.

HARDWARE LIST

- A (4) M6 x 40mm Allen Bolts
- B (4) Spring Washers
- C (4) Flat Washers
- D (6) 45mm Wood Screws
- E (1) Allen Wrench

PART	QTY	HARDWARE	PART	QTY	HARDWARE
A	4		B	4	
C	4		D	6	
E	1				

PARTS LIST

- F (1) Cushion Seat
- G (1) Box Frame
- H (2) Side Panels
- I (1) Center Support

STEP 1

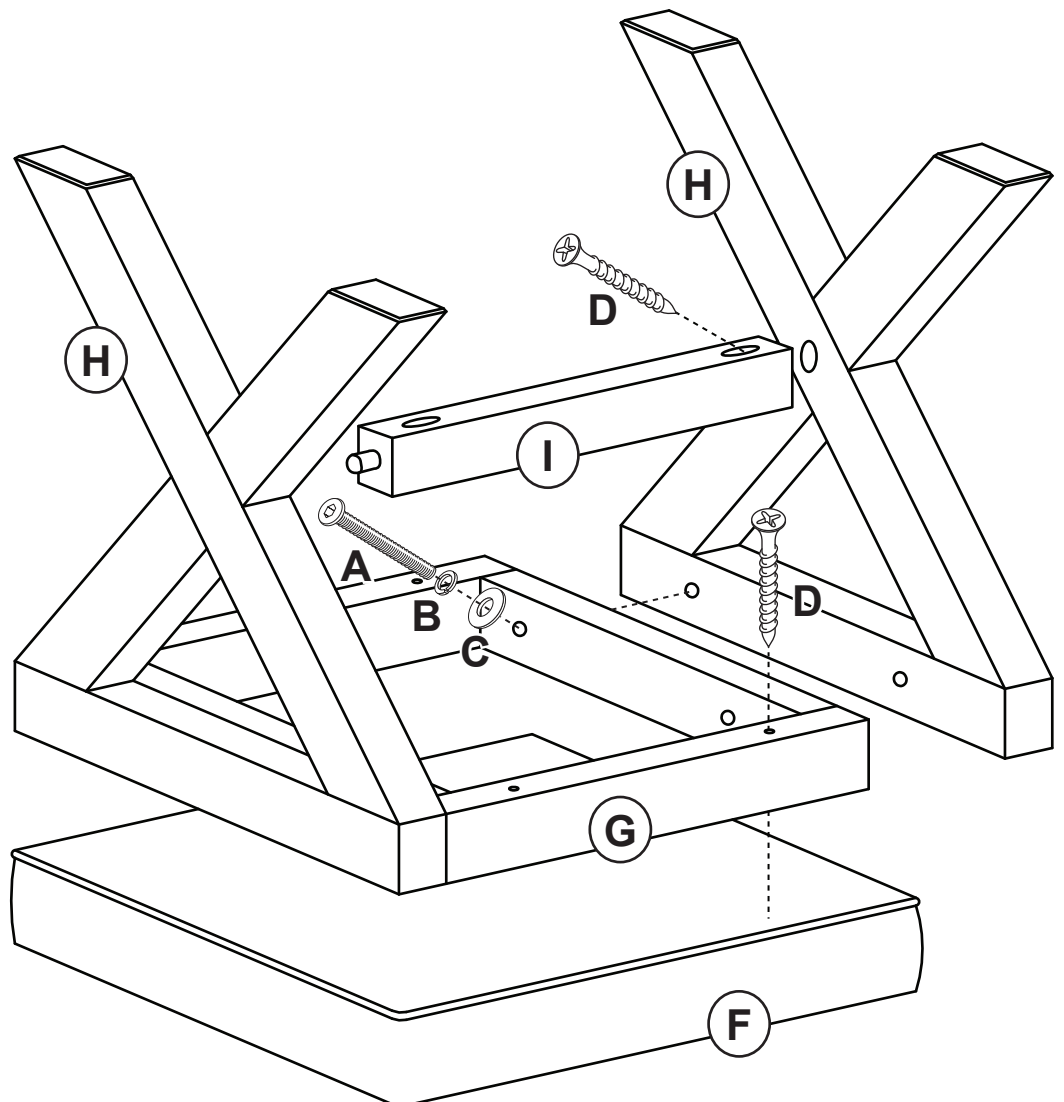
Begin assembly by turning the Box Frame (G) upside down on a clean smooth surface. Attach each Side Panel (H) to the frame by using 2 Allen Bolts (A), 2 Spring Washers (B) and 2 Flat Washers (C). Tighten all bolts with the Allen Wrench (E) provided. Do not fully tighten bolts.

STEP 2

Attach the Center Support (I) in between the Side Panels (H) with 2 Wood Screws (D). Tighten all bolts from Step 1.

STEP 3

Attach the Cushion Seat (F) to the Box Frame (G) with 4 Wood Screws (D). Tighten screws with philips head screwdriver not included. The assembly is now complete.



CARE & MAINTENANCE: The touch of a soft cloth is all the maintenance the finish will ever need. Please do not use harsh or abrasive cleaners for polishing, as they may cause damage to the finish. Periodic checks are recommended to make sure that all bolts, screws and nuts are securely tightened.