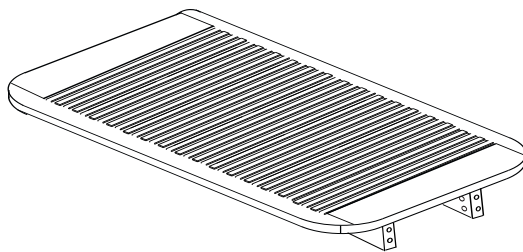
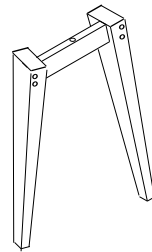


Ex1

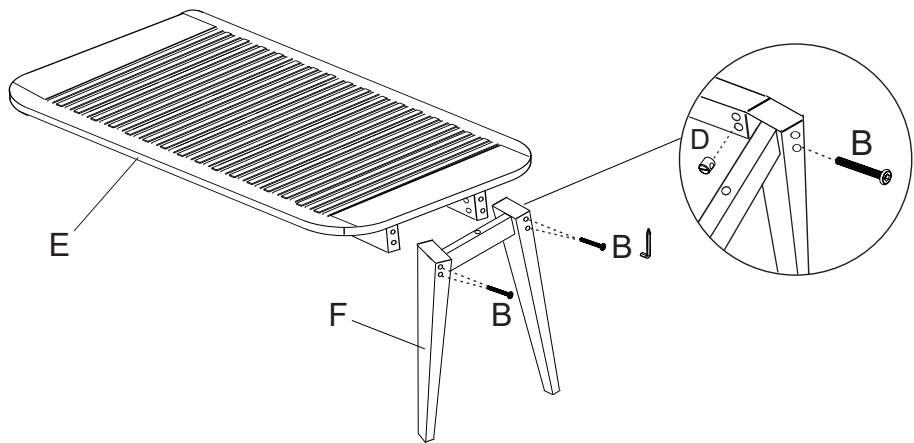
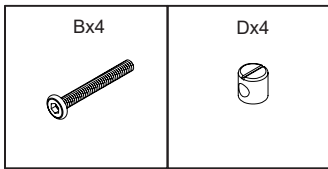


Fx2

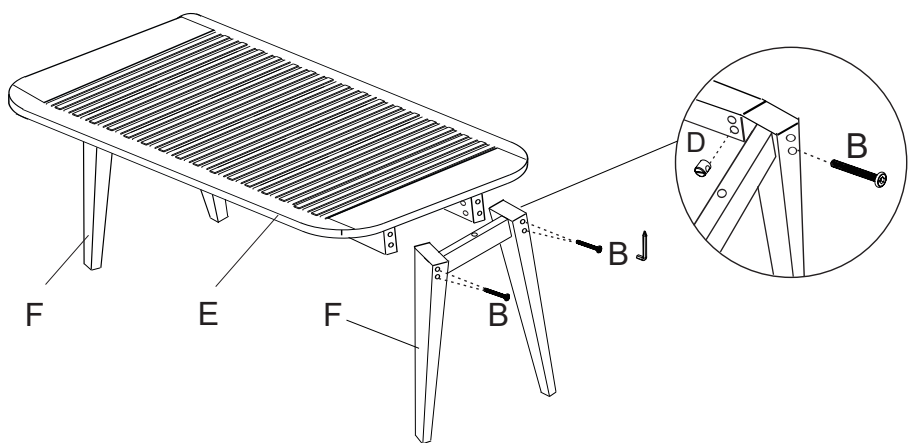
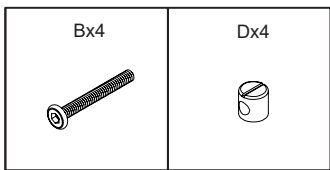


Please check the hardware and the individual components before installation. As you unpack and prepare for assembly, place the contents on a carpeted or padded area to protect them from damage.

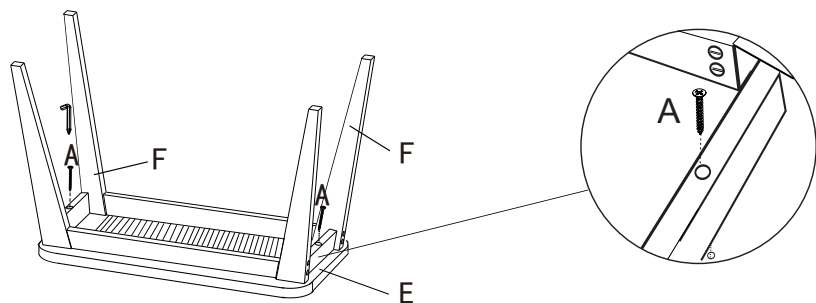
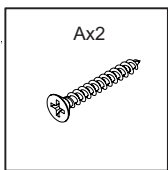
1



2

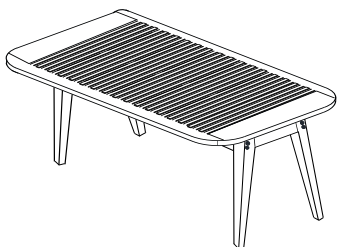


3

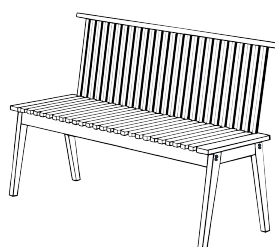


4

Done. And this bench can be used in two ways by flipping its top as its back as needed.



Folded



Top Flipped

5

Warm Tips:
 * Hardware may loosen over time. Periodically check that all connections are tight.
 * As this is hand-finished with wood, the warranty does not cover naturally occurring distressing, holes, dents, discoloration, scratches, etc.