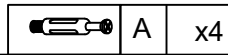
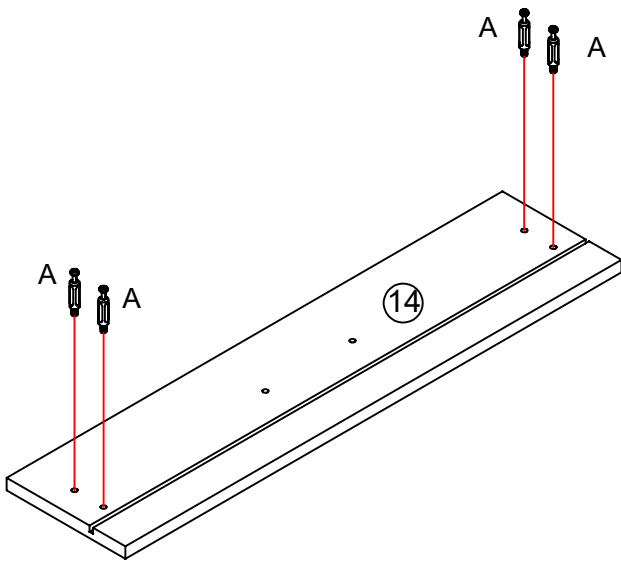
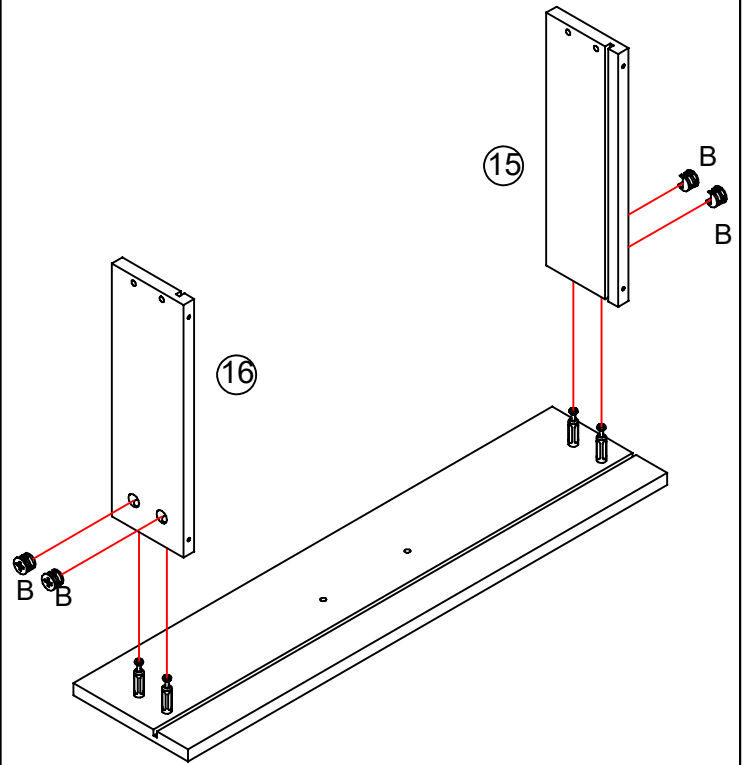


① x1	② x1	③ x1	④ x1	⑤ x1
⑥ x1	⑦ x1	⑧ x1	⑨ x2	⑩ x2
⑪ x2	⑫ x1	⑬ x2	⑭ x1	⑮ x1
⑯ x1	⑰ x1	⑱ x1	A M6x35 x12	B Ø12 x12
C M4x35 x22	D M4x12 x72	E M5 x12	F M6x30 x8	G x4
H 96MM x5	J M4x16 x10	K x4	M x4	Z Ø15 x30
CR 250MM x1	DR 250MM x1	CL 250MM x1	DL 250MM x1	

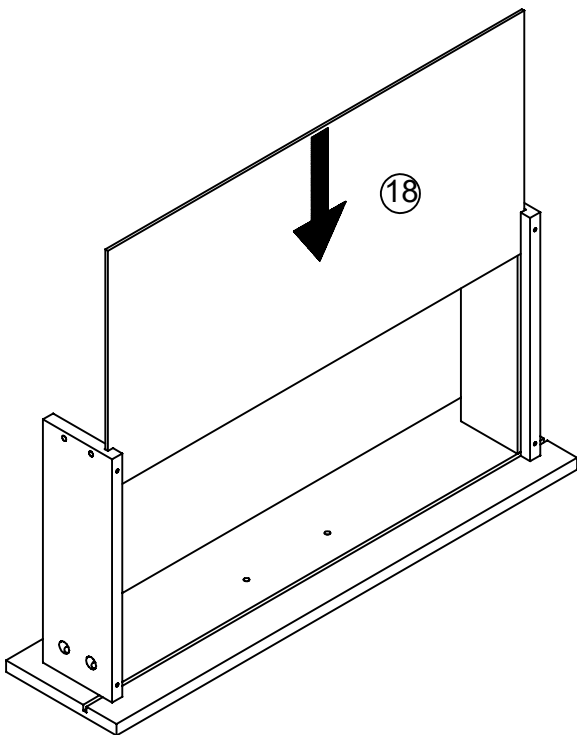
1



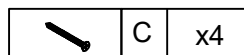
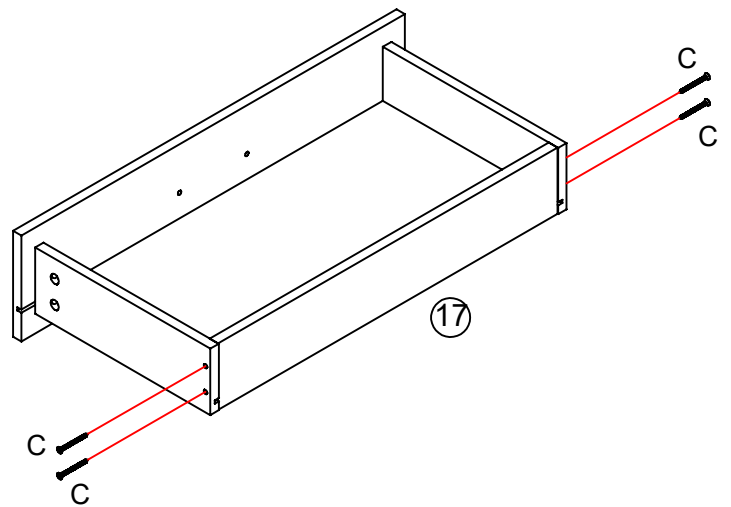
2



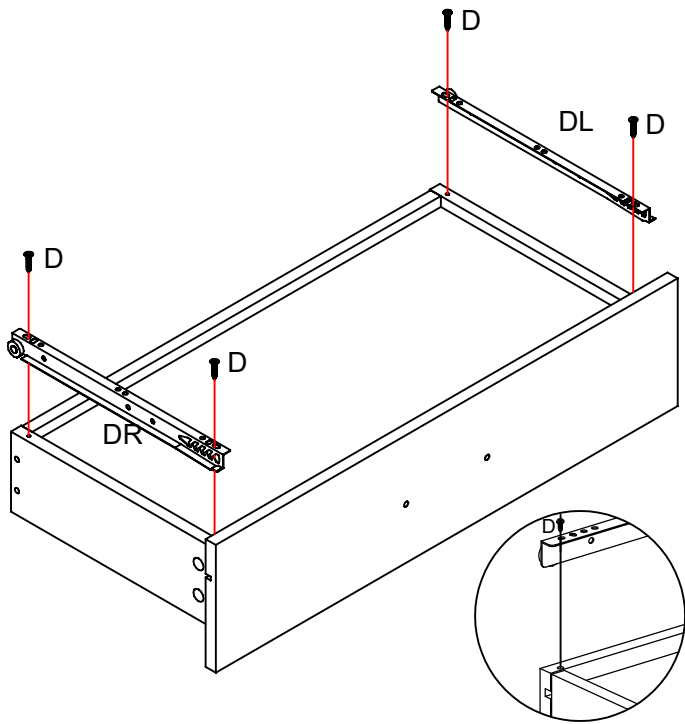
3



4

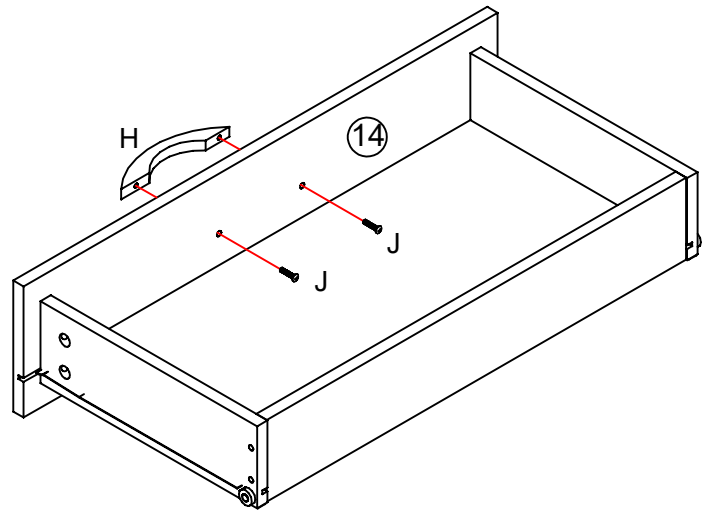


5



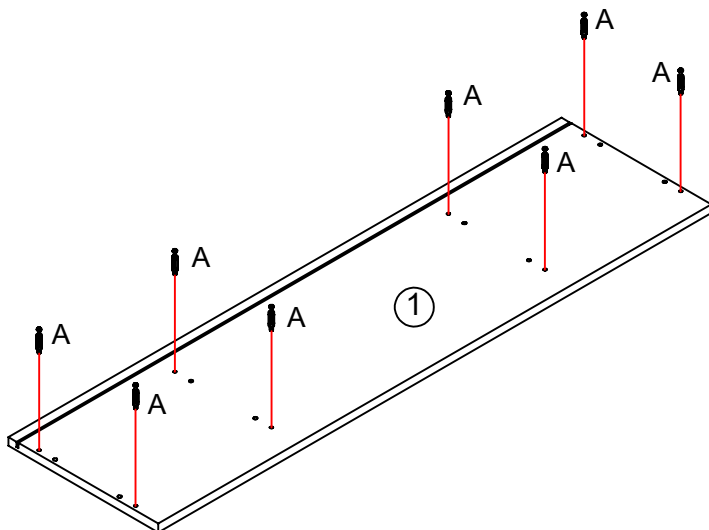
	DR	x1
	DL	x1
	D	x4

6



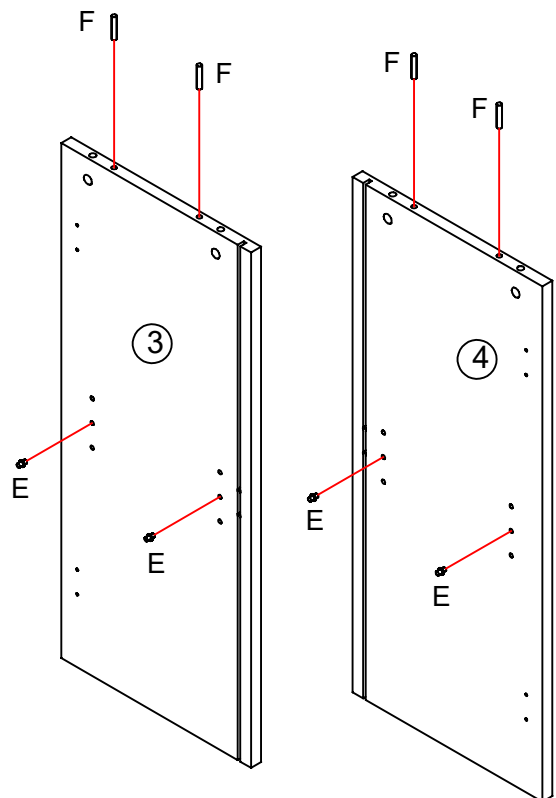
	J	x2
	H	x1

7



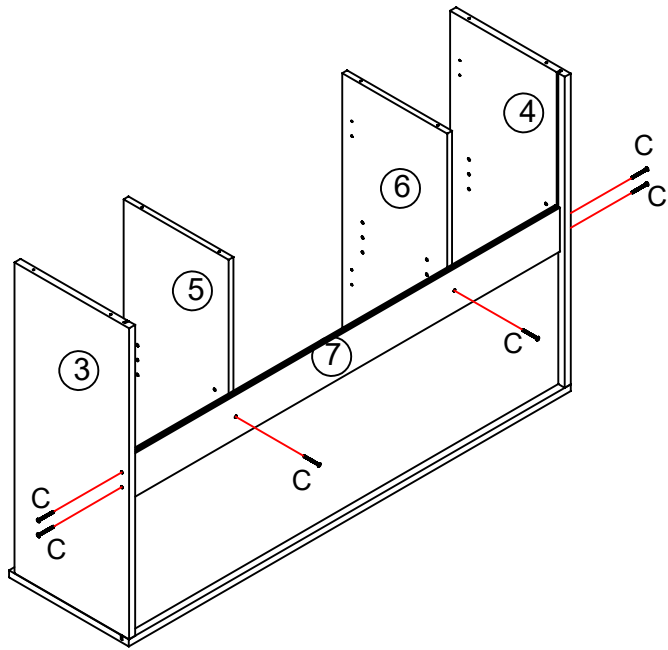
	A	x8
--	---	----

8

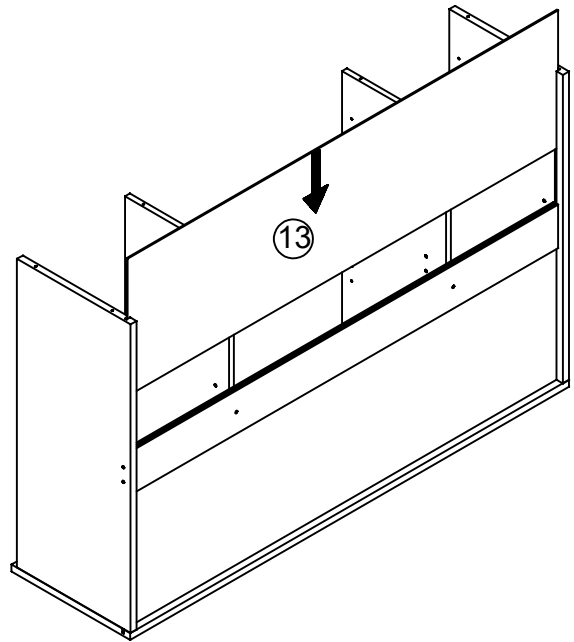



	E	x4
	F	x4

13

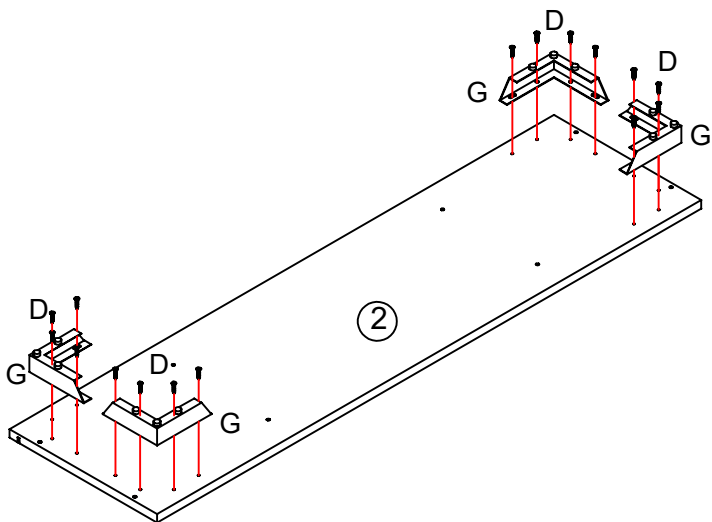


14

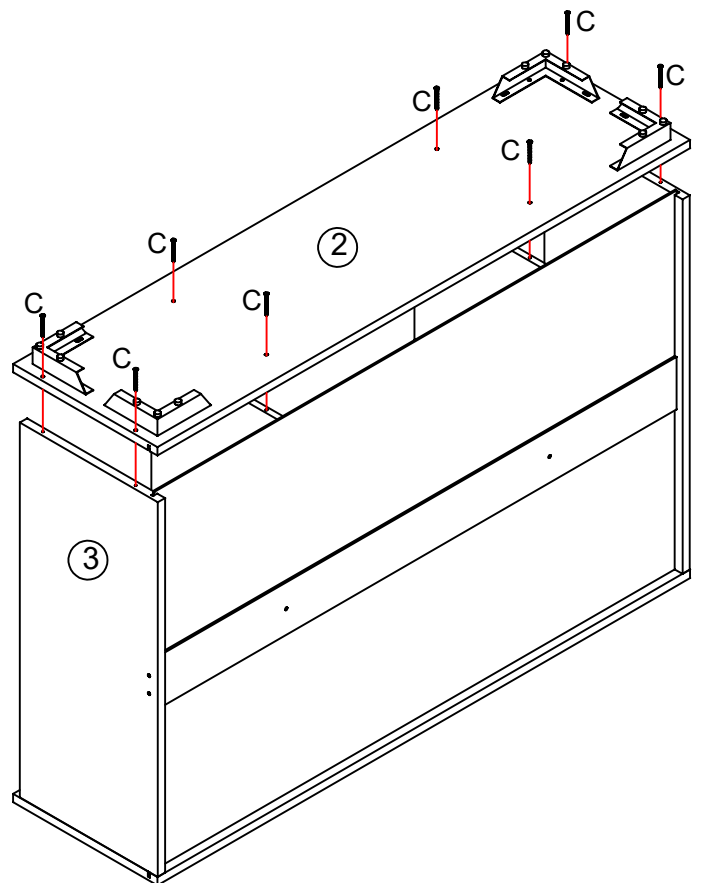




	C	x6
-------------------------------------------------------------------------------------	---	----


15



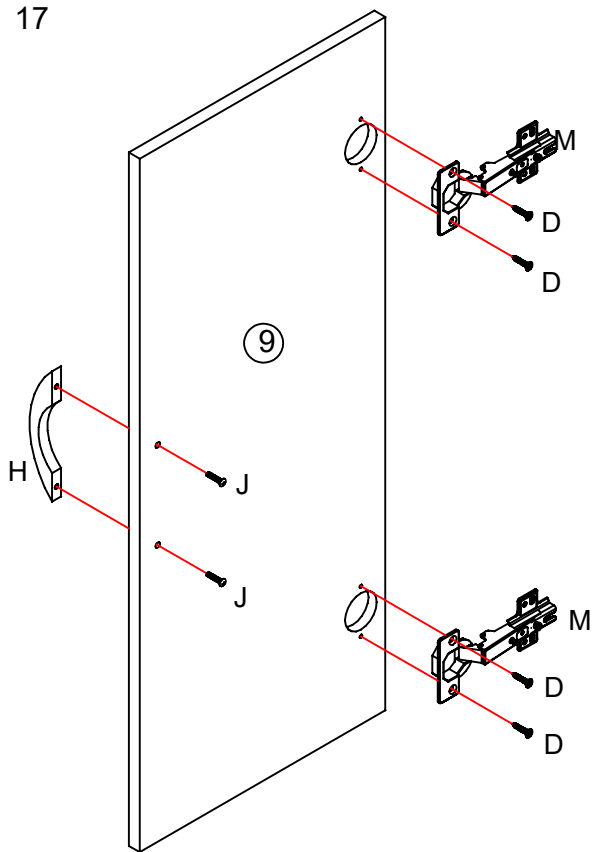
16







	G	x4
	D	x16

	C	x8
---------------------------------------------------------------------------------------	---	----

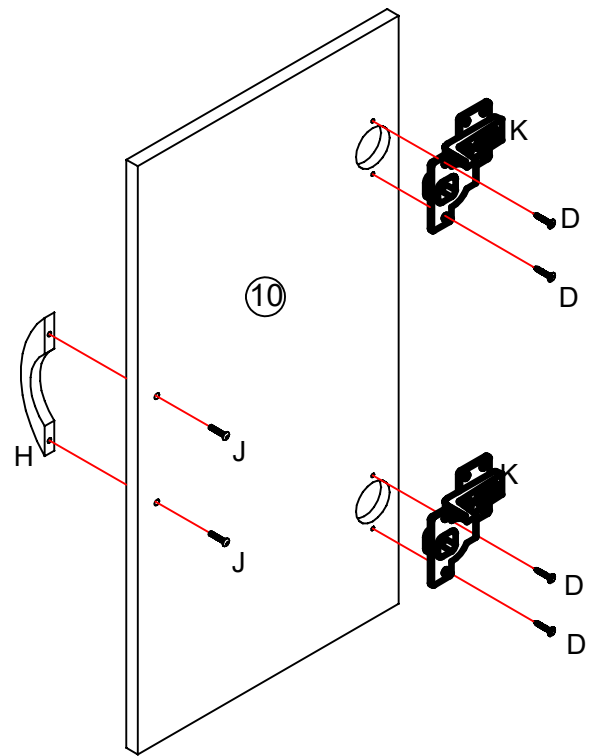
17







x2

	M	x4
	J	x4
	H	x2
	D	x8

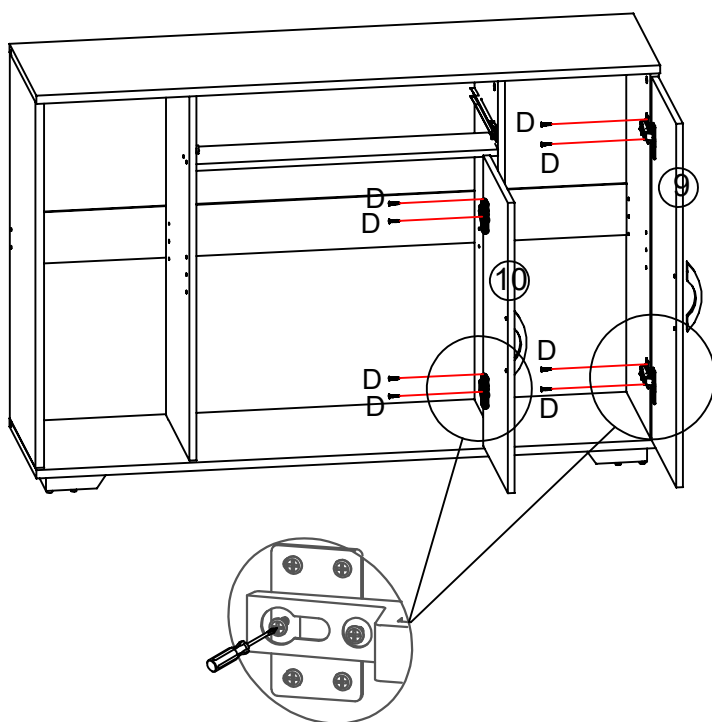
18




x2

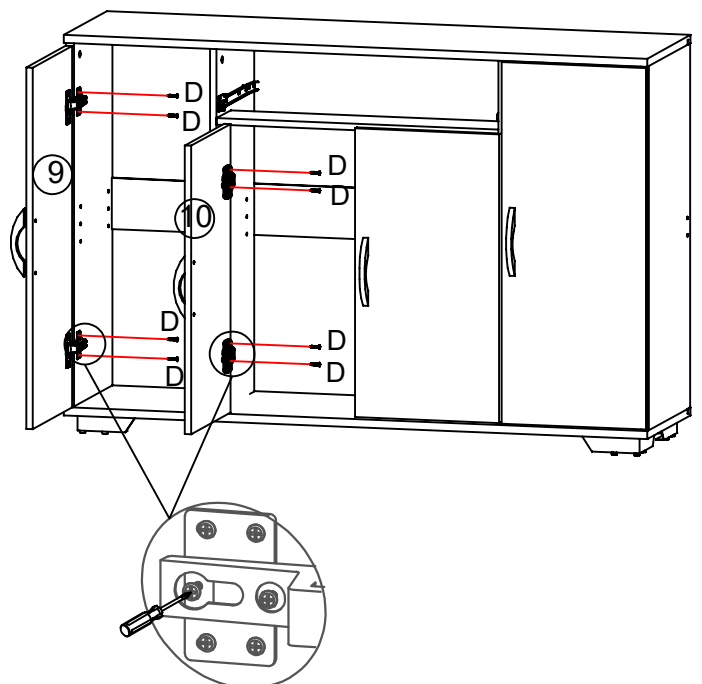
	K	x4
	J	x4
	H	x2
	D	x8


19



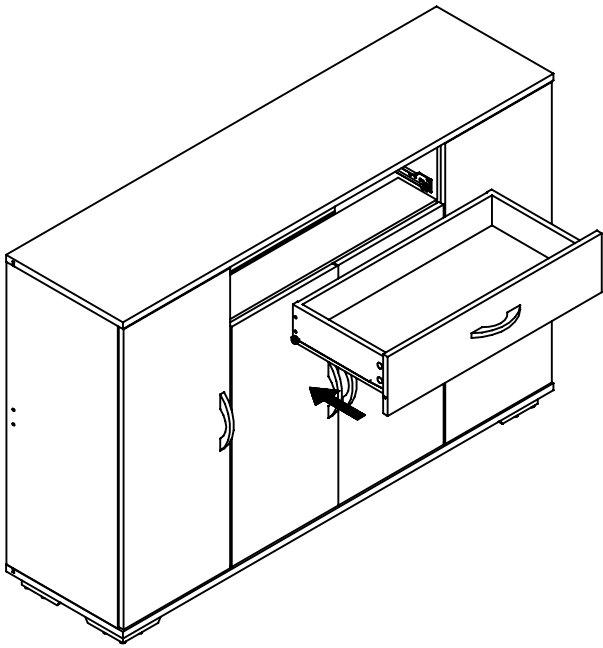
	D	x8
-------------------------------------------------------------------------------------	---	----

20

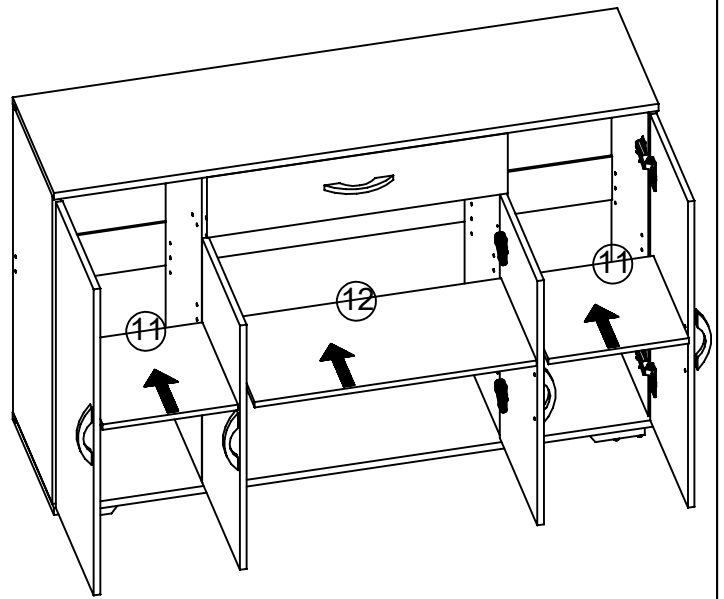


	D	x8
---------------------------------------------------------------------------------------	---	----

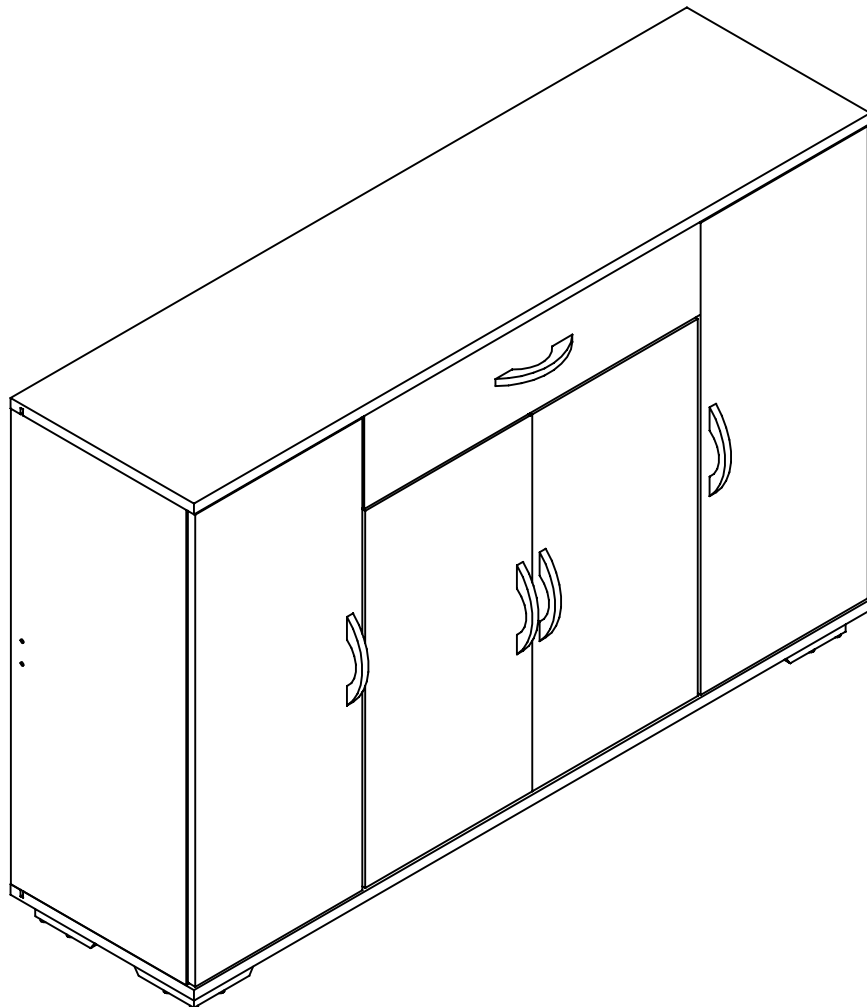
21

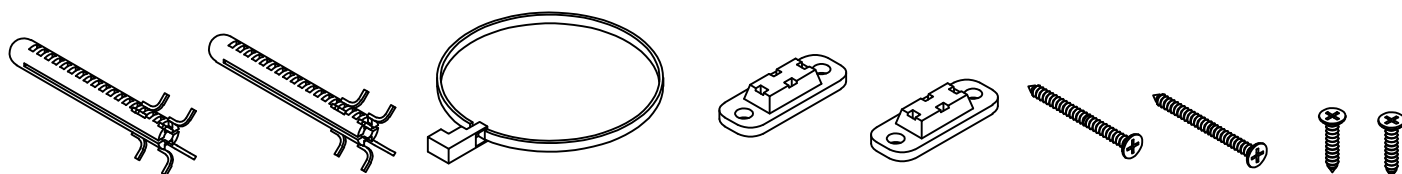


22

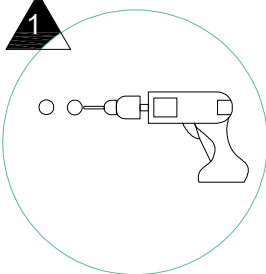


23



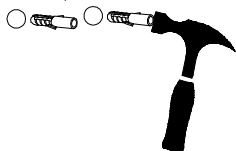


1



2

wall space



3

