

ASSEMBLY INSTRUCTION

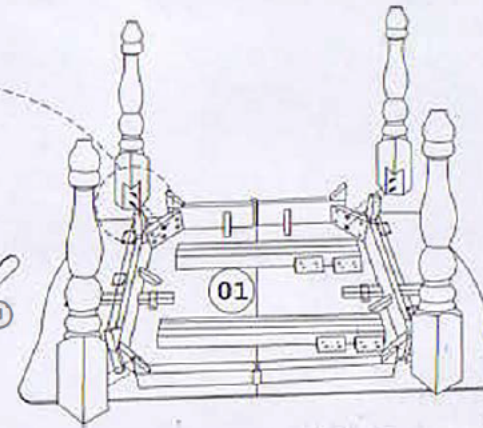
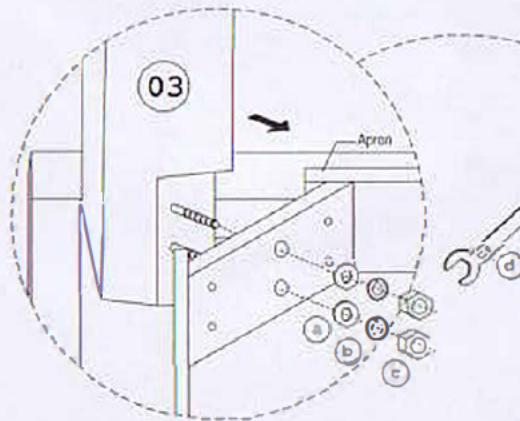
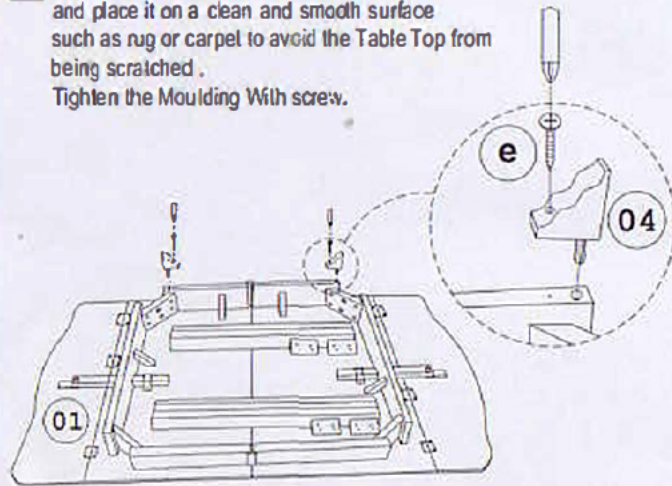
Extension Drop Leaf Dining Table

34" x 34" x (1- 18" Leaf) x 52"L x (2-10" Leaf) x 72" x 30"H

2 Fix the turned Leg to the corner of the apron with the Flat Washer, Spring Washer And Hex Nut using the Spanner to tighten it.

3 Repeat the same step for the other three Legs .

1 Turn the under side of the Table Top over and place it on a clean and smooth surface such as rug or carpet to avoid the Table Top from being scratched .
Tighten the Moulding With screw.



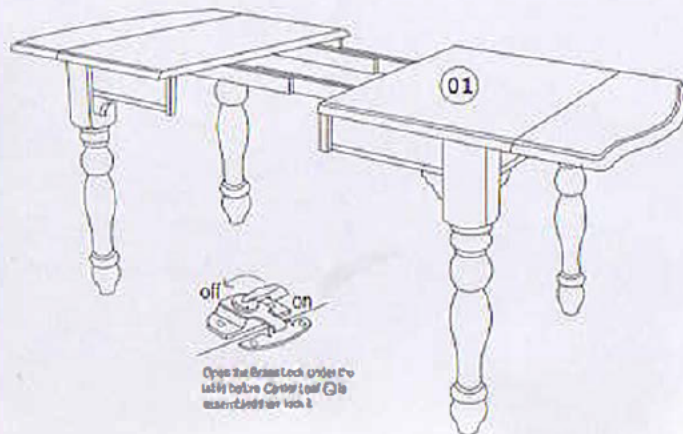
List of Part

01		Table Top	1
02		Center Leaf	1
03		Table Leg	4
04		Moulding	8

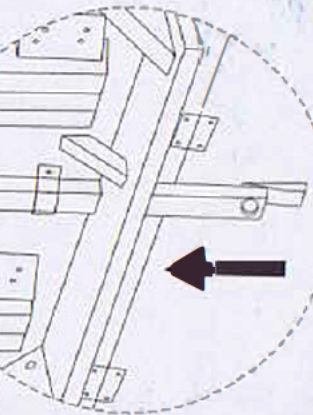
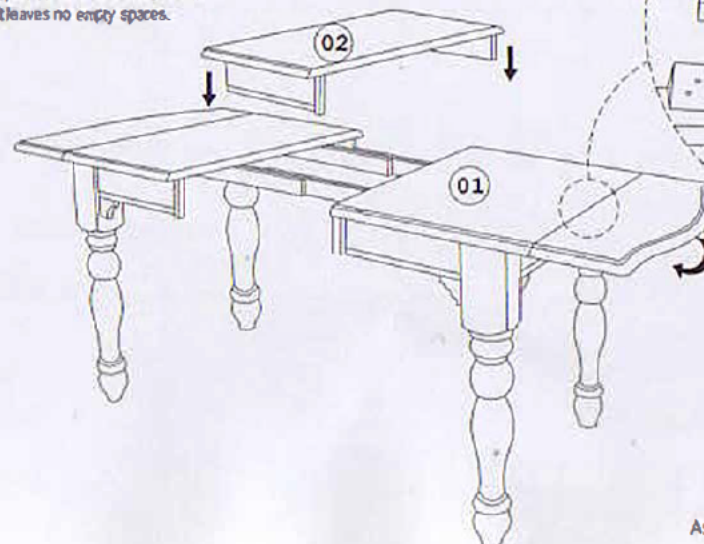
List of hardware

a		Flat Washer	8
b		Spring Washer	8
c		Hexagon Nut	8
d		Spanner	1
e		PHRS Screw #8 x 1"	8

4 Turn the assembled Table over carefully, pull the Table Top to both side.



5 Put the Center Top in center & end close to the Table Leaf until it leaves no empty spaces.



Assembly Completed !!

⚠ Important Notes

- Keep all hardware parts out of reach of children.
- Must tighten screws periodically. With use screws will become loose. Check tightness of all screws every 6-8 weeks.
- Don't attempt to repair or modify parts that are broken or defective. Please contact the store immediately.
- Do not tighten all screw / bolt until all completely assembled.