

PRE-CUT WALL MOLDING

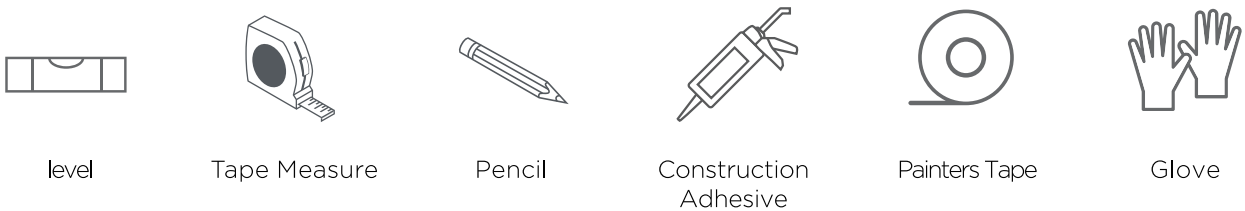
INSTALLATION INSTRUCTIONS

LAYOUT OF MOLDING TRIM

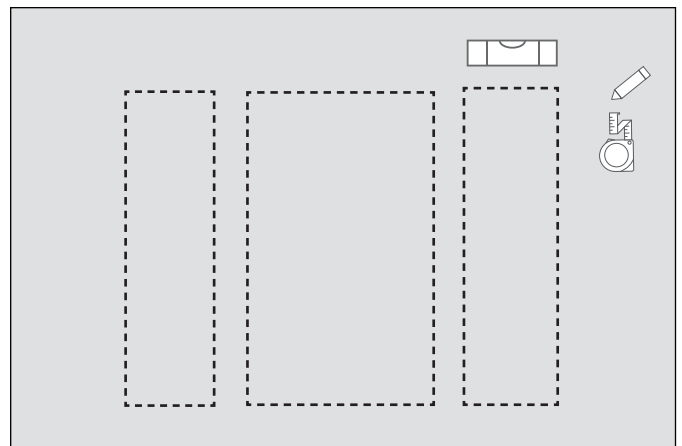
SMART TIP We recommend that the installation interval is **7.87inch**, and also can be adjusted according to its own wall surface to achieve a beautiful effect.

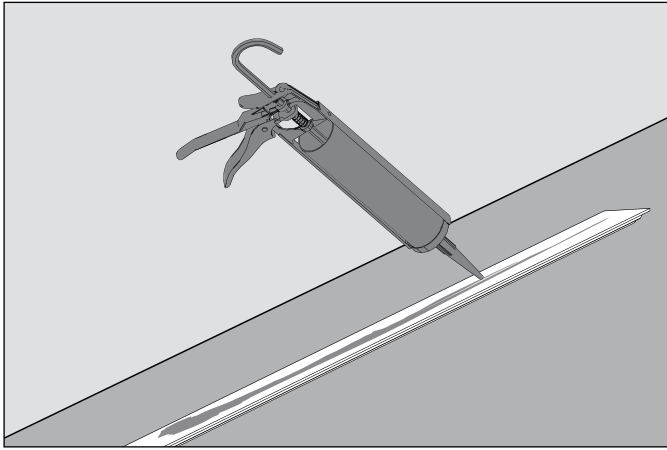
1	24"	4 Pieces
2	24"	2 Pieces
3	24"	2 Pieces
4	33"	6 Pieces
5	31.5"	6 Pieces
6	31.5"	6 Pieces

STEP 1 Gather your tools



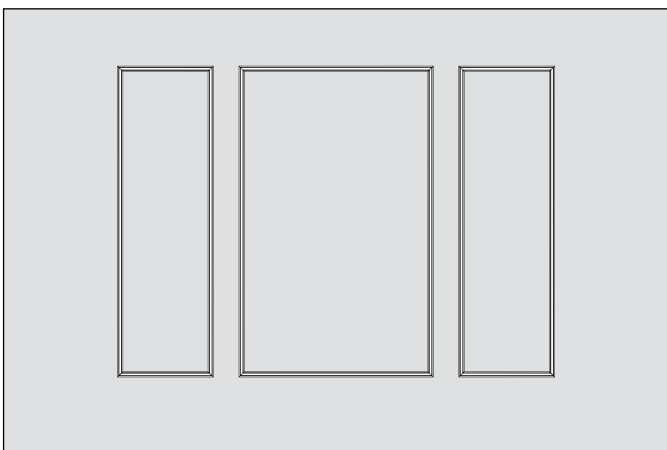
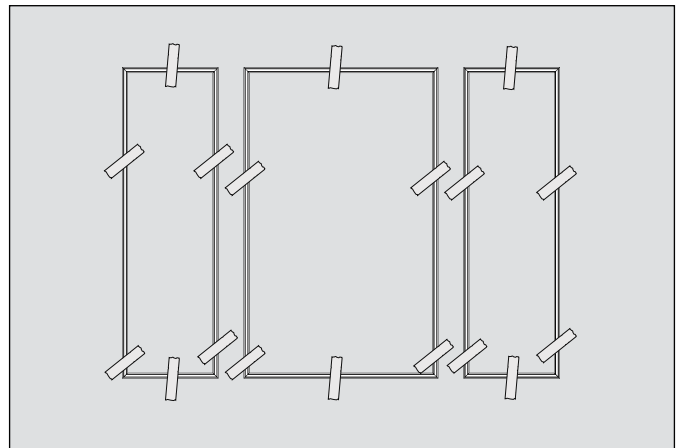
STEP 2 After confirming the dimensions, use a pencil and ruler to mark the appropriate position. Use a level to help draw lines.





STEP 3 Apply construction adhesive on the back of molding trims.

STEP 4 Stick them to the wall by number. Tape them to prevent shifting until it's cured.



STEP 5 Remove the tape. Installation complete.