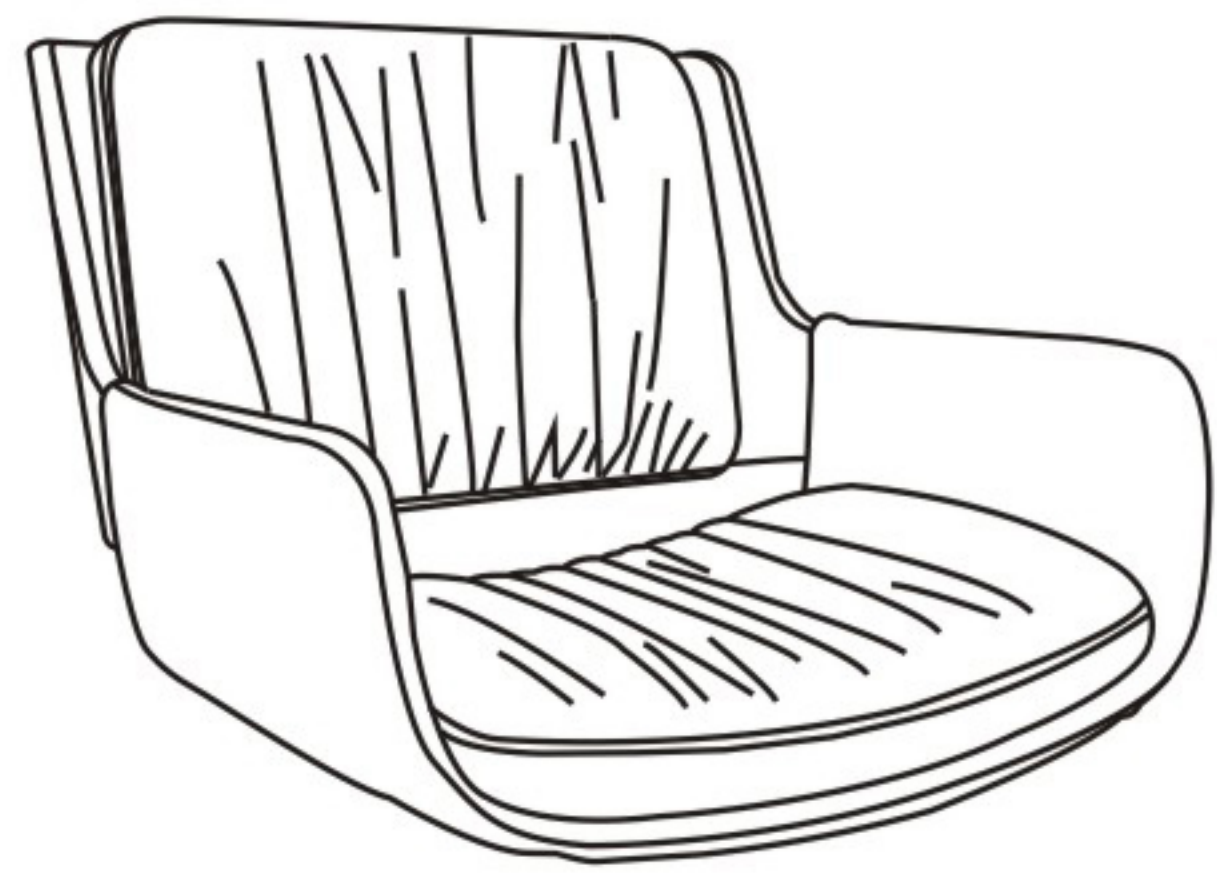


ASSEMBLING INSTRUCTION

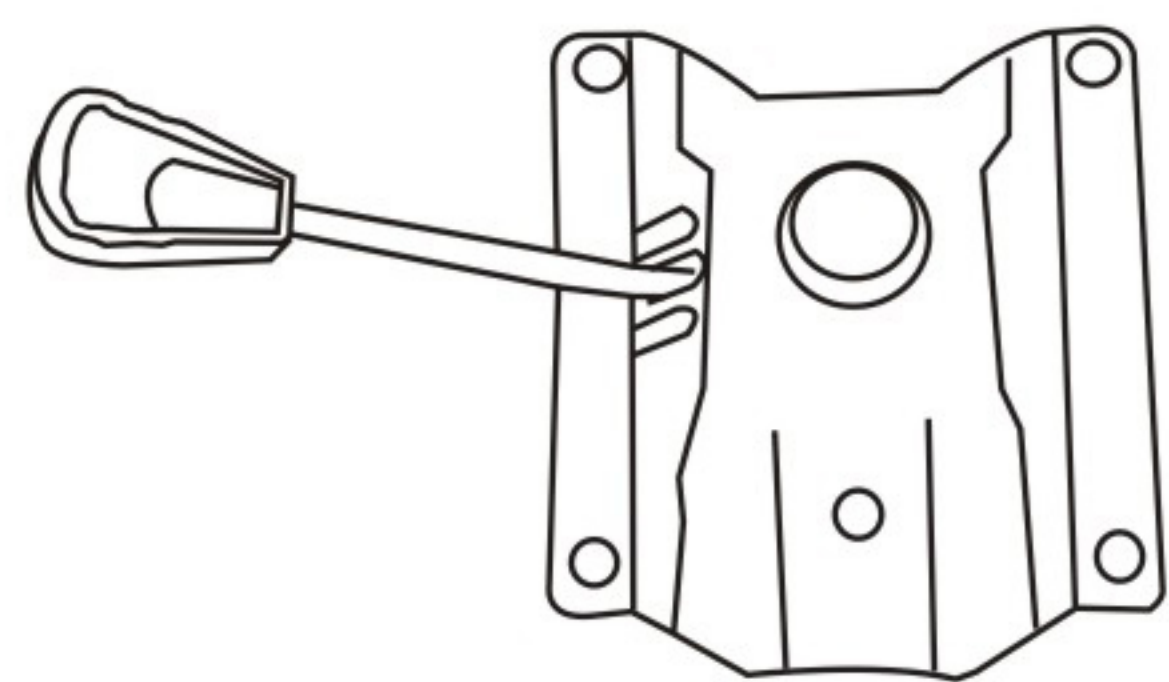
Ax1



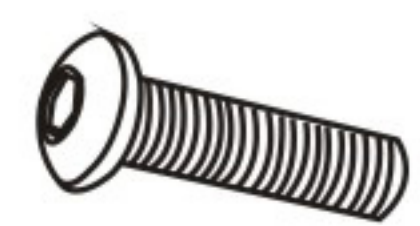
Ex4



Bx1



Fx4



M6×16mm

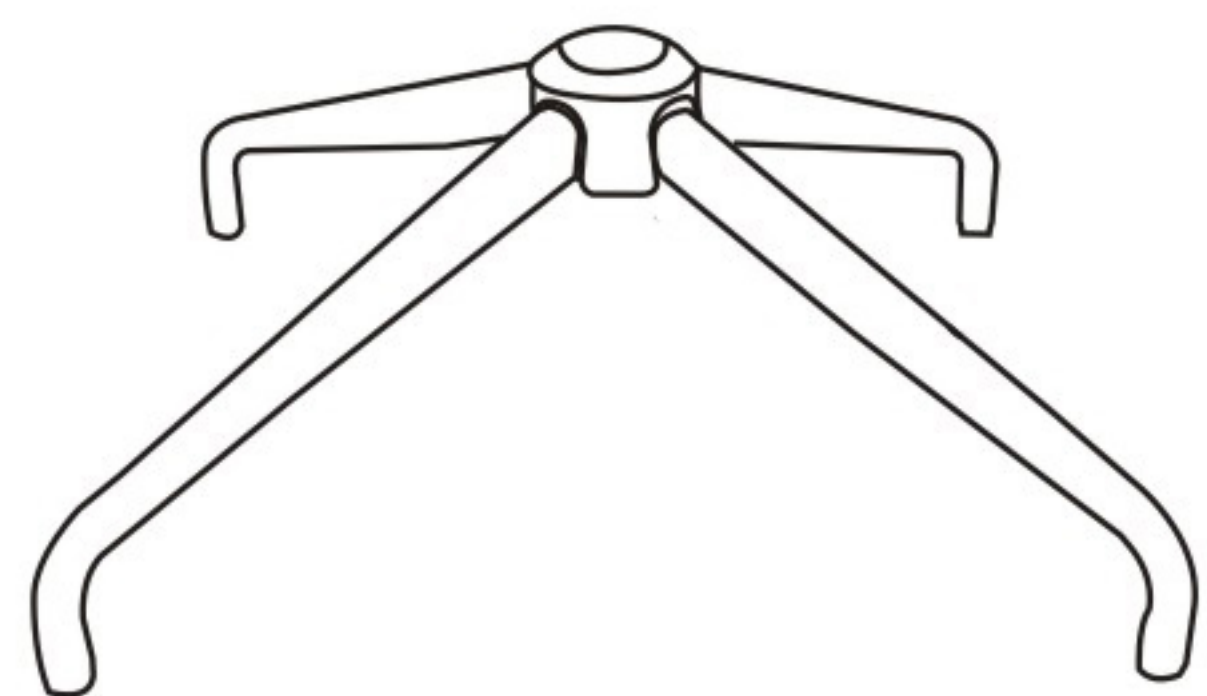
Cx1



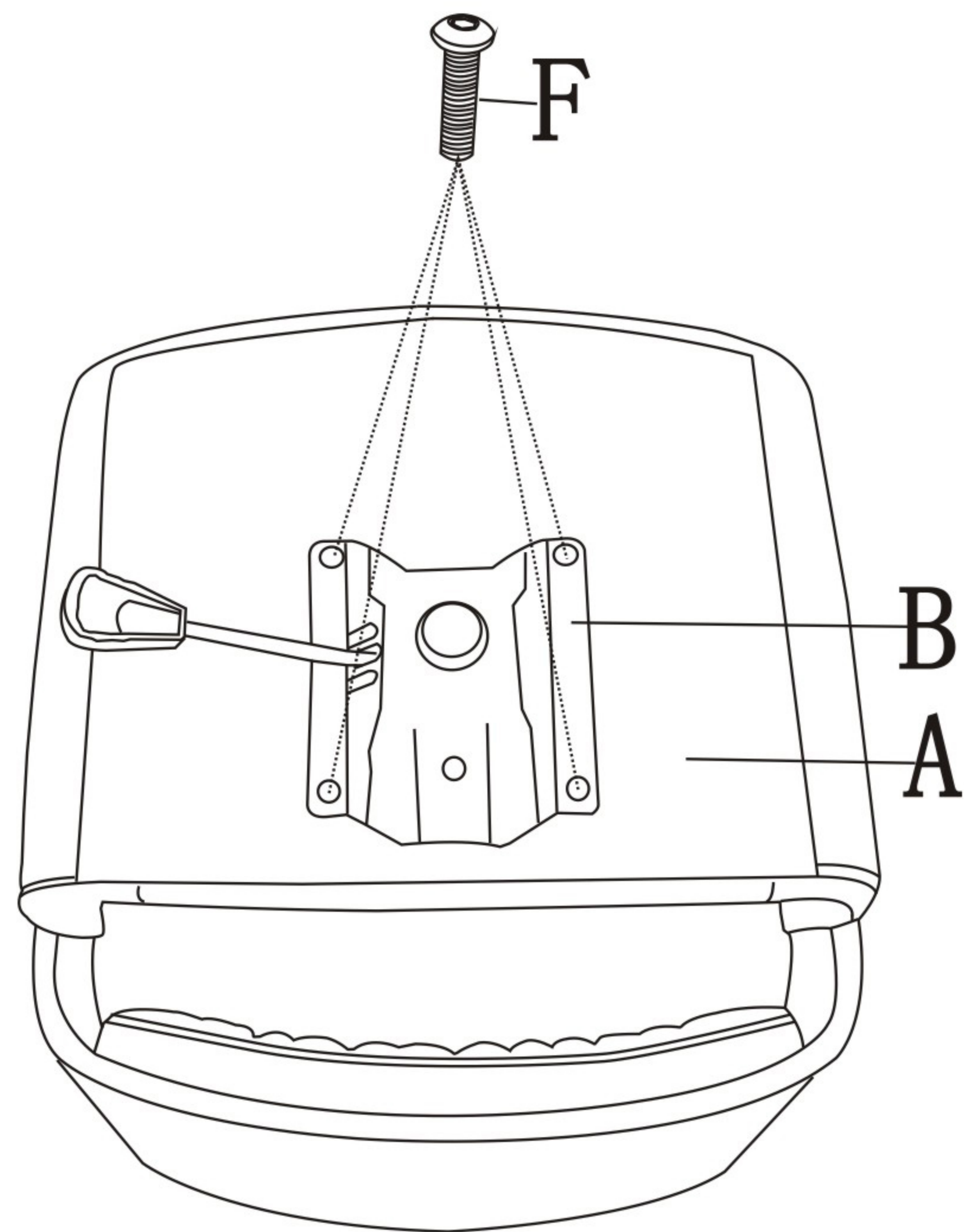
Gx1



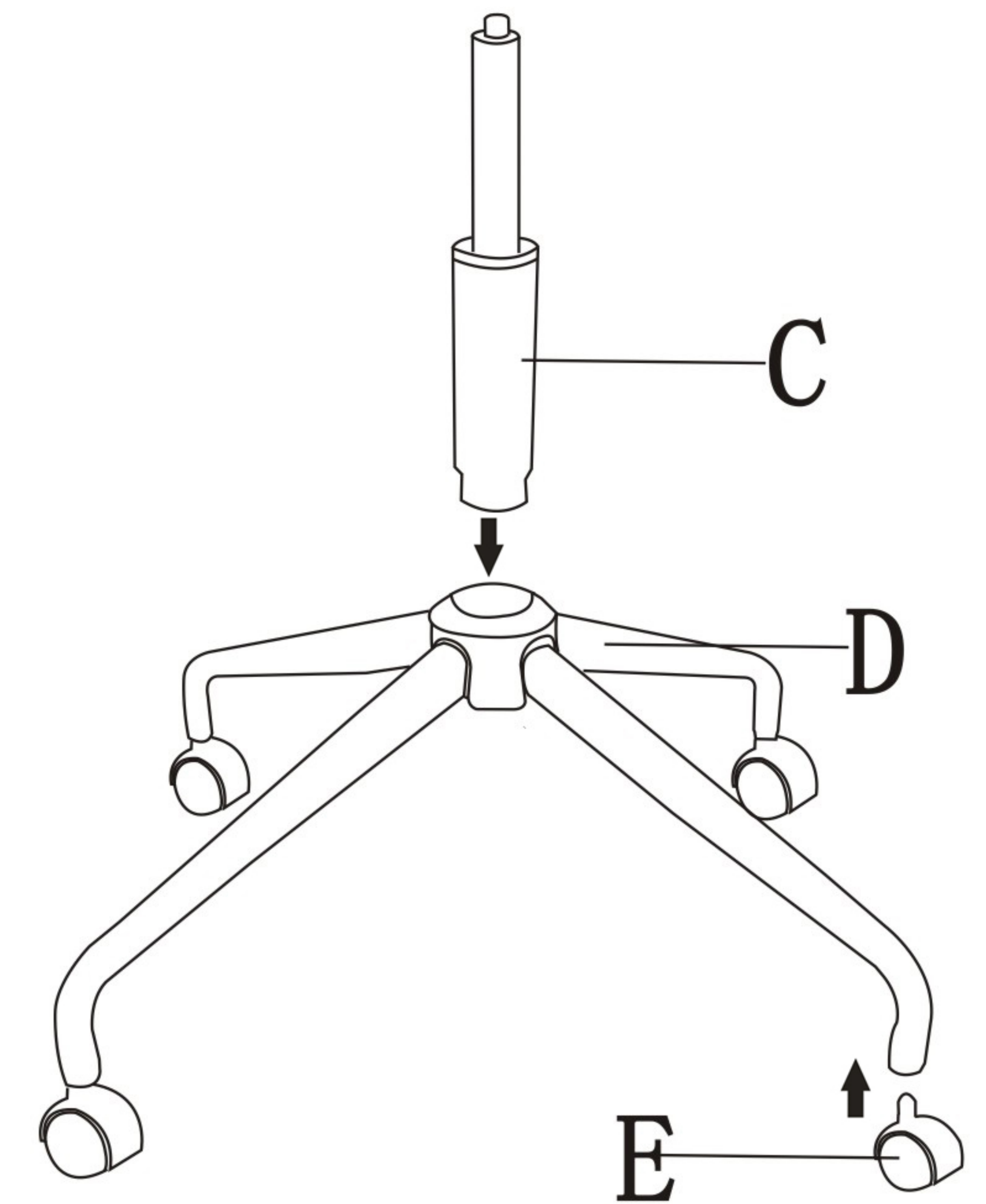
Dx1



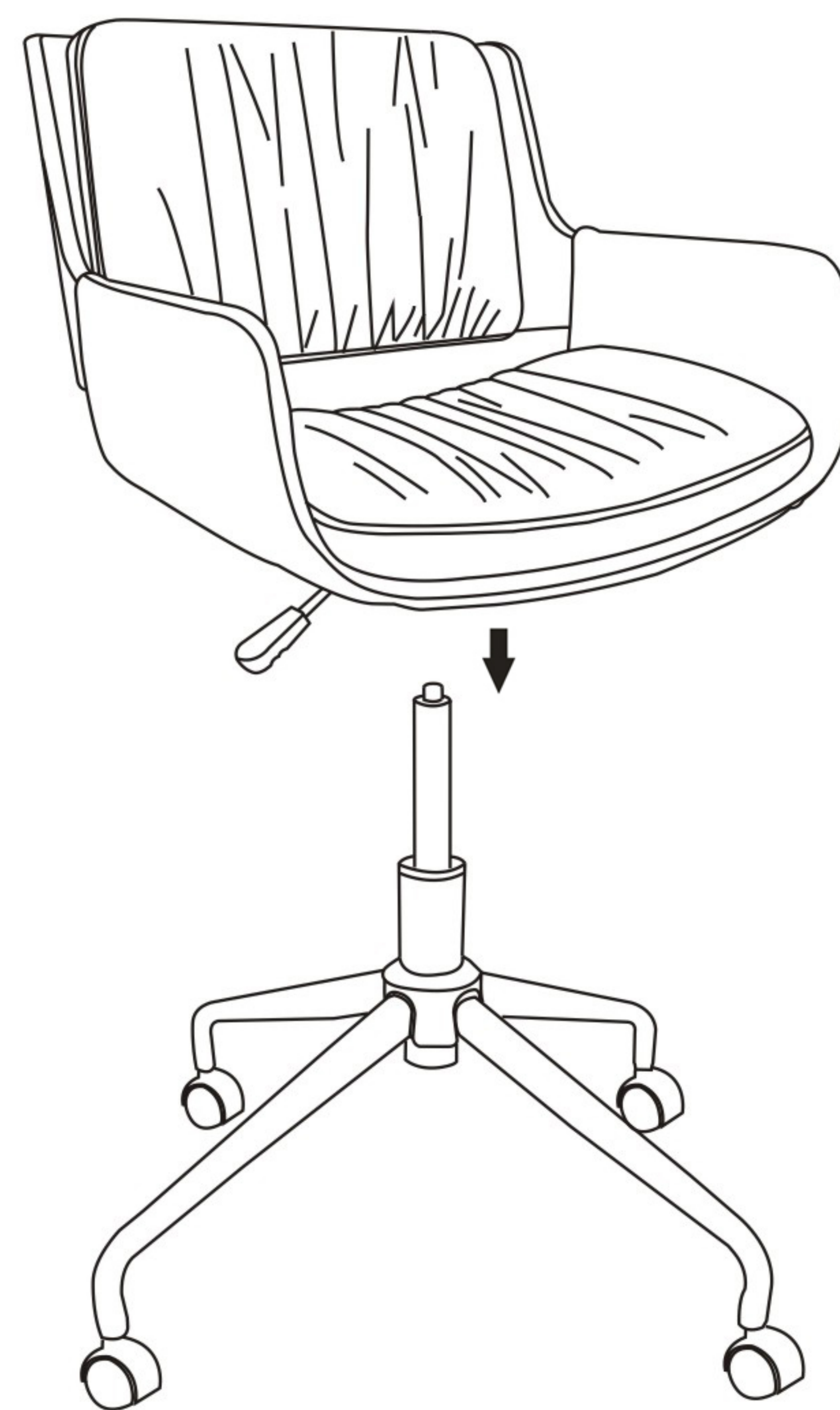
1



2



3



4

