



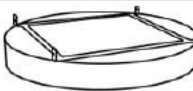


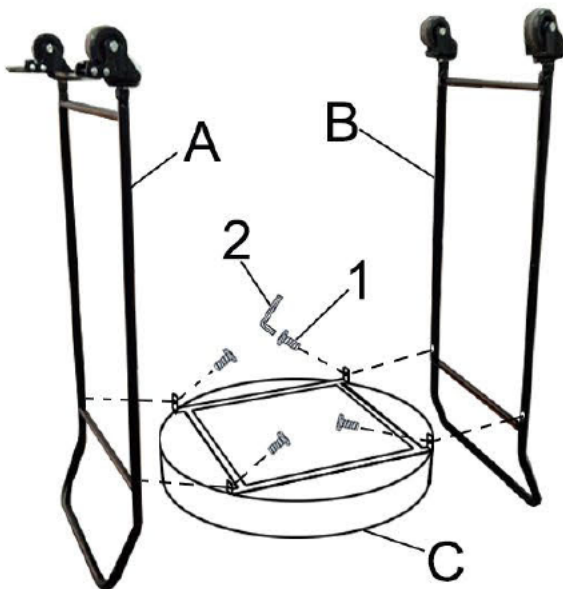
ASSEMBLY INSTRUCTIONS

Parts required

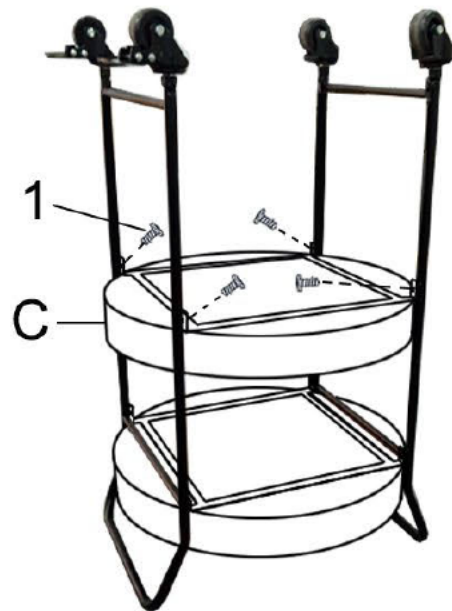
| | | | | |
|---|---|--------------|----------------------|-------|
| 1 |  | Bolt | $\Phi 6*16\text{MM}$ | 12pcs |
| 2 |  | Allen wrench | | 1pc |

| | | |
|---|--|------|
| A |  | 1pc |
| B |  | 1pc |
| C |  | 3pcs |

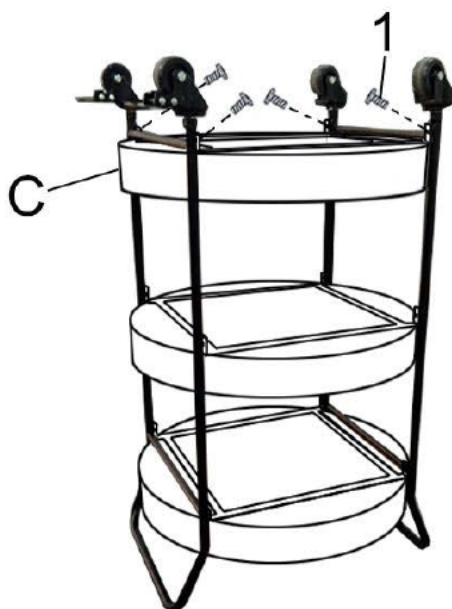
1.



2.



3.



4.

