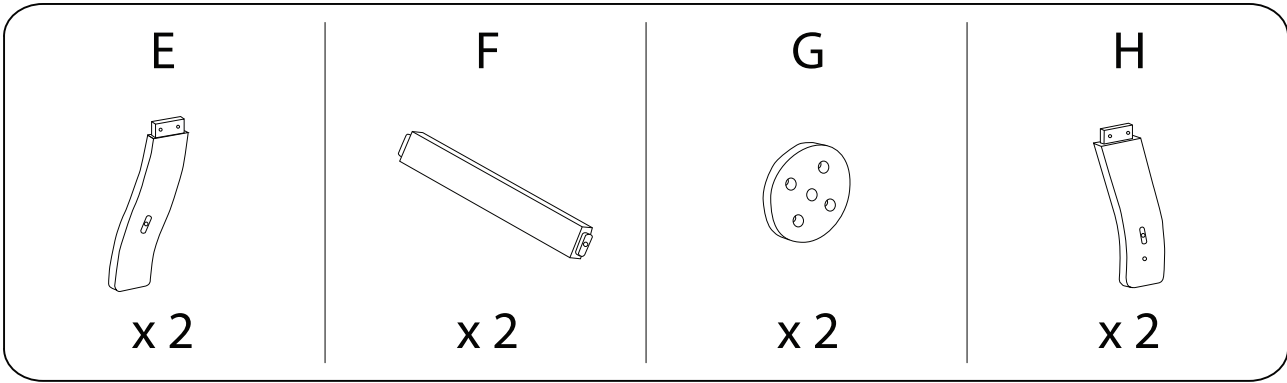
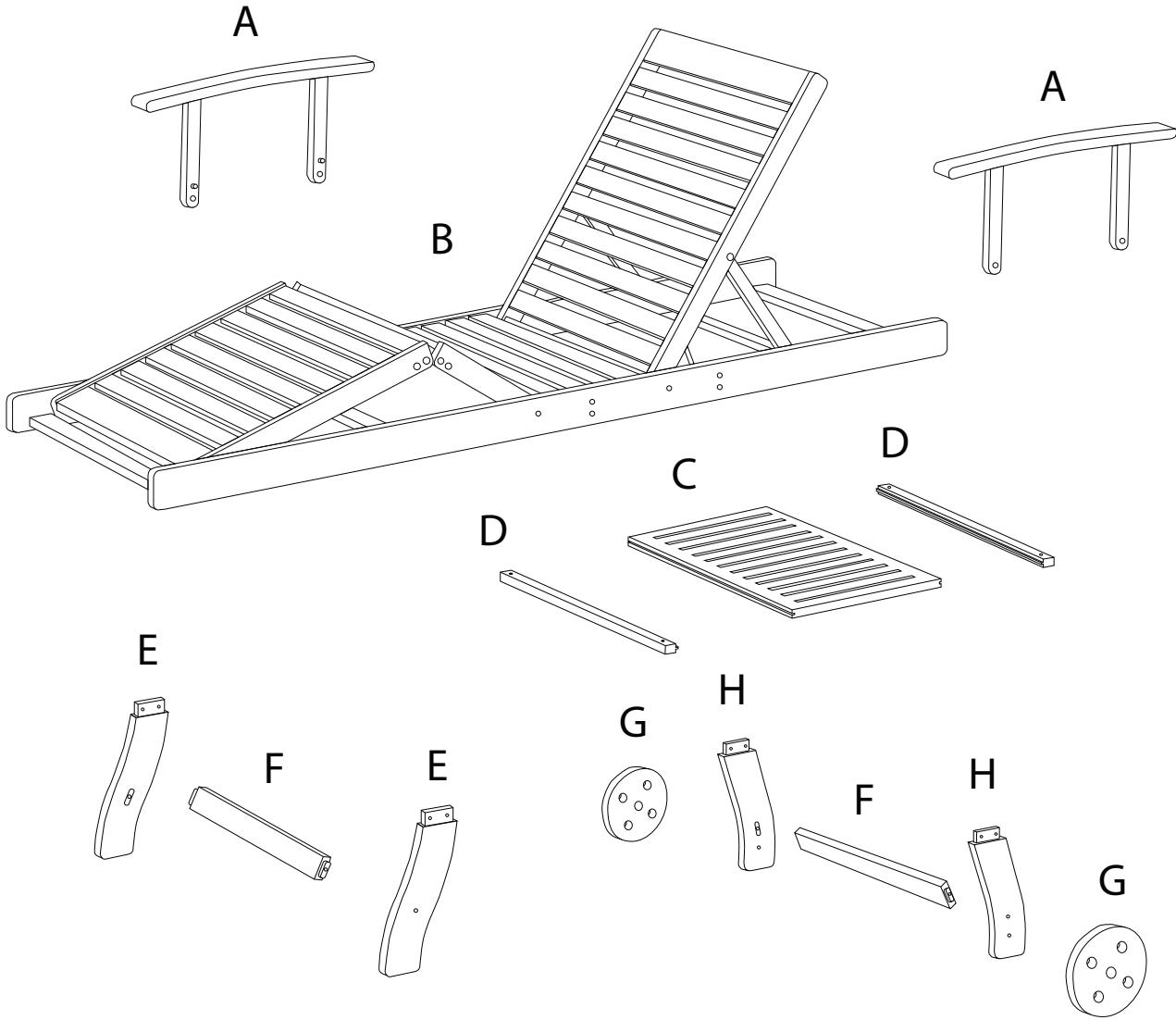
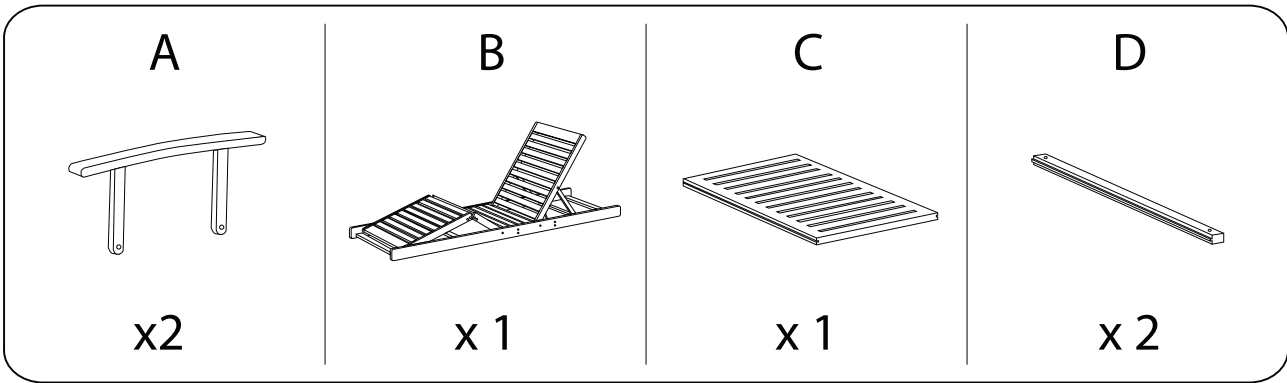
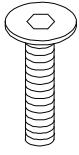

		1

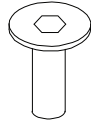


I



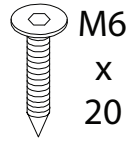
x 4

J



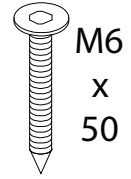
x 4

K



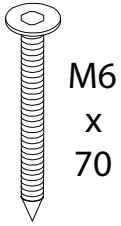
x 8

L



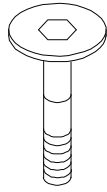
x 4

M



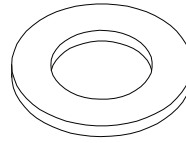
x 4

N



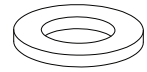
x 2

O



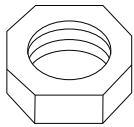
x 2

P



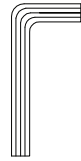
x 2

Q



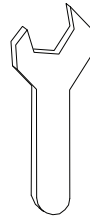
x 2

R



x 2

S



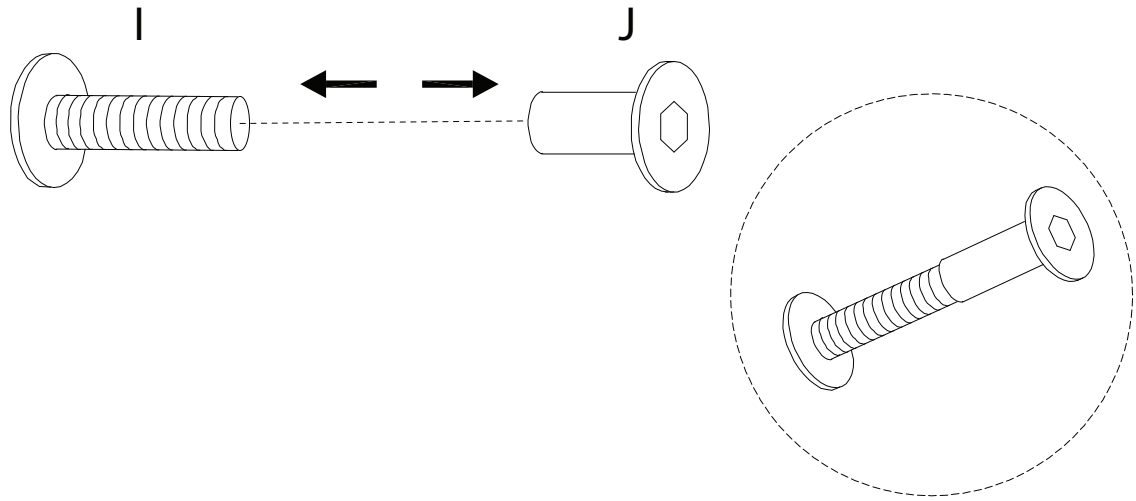
x 1

T

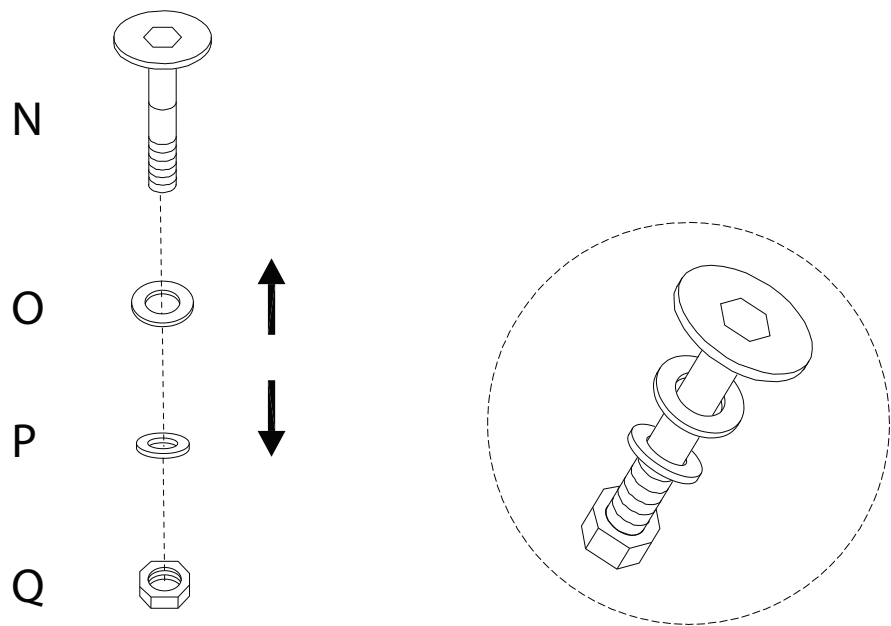


x 4

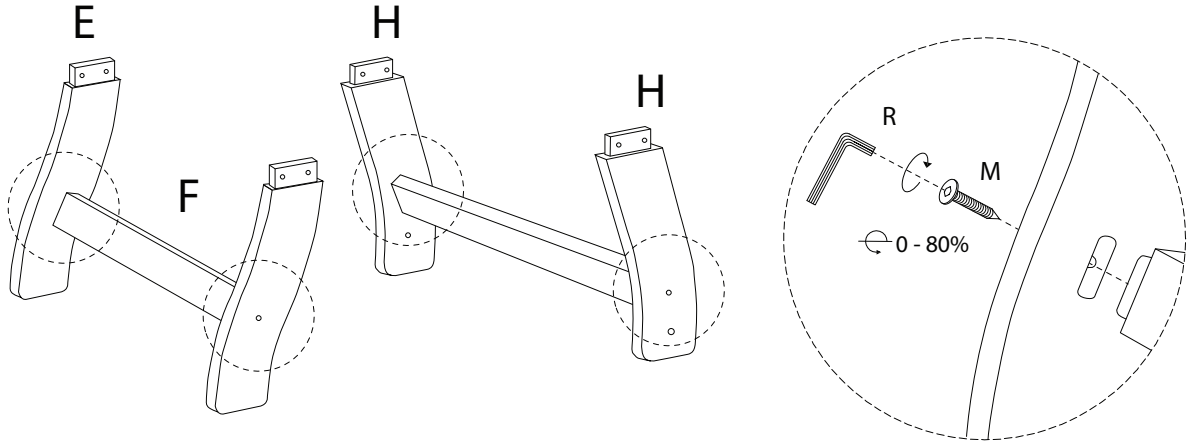
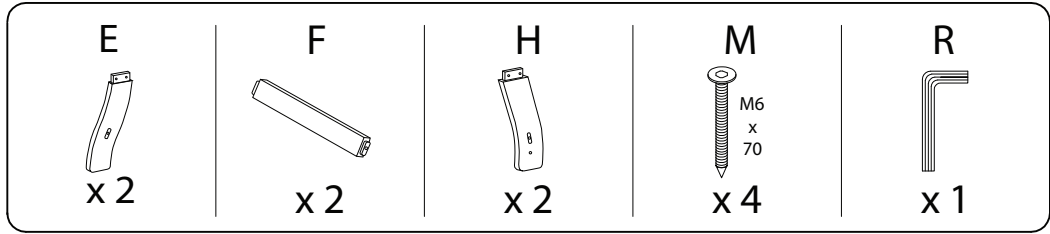
!



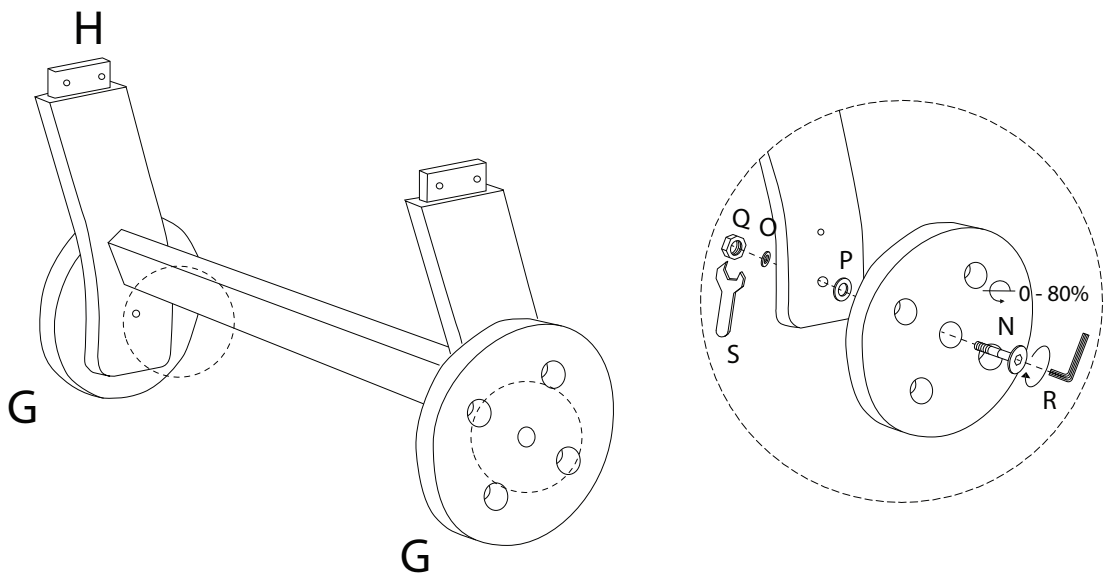
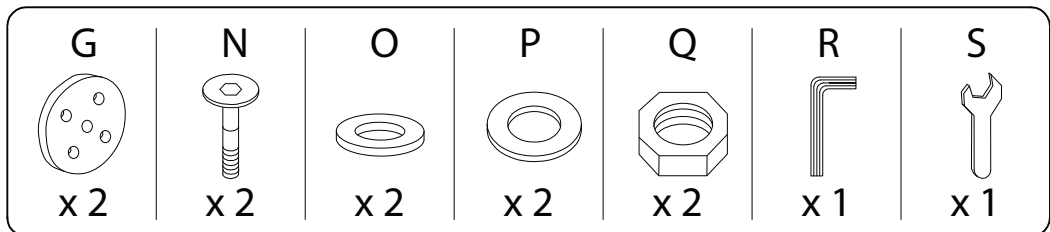
!



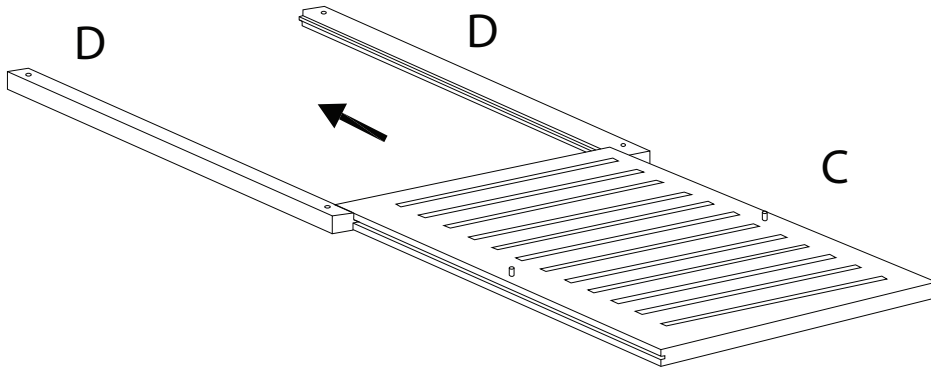
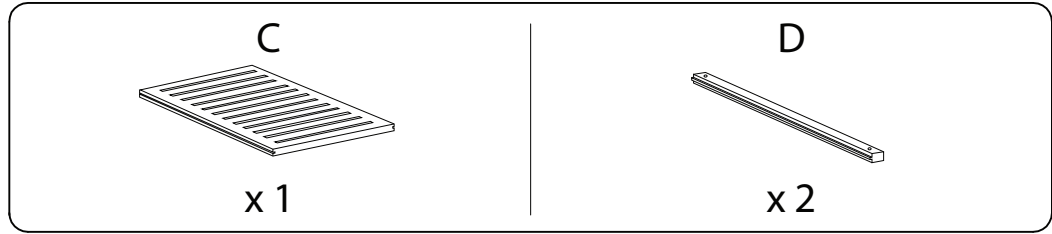
1



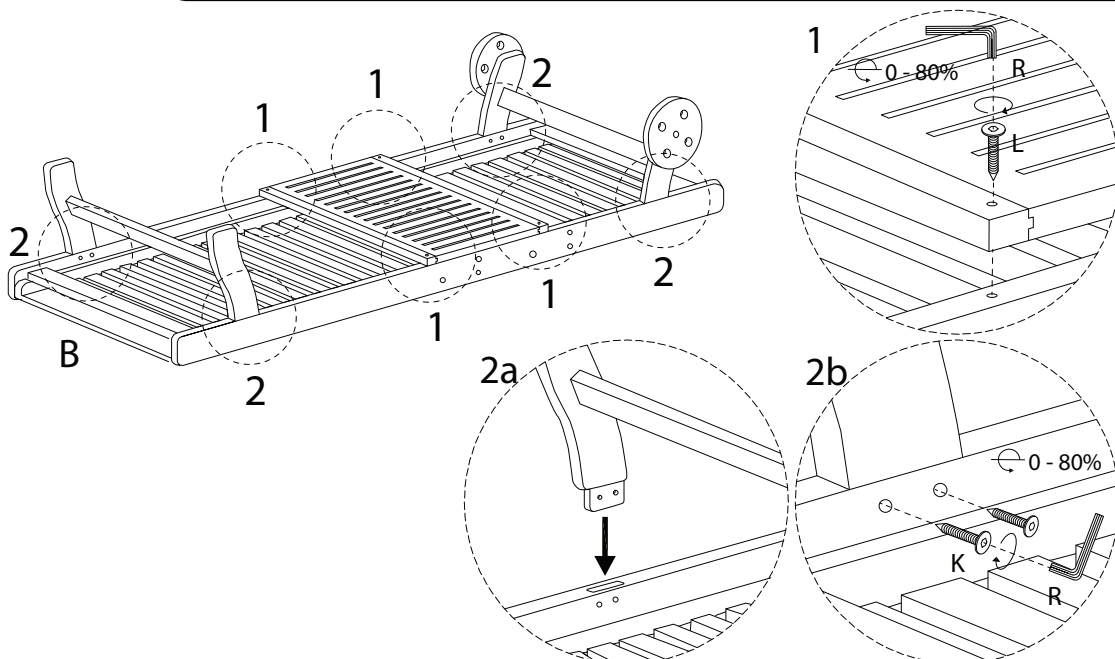
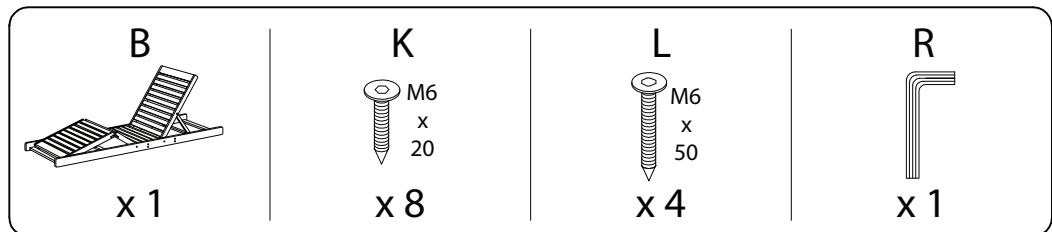
2



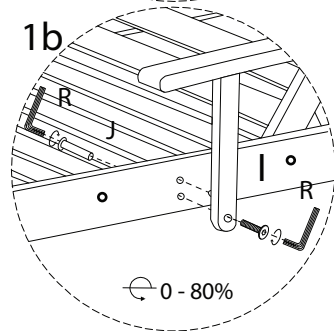
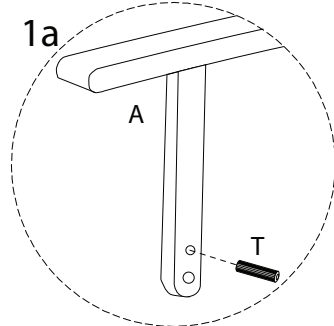
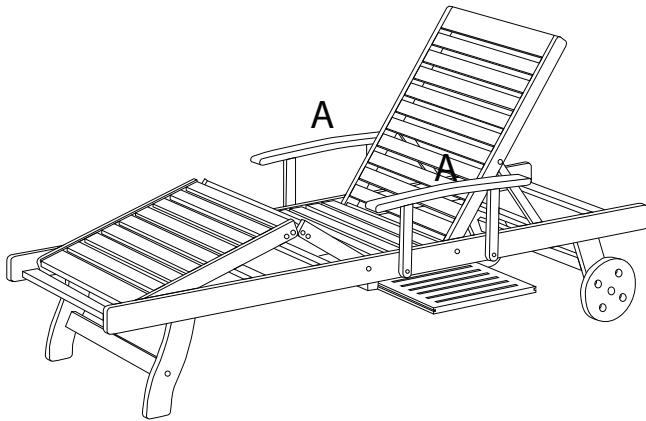
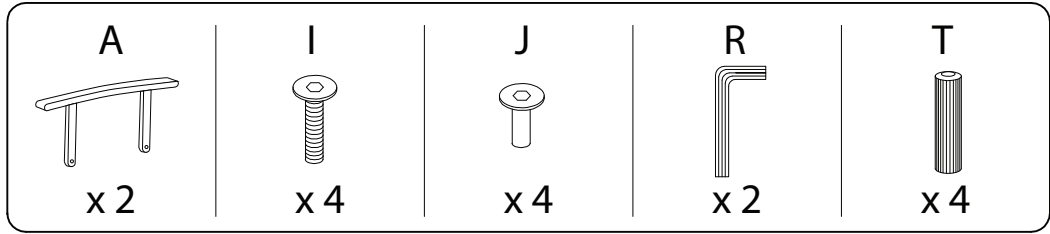
3



4



5



6

