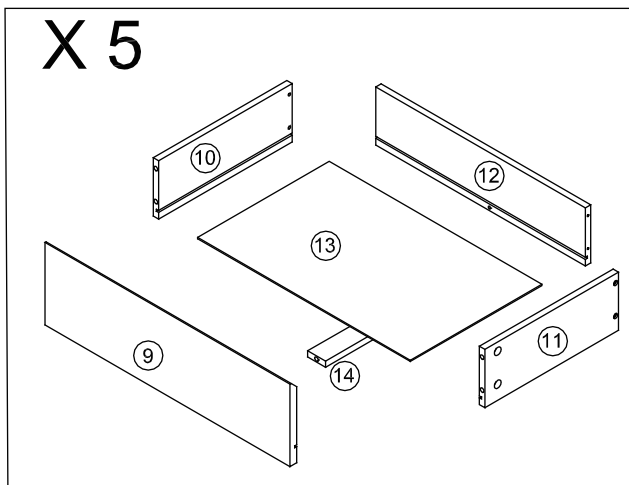
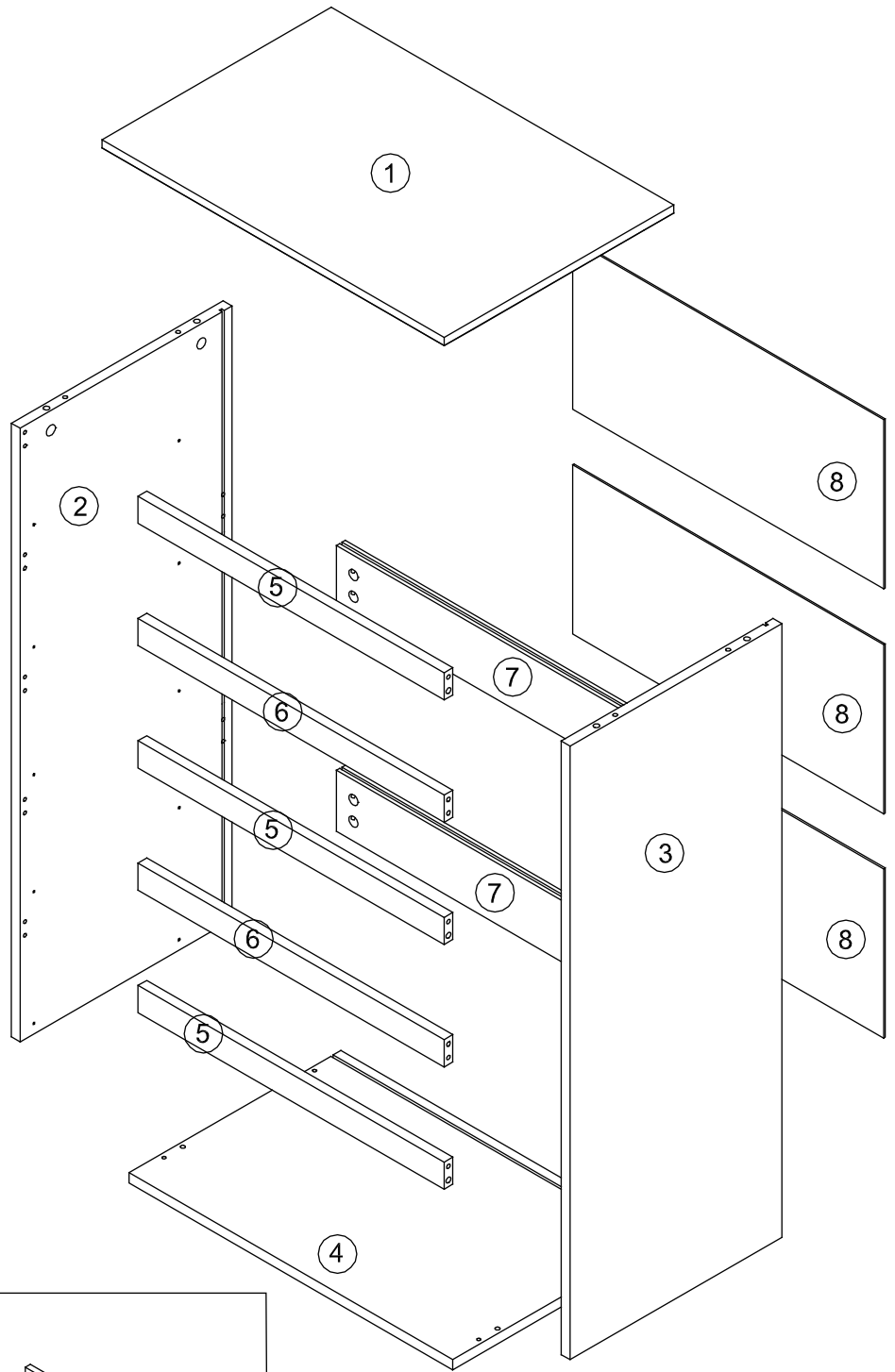


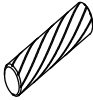

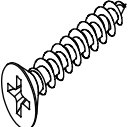
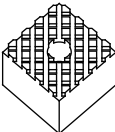

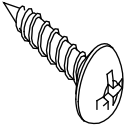
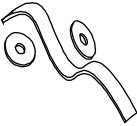




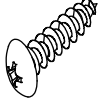
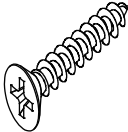





# ASSEMBLY INSTRUCTIONS

<<Before assembling, read all the instruction>>

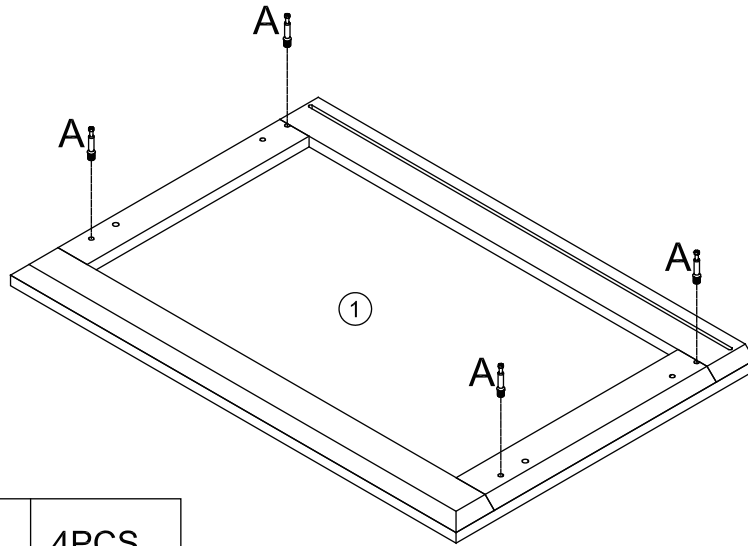





A	 M6x35	43PCS
B	 Ø15x10	43PCS
C	 Ø6x30	22PCS
D	 M3x12	40PCS
E	 M4x30	25PCS
F		4PCS
G	 M3x14	12PCS
H	 M4x12	2PCS
I		2PCS

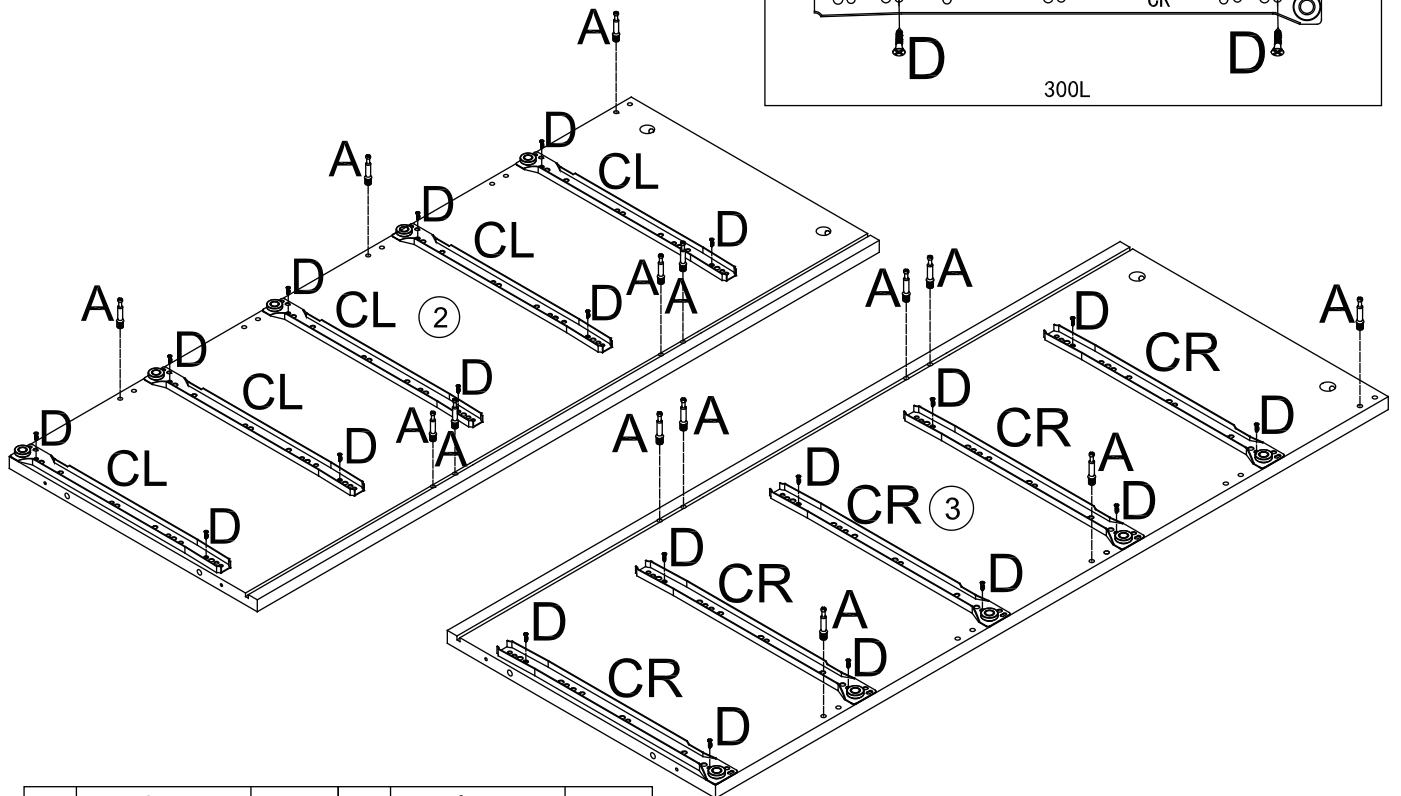
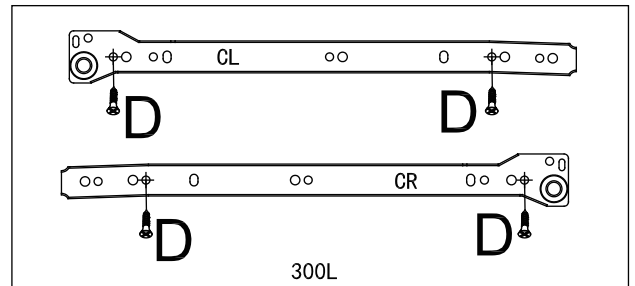
J		12PCS
K		2PCS
L	 M4x35	2PCS
M	 M4x40	4PCS
N	 M4x20	4PCS
CL	 300MM	5PCS
DL	 300MM	5PCS
DR	 300MM	5PCS
CR	 300MM	5PCS





1



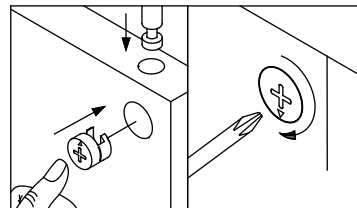
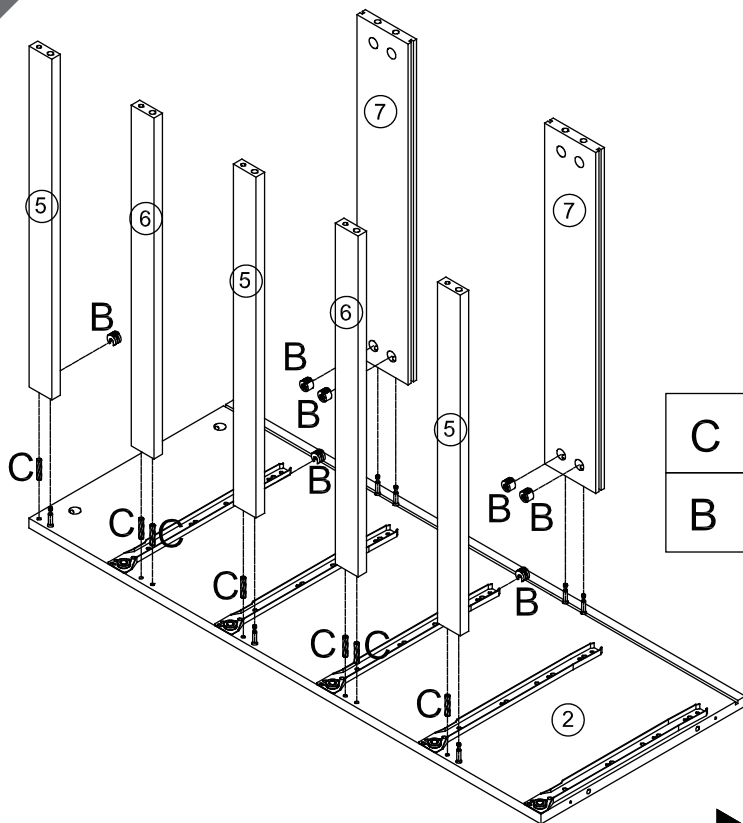
A		M6x35	4PCS
---	---	-------	------

2



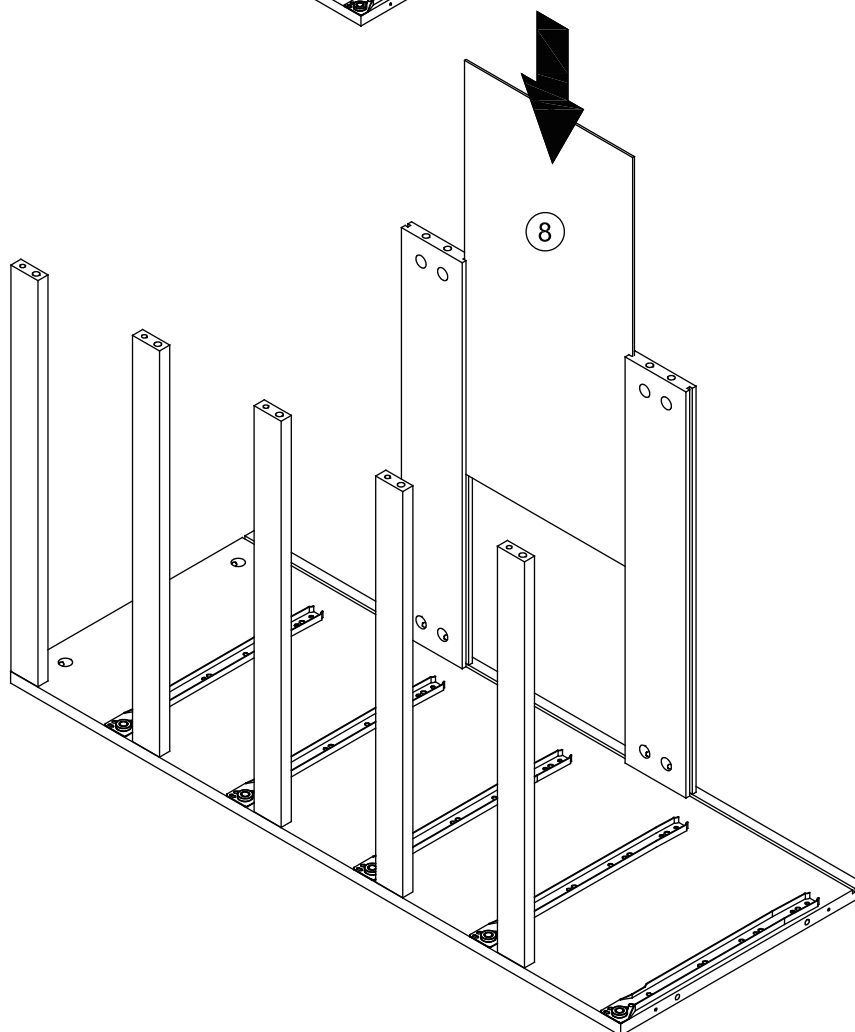
D		M3x12	20PCS	CR		300MM	5PCS
A		M6x35	14PCS	CL		300MM	5PCS

3

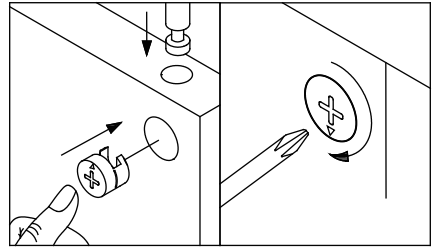
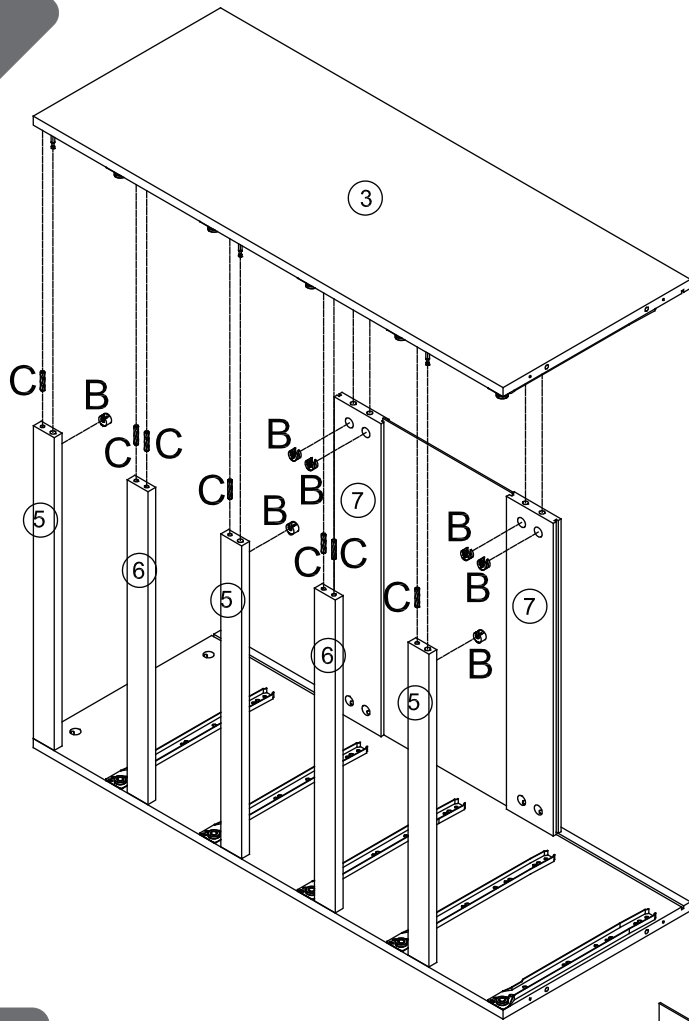




C	$\varnothing 6 \times 30$	7PCS
B	$\varnothing 15 \times 10$	7PCS

4

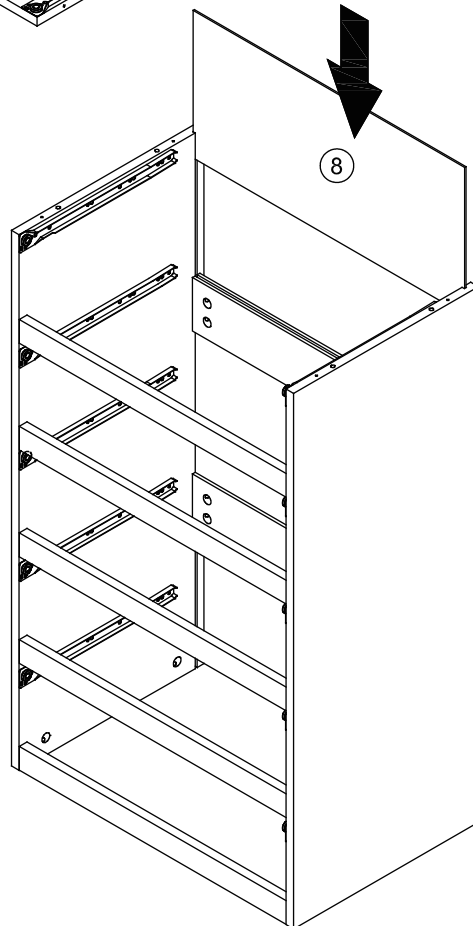


5


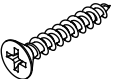


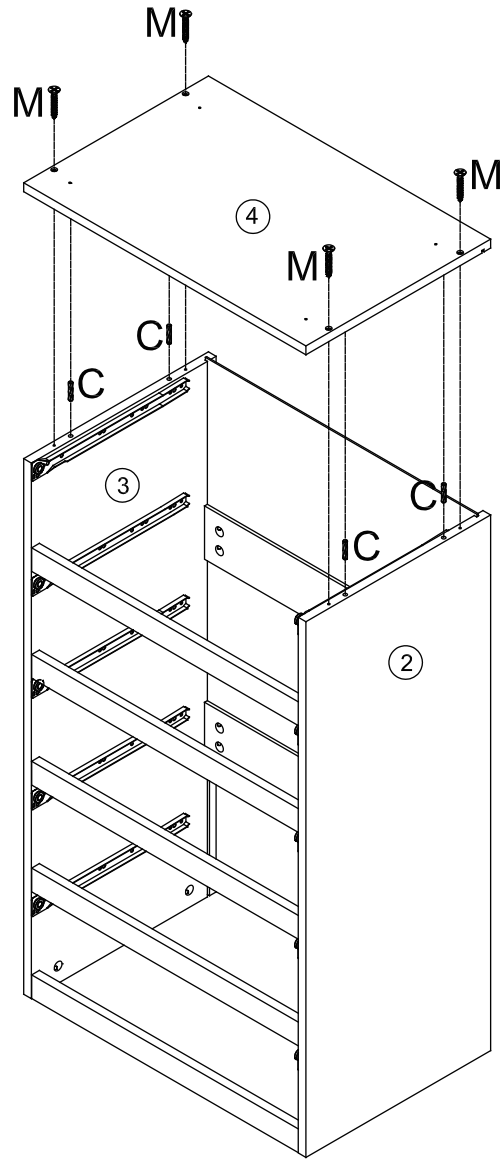
C	 $\varnothing 6 \times 30$	7PCS
B	 $\varnothing 15 \times 10$	7PCS

6

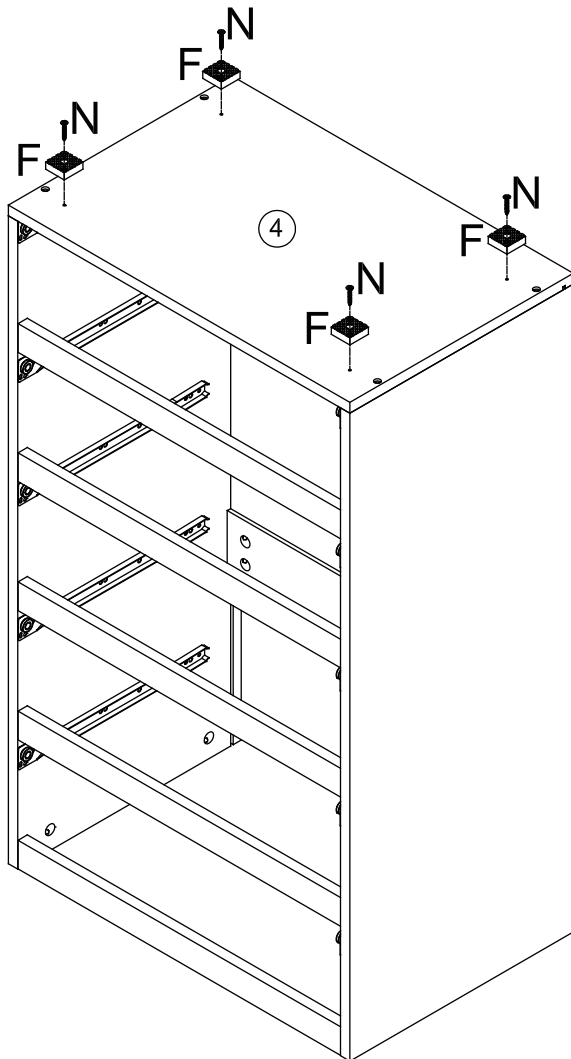


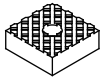

7

C	 $\varnothing 6 \times 30$	4PCS
M	 M4x40	4PCS

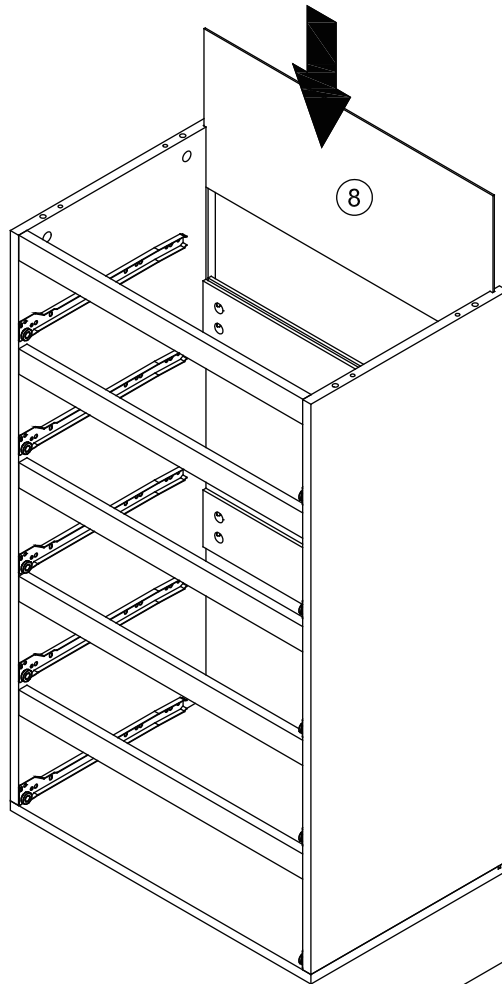


8

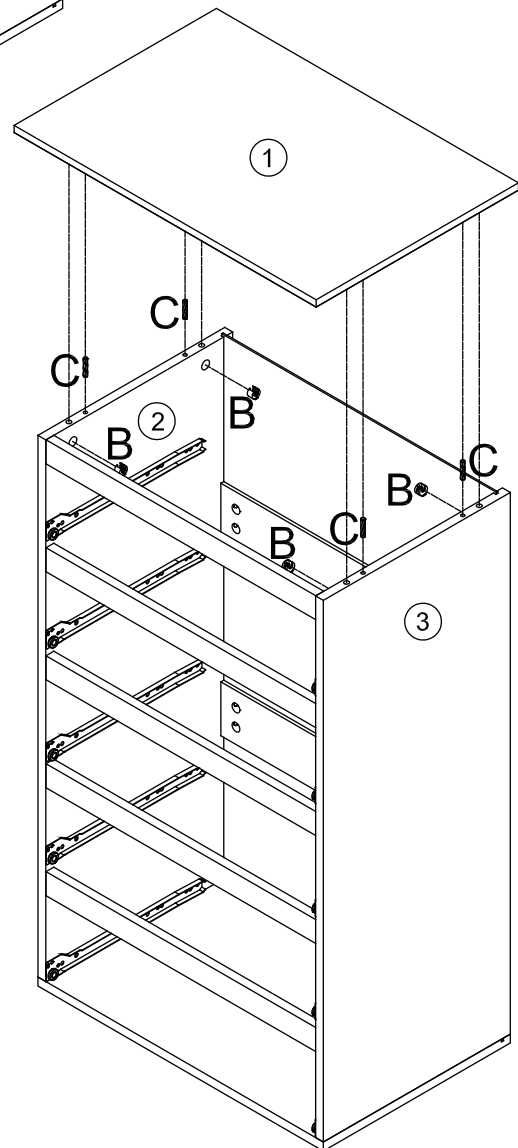
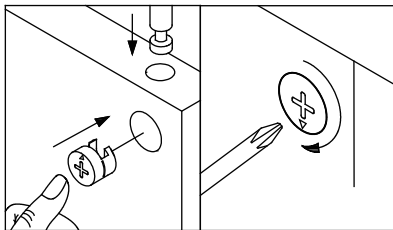




F		4PCS
N	 M4x20	4PCS

9



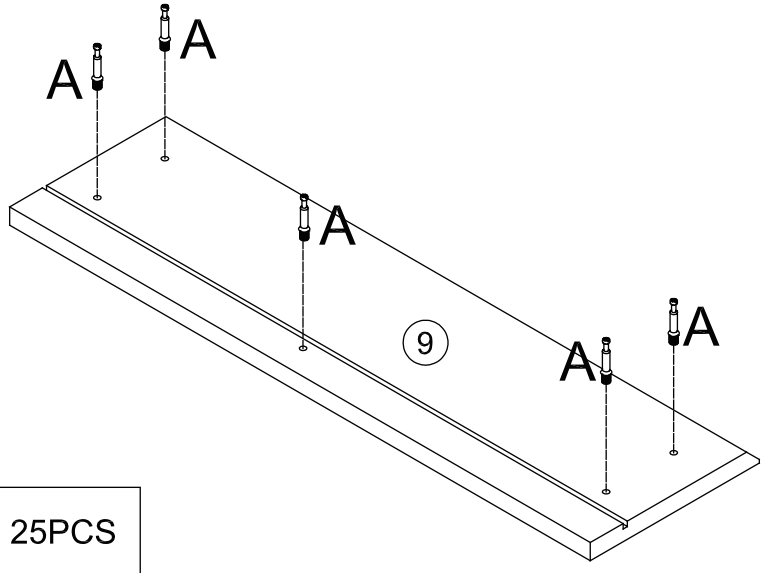
10

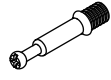


C	 $\varnothing 6 \times 30$	4PCS
B	 $\varnothing 15 \times 10$	4PCS

11

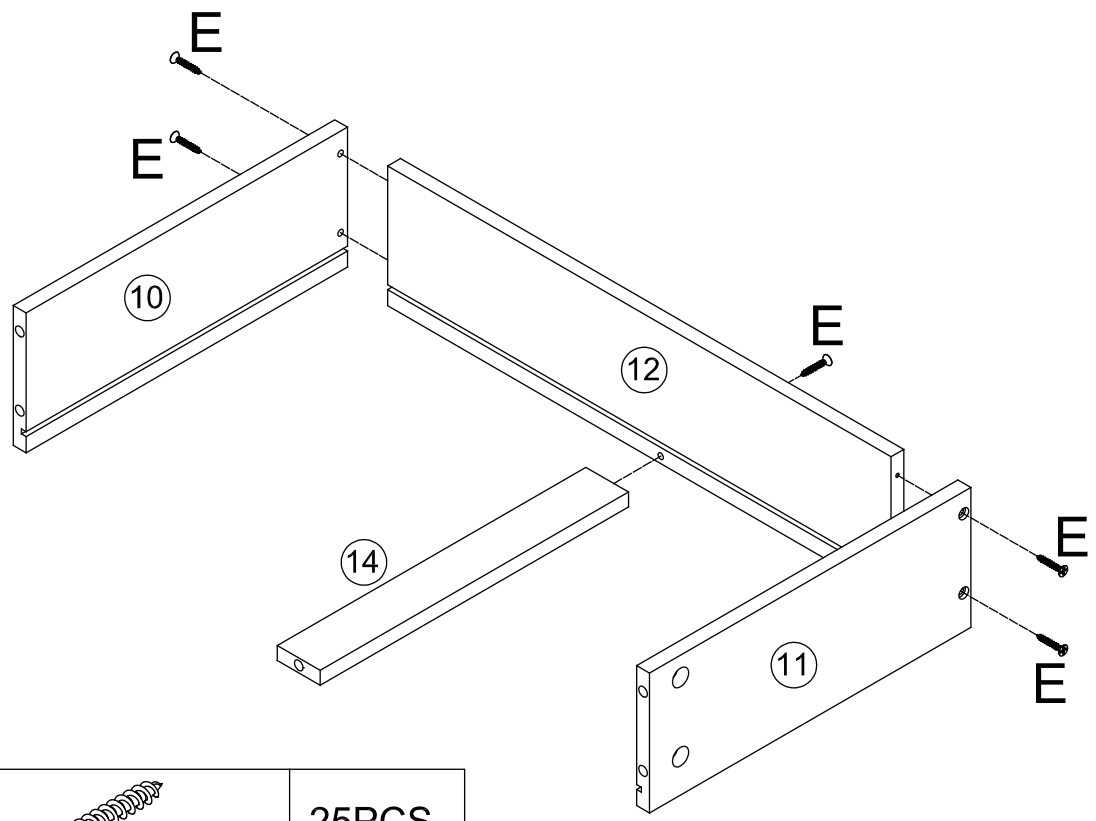
X 5

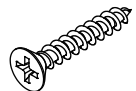


A	 M6x35	25PCS
---	---	-------

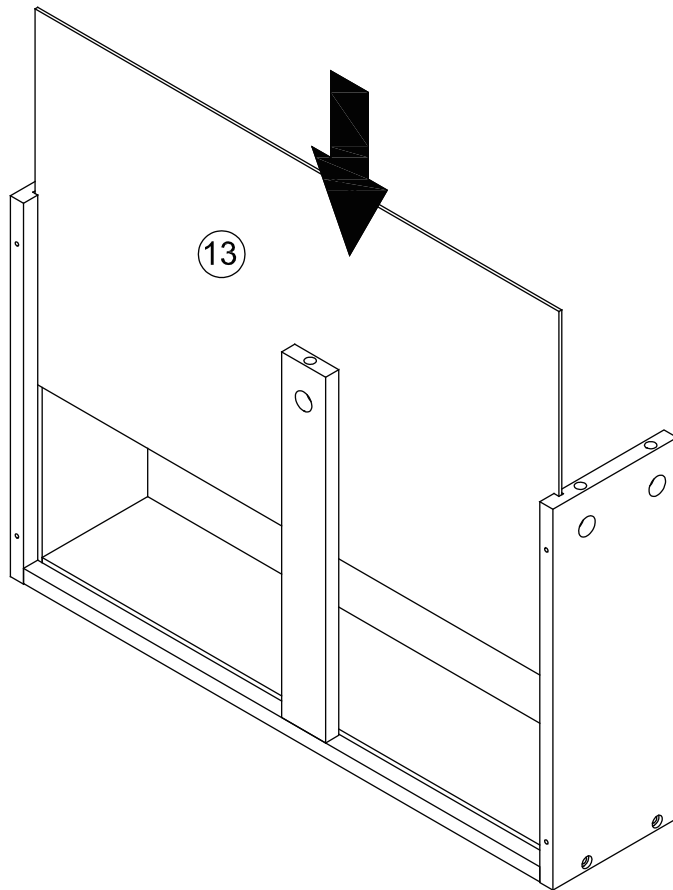
12

X 5

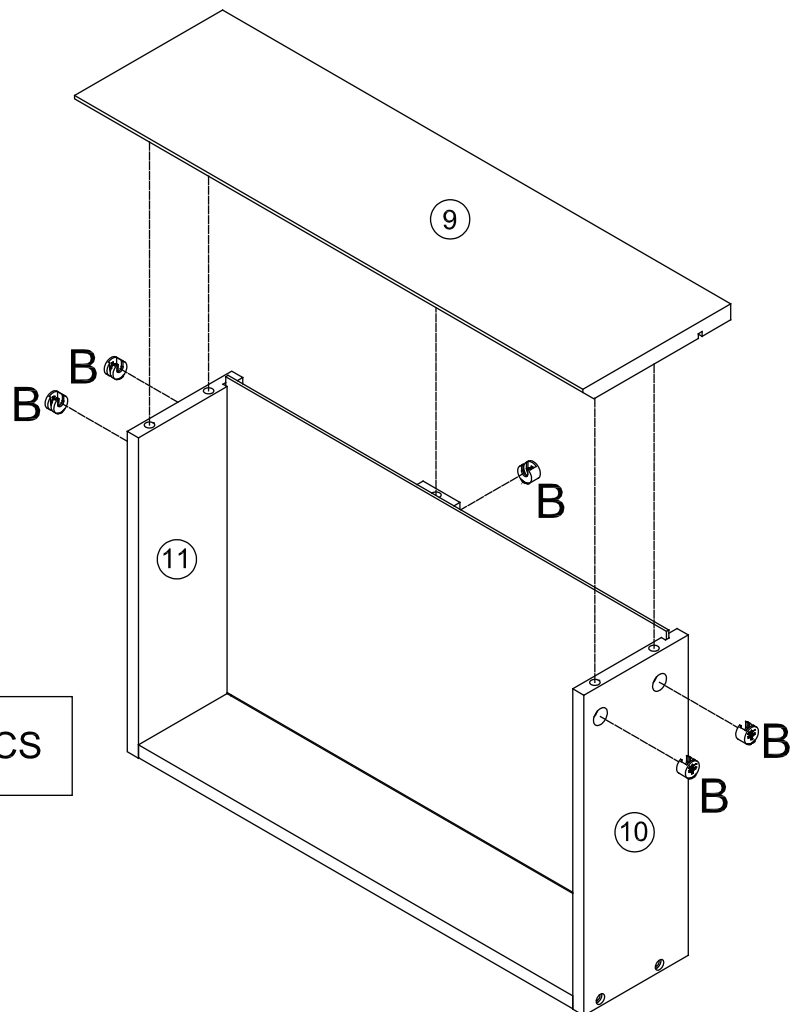
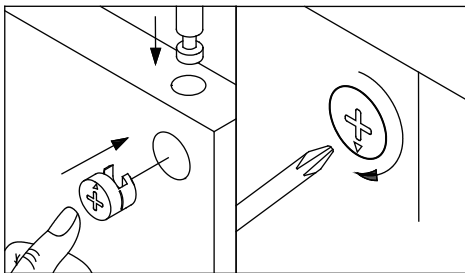



E	 M4x30	25PCS
---	---	-------

**13**  
X 5



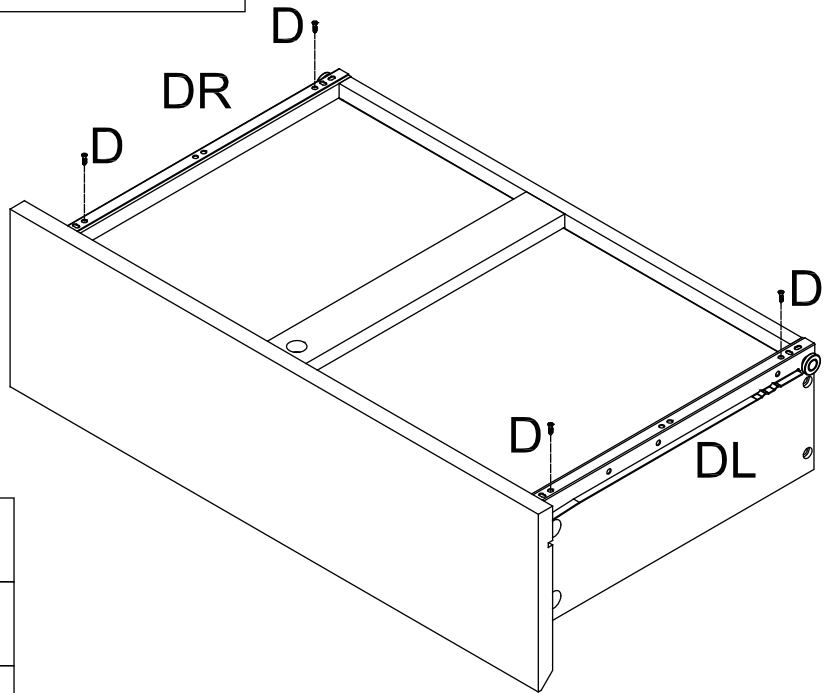
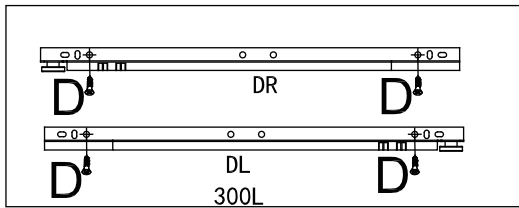
**14**  
X 5





<b>B</b>	 Ø15x10	<b>25PCS</b>
----------	--	--------------

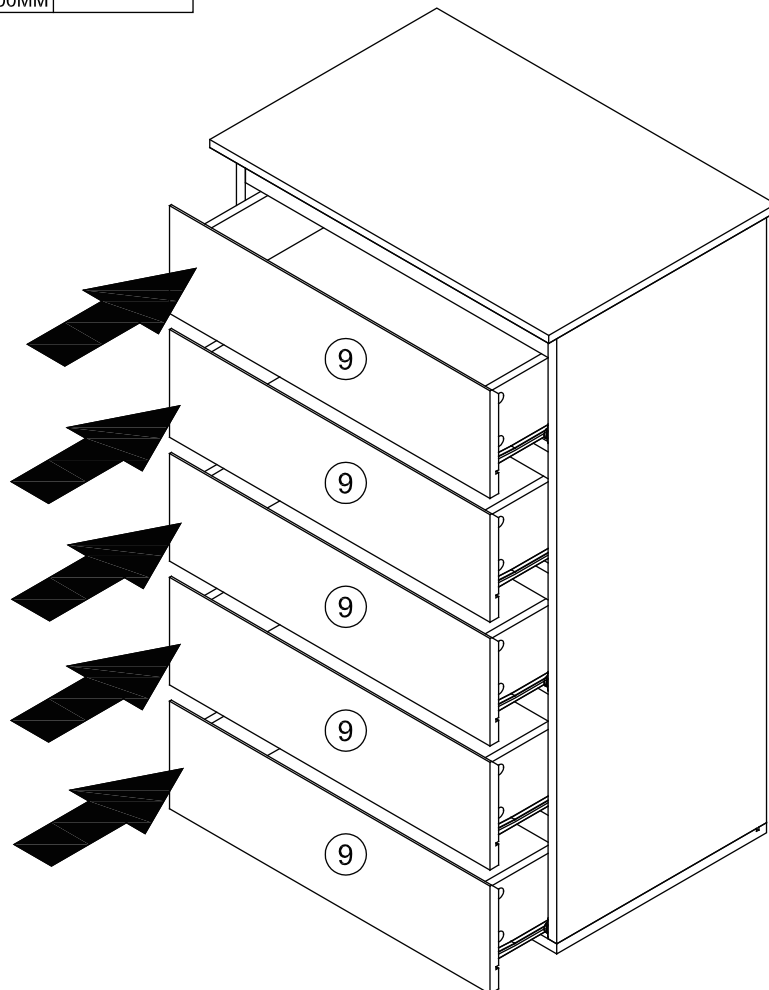
15

X 5

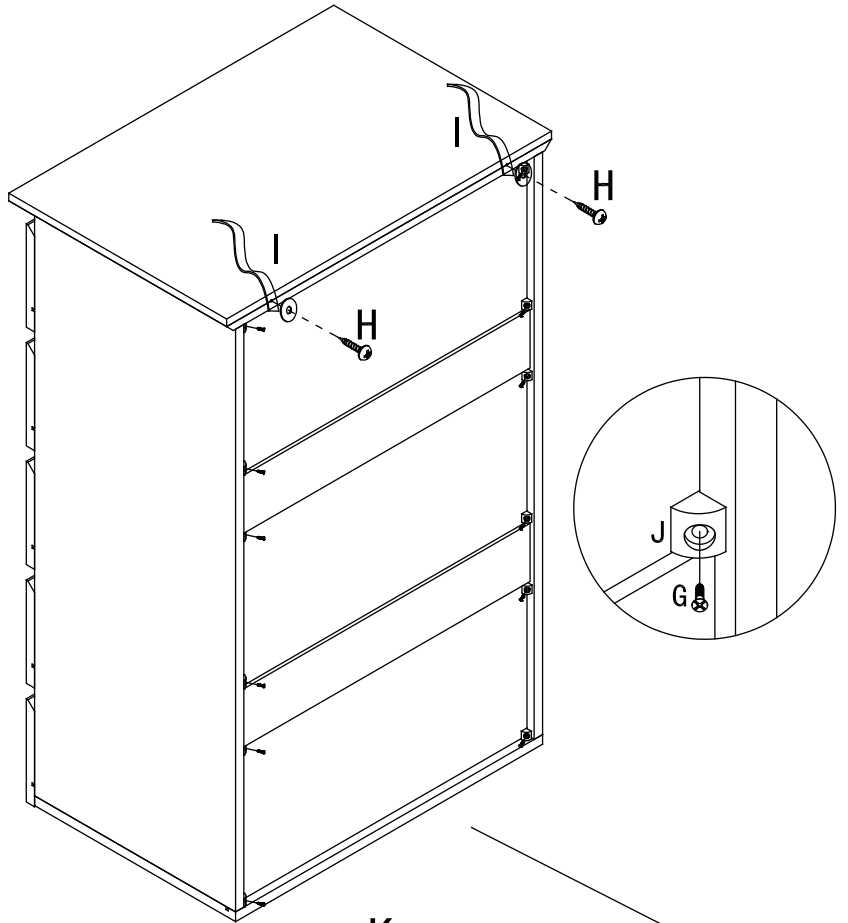


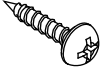



D	 M3x12	20PCS
DL	 300MM	5PCS
DR	 300MM	5PCS

16

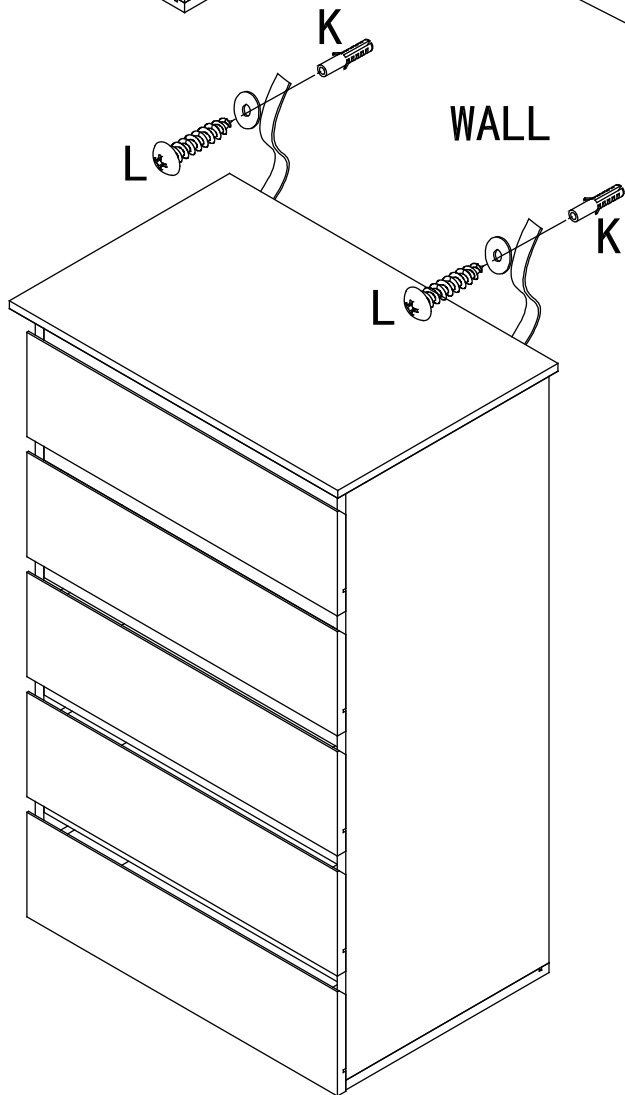


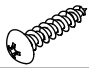

17



H	 M4x12	2PCS
I		2PCS
J		12PCS
G	 M3x14	12PCS

18



L	 M4x35	2PCS
K		2PCS