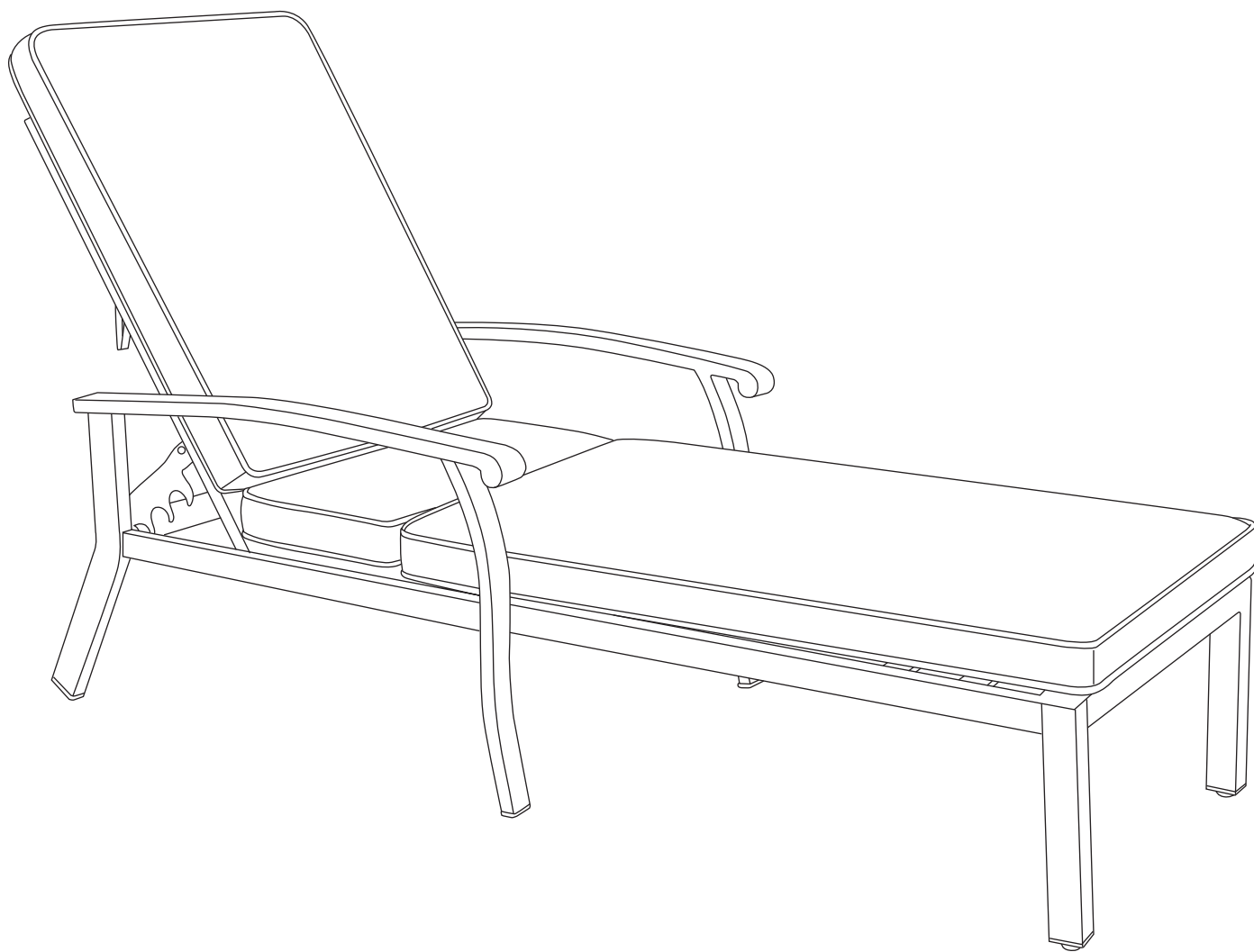
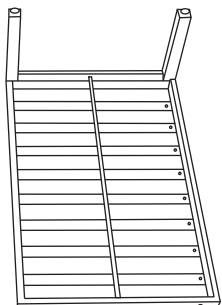


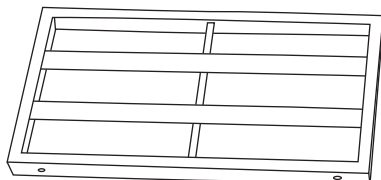
# INSTALLATION LINE



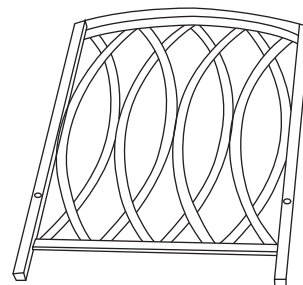
# COMPONENTS



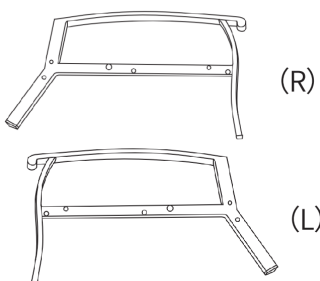
A 1PC



B 1PC



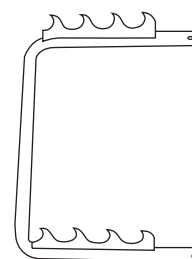
C 1PC



D 2PCS



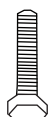
E 1PCS



F 1PC



M8\*35



M8\*45



M8\*55



M6\*30



M6\*20



M8



M 10PC

G 6PC

H 2PCS

I 2PCS

J 2PCS

K 4PC

L 12PC



M8



M6



P 4PCS



M6



M8



M6



V 2PCS

N 2PCS

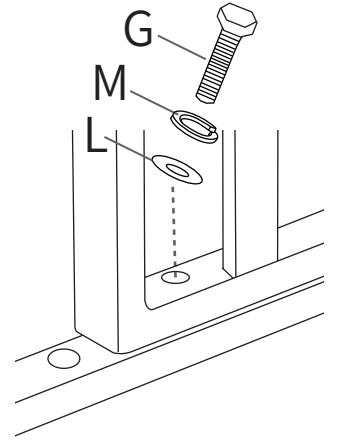
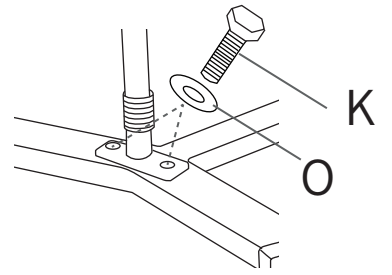
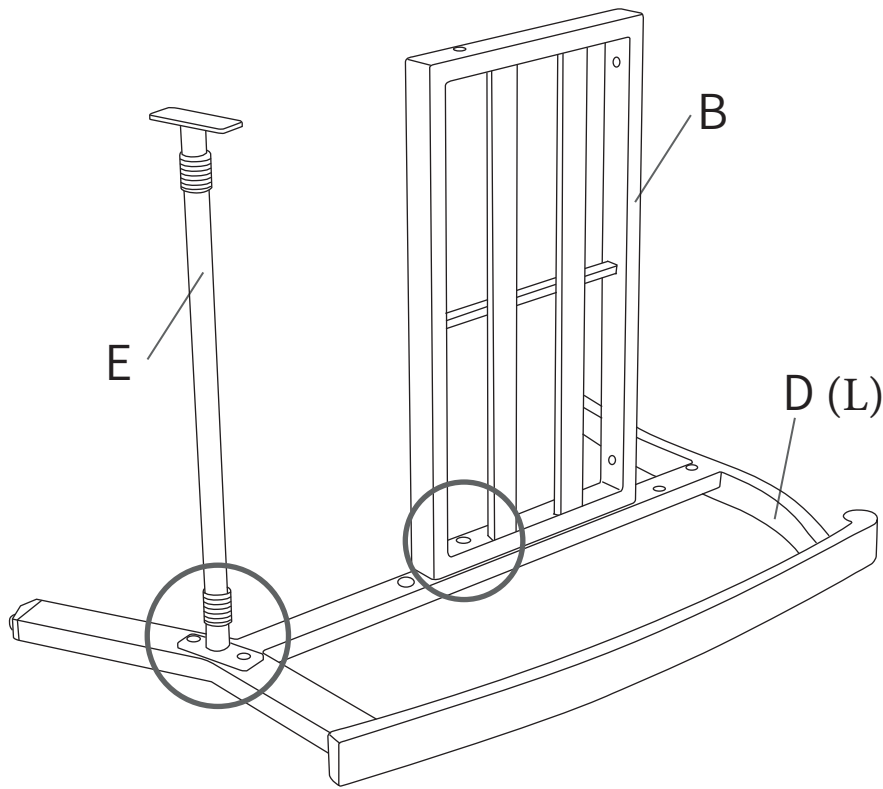
O 8PCS

Q 2PCS

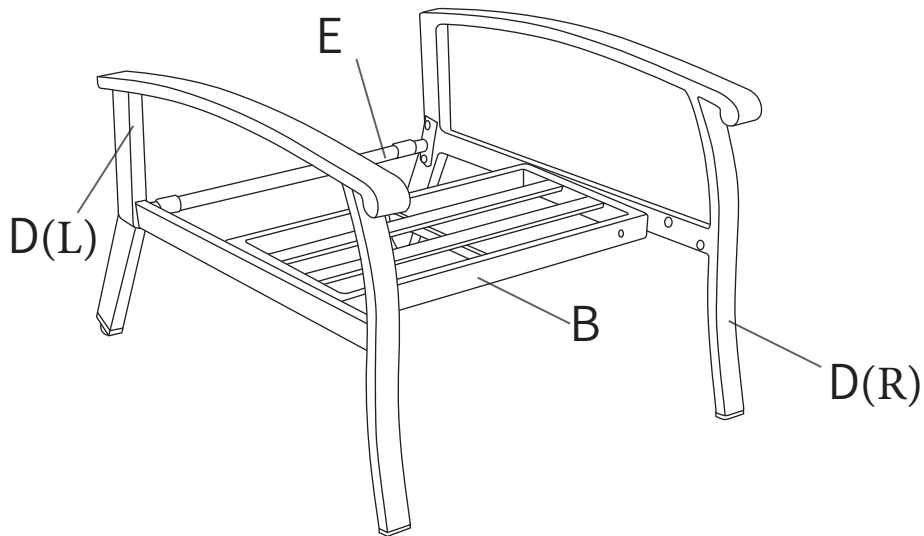
R 2PCS

S 2PCS

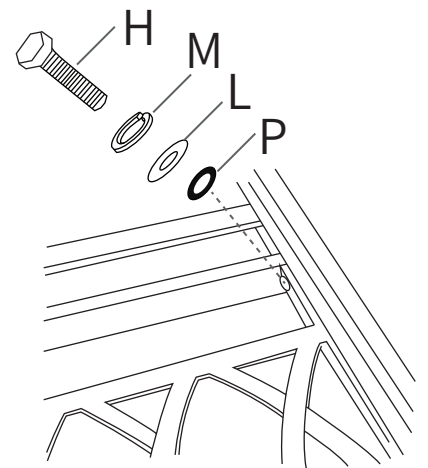
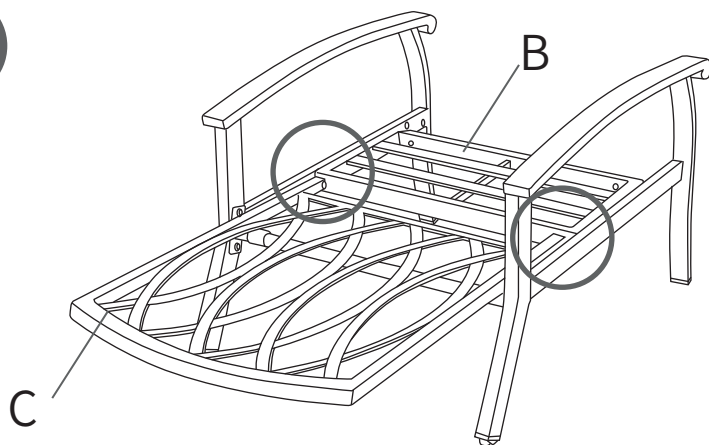
1



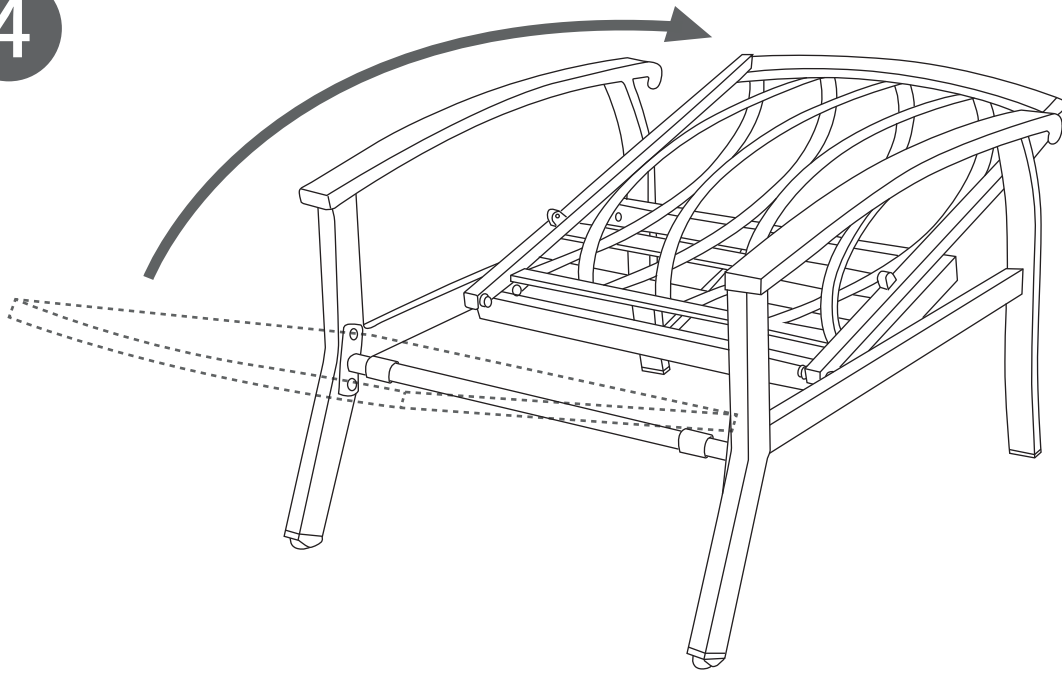
2



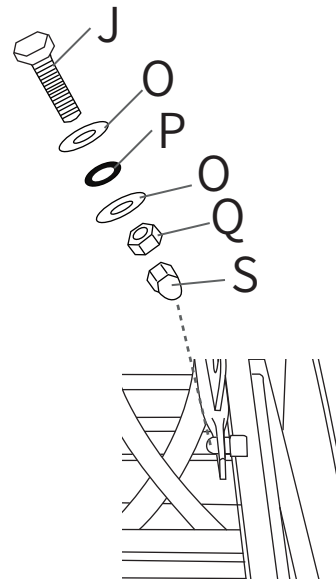
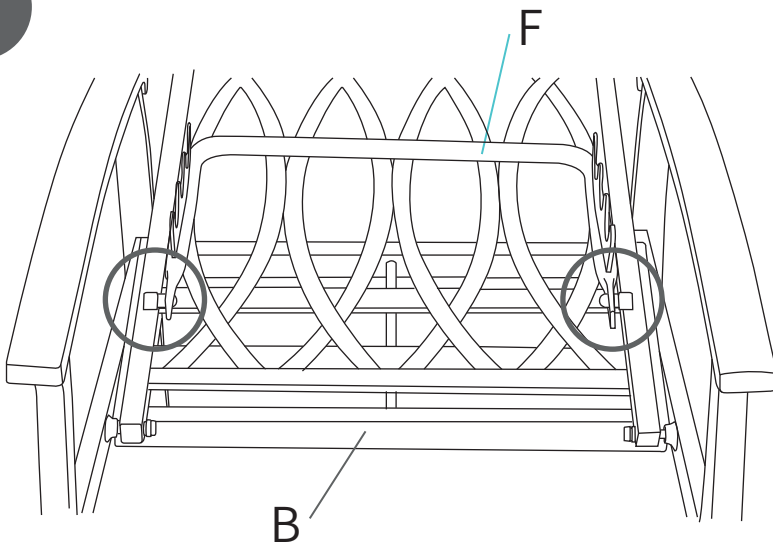
3



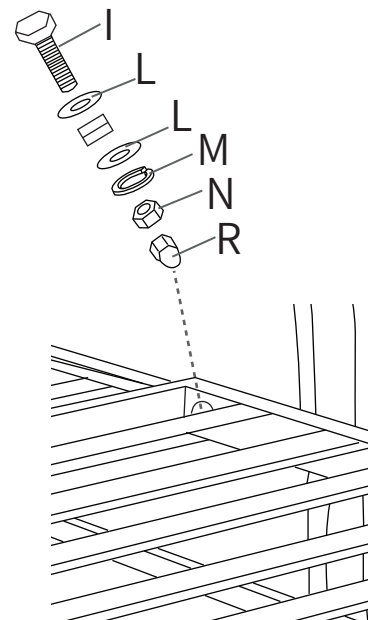
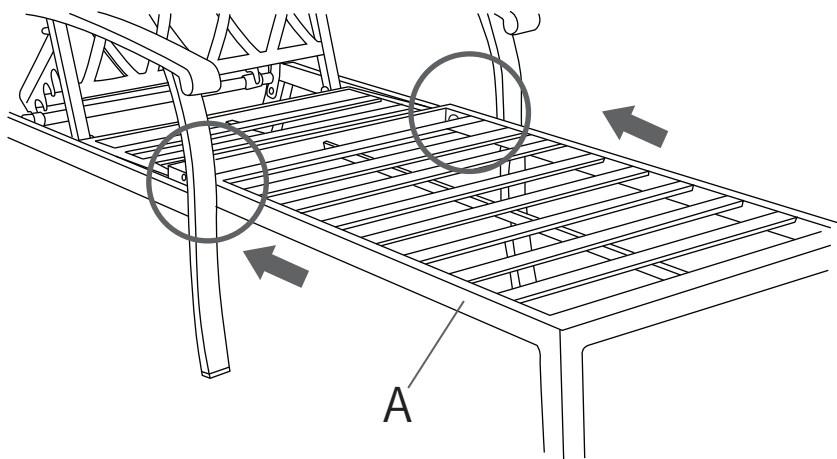
4



5



6



7



8

