

ASSEMBLY INSTRUCTIONS



Fine Furniture for every stage of life

Dining Chair

REVISION 0 : 01/09/2018
REVISION 1 : 01/03/2019
REVISION 2 : 06/05/2019
REVISION 3 : 09/23/2019
REVISION 4 : 04/21/2020

PAGE 1 OF 4

ASSEMBLY INSTRUCTIONS

ASSEMBLY TIPS:

1. Remove hardware from box and sort by size.
2. Please check to see that all hardware and parts are present prior to start of assembly.
3. Please follow attached instruction in the same sequence as numbered to assure fast and easy assembly.



WARNING !


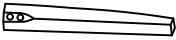

1. Don't attempt to repair or modify parts that are broken or defective. Please contact the store immediately.
2. This product is for home use only and not intended for commercial establishment.





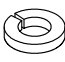


ASSEMBLY TIME

15 MINUTES

PARTS IDENTIFICATION

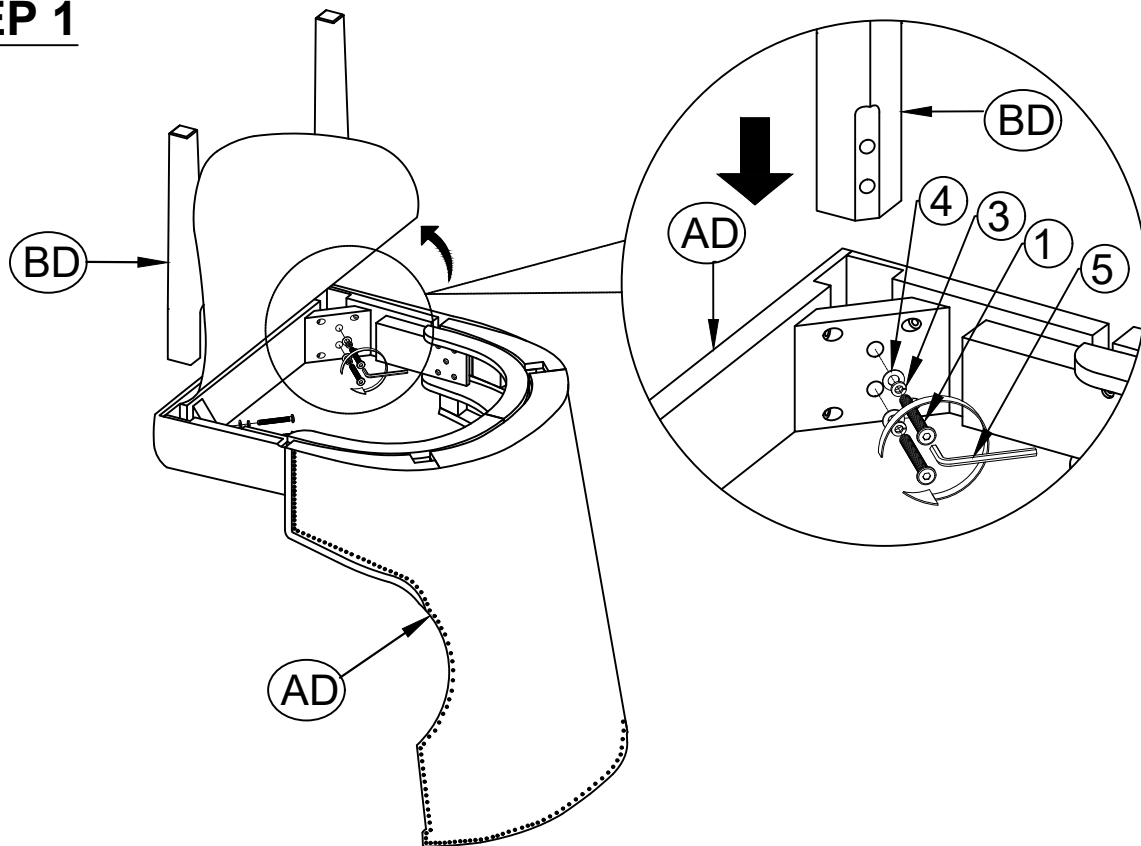
AD	SEAT AND BACK		1PC
BD	FRONT LEG		2PCS
CD	BACK LEG		2PCS

HARDWARE IDENTIFICATION

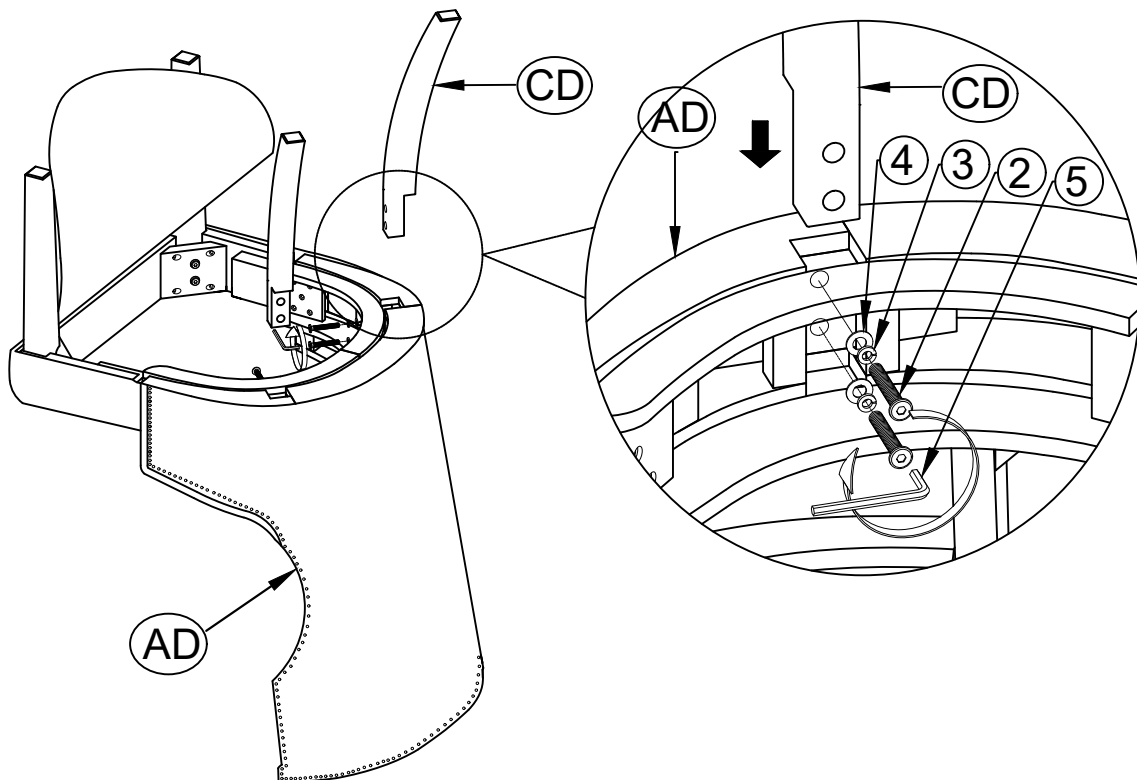
1	LONG BOLT (M8 x 60mm - BLK)		4PCS
2	SHORT BOLT (M8 x 50mm - BLK)		4PCS
3	LOCK WASHER (M8 - BLK)		8PCS
4	FLAT WASHER (M8 - BLK)		8PCS
5	ALLEN WRENCH (M5 - BLK)		1PC

ASSEMBLY INSTRUCTIONS

STEP 1



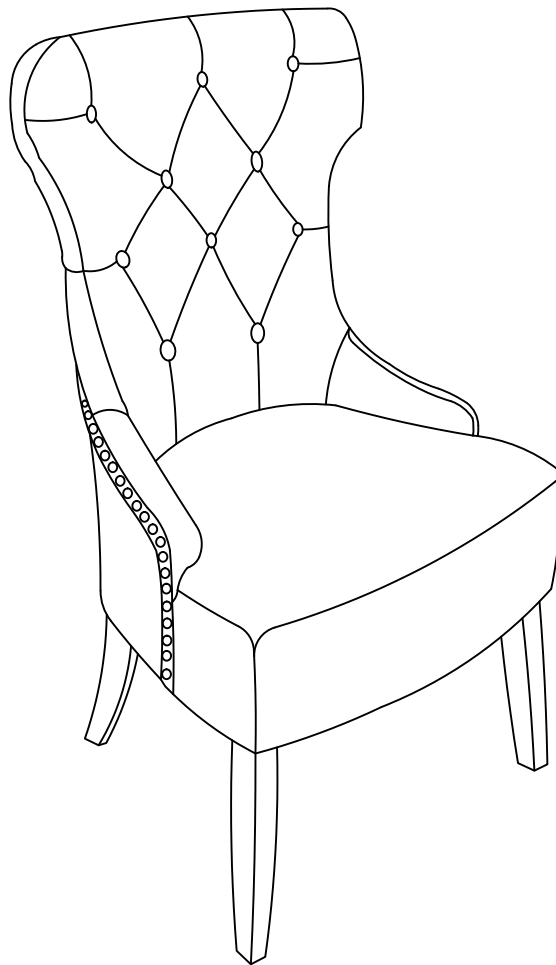
STEP 2

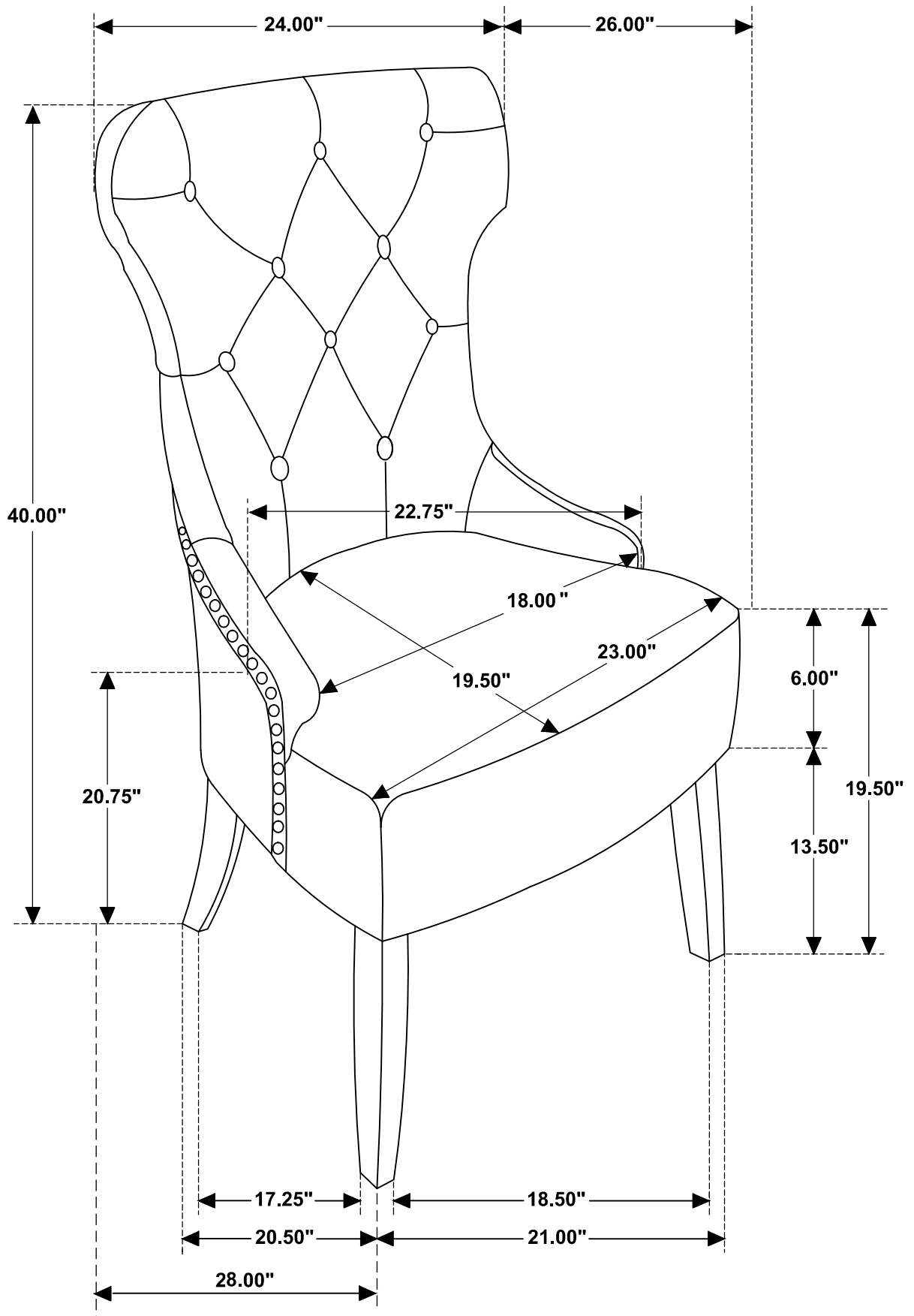


ASSEMBLY INSTRUCTIONS

STEP 3

COMPLETE





Note : Dimension tolerance $\pm 5\%$